



US00D725386S

(12) **United States Design Patent**
Cosson

(10) **Patent No.:** **US D725,386 S**
(45) **Date of Patent:** **** Mar. 31, 2015**

(54) **STORAGE CABINET**

(71) Applicant: **Societe BIC**, Clichy (FR)

(72) Inventor: **Didier Cosson**, Cergy (FR)

(73) Assignee: **Societe BIC**, Clichy (FR)

(**) Term: **14 Years**

(21) Appl. No.: **29/457,720**

(22) Filed: **Jun. 12, 2013**

(30) **Foreign Application Priority Data**

Dec. 12, 2012 (FR) 2012 5584

(51) **LOC (10) Cl.** **03-01**

(52) **U.S. Cl.**
USPC **D3/273; D3/276; D3/279**

(58) **Field of Classification Search**
CPC **A45C 7/00; A45C 5/14; A45C 13/28;**
A45C 5/03

USPC **D3/273, 276, 279, 289, 301, 283, 272,**
D3/278, 274, 281, 321, 902; D6/670;
190/18 A, 100-127; 206/286-287.1;
312/244, 249.87; D34/25

See application file for complete search history.

(56) **References Cited**

U.S. PATENT DOCUMENTS

D94,708 S * 2/1935 Piffath D3/284
D94,709 S * 2/1935 Piffath D6/443
D202,602 S * 10/1965 Armbruster D3/263
D264,896 S * 6/1982 Perkins D3/283
D311,622 S * 10/1990 Swig D34/25
D327,353 S * 6/1992 Shetterly D34/25
5,215,318 A * 6/1993 Capraro 280/1.5

D349,989 S * 8/1994 Shetterly D34/25
D357,600 S * 4/1995 Chen D6/443
D374,773 S * 10/1996 Domotor D3/279
D441,161 S * 4/2001 Shetterly D34/25
D476,153 S * 6/2003 Sadr et al. D3/279
6,609,598 B2 * 8/2003 Hsu 190/103
7,306,297 B2 * 12/2007 Woody 312/249.8
D565,294 S * 4/2008 Limber D3/269
7,500,547 B2 * 3/2009 Bettua et al. 190/115
7,766,161 B2 * 8/2010 Good 206/349
D628,384 S * 12/2010 McCarthy D3/289
D647,297 S * 10/2011 Chen D3/273
D662,319 S * 6/2012 Collins et al. D3/254
D672,164 S * 12/2012 Christopher D6/667
D699,441 S * 2/2014 Leblanc D3/321
2011/0162931 A1 * 7/2011 Collins et al. 190/8

* cited by examiner

Primary Examiner — Jennifer Rivard

Assistant Examiner — April Rivas

(74) *Attorney, Agent, or Firm* — Ohlandt, Greeley, Ruggiero & Perle, L.L.P.

(57) **CLAIM**

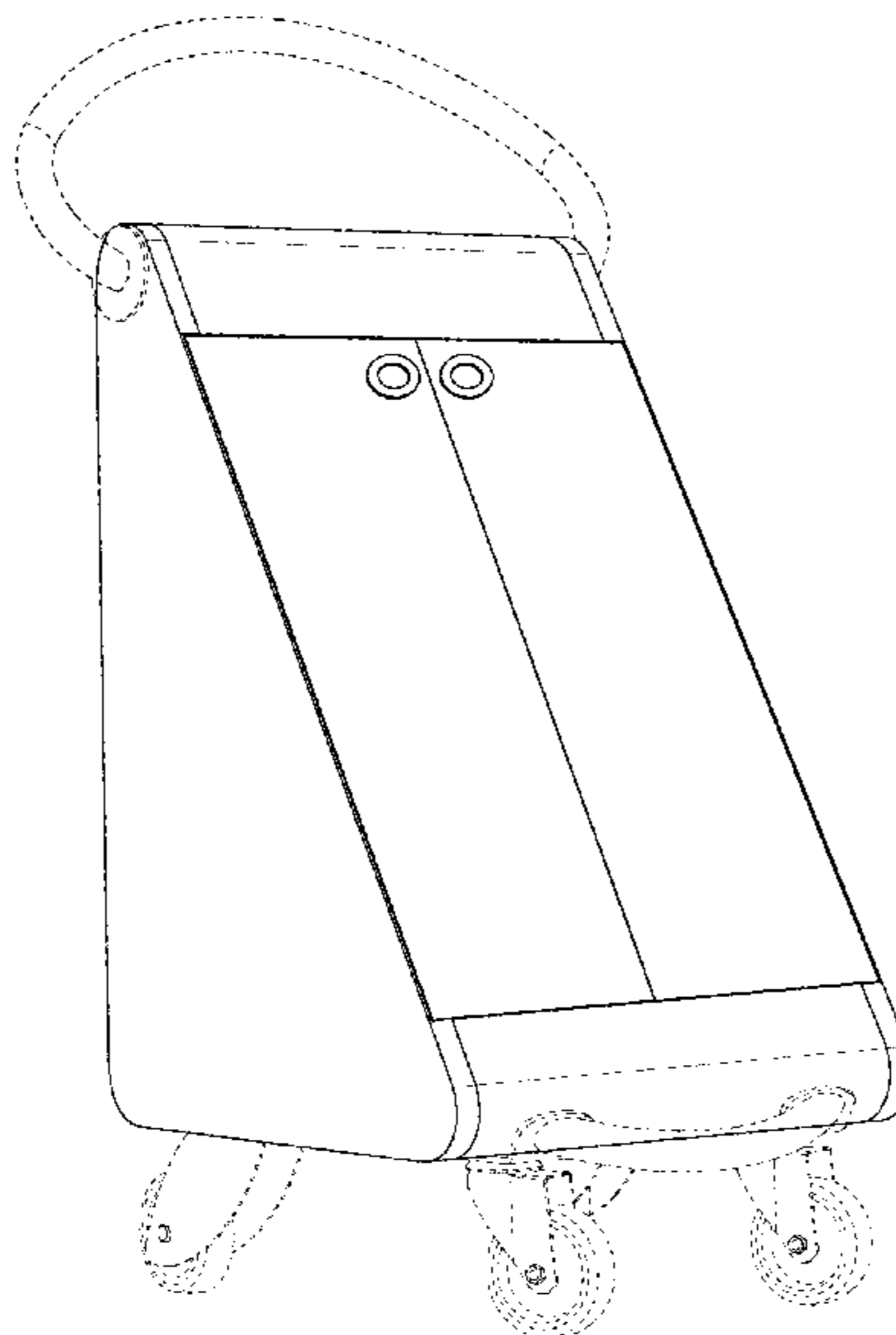
The ornamental design for a storage cabinet, as shown and described.

DESCRIPTION

FIG. 1 is a perspective view of an ornamental design for a storage cabinet to the present invention;
FIG. 2 is a top view thereof;
FIG. 3 is a front elevational view thereof;
FIG. 4 is a rear elevational view thereof;
FIG. 5 is a right side view thereof;
FIG. 6 is a left side view thereof; and,
FIG. 7 is a bottom view thereof.

The broken lines illustrate portions of the storage cabinet and form no part of the claimed design.

1 Claim, 7 Drawing Sheets



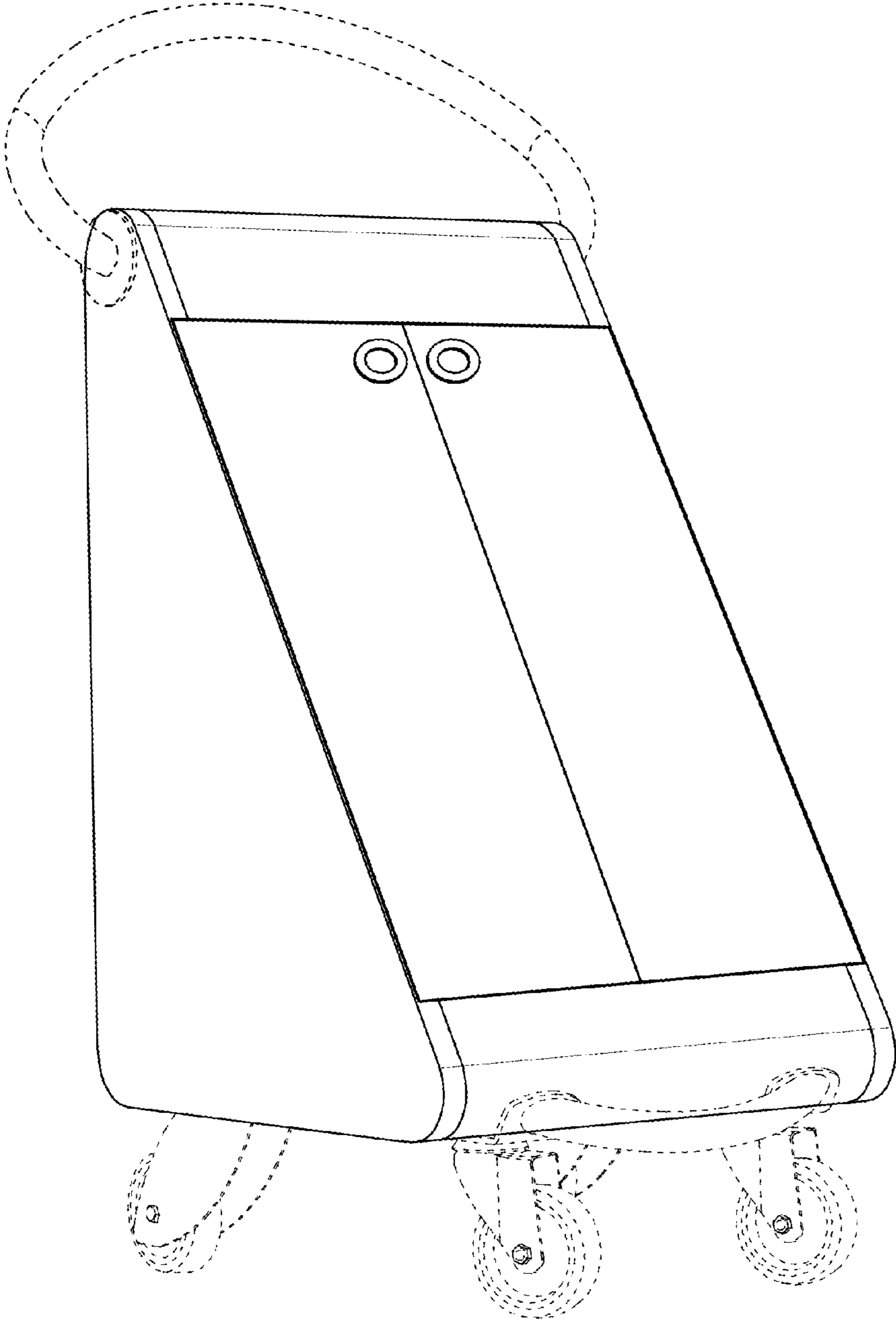


FIG. 1

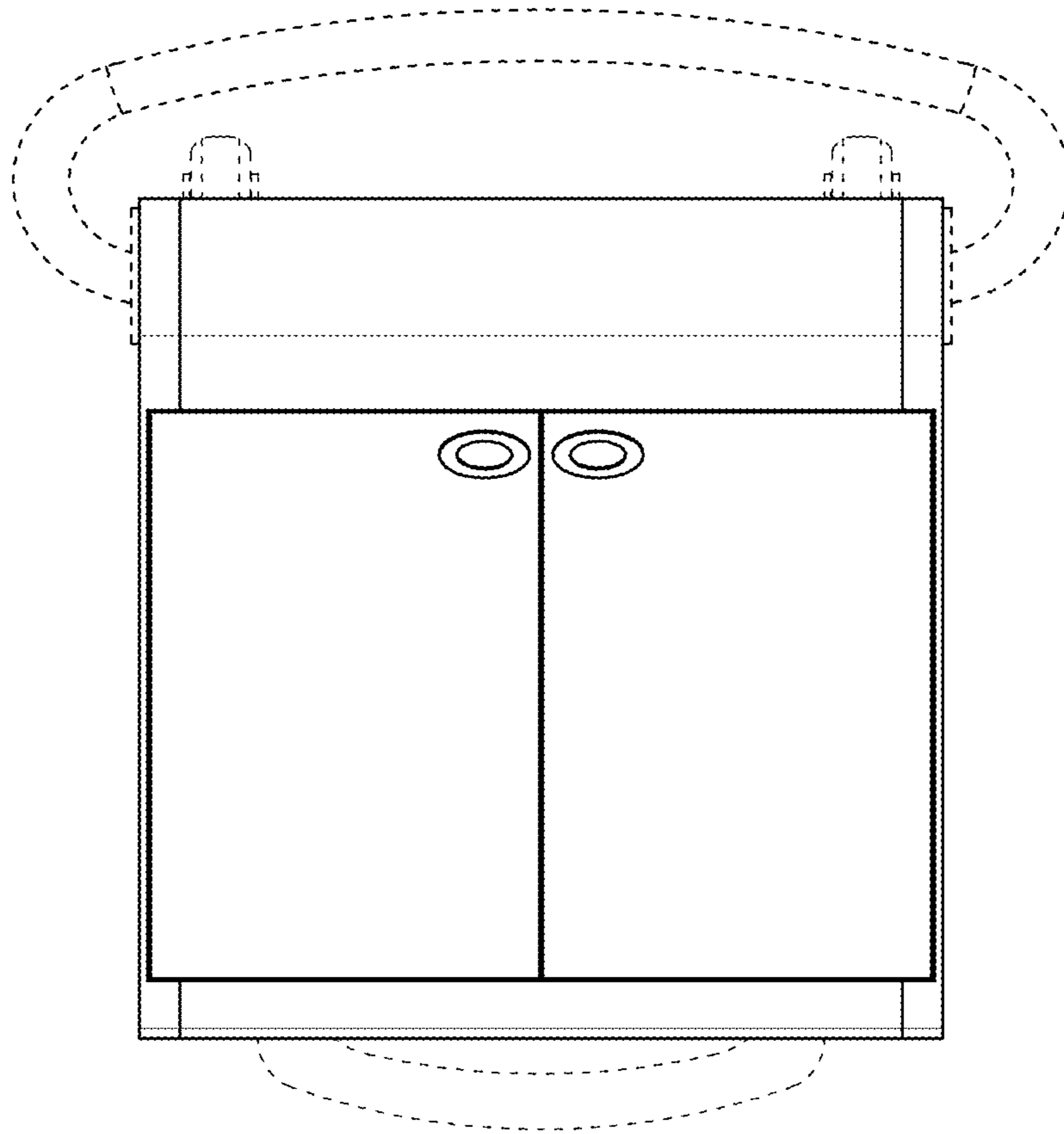


FIG. 2

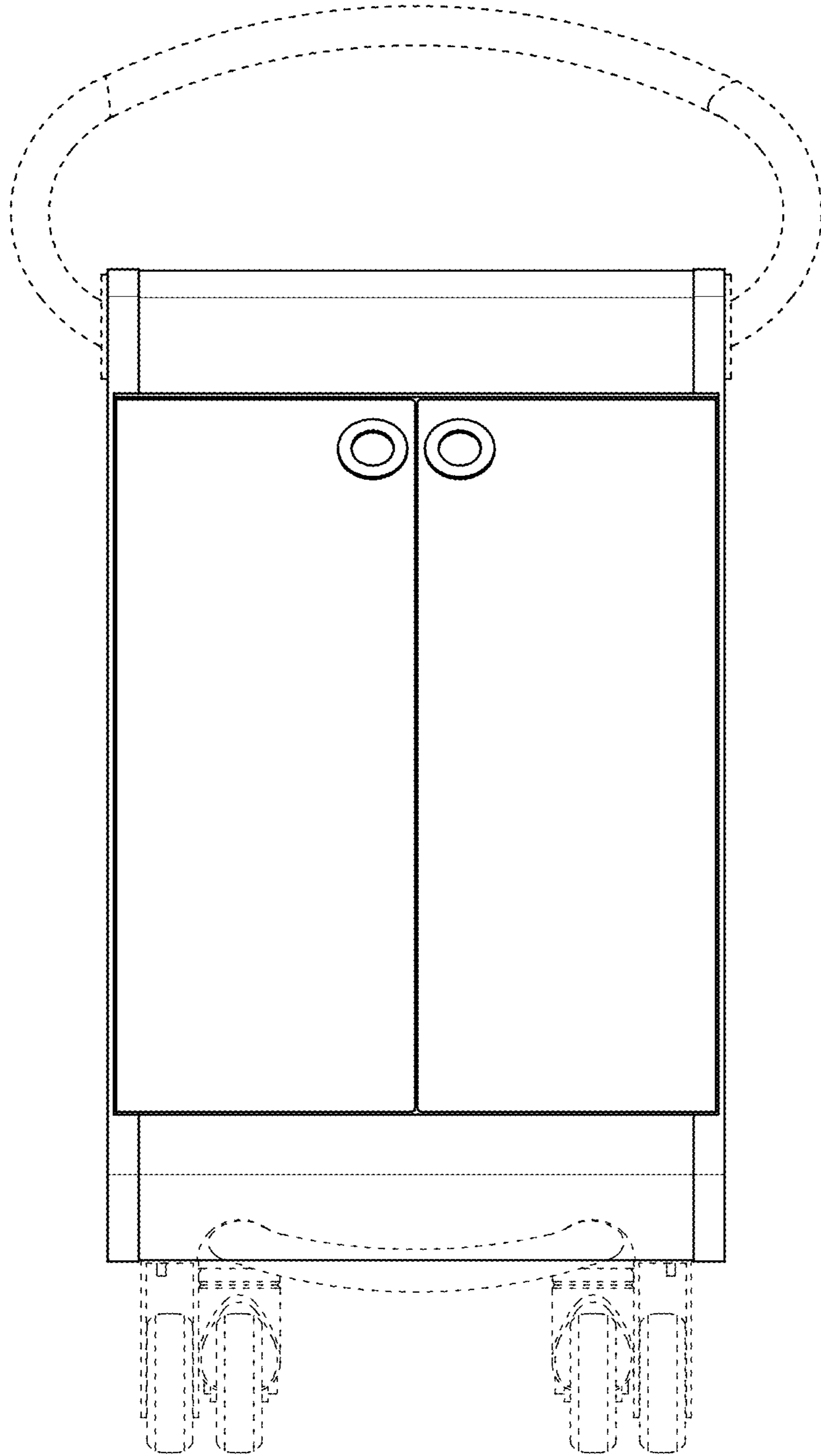


FIG. 3

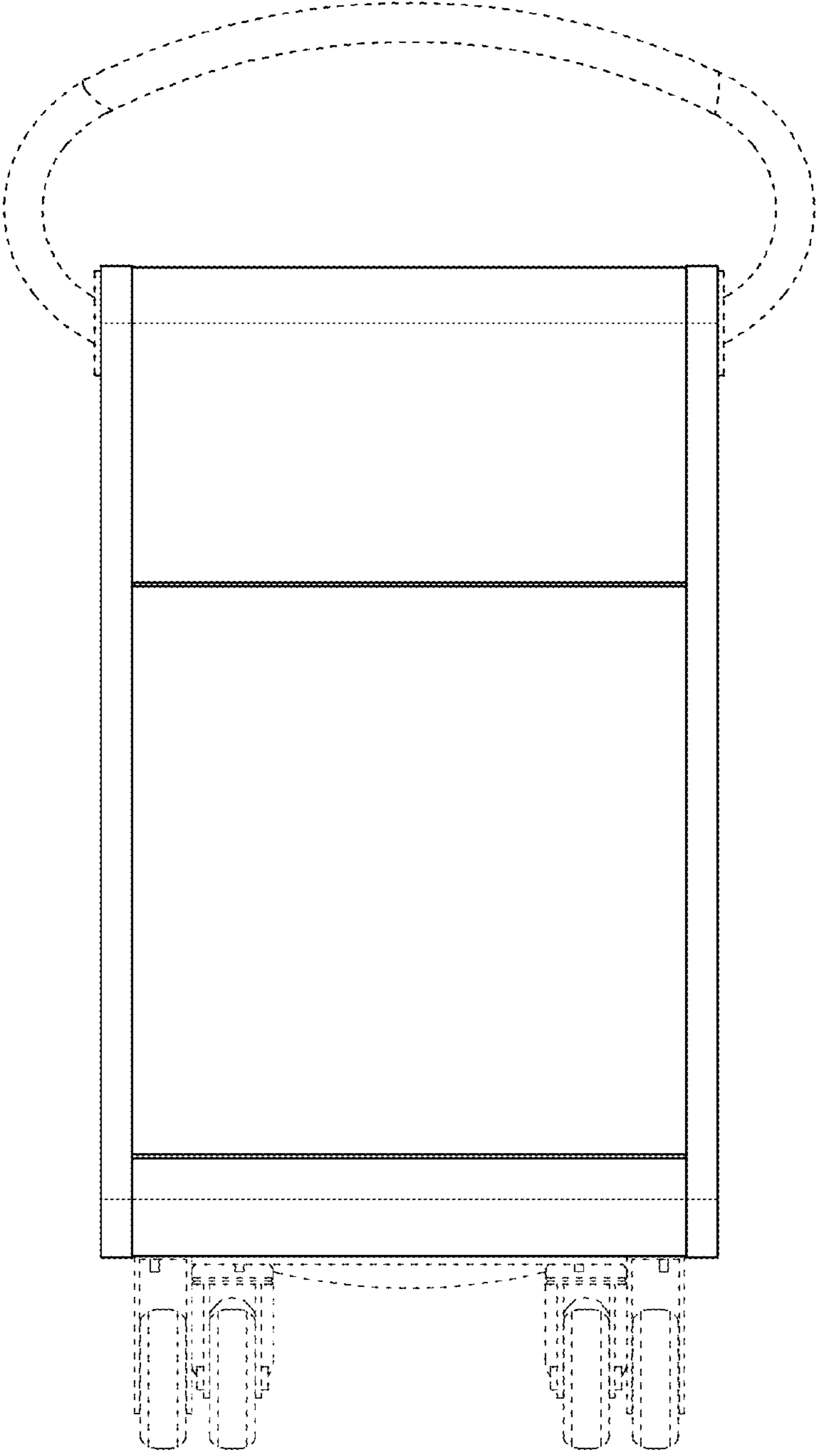


FIG. 4

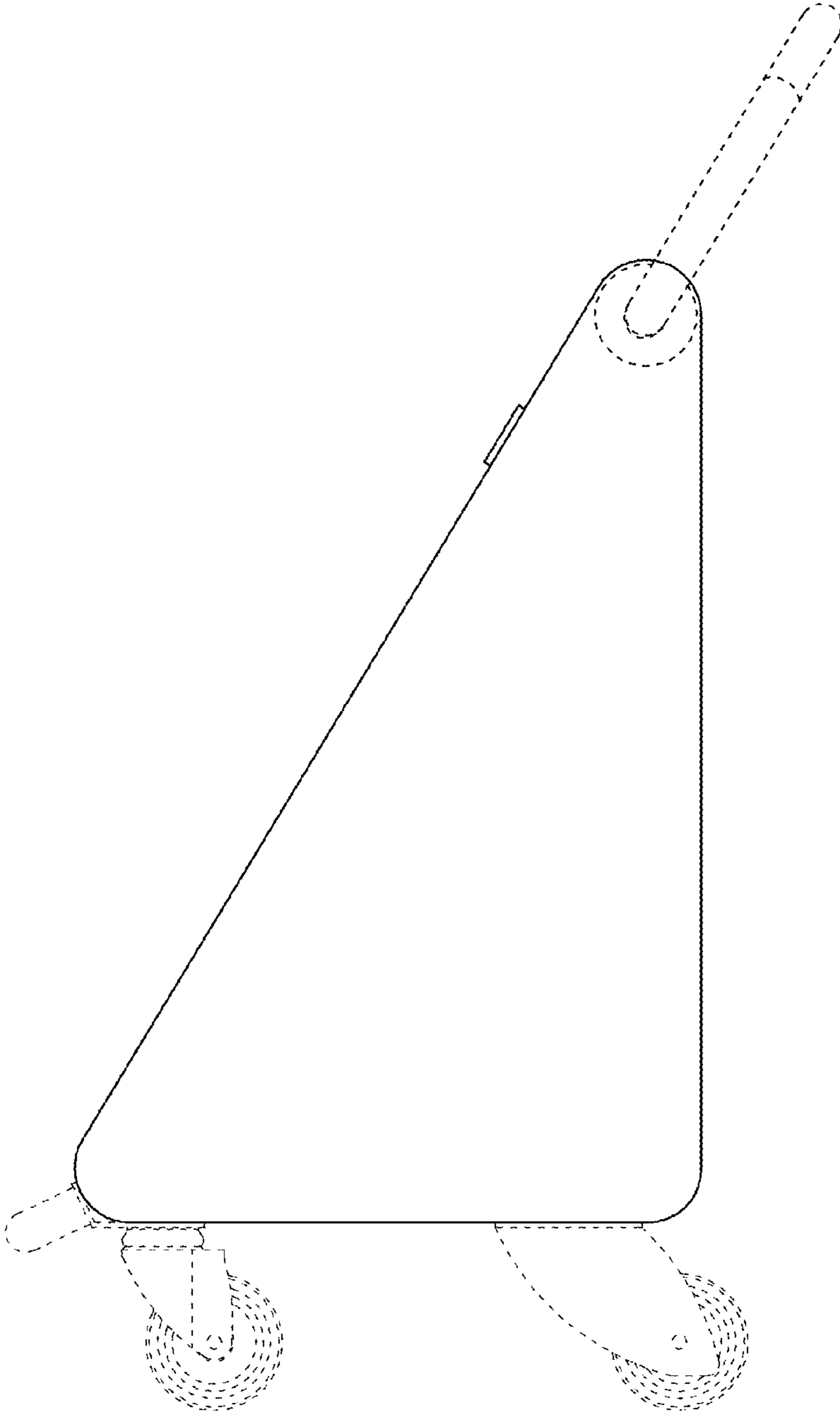


FIG. 5

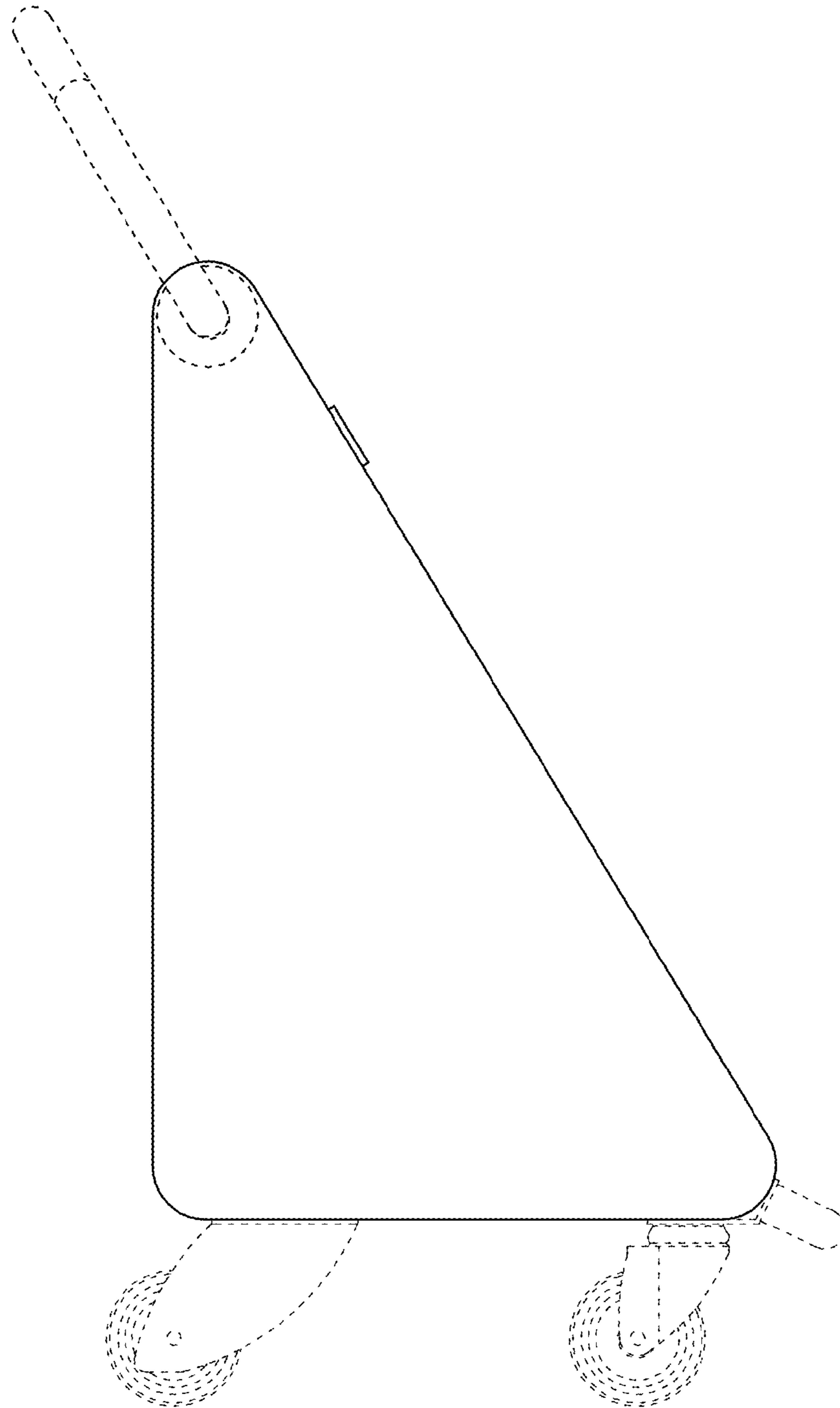


FIG. 6

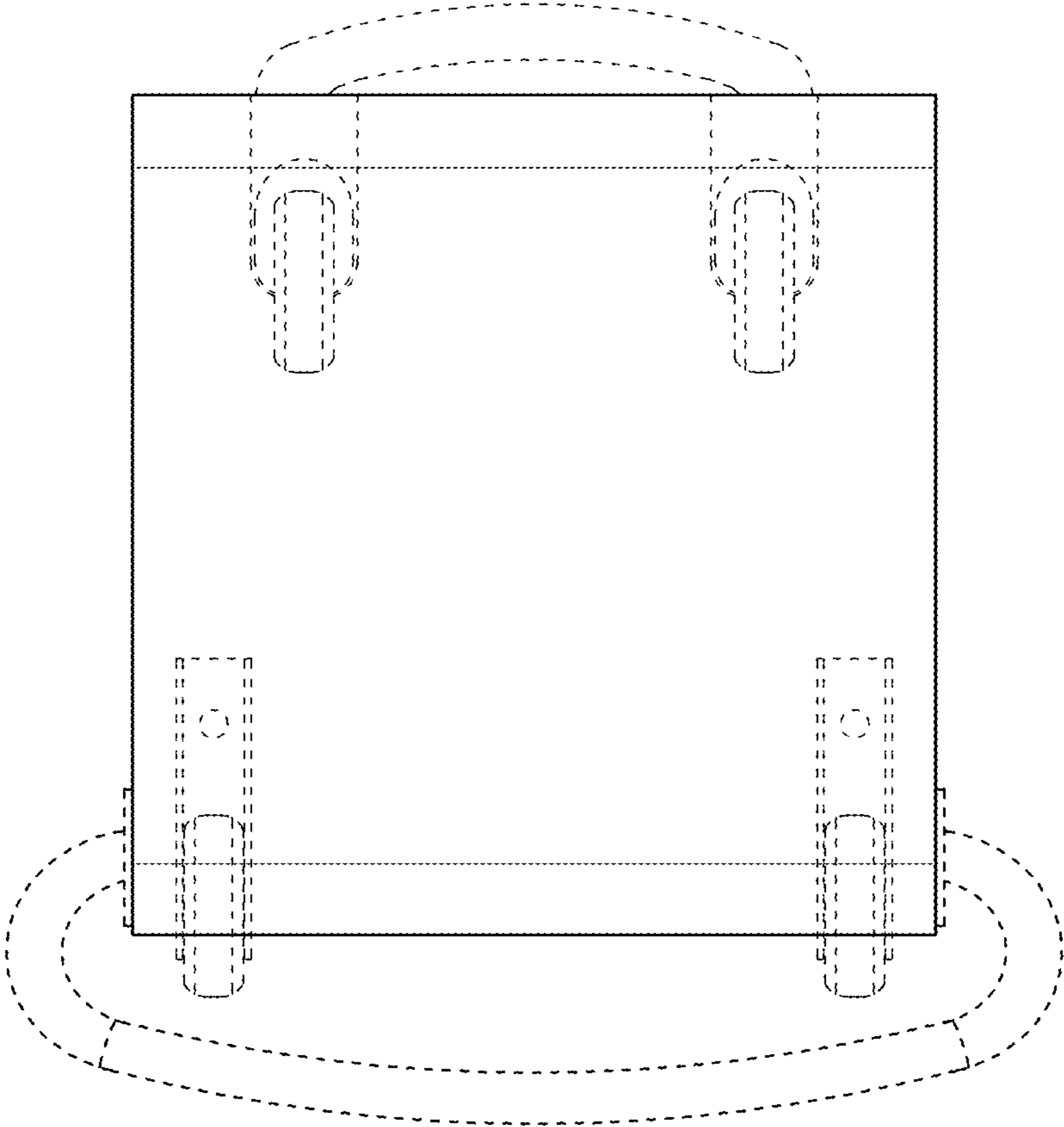


FIG. 7