

US00D725385S

(12) **United States Design Patent**
Ming

(10) **Patent No.:** **US D725,385 S**

(45) **Date of Patent:** **** Mar. 31, 2015**

(54) **EMERGENCY IDENTIFICATION CARD
HOLDER**

(71) Applicant: **Shawn Hubert Ming**, Alberton (ZA)

(72) Inventor: **Shawn Hubert Ming**, Alberton (ZA)

(**) Term: **14 Years**

(21) Appl. No.: **29/475,043**

(22) Filed: **Nov. 27, 2013**

(51) **LOC (10) Cl.** **03-01**

(52) **U.S. Cl.**
USPC **D3/247**

(58) **Field of Classification Search**
CPC A45C 1/06
USPC D3/247, 249-253; 150/132, 136-137,
150/146

See application file for complete search history.

(56) **References Cited**

U.S. PATENT DOCUMENTS

D510,187 S * 10/2005 Chan D3/247
D622,958 S * 9/2010 Moore D3/247
D628,797 S * 12/2010 Kalbach D3/247

* cited by examiner

Primary Examiner — Holly Baynham
(74) *Attorney, Agent, or Firm* — The Webb Law Firm

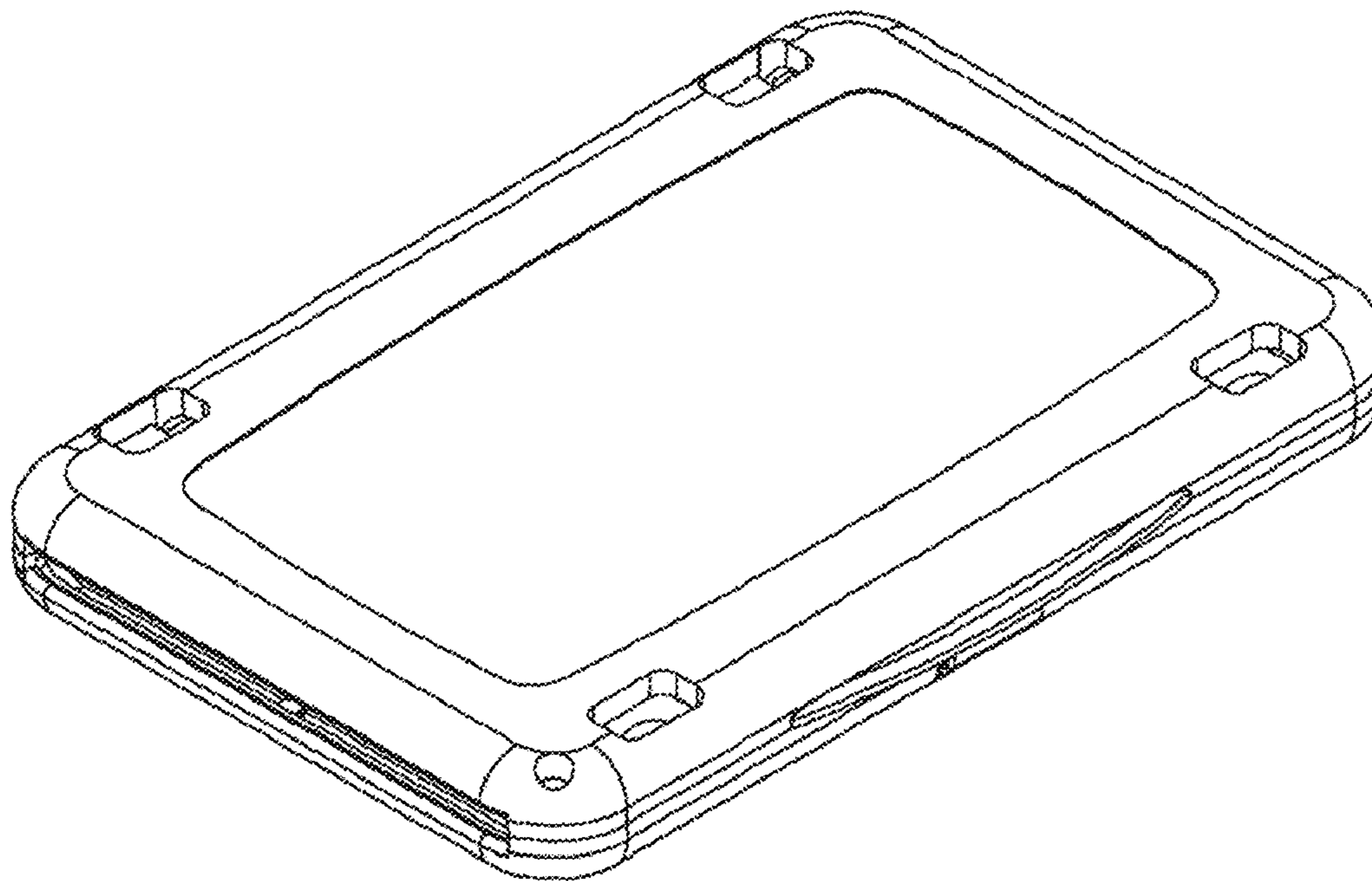
(57) **CLAIM**

The ornamental design for an emergency identification card holder, as shown and described.

DESCRIPTION

FIG. 1 is a top perspective view of an emergency identification card holder showing my new design; FIG. 2 is a bottom perspective view thereof; FIG. 3 is a front view thereof; FIG. 4 is a right side view thereof; FIG. 5 is a top view thereof; FIG. 6 is a bottom view thereof; and, FIG. 7 is a top perspective view thereof in an open condition. The left side view is not provided, as the left side view is a mirror image of the corresponding right side view.

1 Claim, 3 Drawing Sheets



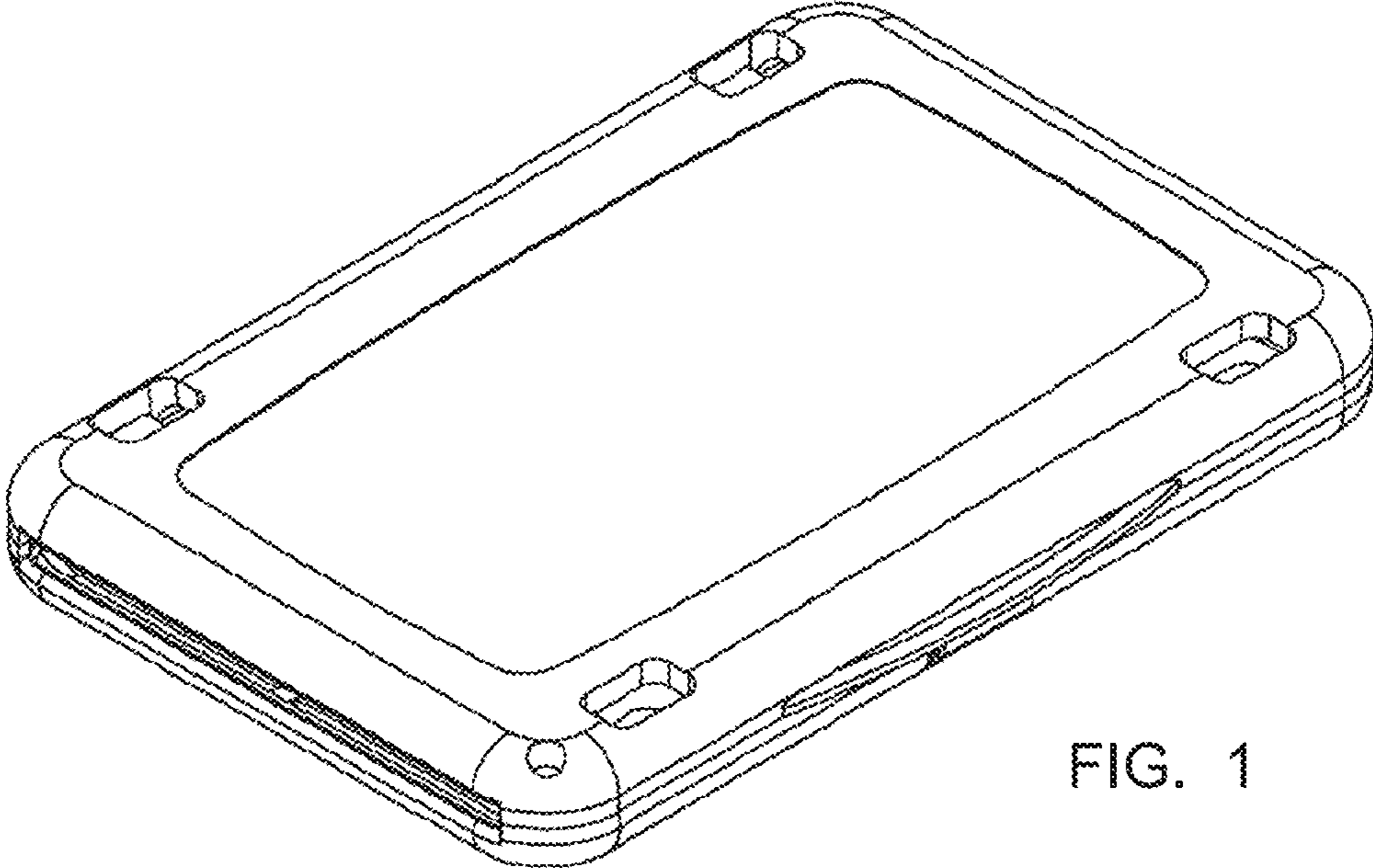


FIG. 1

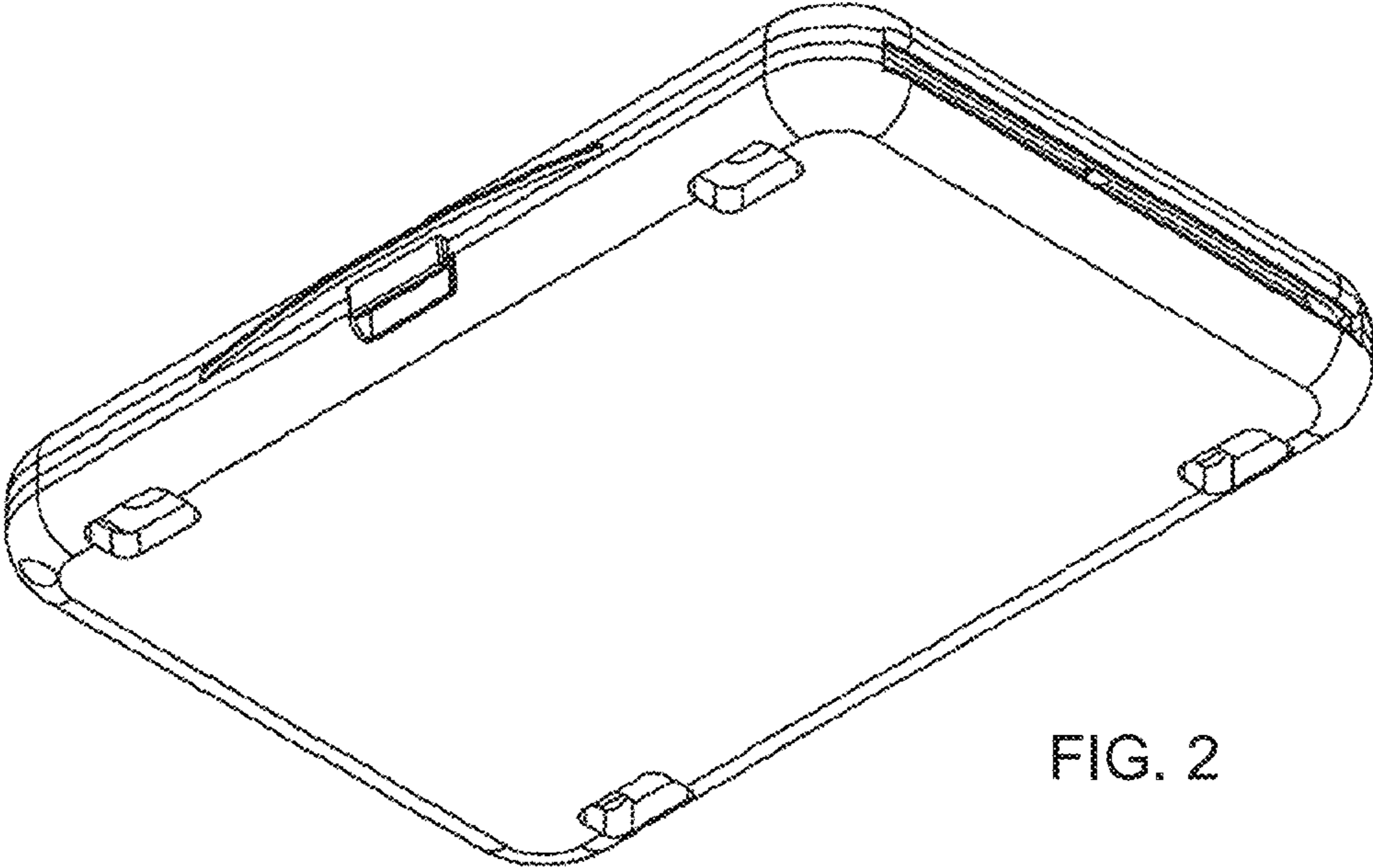


FIG. 2

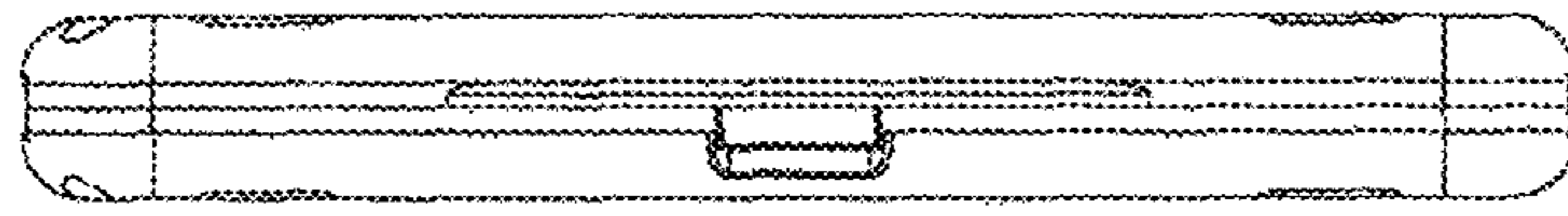


FIG. 3

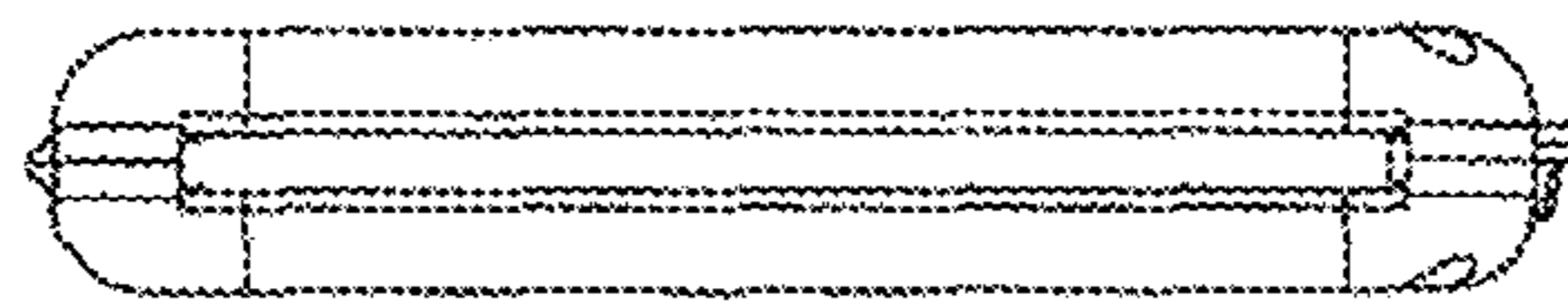


FIG. 4

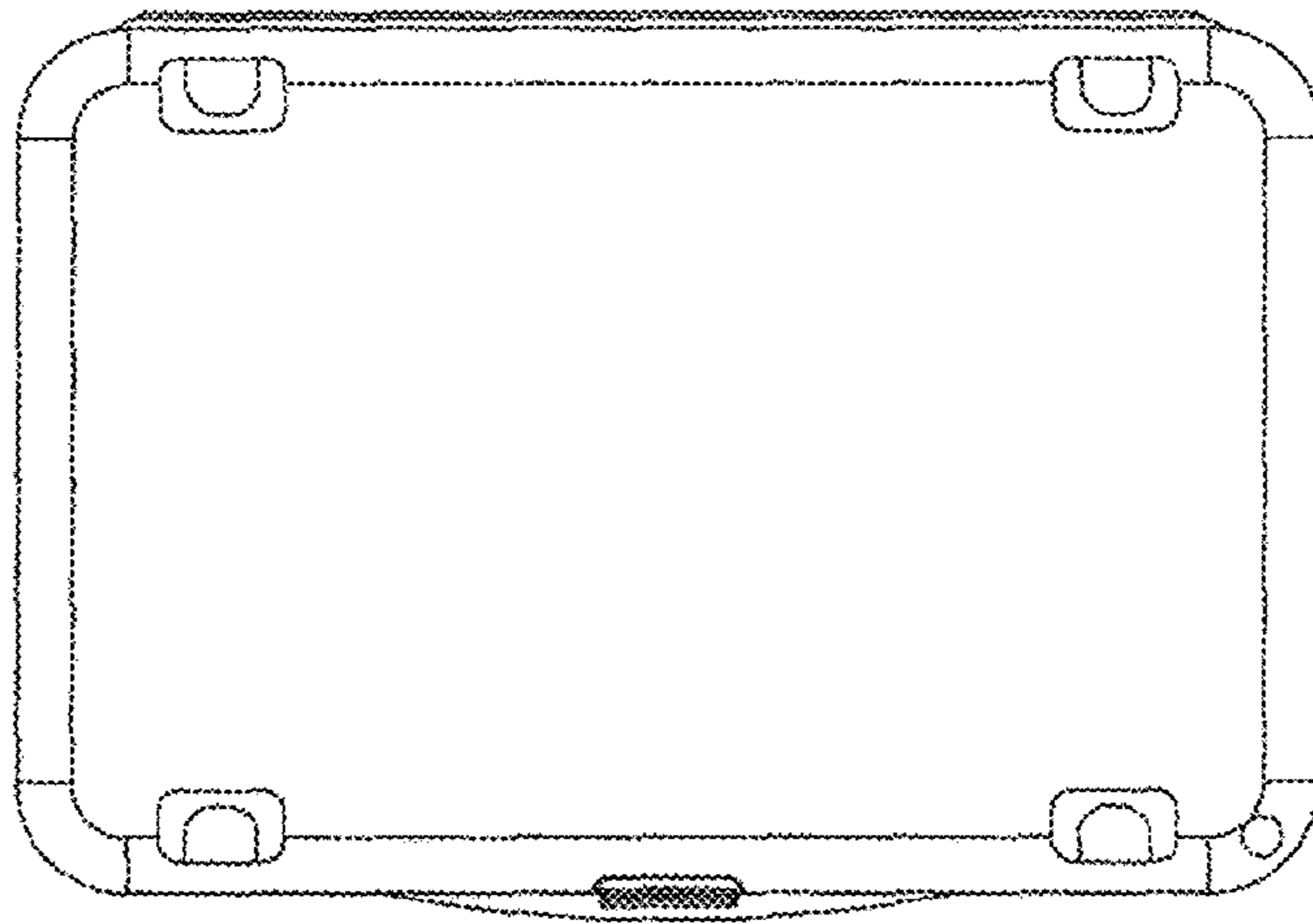


FIG. 5

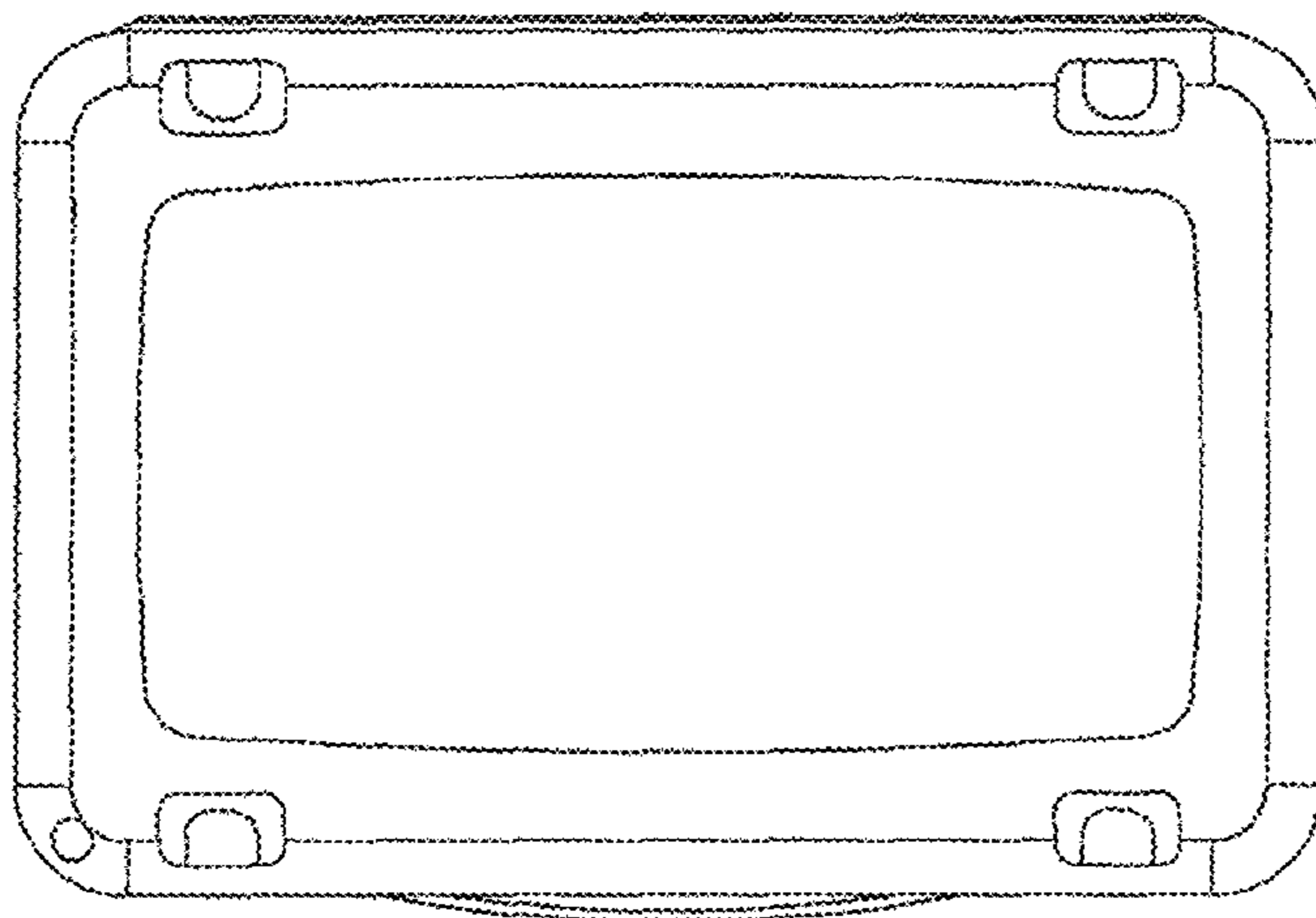


FIG. 6

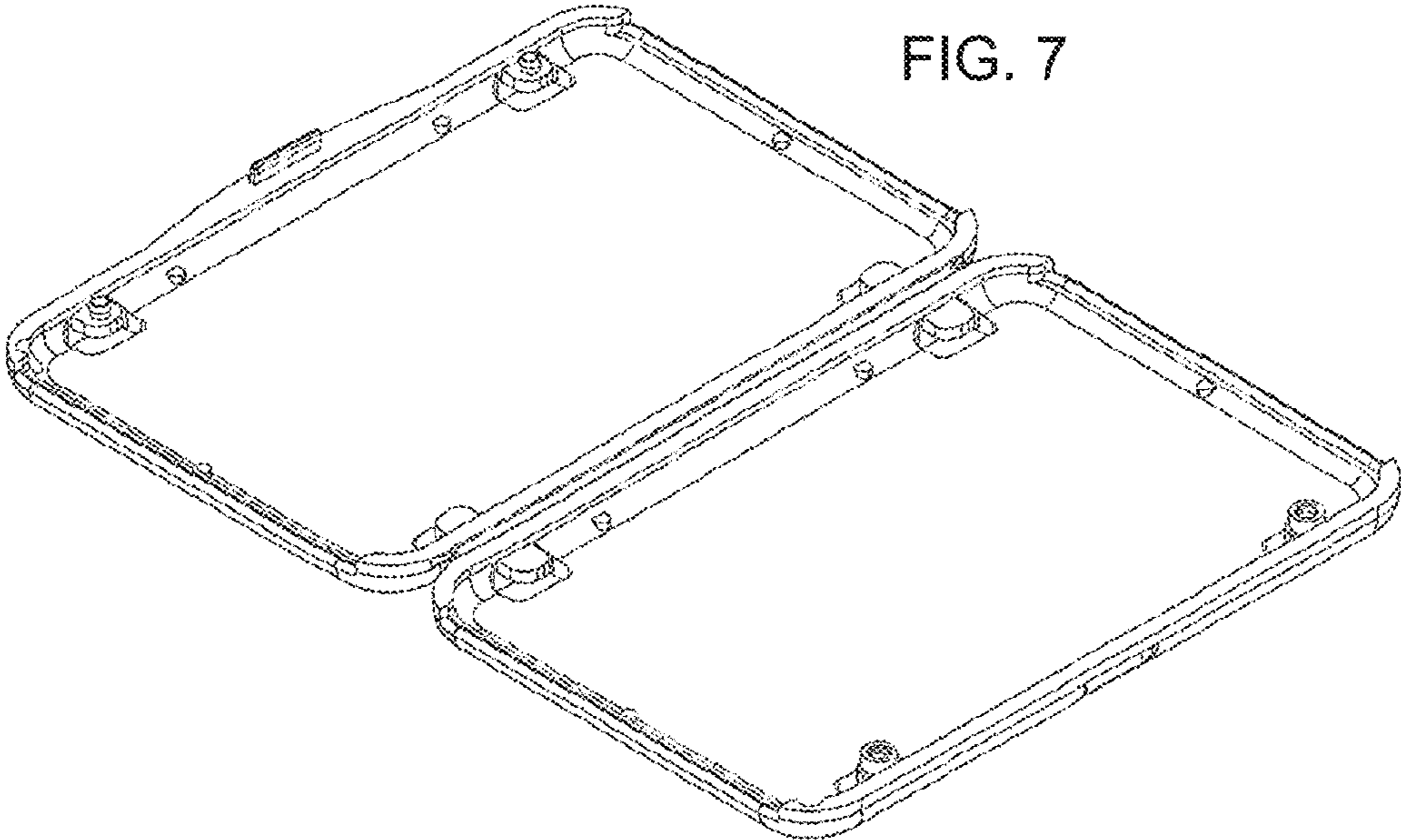


FIG. 7