



US00D725384S

(12) **United States Design Patent**
Willows et al.

(10) **Patent No.:** **US D725,384 S**
(45) **Date of Patent:** **** Mar. 31, 2015**

- (54) **PAIR OF BOTTLE HOLSTERS**
- (71) Applicant: **Amphipod, Inc.**, Seattle, WA (US)
- (72) Inventors: **Keith S. Willows**, Seattle, WA (US);
June A. Angus, Seattle, WA (US);
Antonio Del Rosario, Bellevue, WA (US)
- (73) Assignee: **Amphipod, Inc.**, Seattle, WA (US)
- (**) Term: **14 Years**
- (21) Appl. No.: **29/466,777**
- (22) Filed: **Sep. 11, 2013**
- (51) **LOC (10) Cl.** **03-99**
- (52) **U.S. Cl.**
USPC **D3/229; D9/455**
- (58) **Field of Classification Search**
USPC D9/455, 456, 415, 434, 751, 753;
D8/300, 395, 396; D3/202, 215, 218,
D3/226, 228, 229, 303; 244/148.4, 148.5,
244/148.6, 219, 222, 223, 240-241, 250,
244/267, 269, 660, 664, 677, 682, 901, 904,
244/919; 455/66.1; D2/712
See application file for complete search history.

(56) **References Cited**

U.S. PATENT DOCUMENTS

2,537,864	A	*	1/1951	Skaer	224/159
D240,059	S	*	5/1976	Lewis	D3/221
D242,402	S	*	11/1976	Bratene	D3/221
D251,758	S	*	5/1979	Penrod	D3/229
D258,021	S	*	1/1981	Bonaventura	D3/221
D259,946	S	*	7/1981	Bianchi et al.	D3/222
D259,947	S	*	7/1981	Bianchi et al.	D3/222
D290,278	S	*	6/1987	Sodell	D21/483

5,427,290	A		6/1995	Thatcher	
5,722,574	A		3/1998	Pratt	
D406,945	S	*	3/1999	Callihan D3/303

(Continued)

OTHER PUBLICATIONS

Belt Water Bottles (Belt Zara Images). beltzaraimages.blogspot.com [online] 7 pages. Uploaded as early as Jul. 2013 [retrieved on Oct. 21, 2014]. Retrieved from Internet: <http://beltzaraimages.blogspot.com/2013/07/belt-water-bottles.html>.*

(Continued)

Primary Examiner — Susan Bennett Hattan

Assistant Examiner — Marie Fast Horse

(74) *Attorney, Agent, or Firm* — Lowe Graham Jones PLLC

(57) **CLAIM**

We claim the ornamental design for a pair of bottle holsters, as shown and described.

DESCRIPTION

FIG. 1 is a perspective view of a pair of bottle holsters, showing our new design.

FIG. 2 is a front view of the pair of bottle holsters.

FIG. 3 is a top view of the pair of bottle holsters.

FIG. 4 is a left side view of the pair of bottle holsters.

FIG. 5 is a right side view of the pair of bottle holsters.

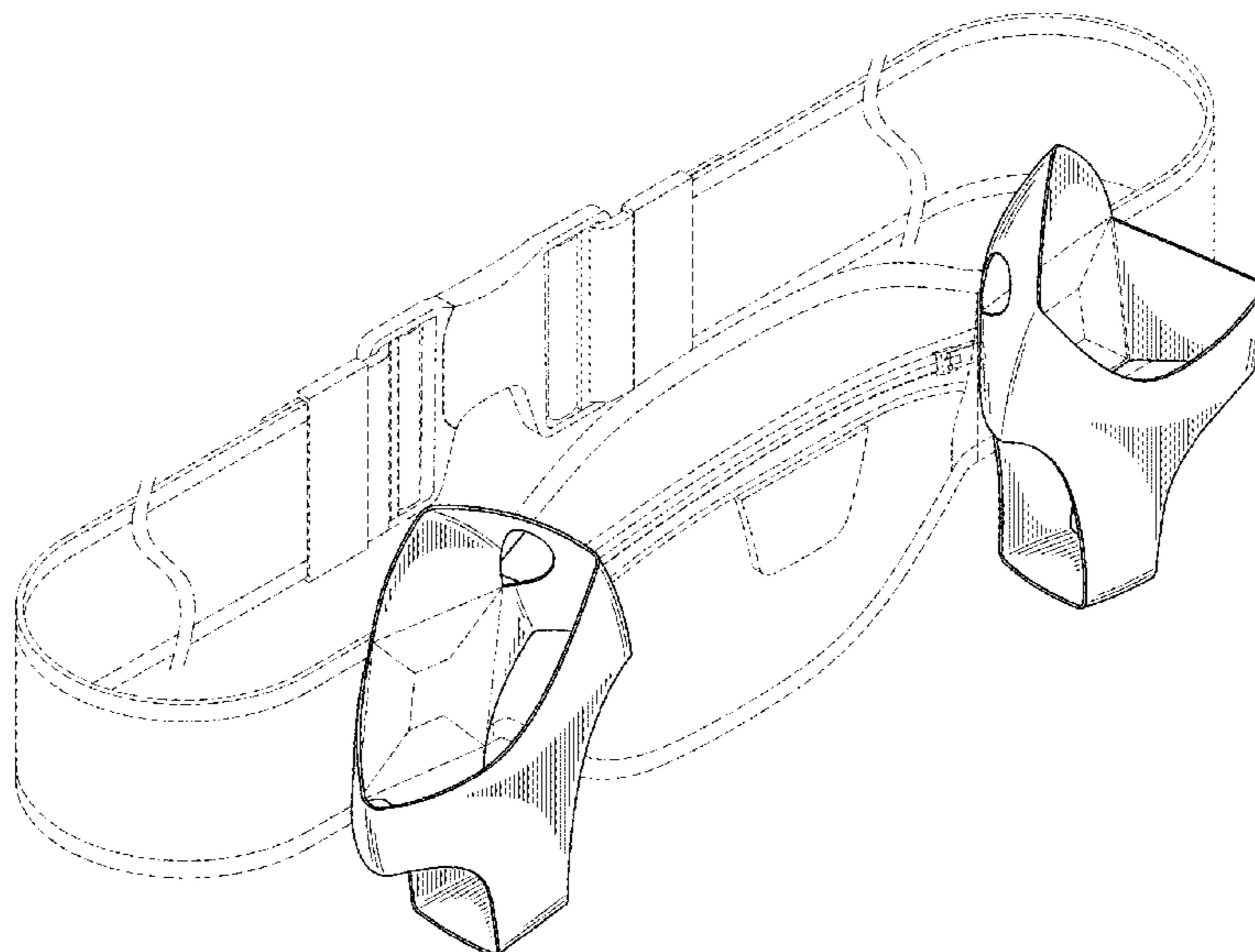
FIG. 6 is a back view of the pair of bottle holsters; and,

FIG. 7 is a bottom view of the pair of bottle holsters.

The features shown in broken lines that include a belt, belt clips, pouch with zipper, and bottles depict environmental subject matter only and form no part of the claimed design; the broken lines that show the interior seams connecting the holsters to the belt depict portions of the pair of bottle holsters that form no part of the claimed design.

Aspects of the back side of the holsters that are not shown are unornamented and form no part of the claimed invention.

1 Claim, 6 Drawing Sheets



(56)

References Cited

U.S. PATENT DOCUMENTS

D409,380 S 5/1999 Angus et al.
 D415,892 S 11/1999 Angus et al.
 D427,097 S * 6/2000 Garvey et al. D10/104.1
 6,182,872 B1 2/2001 Six
 D444,295 S * 7/2001 Malik et al. D3/224
 D444,616 S * 7/2001 Khan D2/712
 D445,885 S * 7/2001 Aiken D23/367
 D448,925 S 10/2001 Willows et al.
 D458,020 S * 6/2002 Glaser et al. D3/222
 D458,021 S 6/2002 Willows et al.
 D458,745 S * 6/2002 Glaser et al. D3/222
 D467,079 S 12/2002 Willows et al.
 D468,902 S 1/2003 Willows et al.
 D483,942 S 12/2003 Willows et al.
 D484,307 S 12/2003 Willows et al.
 D485,679 S * 1/2004 Greene D3/218
 6,698,636 B2 3/2004 Angus et al.
 D500,591 S * 1/2005 Greene D3/218
 D505,008 S * 5/2005 Malik D3/224
 D509,354 S * 9/2005 Tannenhauser D3/229
 6,971,562 B2 12/2005 Willows et al.
 D574,146 S * 8/2008 Eisenbraun D3/218
 7,520,412 B2 4/2009 Willows et al.
 D593,859 S * 6/2009 Barnum D9/455

D595,953 S * 7/2009 Collins D3/215
 D600,007 S * 9/2009 Levis et al. D3/218
 7,845,506 B2 12/2010 Willows et al.
 8,152,011 B2 4/2012 Willows et al.
 D680,326 S * 4/2013 Willows et al. D3/226
 D680,327 S 4/2013 Willows et al.
 D681,326 S 5/2013 Willows et al.
 D685,187 S 7/2013 Willows et al.
 D690,938 S 10/2013 Willows et al.
 D692,665 S 11/2013 Willows et al.
 D695,009 S * 12/2013 Yoshii D3/224
 D706,028 S * 6/2014 Willows et al. D3/224
 D714,555 S * 10/2014 Feder D3/328
 2002/0043545 A1 * 4/2002 Tang 224/600
 2005/0221762 A1 * 10/2005 Greene 455/66.1
 2009/0302083 A1 * 12/2009 Eisele 224/684
 2012/0228345 A1 9/2012 Willows et al.

OTHER PUBLICATIONS

Nathan Speed 2 Belt 20 Ounce (hydration accessories). roadrunnersports.com [online] 3 pages. Uploaded as early as Apr. 25, 2013 [retrieved on Oct. 21, 2014]. Retrieved from Internet: <<http://www.roadrunnersports.com/rrs/products/NTN176/nathan-speed-2-belt-20-ounce/>>.*

* cited by examiner

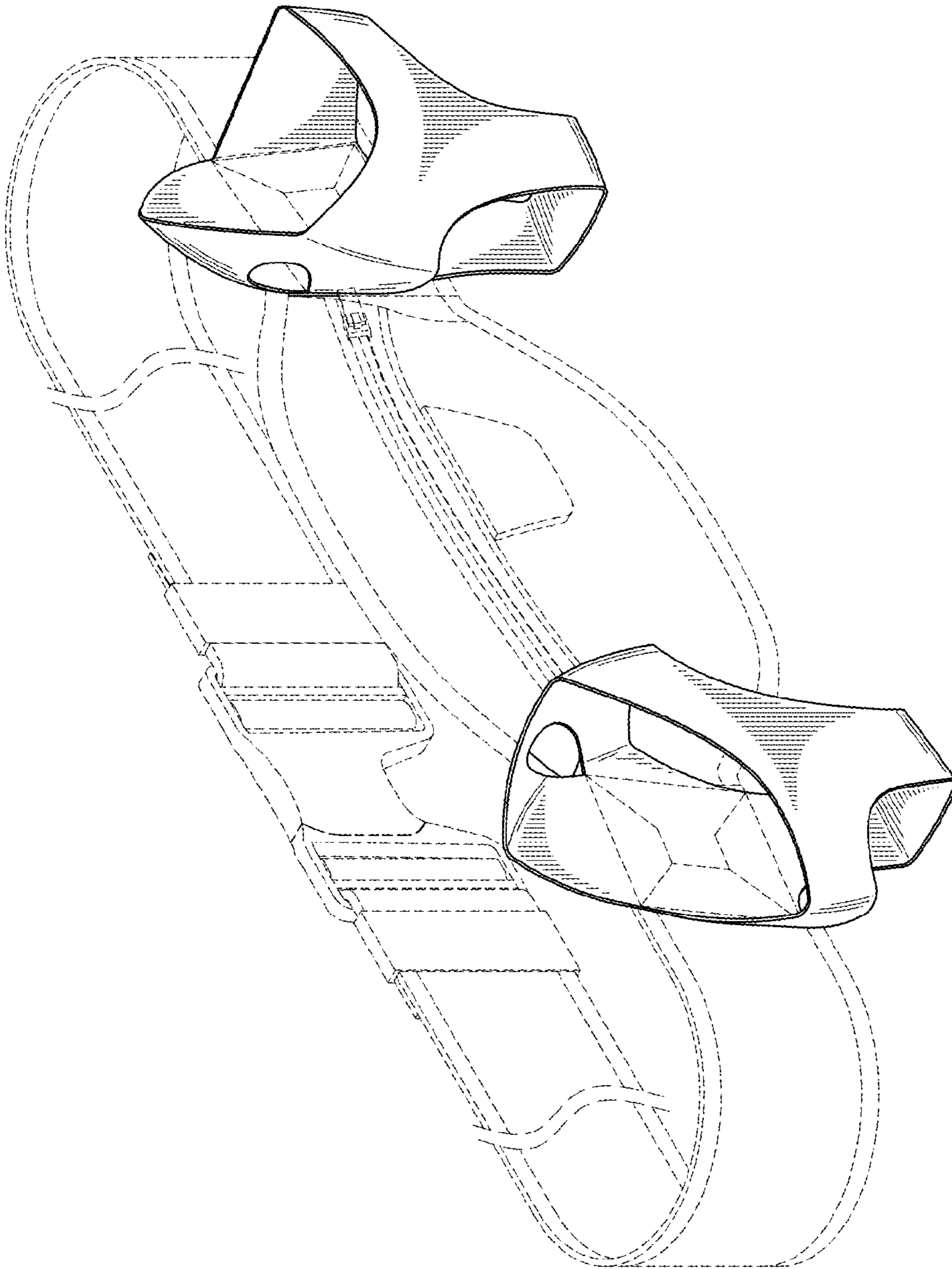


FIG.1

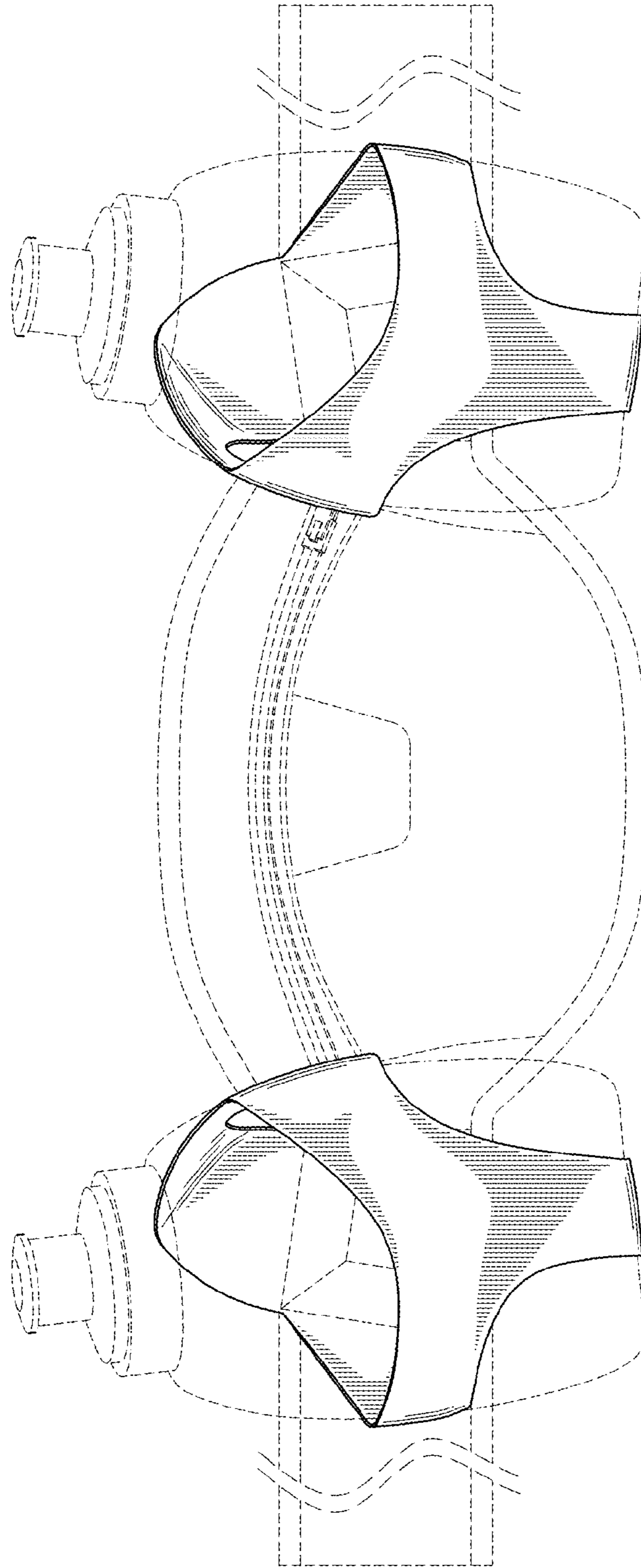


FIG.2

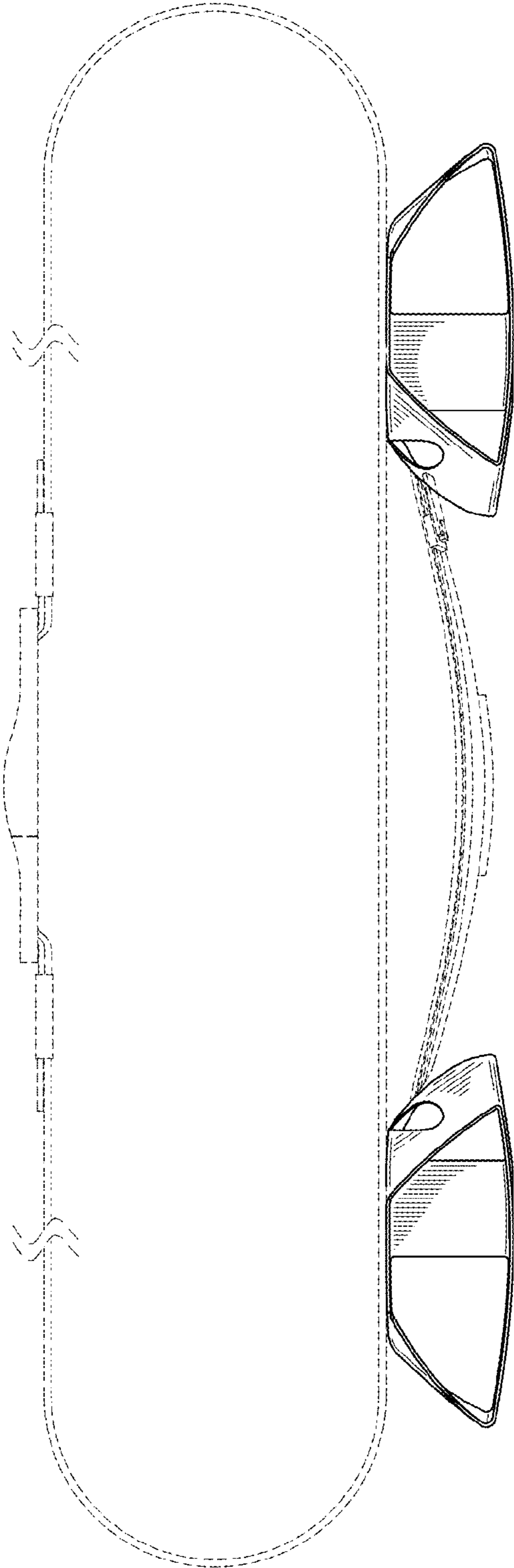


FIG.3

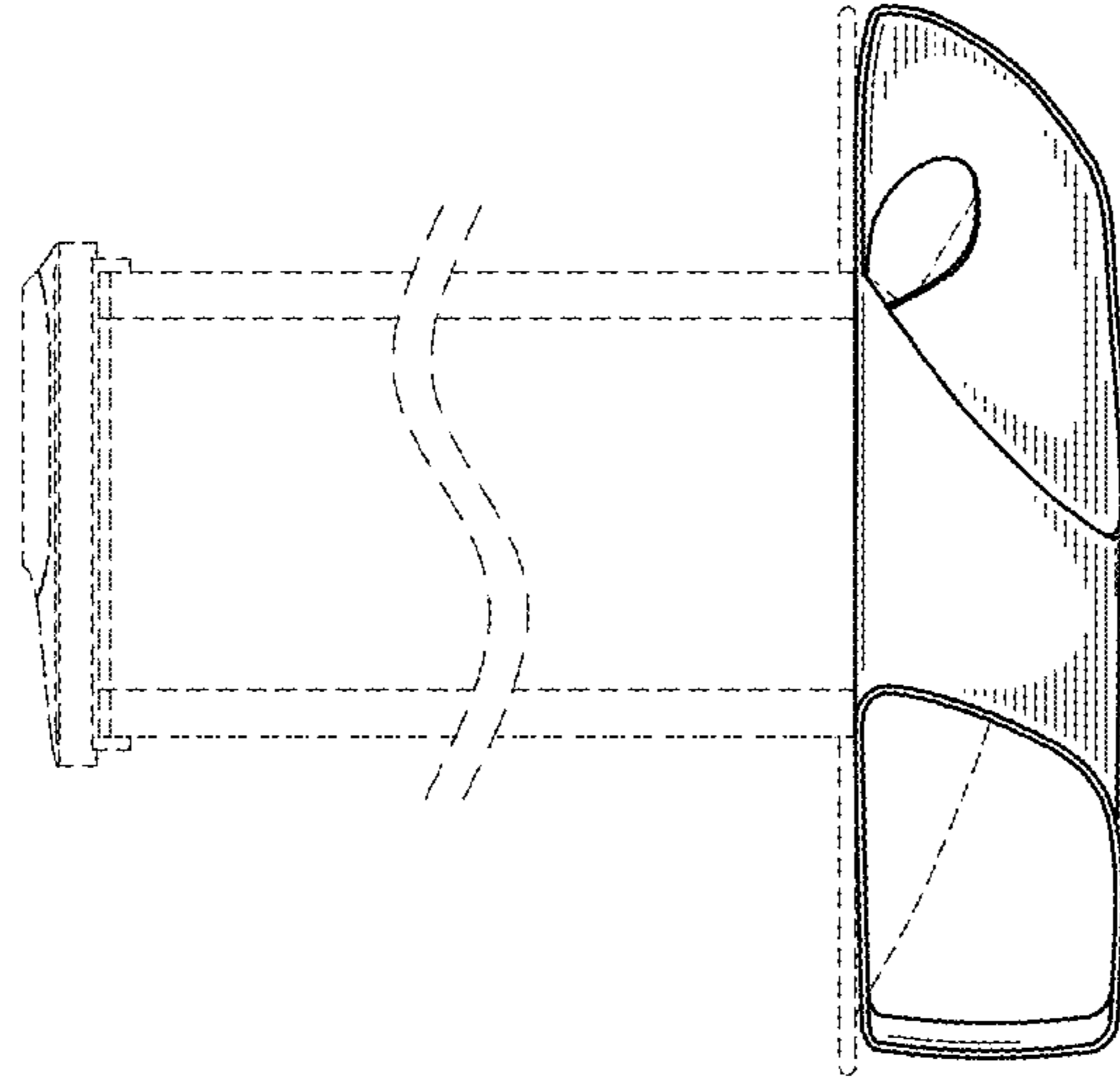


FIG. 4

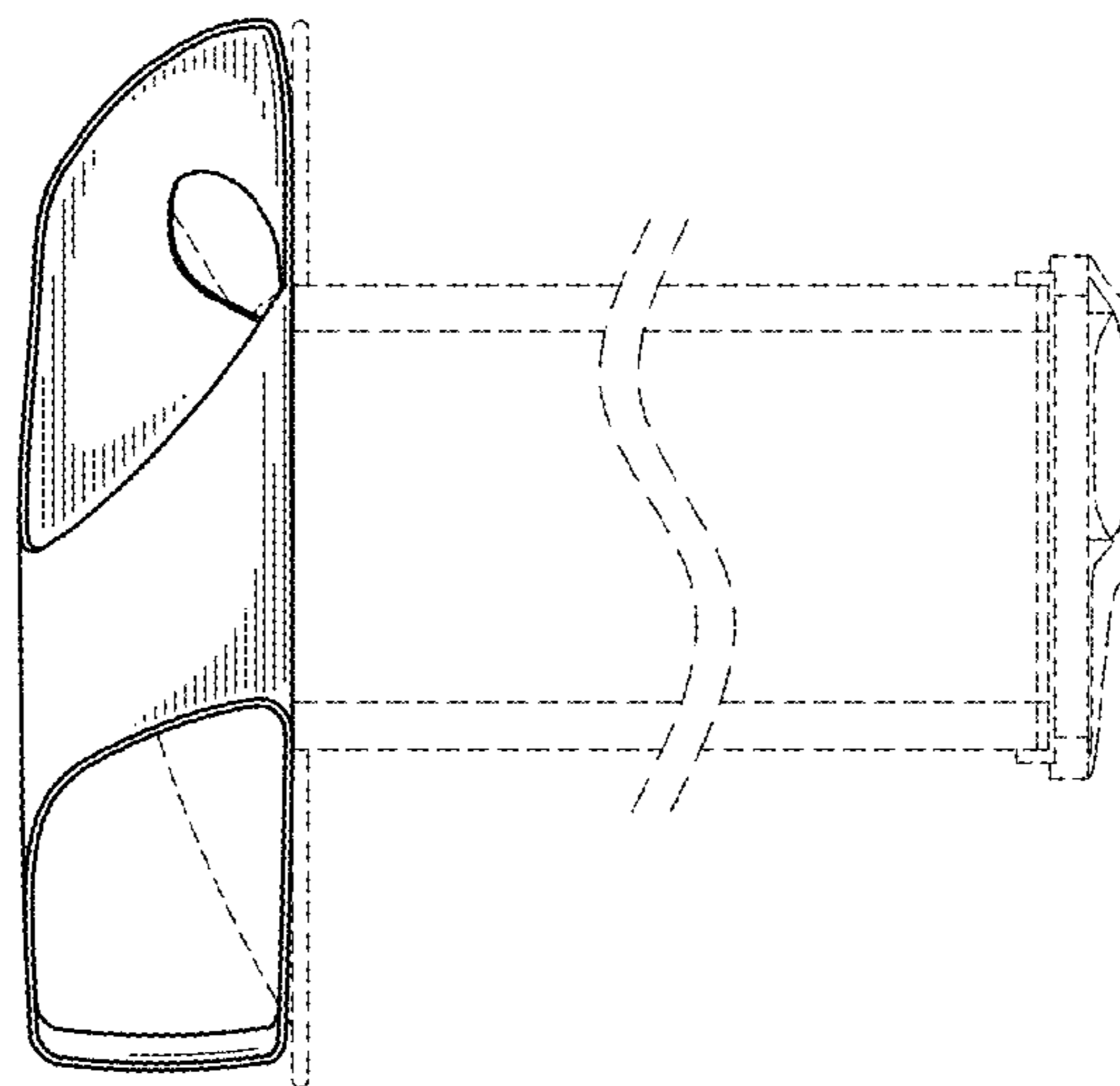


FIG. 5

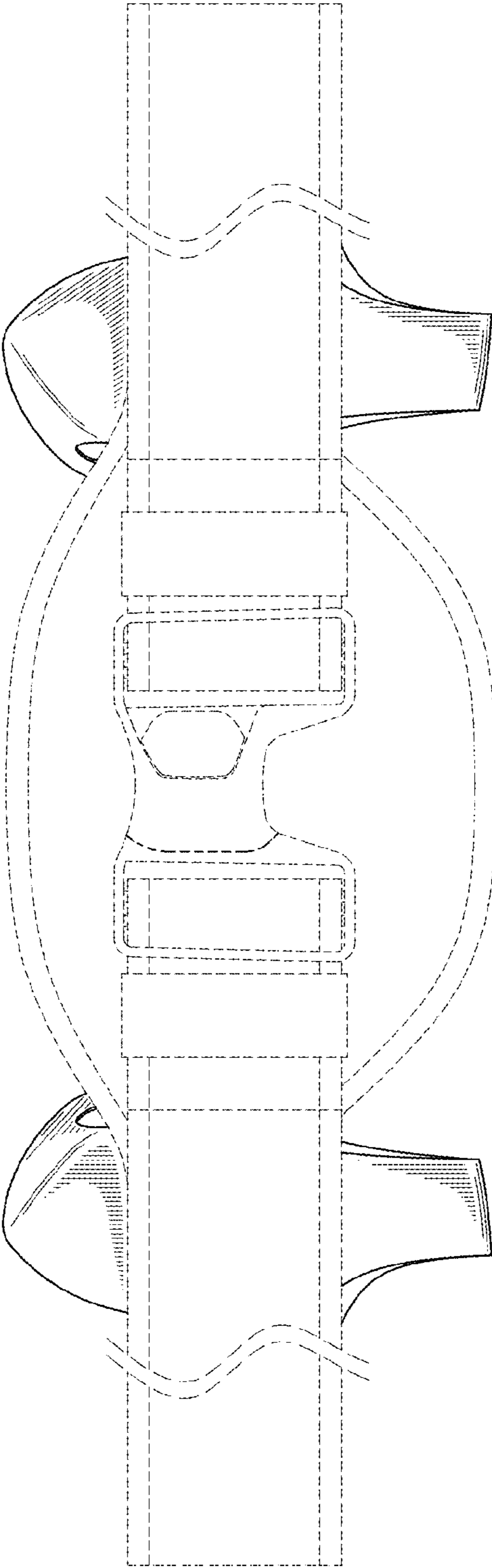


FIG. 6

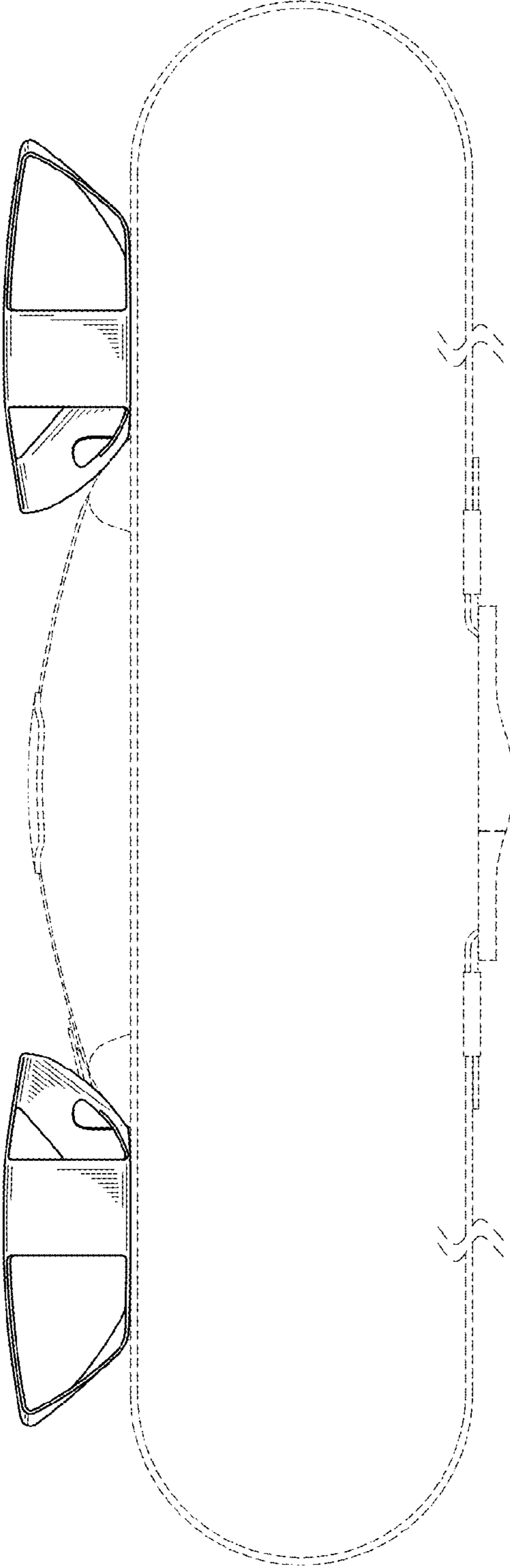


FIG. 7