



US00D725381S

(12) **United States Design Patent**
Zhang

(10) **Patent No.:** **US D725,381 S**
(45) **Date of Patent:** **** Mar. 31, 2015**

(54) **SMART PHONE CASE WITH CREDIT CARD SLOT**

D653,656 S * 2/2012 Charnas et al. D14/250
8,757,376 B2 * 6/2014 Azzoni 206/320
D714,058 S * 9/2014 Owen D3/303

(71) Applicant: **Yu Long Zhang**, Brooklyn, NY (US)

* cited by examiner

(72) Inventor: **Yu Long Zhang**, Brooklyn, NY (US)

Primary Examiner — Catheri Oliver-Garcia

(**) Term: **14 Years**

(74) *Attorney, Agent, or Firm* — Gary E. Lambert; David J. Connaughton, Jr.; Lambert & Associates

(21) Appl. No.: **29/494,133**

(57) **CLAIM**

(22) Filed: **Jun. 17, 2014**

The ornamental design for a smart phone case with credit card slot, as shown and described.

(51) **LOC (10) Cl.** **03-01**

DESCRIPTION

(52) **U.S. Cl.**

USPC **D3/218**

(58) **Field of Classification Search**

CPC A45F 5/00; A45F 5/02; A45F 5/021;
A45F 5/022; A45F 2005/00; A45F 2005/008;
A45F 2005/02; A45F 2200/05; A45F
2200/0516

USPC D3/218–219, 215, 201, 224, 226, 228,
D3/247–248, 269, 303; 224/240–241, 245,
224/578, 674, 676–681, 901, 904; 206/305,
206/320, 576, 759, 762; 455/575.1–575.8;
D14/248, 250–251

See application file for complete search history.

FIG. 1 is a front isometric view of the smart phone case with credit card slot which embodies my design;
FIG. 2 is a rear isometric view thereof;
FIG. 3 is a front isometric view thereof, with the flap shown open;
FIG. 4 is a front isometric view thereof, showing the new design in a position of use;
FIG. 5 is a front view thereof;
FIG. 6 is a rear view thereof;
FIG. 7 is a top plan view thereof;
FIG. 8 is a bottom plan view thereof;
FIG. 9 is a right side view thereof; and,
FIG. 10 is a left side view.

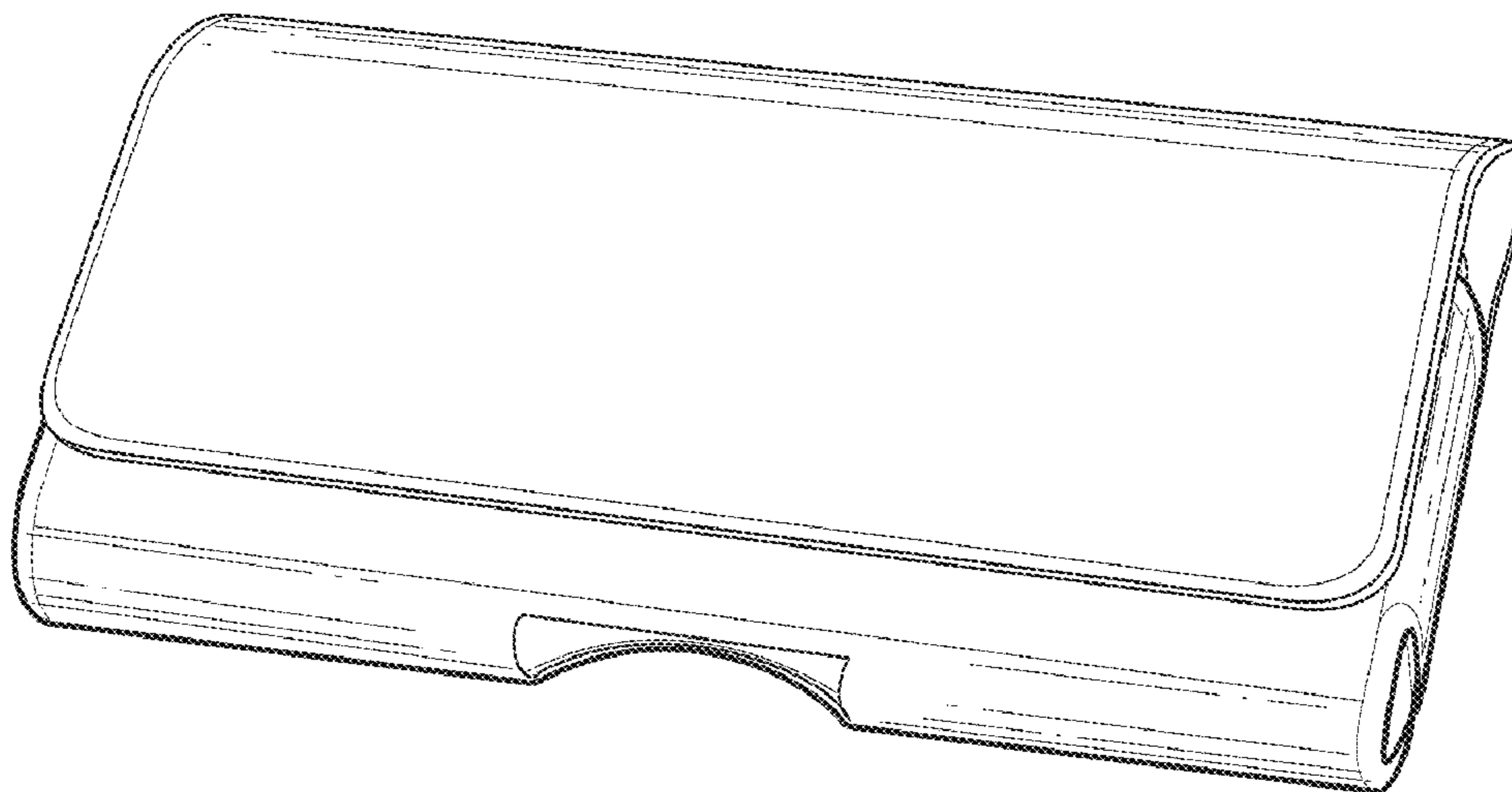
The broken line showing of environment in the drawings is included for the purpose of illustrating only and forms no part of the claimed design.

(56) **References Cited**

U.S. PATENT DOCUMENTS

D565,840 S * 4/2008 Kwak D3/218
D602,689 S * 10/2009 Hewitt D3/247

1 Claim, 4 Drawing Sheets



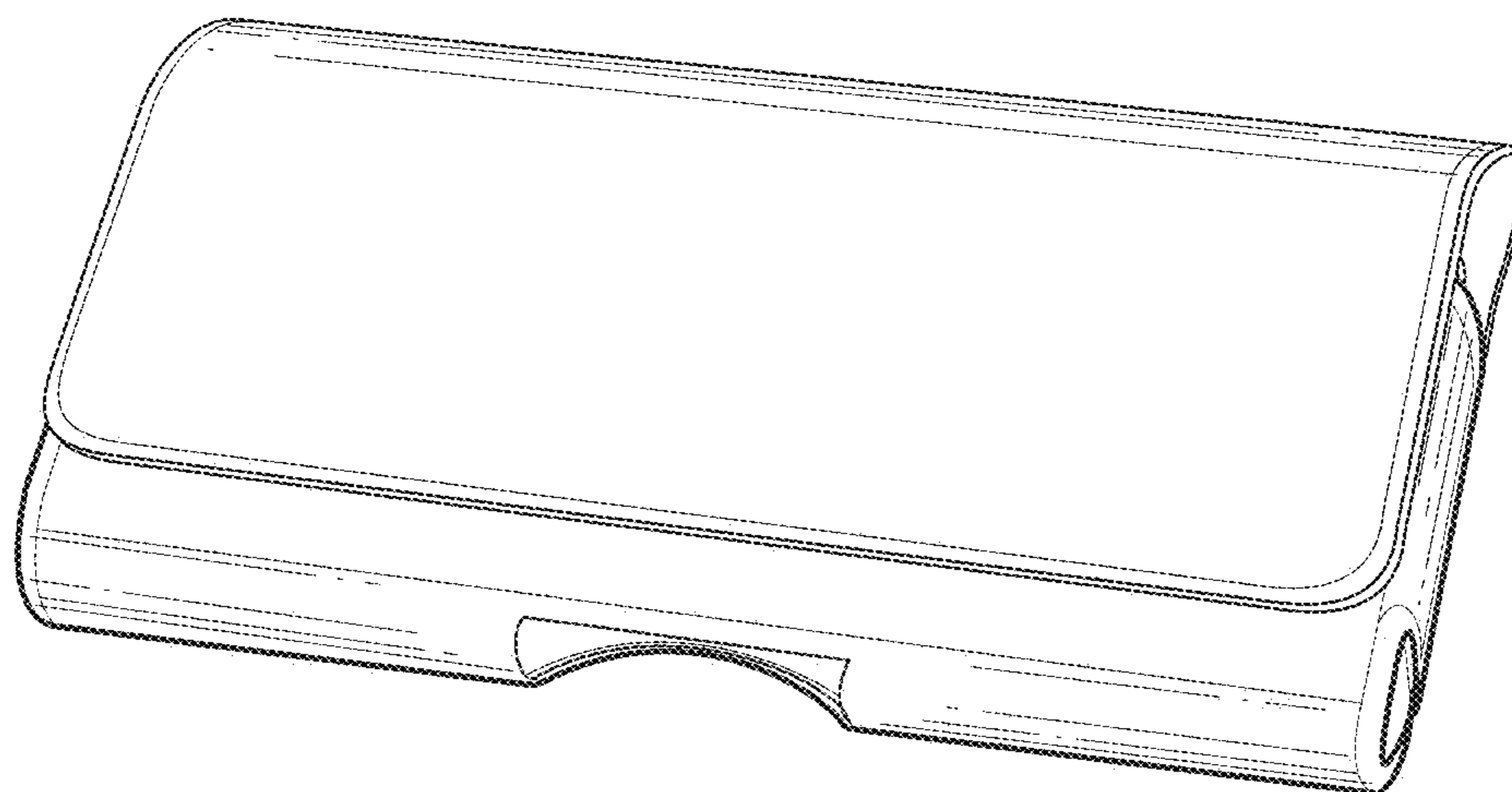


Fig. 1

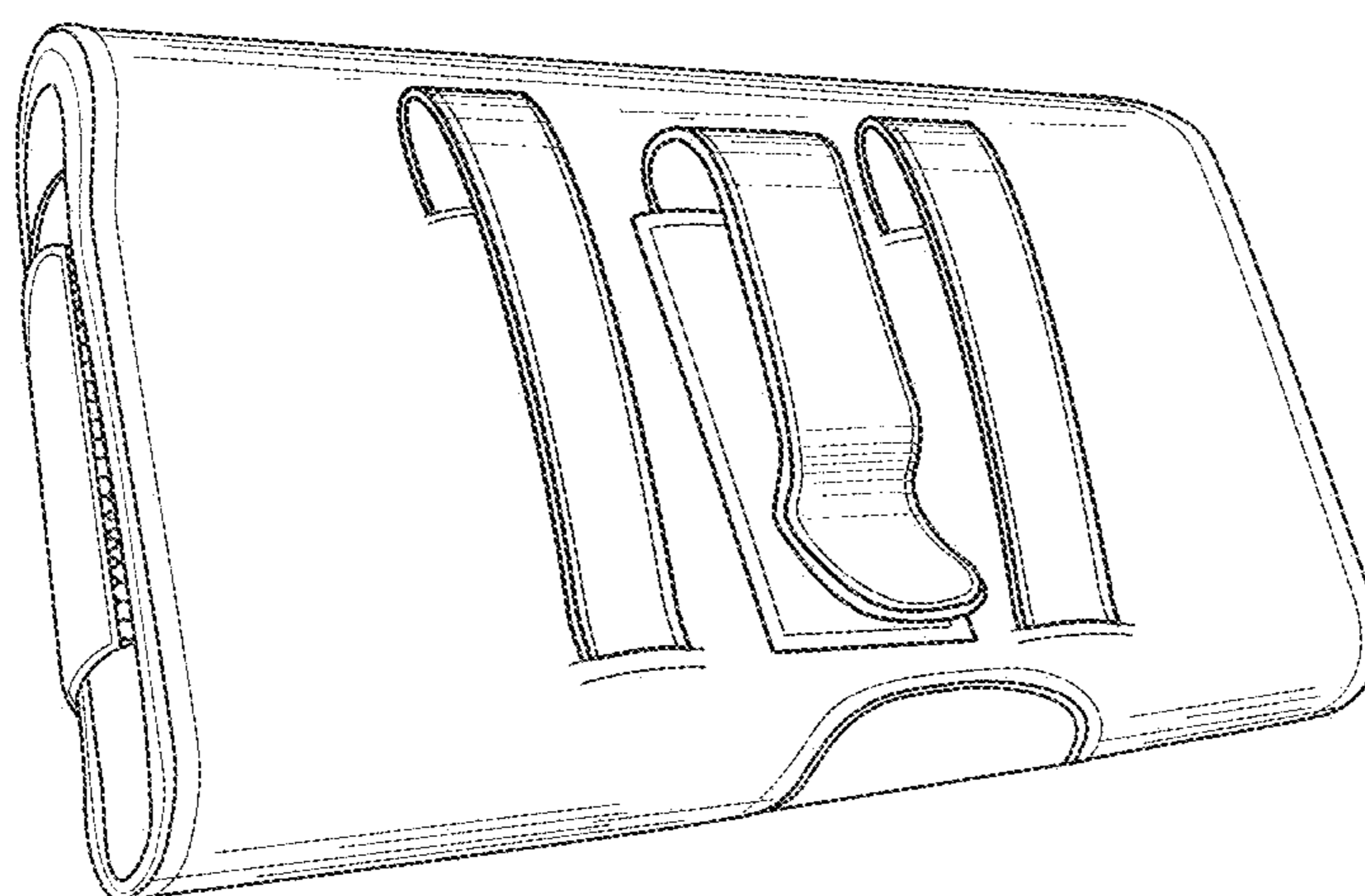


Fig. 2

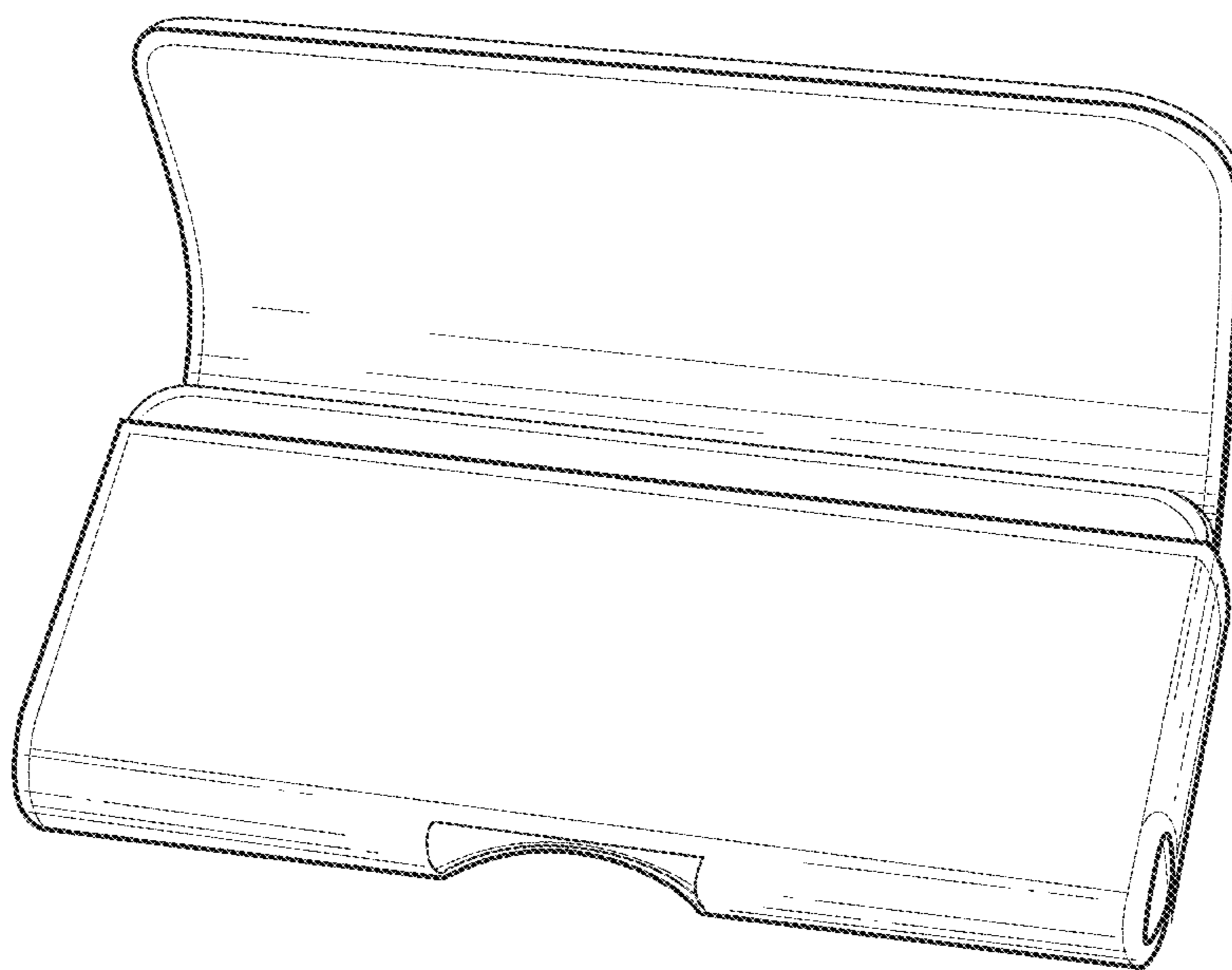


Fig. 3

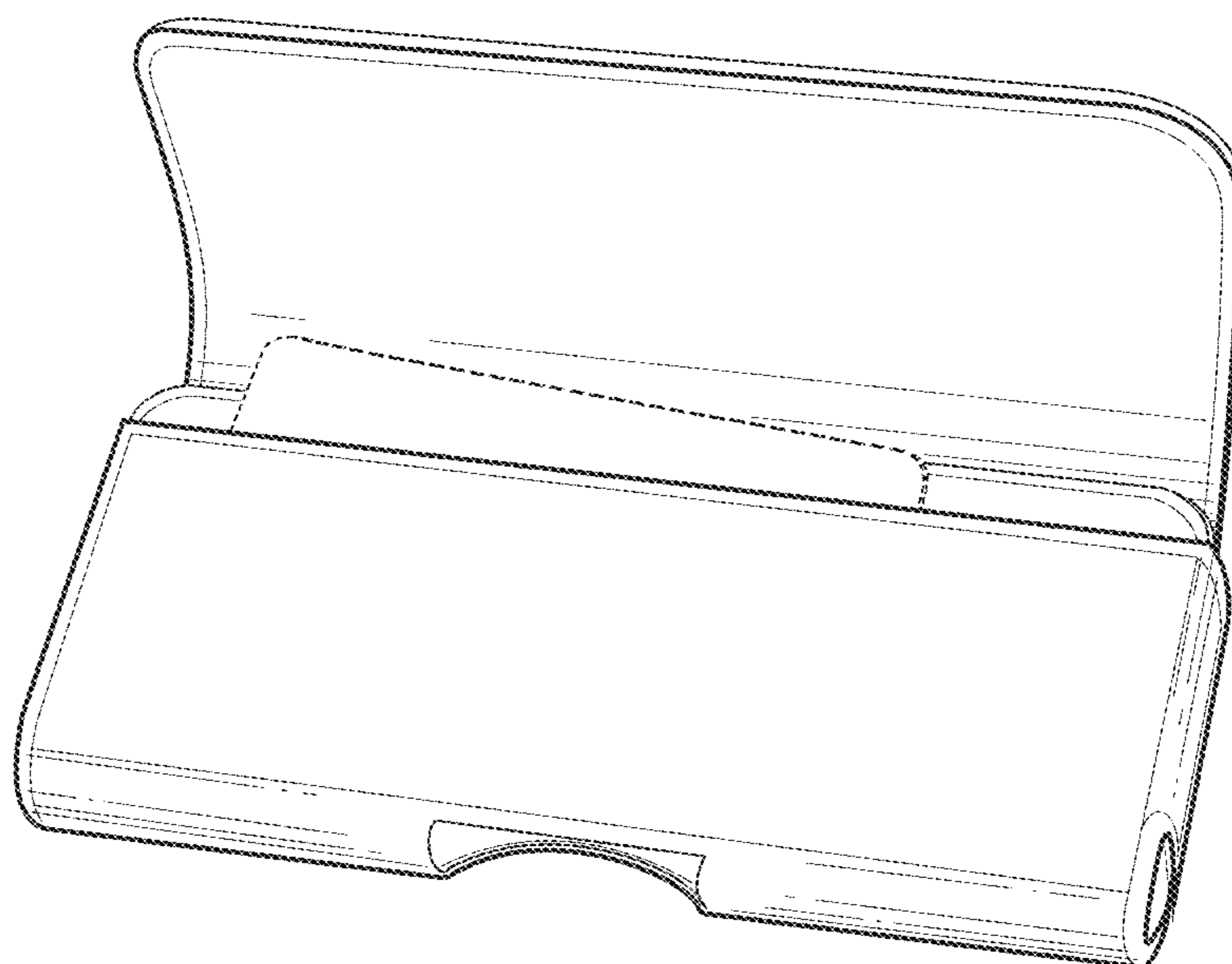


Fig. 4

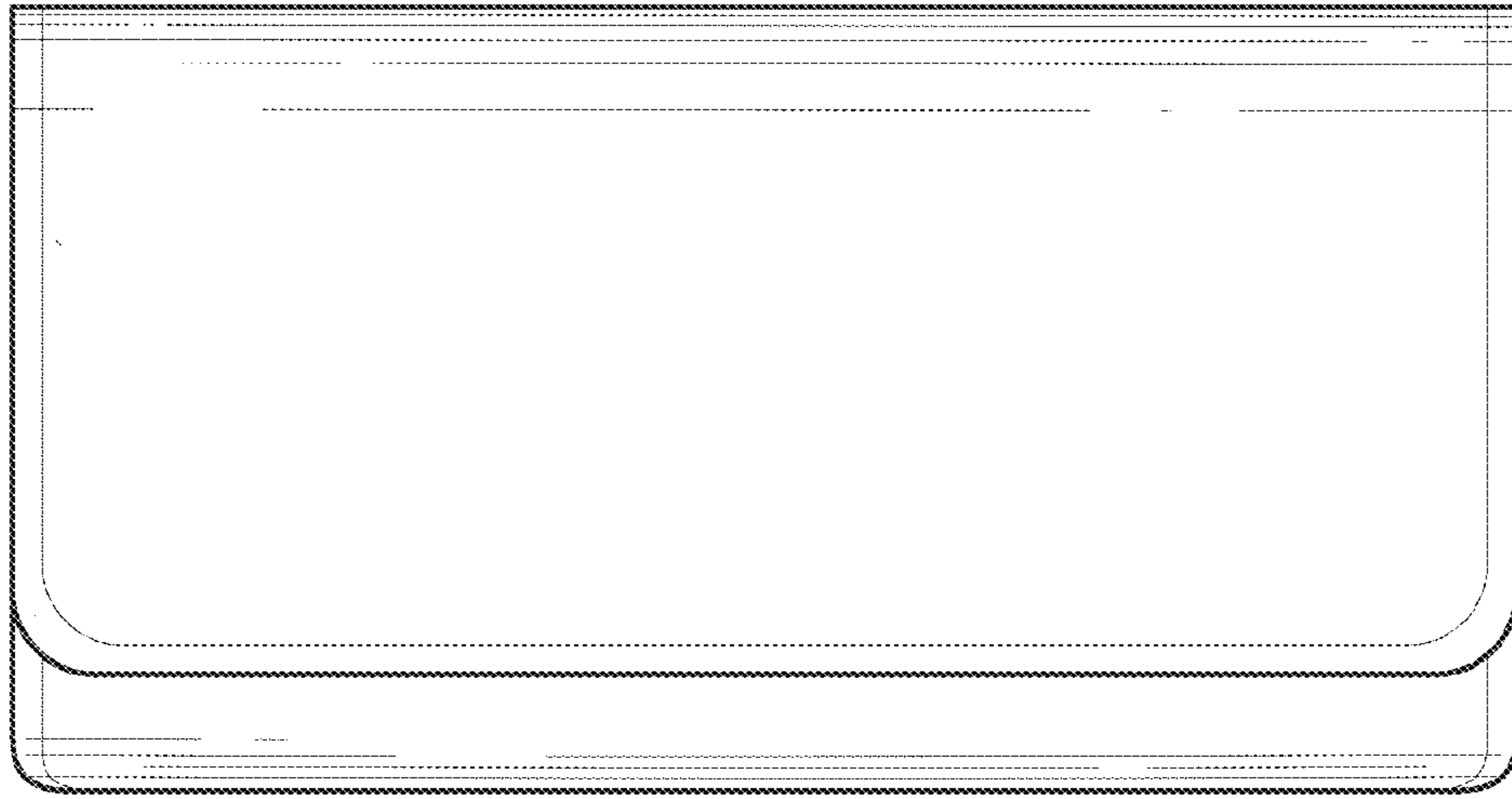


Fig. 5

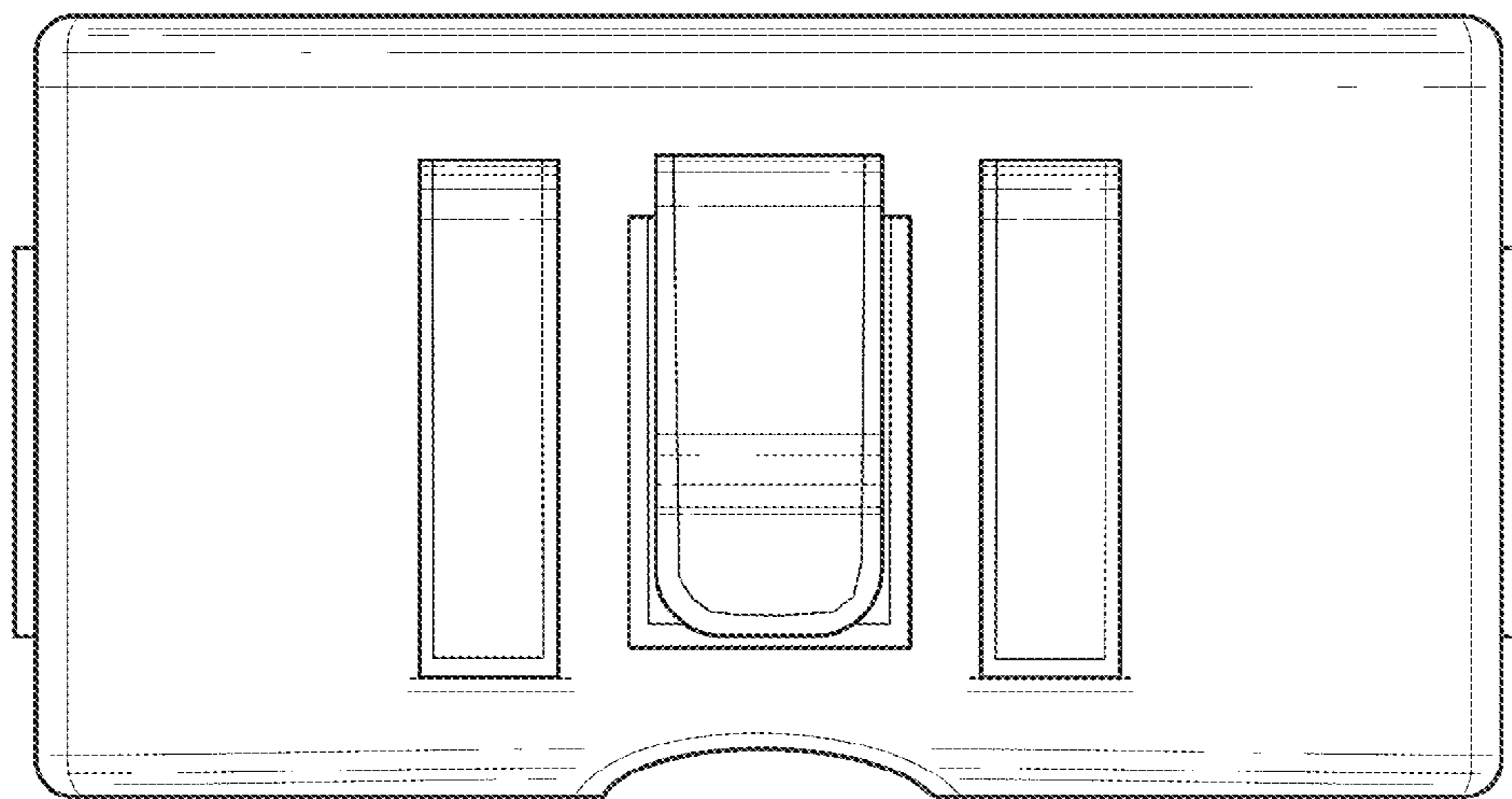


Fig. 6

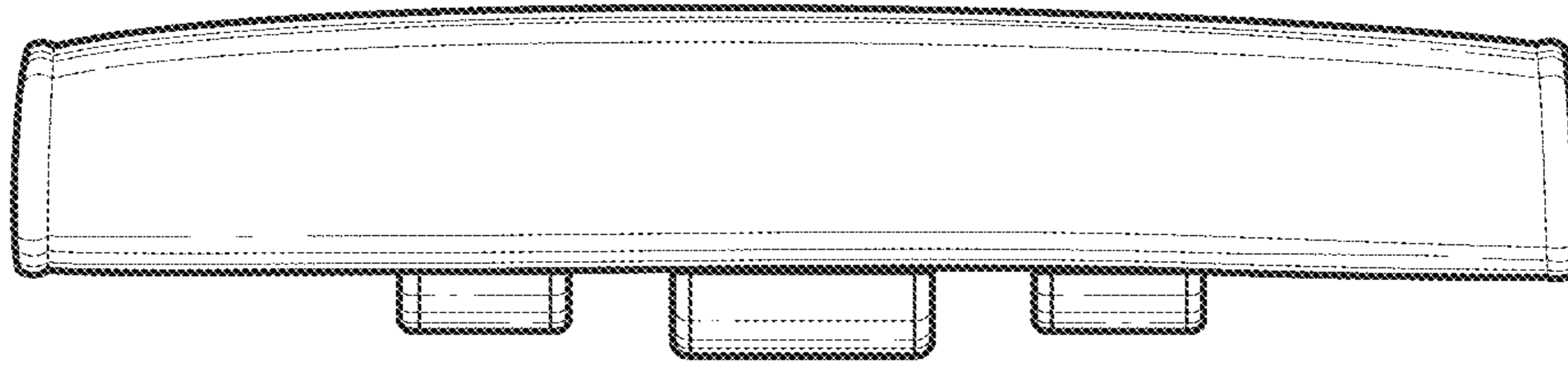


Fig. 7

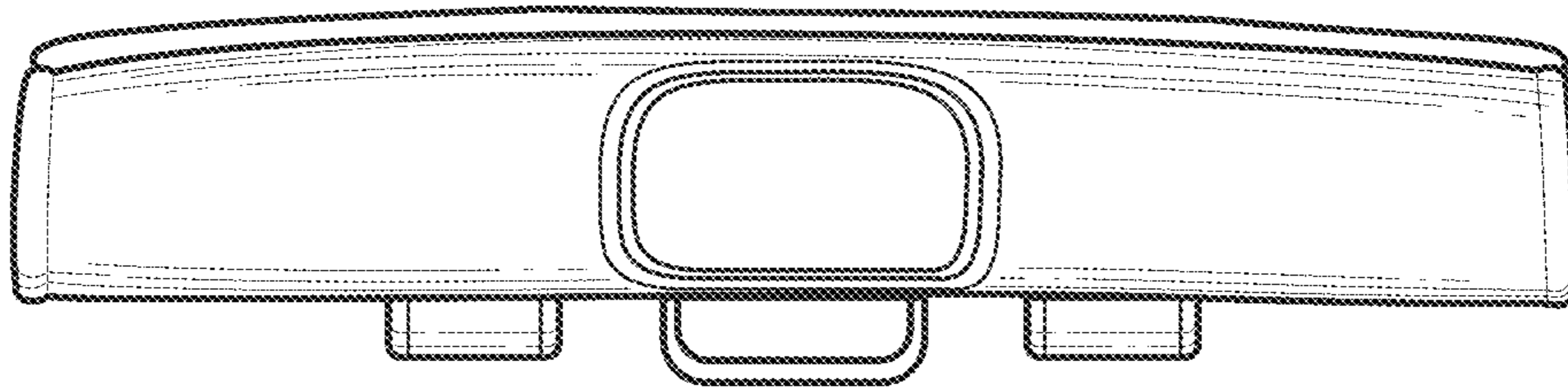


Fig. 8

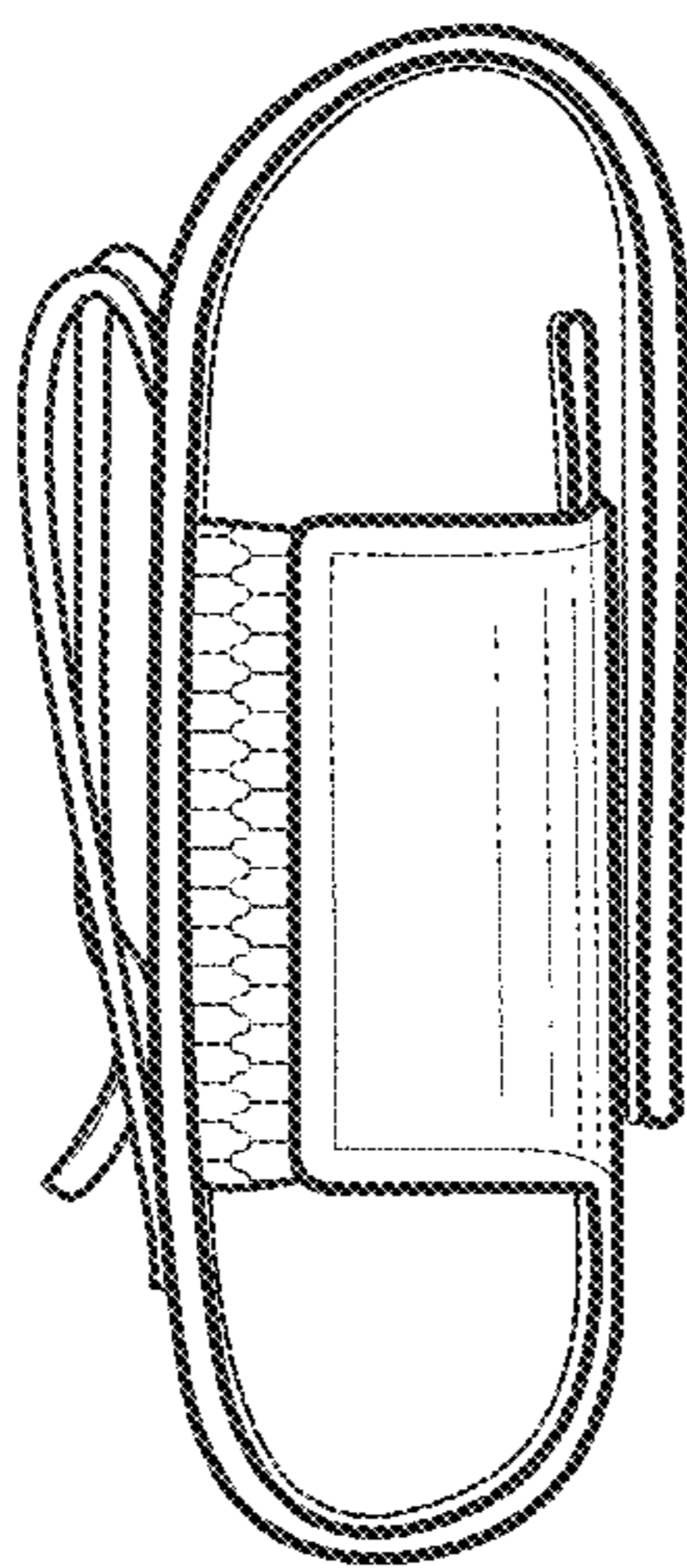


Fig. 9

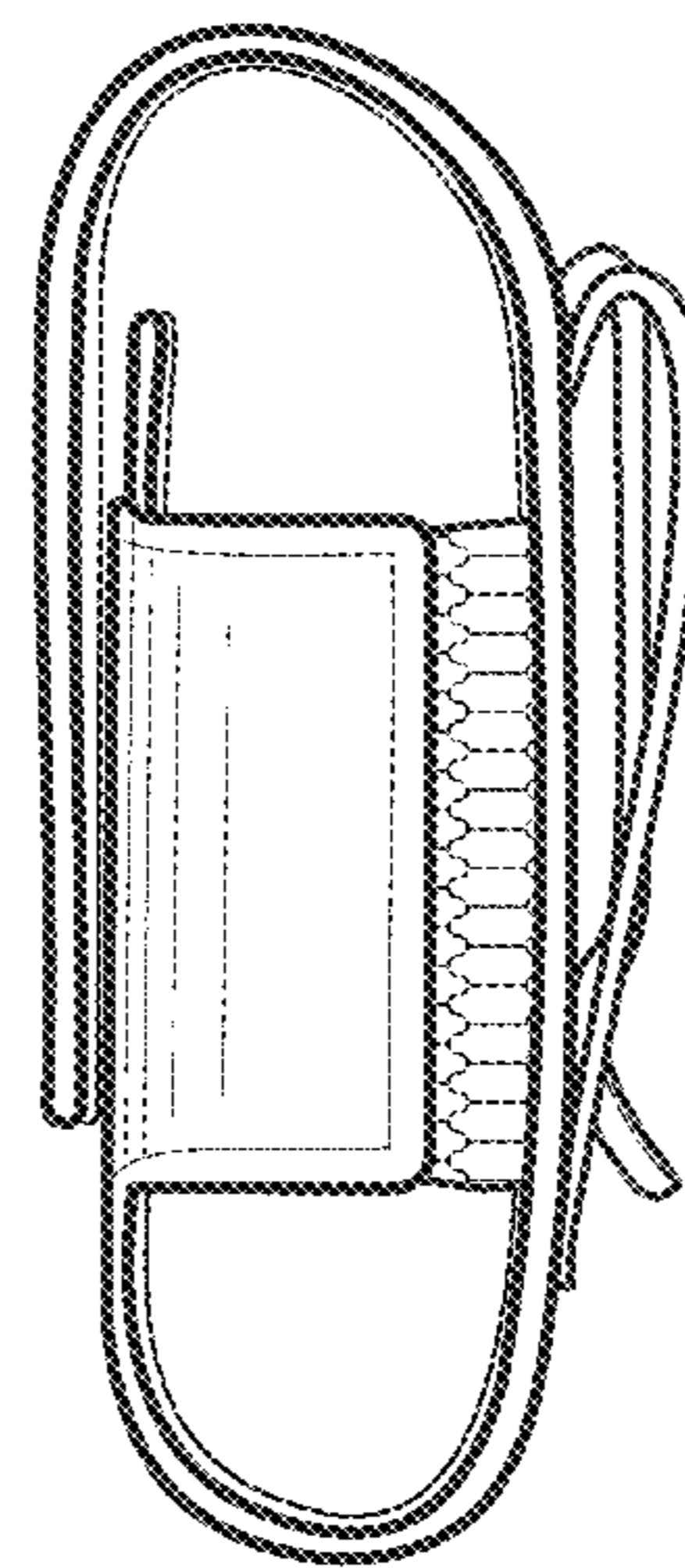


Fig. 10