



US00D725380S

(12) **United States Design Patent**
Zhang

(10) **Patent No.:** **US D725,380 S**
(45) **Date of Patent:** **** Mar. 31, 2015**

(54) **SMART PHONE CASE**

(71) Applicant: **Yu Long Zhang**, Brooklyn, NY (US)

(72) Inventor: **Yu Long Zhang**, Brooklyn, NY (US)

(**) Term: **14 Years**

(21) Appl. No.: **29/492,951**

(22) Filed: **Jun. 4, 2014**

(51) **LOC (10) Cl.** **03-01**

(52) **U.S. Cl.**
USPC **D3/218**

(58) **Field of Classification Search**

CPC A45F 5/00; A45F 5/02; A45F 5/021;
A45F 5/022; A45F 2005/00; A45F 2005/008;
A45F 2005/02; A45F 2200/05; A45F
2200/0516
USPC D3/218-219, 215, 201, 224, 226, 228,
D3/269, 303; 224/240-241, 245, 578, 674,
224/676-681, 901, 904; 206/305, 320, 576,
206/759, 762; 455/575.1-575.8; D14/248,
D14/250-251; 379/455

See application file for complete search history.

(56) **References Cited**

U.S. PATENT DOCUMENTS

D515,807 S * 2/2006 Faillace D3/218
D561,463 S * 2/2008 Malhotra D3/218
D695,007 S * 12/2013 Zhang D3/218
D715,536 S * 10/2014 Basmaji D3/218

* cited by examiner

Primary Examiner — Catheri Oliver-Garcia

(74) *Attorney, Agent, or Firm* — David J. Connaughton, Jr.;
Gary E. Lambert; Lambert & Associates

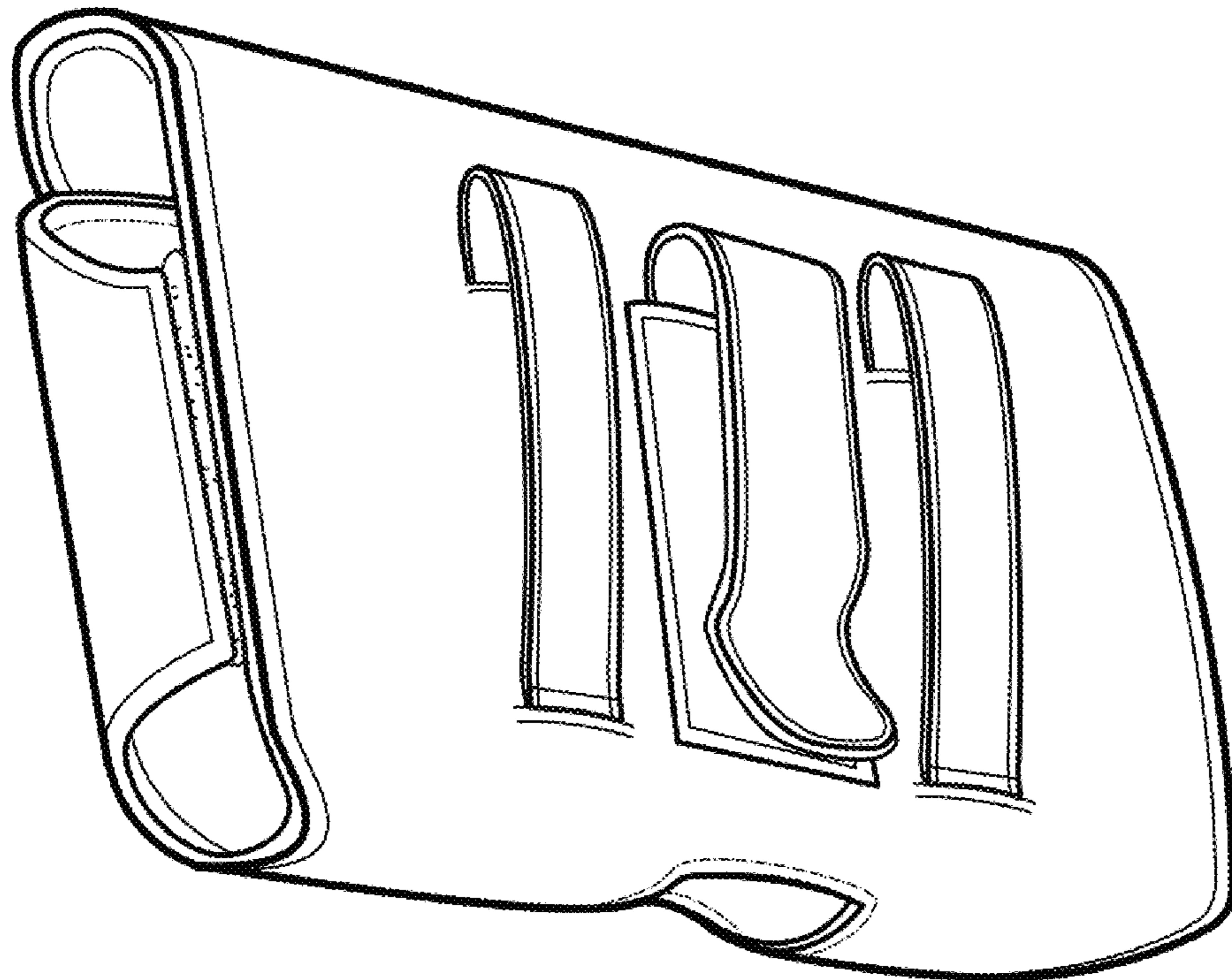
(57) **CLAIM**

The ornamental design for a smart phone case, as shown and described.

DESCRIPTION

FIG. 1 is a rear isometric view of the smart phone case which embodies my design;
FIG. 2 is a front isometric view of the smart phone case;
FIG. 3 is a front of the smart phone case;
FIG. 4 is a rear view of the smart phone case;
FIG. 5 is a top plan view of the smart phone case;
FIG. 6 is bottom plan view of the smart phone case;
FIG. 7 is a right side view of the smart phone case; and,
FIG. 8 is a left side view of the smart phone case.

1 Claim, 3 Drawing Sheets



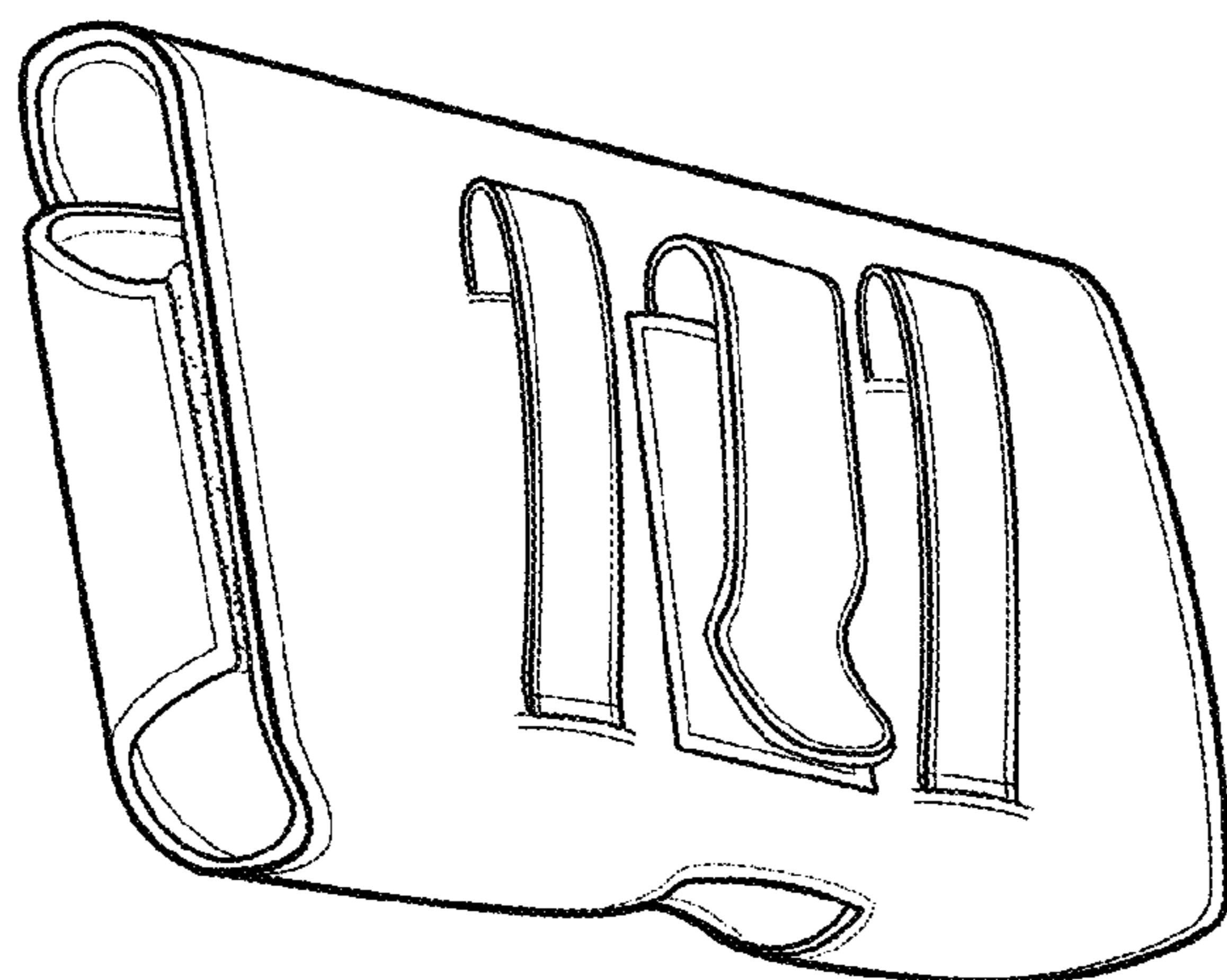


Fig. 1

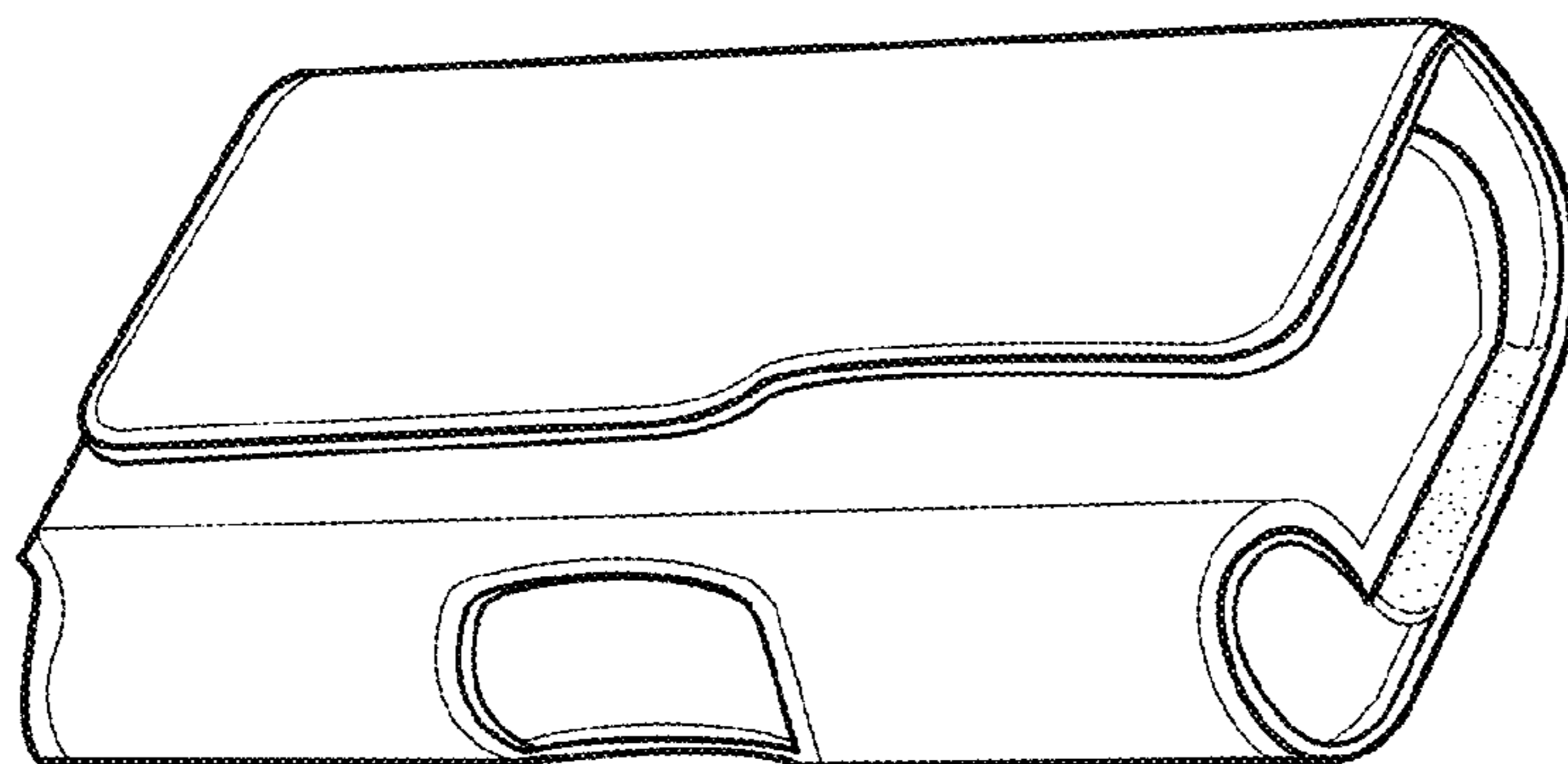


Fig. 2

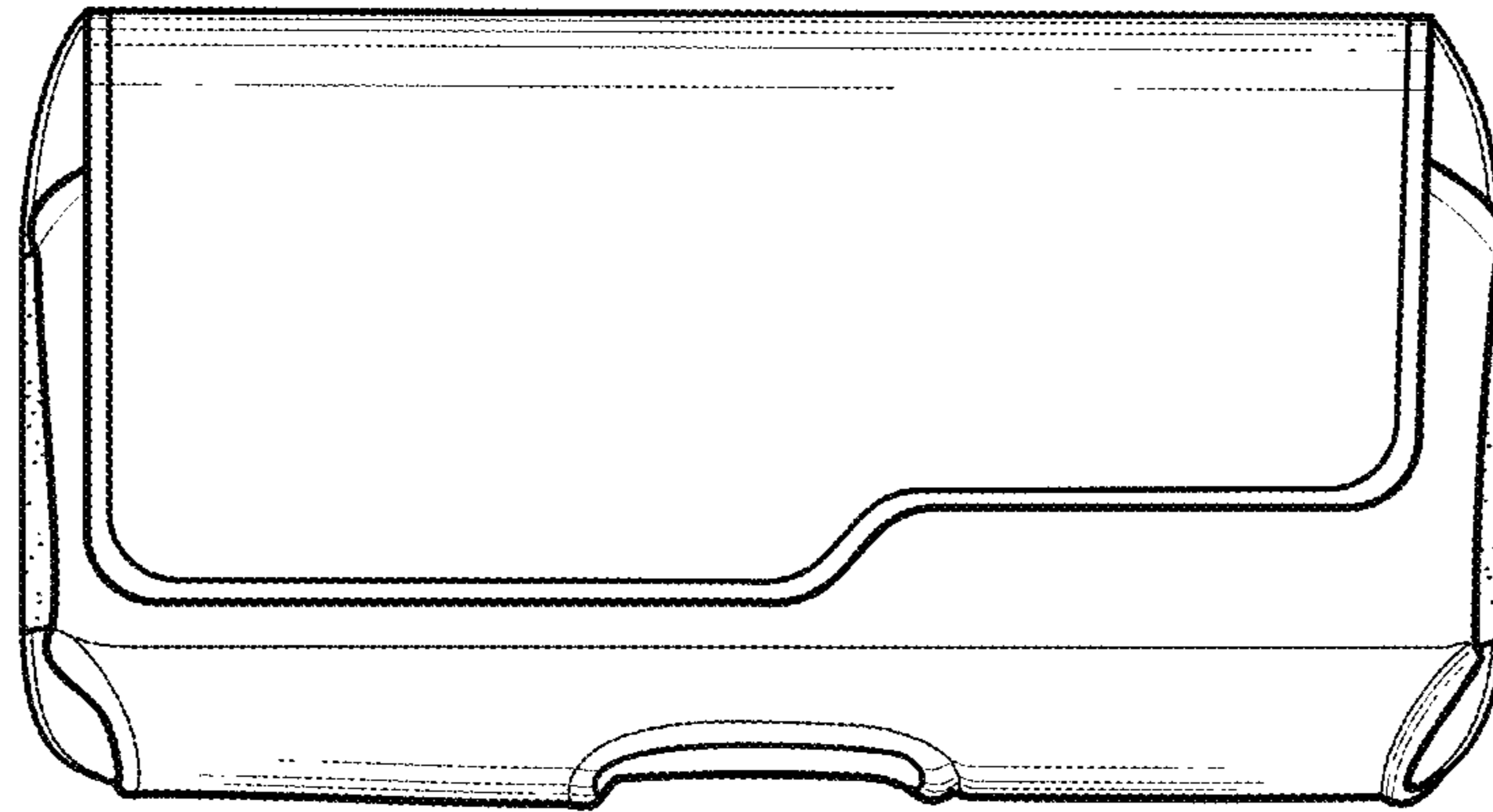


Fig. 3

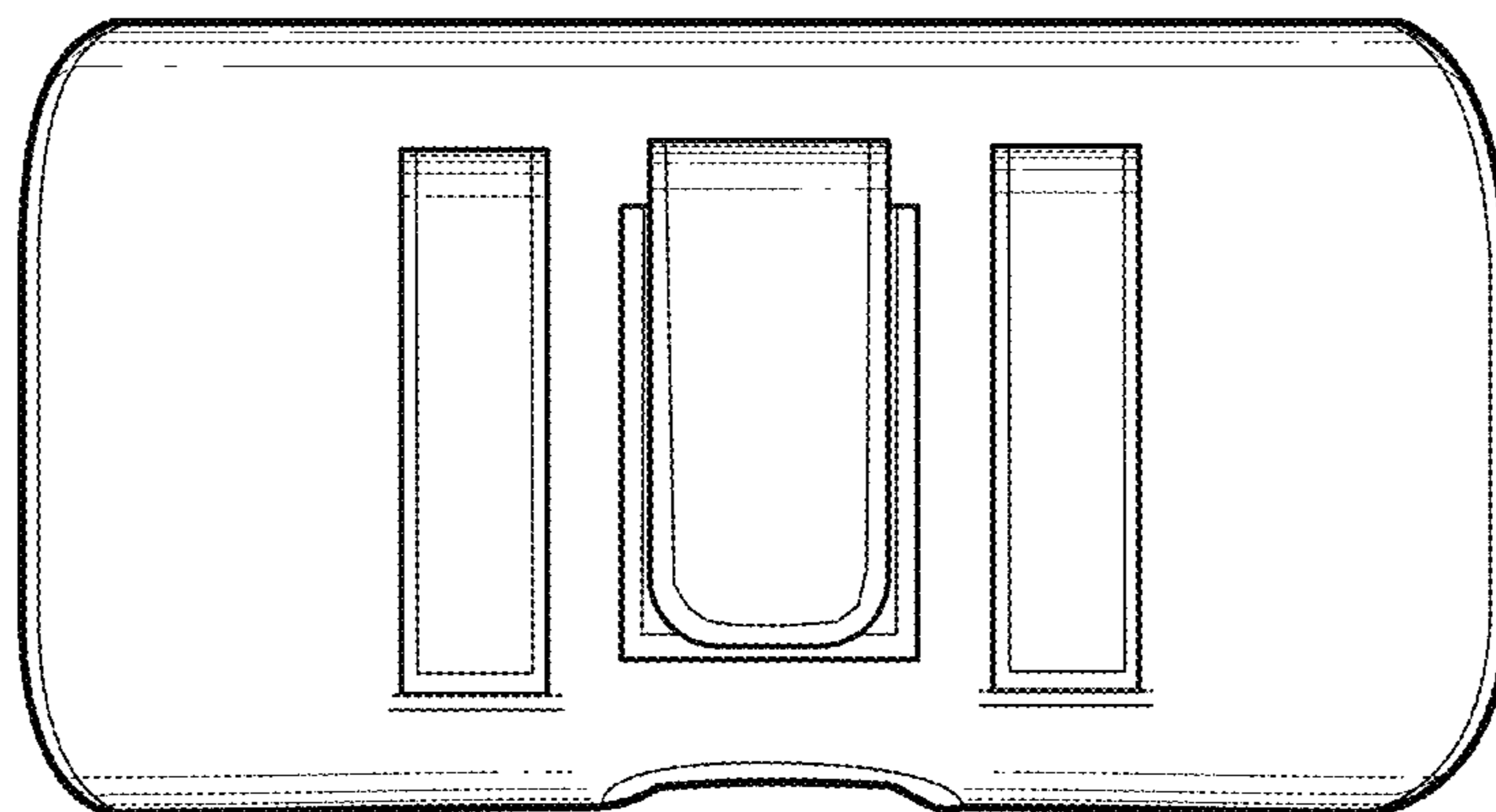


Fig. 4

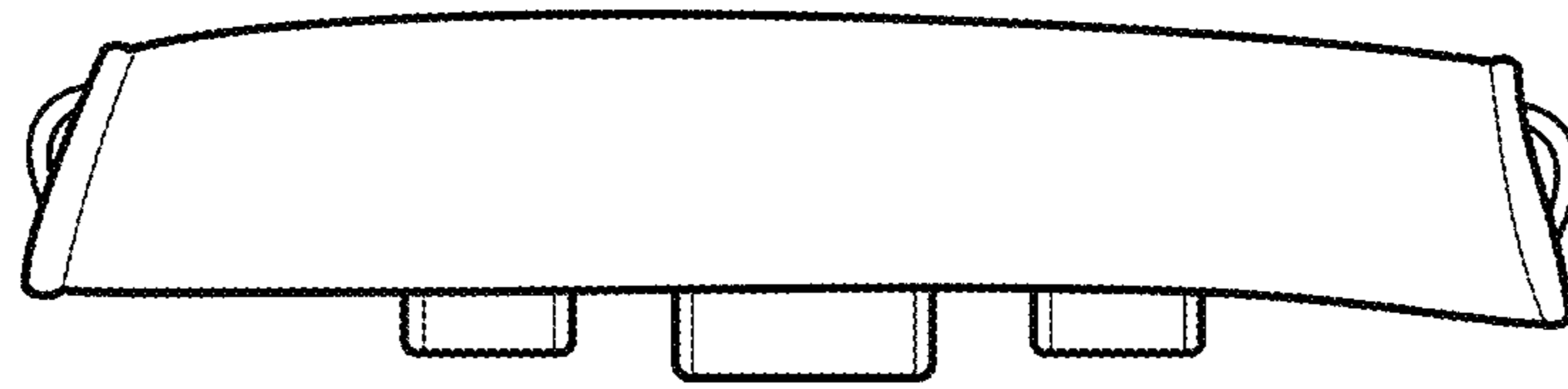


Fig. 5

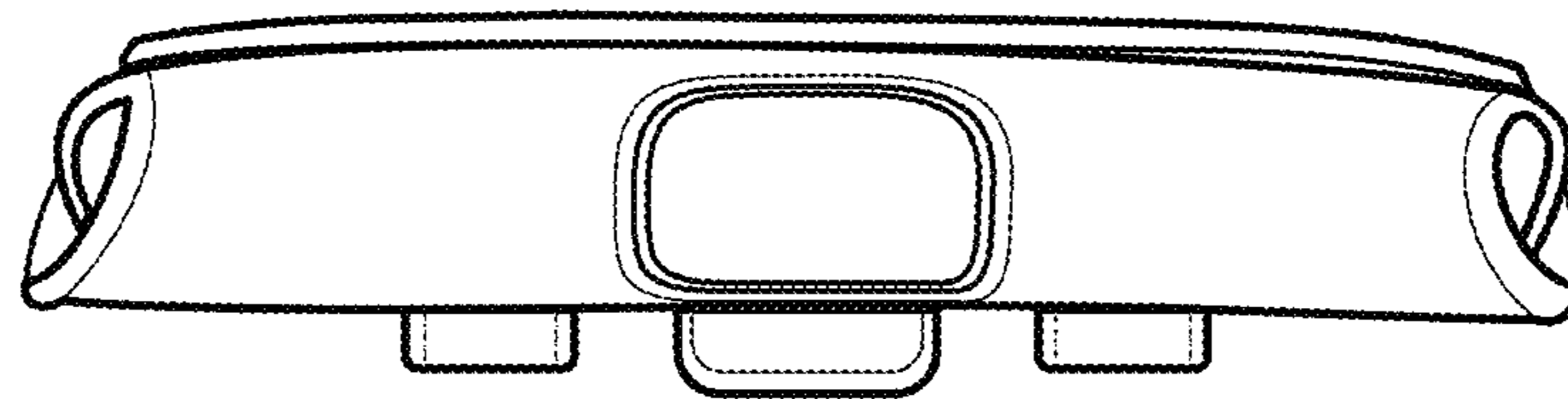


Fig. 6

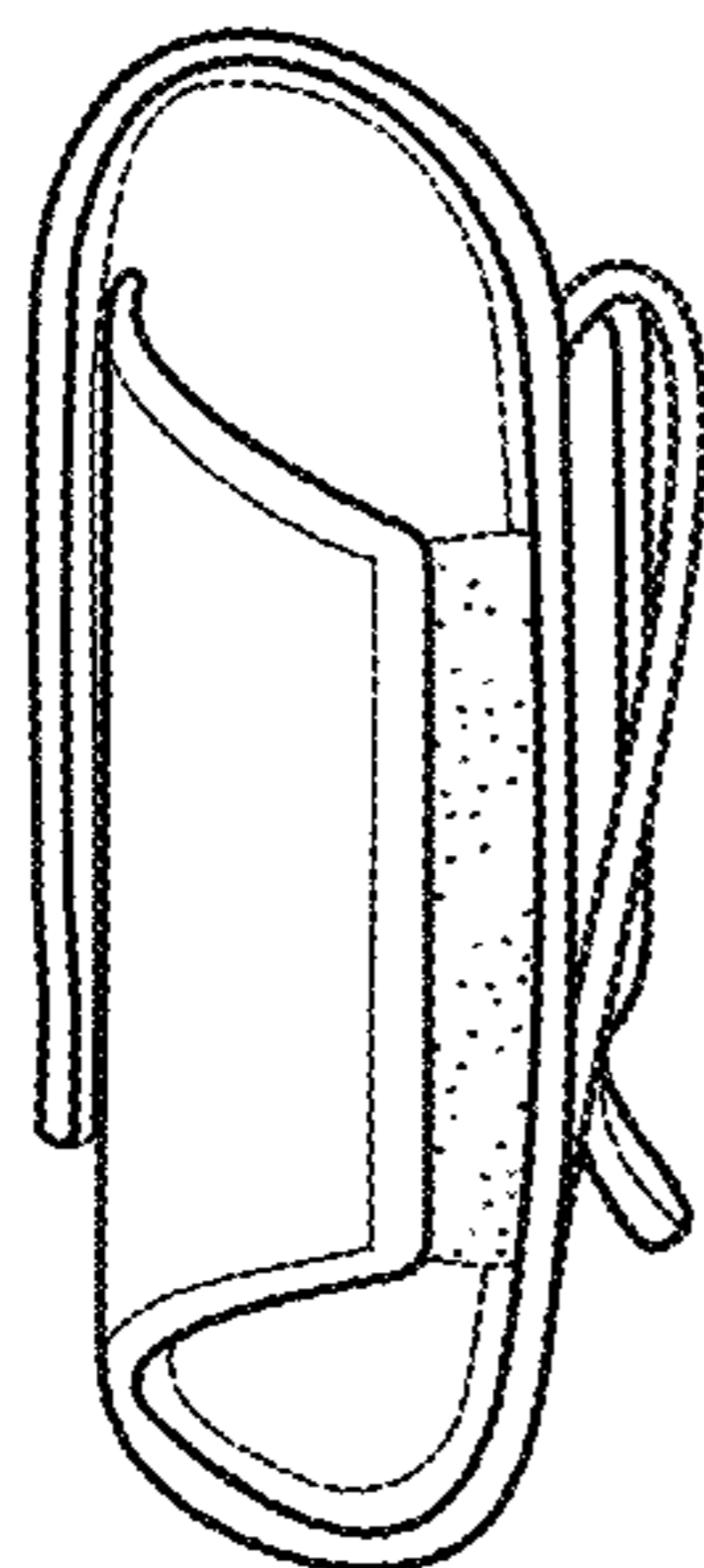


Fig. 7

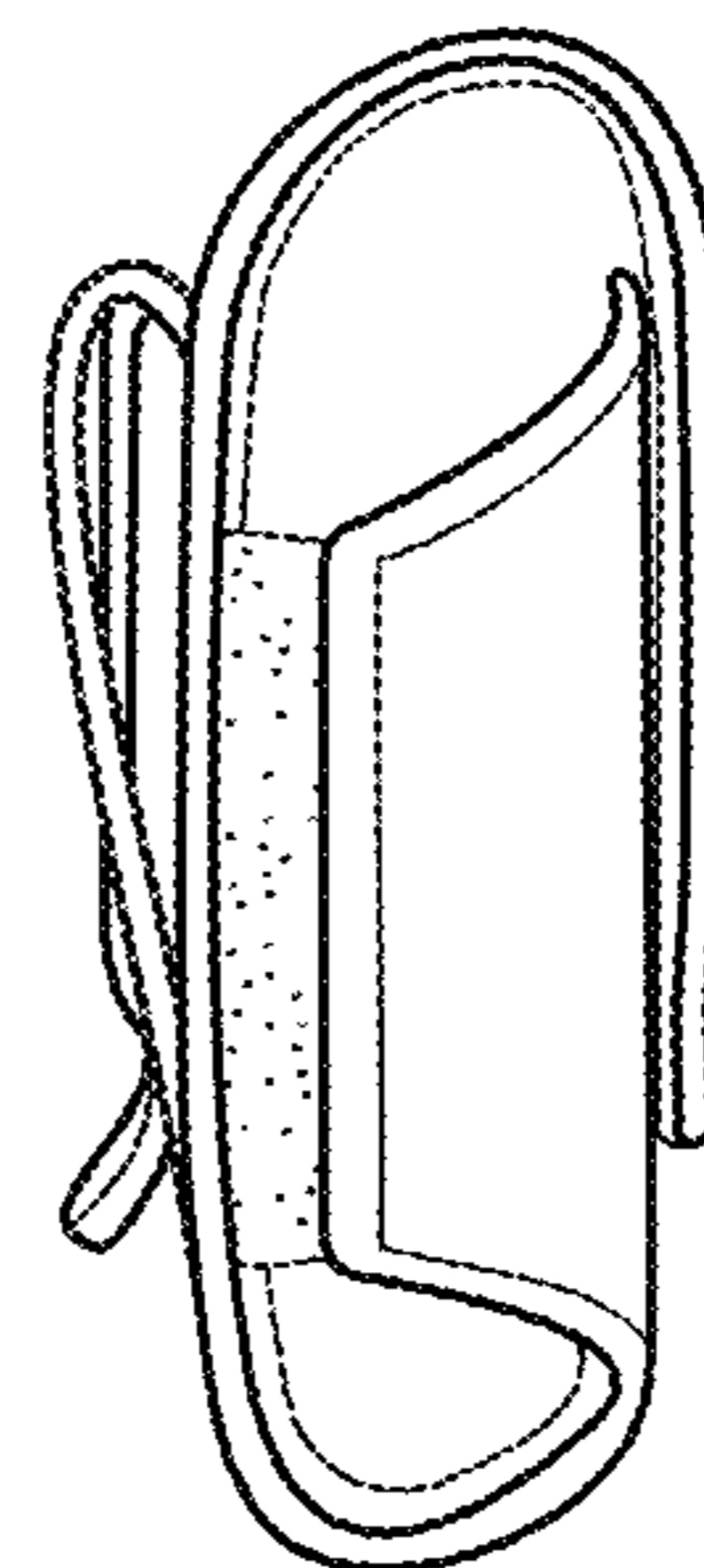


Fig. 8