



US00D725376S

(12) **United States Design Patent**
Dweck

(10) **Patent No.:** **US D725,376 S**
(45) **Date of Patent:** **** Mar. 31, 2015**

- (54) **BACKPACK**
- (71) Applicant: **Accessory Innovations, LLC**, New York, NY (US)
- (72) Inventor: **Steven Dweck**, New York, NY (US)
- (73) Assignee: **Accessory Innovations, LLC**, New York, NY (US)
- (**) Term: **14 Years**
- (21) Appl. No.: **29/466,862**
- (22) Filed: **Sep. 12, 2013**
- (51) **LOC (10) Cl.** **03-01**
- (52) **U.S. Cl.**
USPC **D3/217**
- (58) **Field of Classification Search**
USPC D3/201, 213, 214, 215, 216, 217, 218,
D3/231, 232, 234, 270, 289, 327; D2/835;
D12/193; D11/3; D29/100, 122;
D30/158; 362/104, 249.16; 224/153,
224/155, 575, 578, 579, 581, 586, 645,
224/657; 206/457
See application file for complete search history.

6,578,982 B1 *	6/2003	Lynch	362/104
D507,218 S *	7/2005	Spencer	D12/193
D548,455 S *	8/2007	Aliberti et al.	D3/216
D584,863 S *	1/2009	Garry et al.	D30/158
7,617,956 B1 *	11/2009	Sabbah	224/153
D611,200 S *	3/2010	Packard	D29/122
D613,457 S *	4/2010	Miller	D29/100
D652,336 S *	1/2012	Molik	D11/3
8,142,053 B2 *	3/2012	Hurwitz	362/249.16

* cited by examiner

Primary Examiner — Martie K Holtje

(74) *Attorney, Agent, or Firm* — Arent Fox LLP

(57) **CLAIM**

The ornamental design for a backpack, as shown and described.

DESCRIPTION

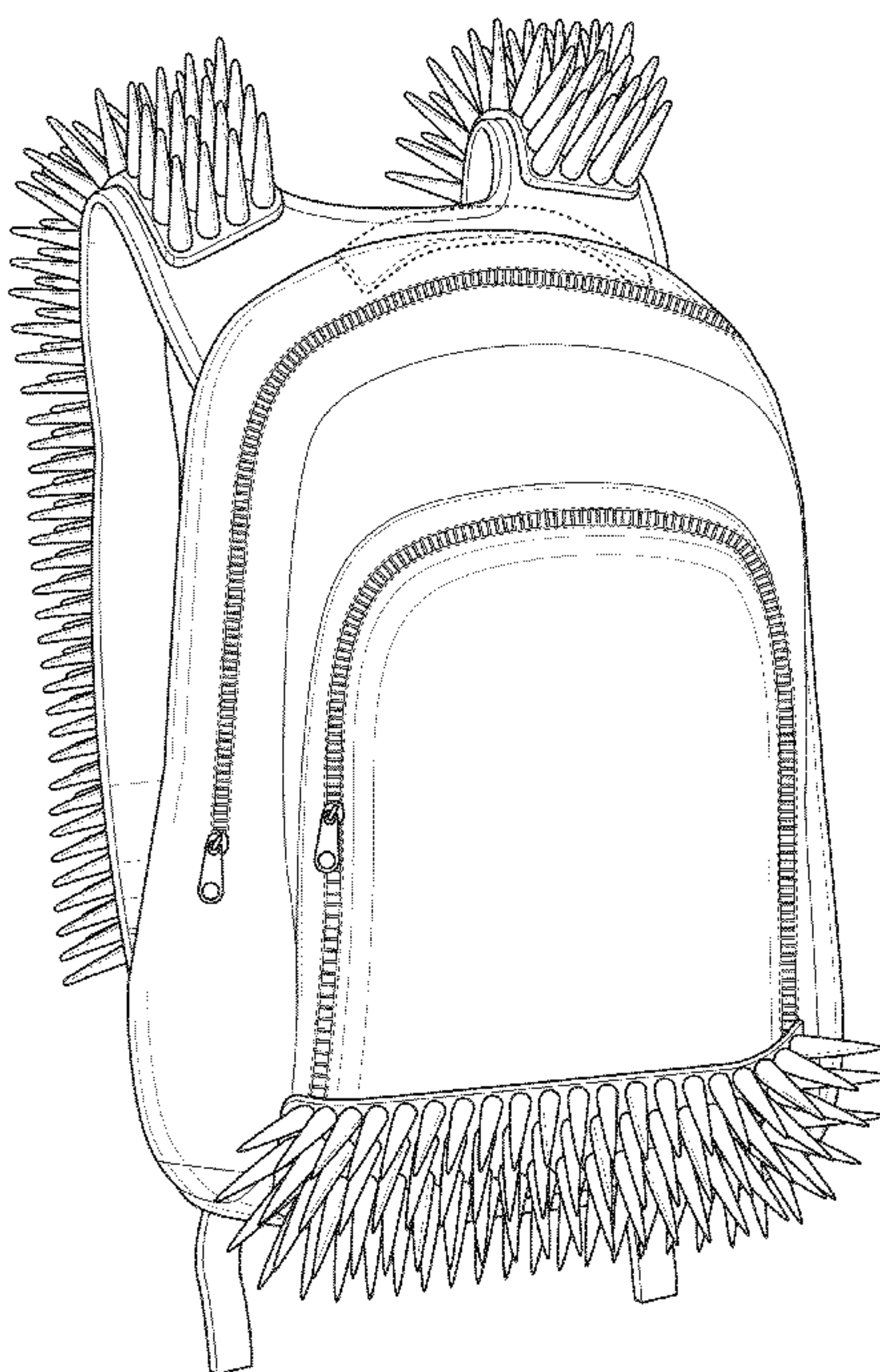
FIG. 1 is a front perspective view of the backpack, showing a configuration of my new design;
 FIG. 2 is a rear perspective view thereof;
 FIG. 3 is a right side view thereof;
 FIG. 4 is a top view thereof;
 FIG. 5 is a bottom view thereof;
 FIG. 6 is a front view thereof; and,
 FIG. 7 is a rear view thereof.

The left side view of the backpack is simply a mirror image of the right side view of the backpack shown in FIG. 3.

The loop at the top of the backpack depicted by broken lines has been shown for the purpose of illustrating a portion of the backpack that forms no part of the claimed design.

1 Claim, 6 Drawing Sheets

- (56) **References Cited**
U.S. PATENT DOCUMENTS
- | | | | | |
|--------------|---------|----------------|-------|---------|
| D77,686 S * | 2/1929 | Gold et al. | | D2/835 |
| D387,198 S * | 12/1997 | Lehmann et al. | | D3/217 |
| D399,053 S * | 10/1998 | de Moraes | | D3/216 |
| D451,274 S * | 12/2001 | Kegels | | D3/217 |
| D464,300 S * | 10/2002 | Ohm et al. | | D12/193 |



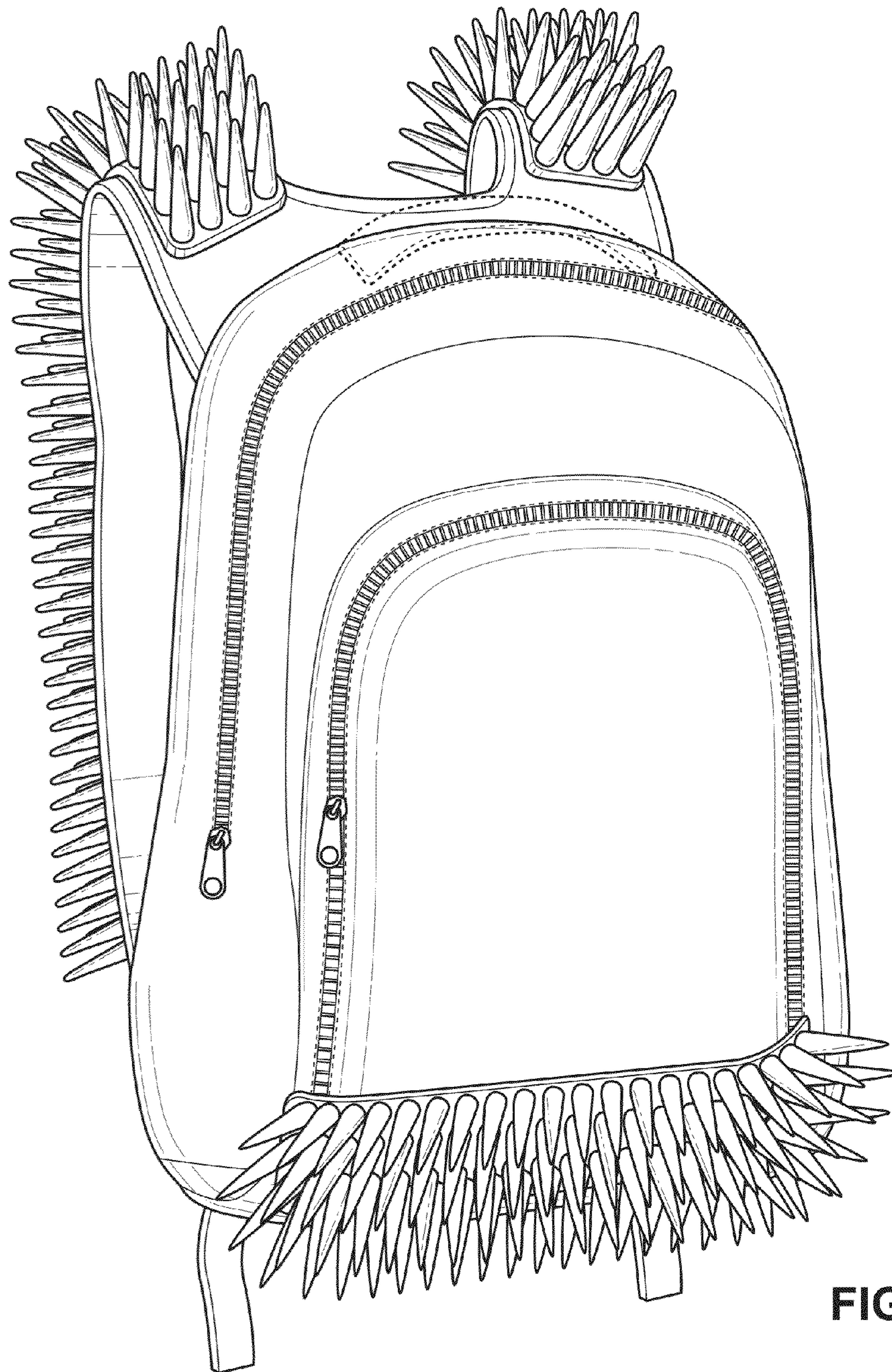


FIG. 1

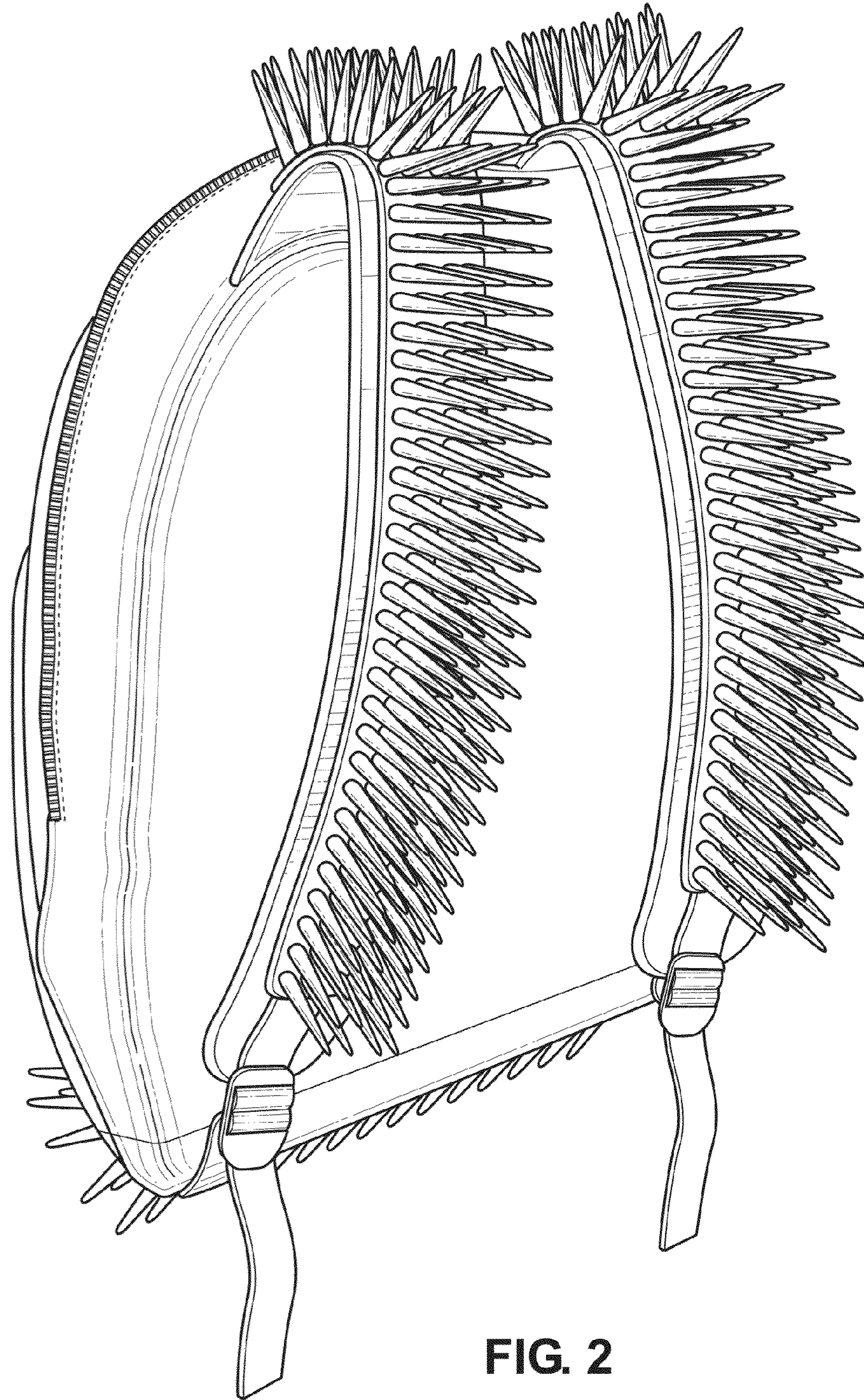


FIG. 2

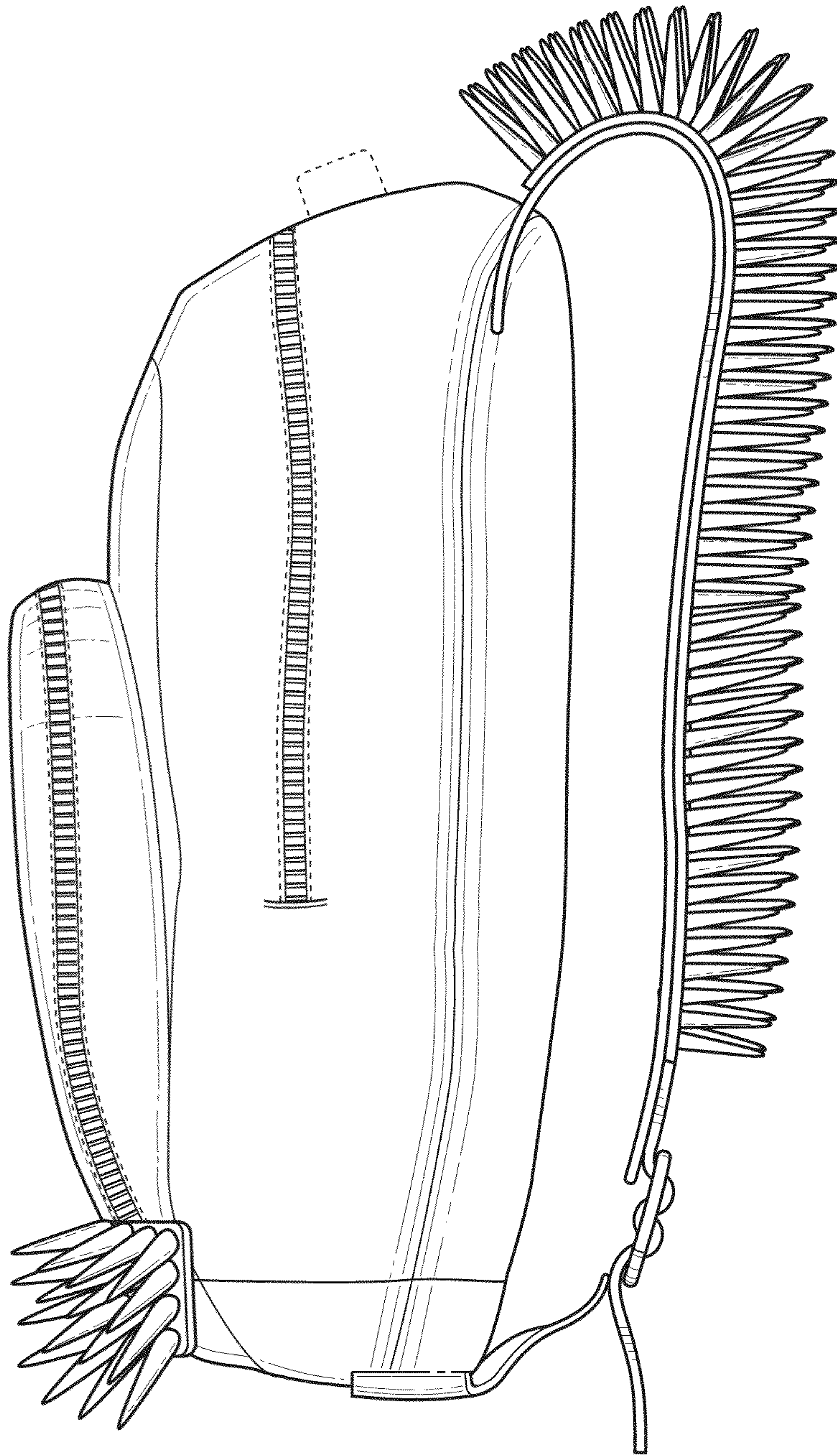


FIG. 3

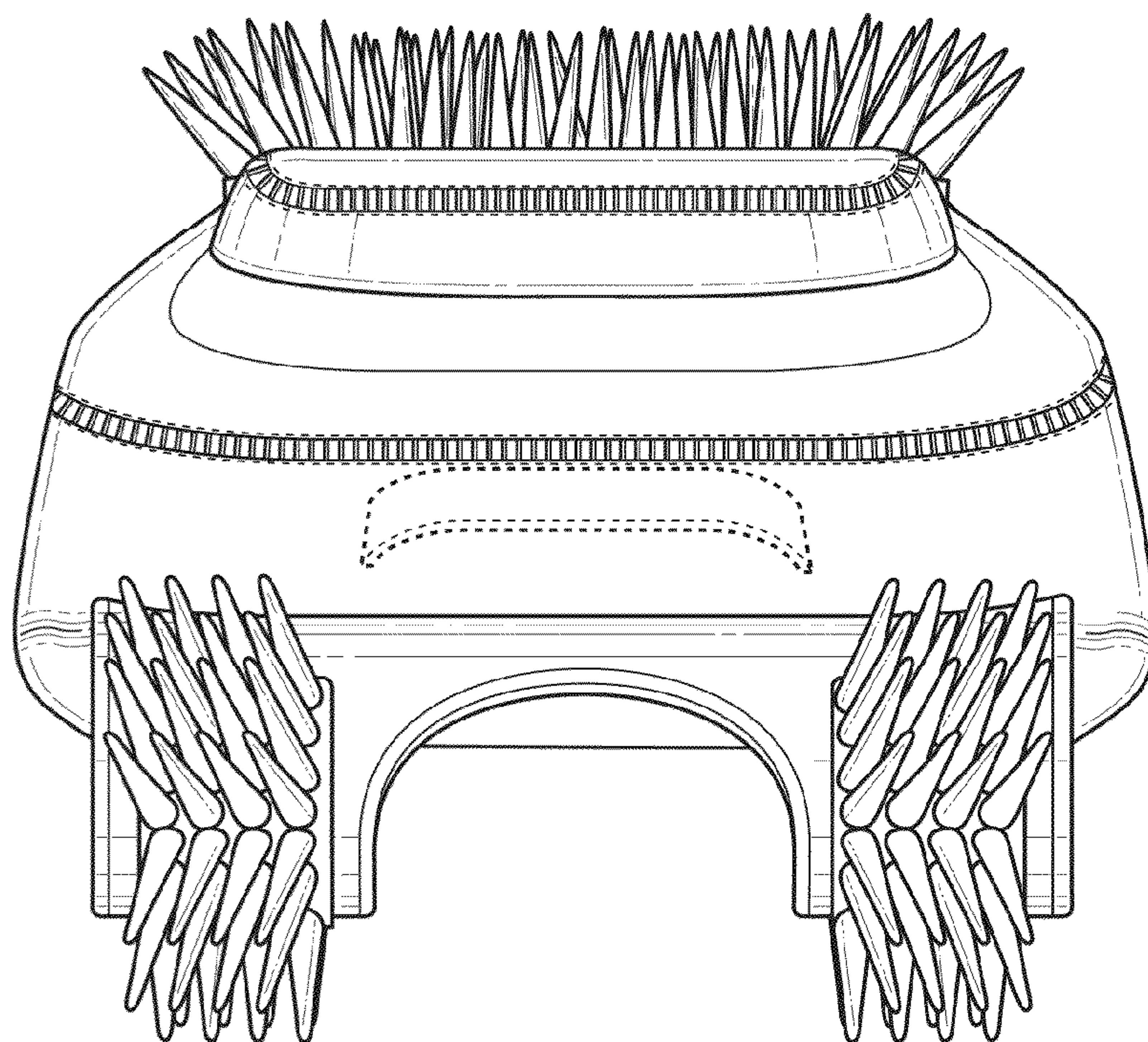


FIG. 4

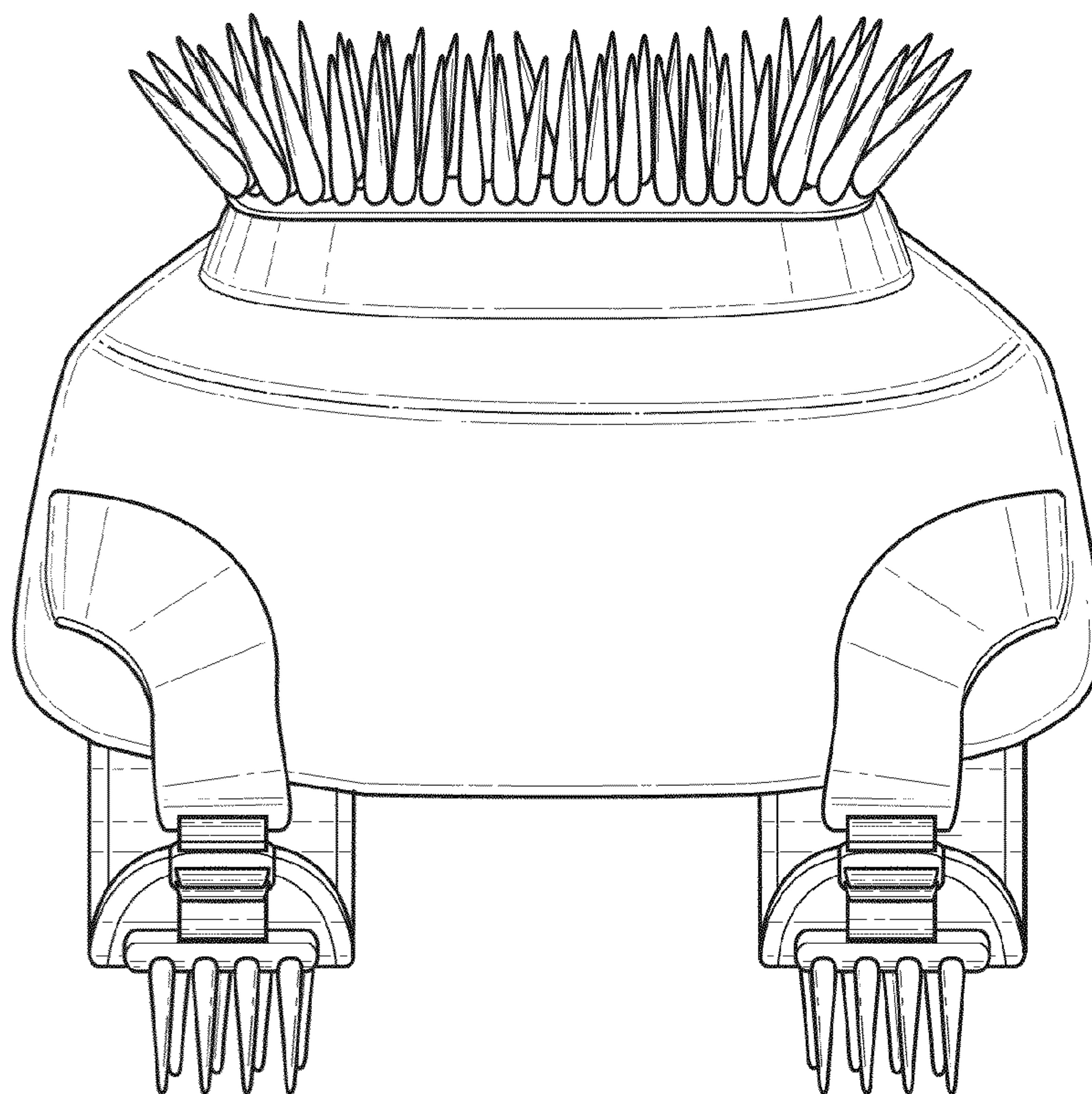


FIG. 5

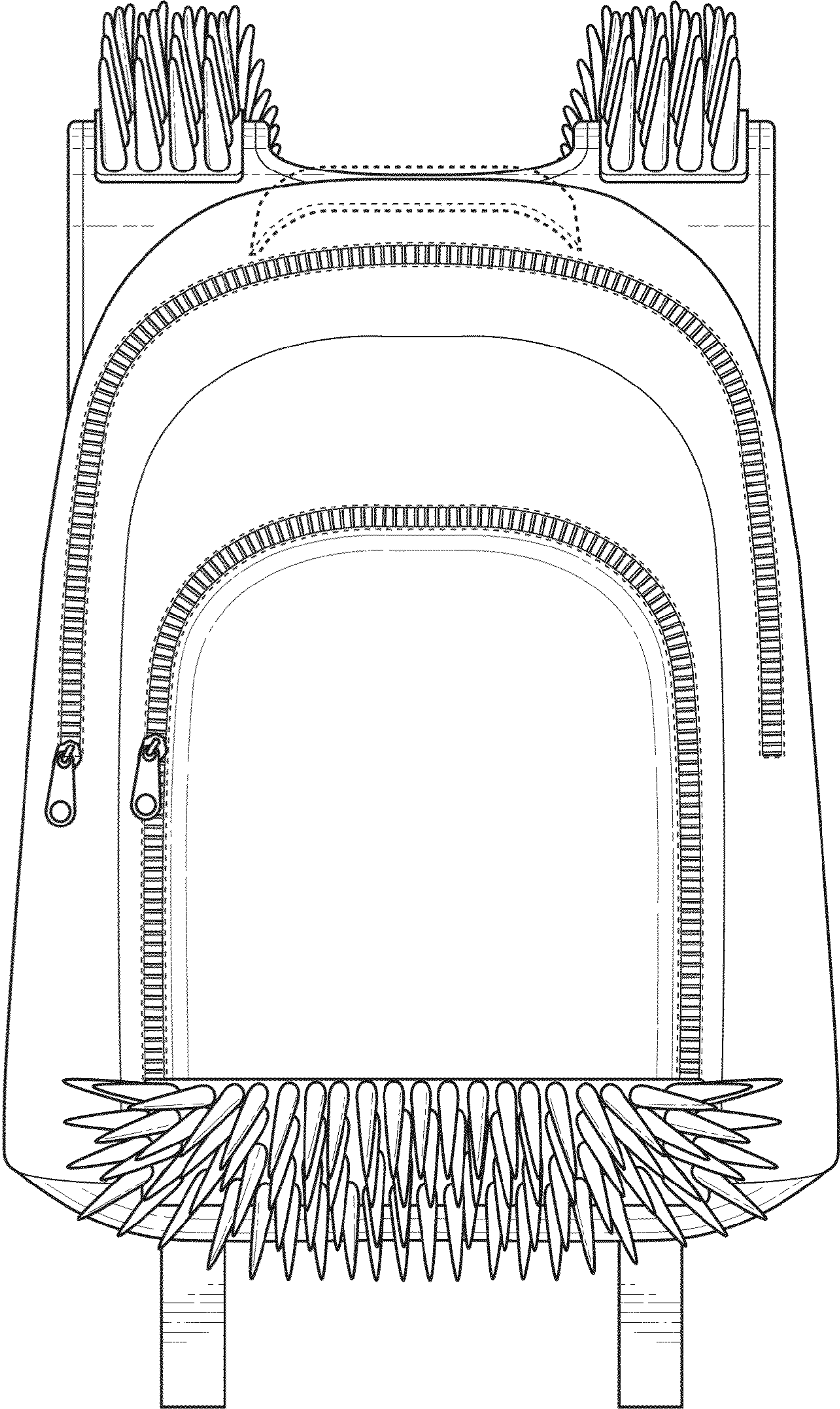


FIG. 6

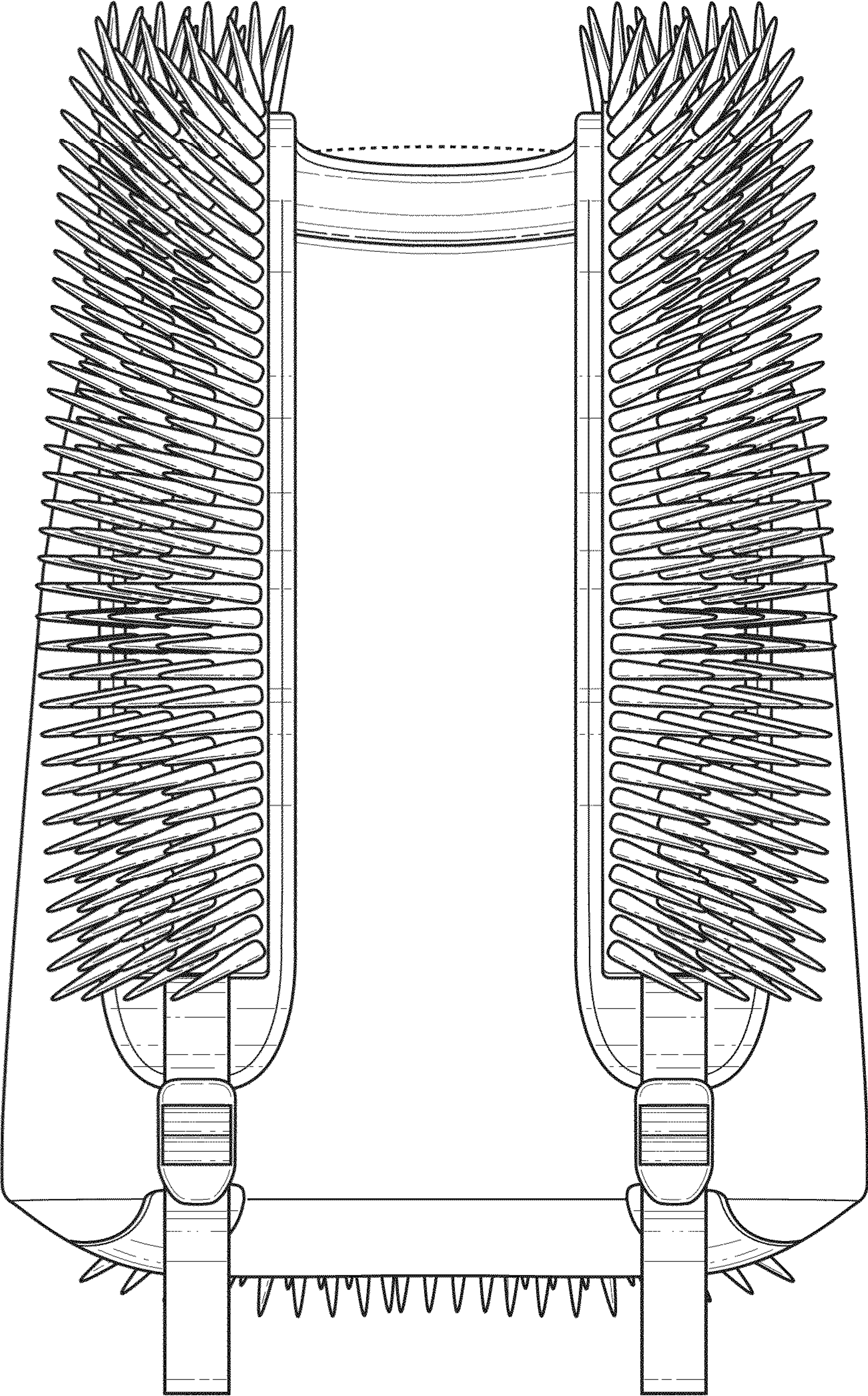


FIG. 7