



US00D725374S

(12) **United States Design Patent**
Oksanen

(10) **Patent No.:** **US D725,374 S**
(45) **Date of Patent:** **** Mar. 31, 2015**

(54) **KEY LIGHT FOR USE WITH A KEYCHAIN**
(71) Applicant: **Rauno Oksanen**, Los Angeles, CA (US)
(72) Inventor: **Rauno Oksanen**, Los Angeles, CA (US)
(73) Assignee: **Innovation Specialties**, Culver City, CA (US)

(**) Term: **14 Years**

(21) Appl. No.: **29/501,987**

(22) Filed: **Sep. 10, 2014**

(51) **LOC (10) Cl.** **03-01**

(52) **U.S. Cl.**
USPC **D3/209**

(58) **Field of Classification Search**
CPC H04R 5/033; H04R 1/1058; H04R 1/1033
USPC D11/1-2, 14, 26-29, 89-92, 44, 48, 81,
D11/99; 63/26-28, 32; D3/207-212; D8/16,
D8/38, 347, 348; 70/456 B, 457, 458;
206/37.1; D14/434, 435, 435.1, 436,
D14/439, 480.3, 480.1, 480.5, 480.7;
D24/174, 173, 480.3

See application file for complete search history.

(56) **References Cited**

U.S. PATENT DOCUMENTS

D441,524 S * 5/2001 Shimizu et al. D3/207
D541,040 S * 4/2007 Cui D3/207

D587,899 S * 3/2009 Oksanen D3/207
D598,193 S * 8/2009 Miles et al. D3/208
D636,175 S * 4/2011 Edocs D3/207
D636,986 S * 5/2011 Idsoe D3/208
D680,732 S * 4/2013 Nagy D3/207
D704,931 S * 5/2014 Abellera et al. D3/207
D714,538 S * 10/2014 Bestard-Ribas et al. D3/207

* cited by examiner

Primary Examiner — Ralf Seifert

(74) *Attorney, Agent, or Firm* — Thomas I. Rozsa

(57) **CLAIM**

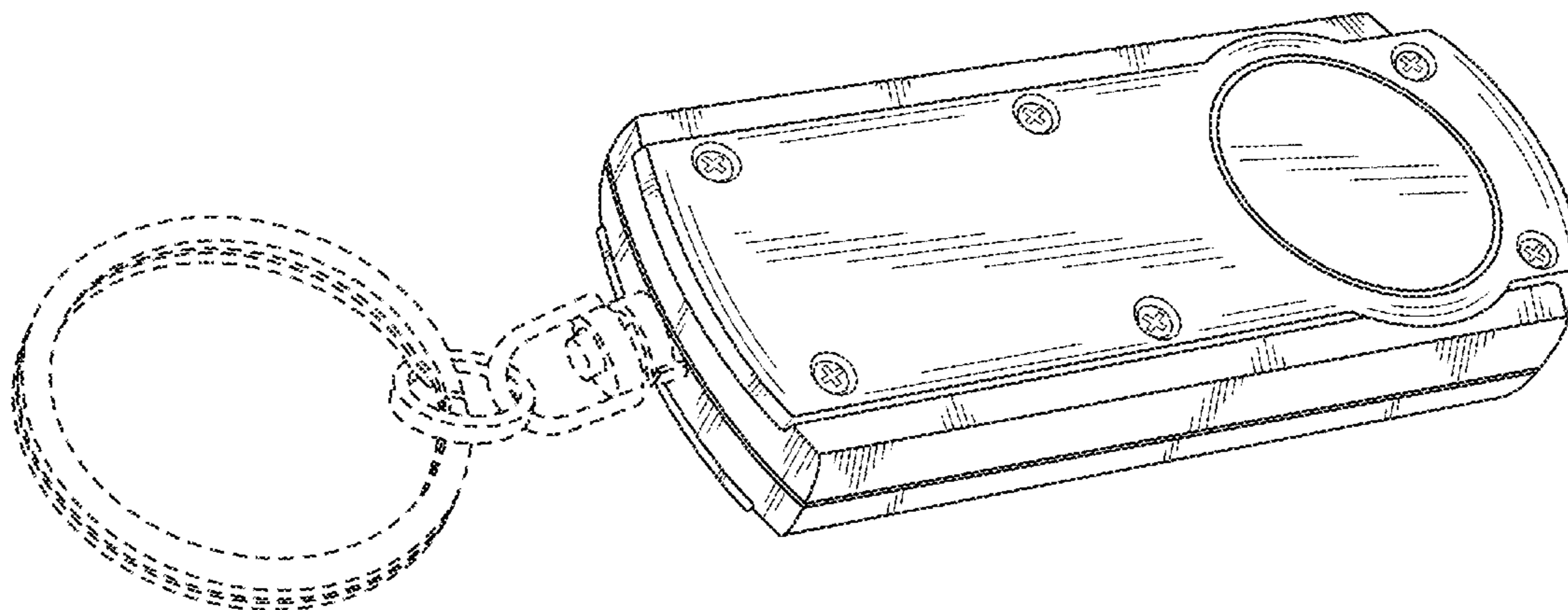
The ornamental design for a key light for use with a keychain, as shown and described.

DESCRIPTION

FIG. 1 is a top, right side, rear perspective view of the key light for use with a keychain, showing my new design;
FIG. 2 is a top, right side, front end view thereof;
FIG. 3 is a bottom, left side, front end perspective view thereof;
FIG. 4 is a bottom, right side, rear end view thereof;
FIG. 5 is a top elevational view thereof;
FIG. 6 is a bottom elevational view thereof;
FIG. 7 is a right side elevational view thereof;
FIG. 8 is a left side elevational view thereof;
FIG. 9 is a front end view; and,
FIG. 10 is a rear end view.

The broken lines depicting a keychain in FIGS. 1-8 show environmental subject matter only and form no part of the claimed design.

1 Claim, 8 Drawing Sheets



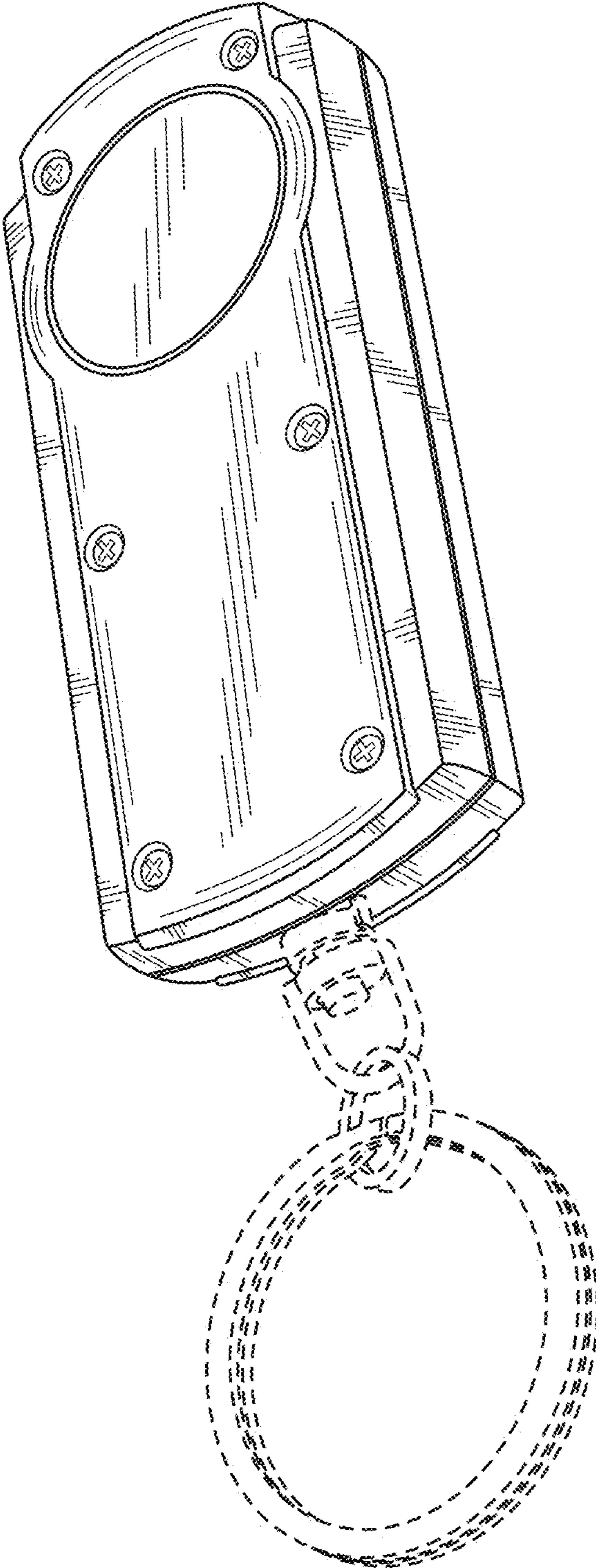


FIG. 1

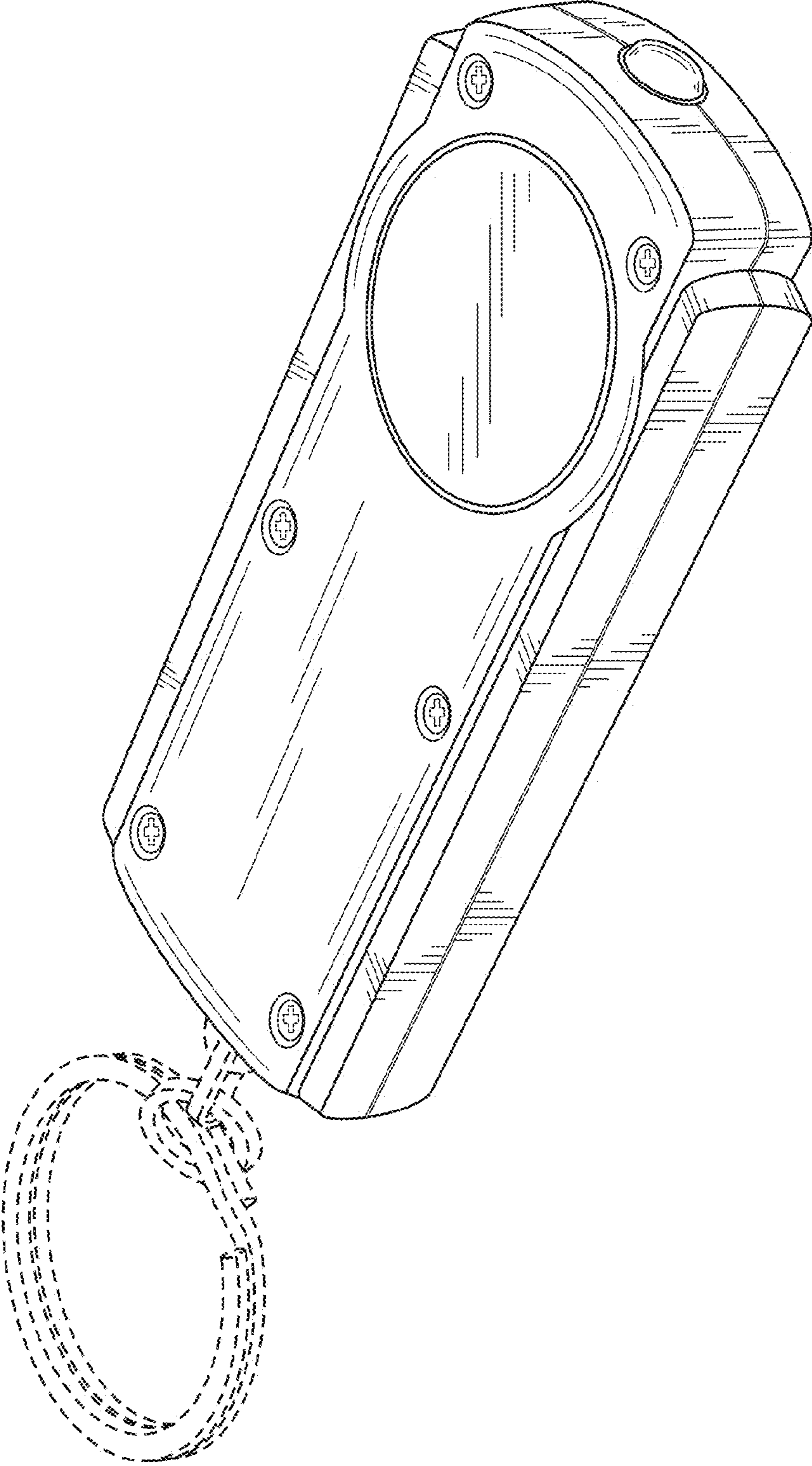


FIG. 2

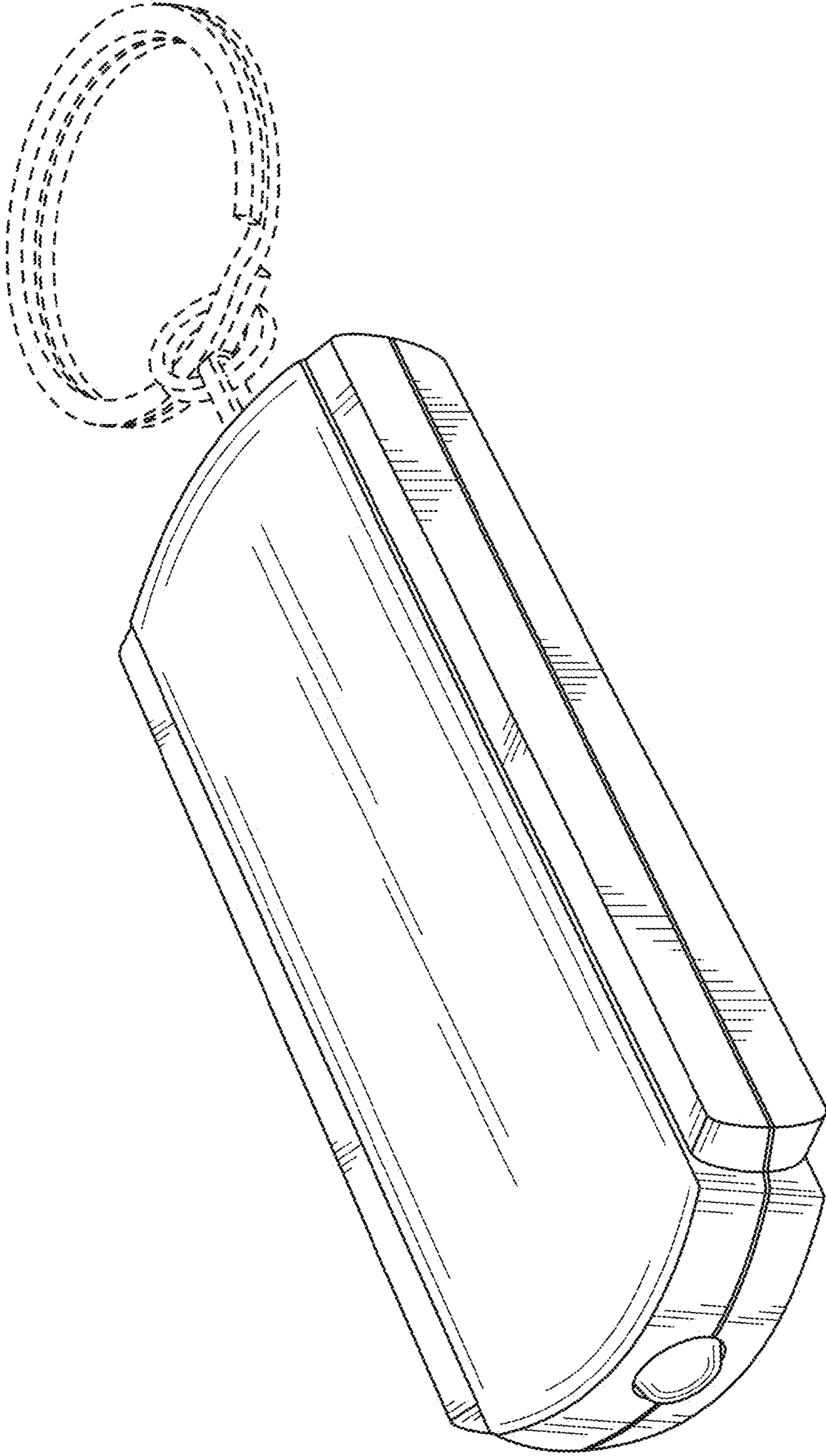


FIG. 3

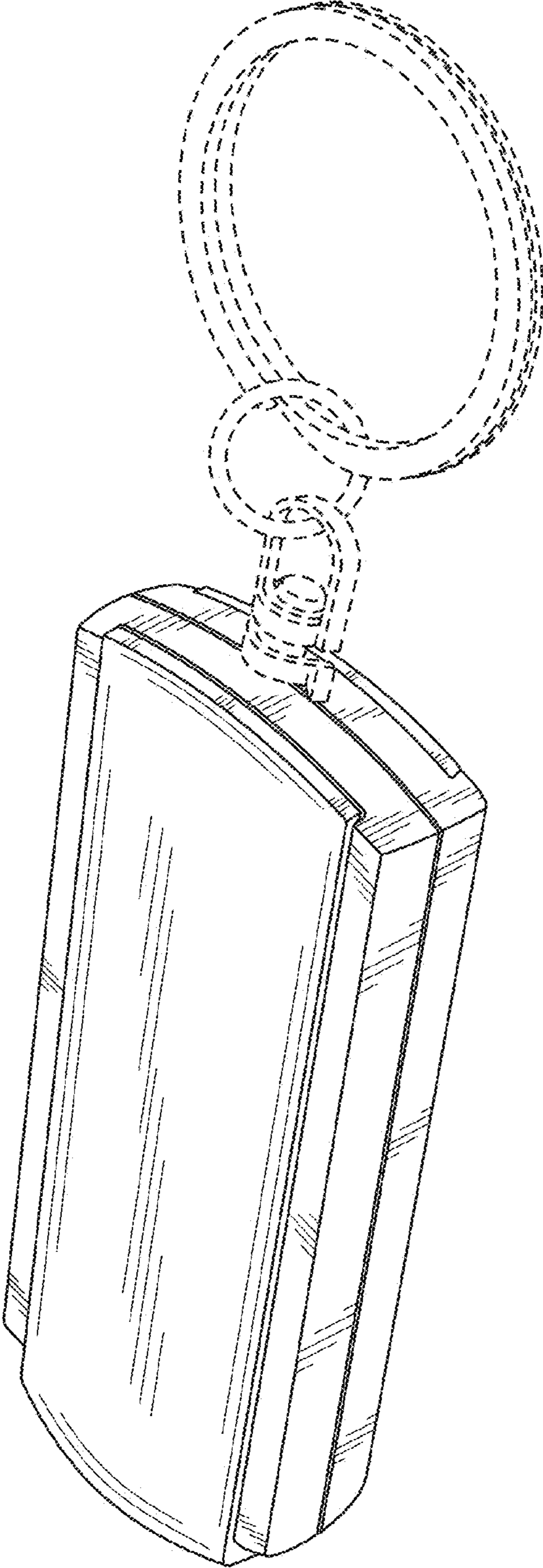


FIG. 4

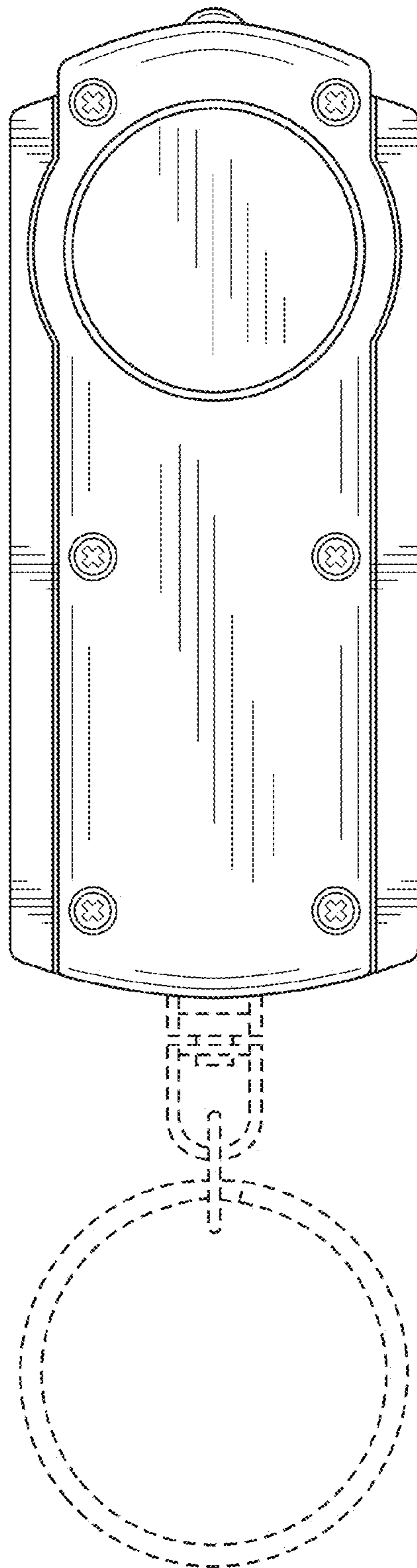


FIG. 5

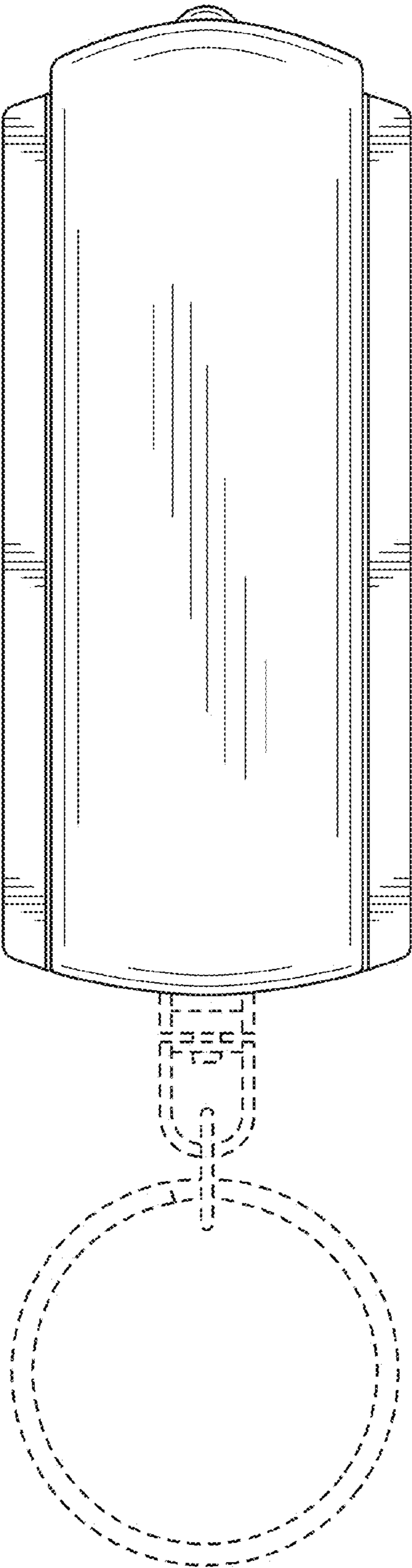


FIG. 6

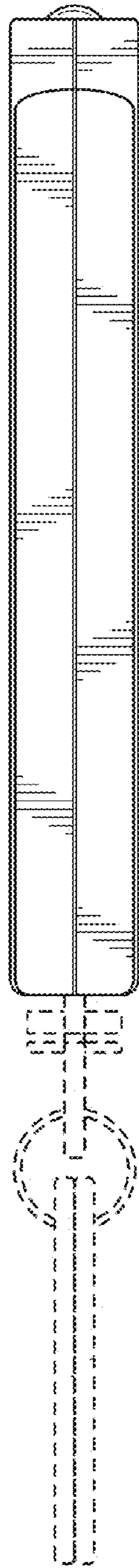


FIG. 7

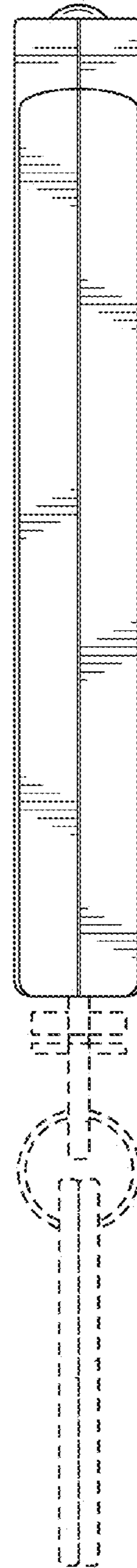


FIG. 8

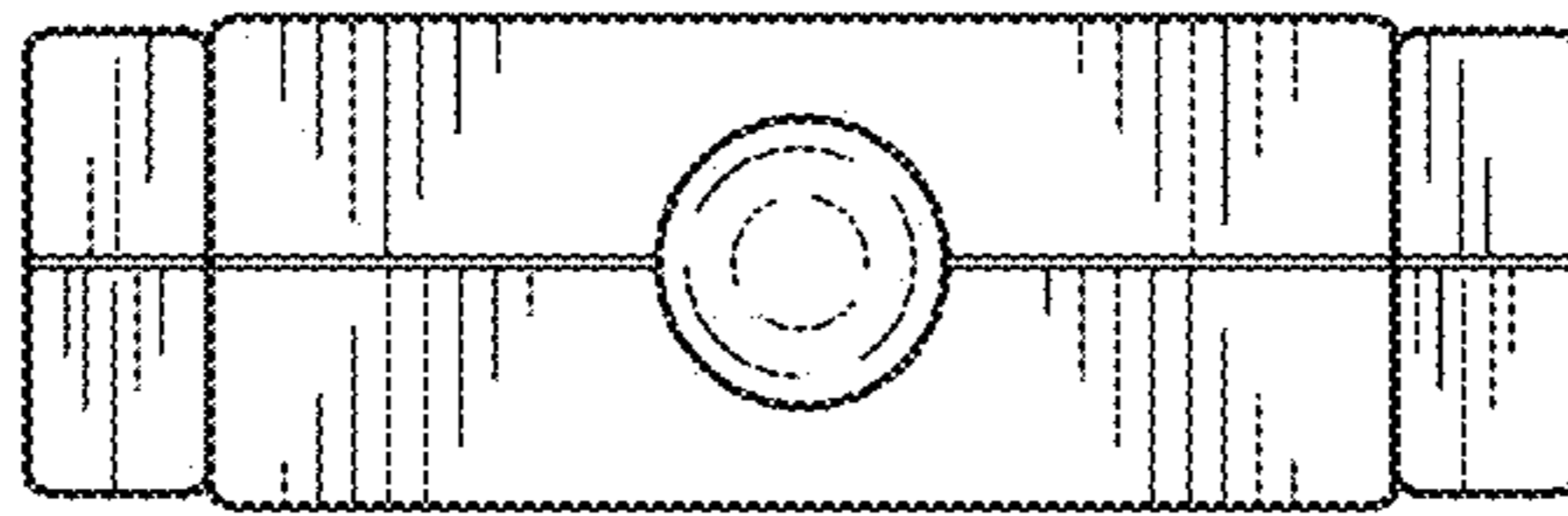


FIG. 9

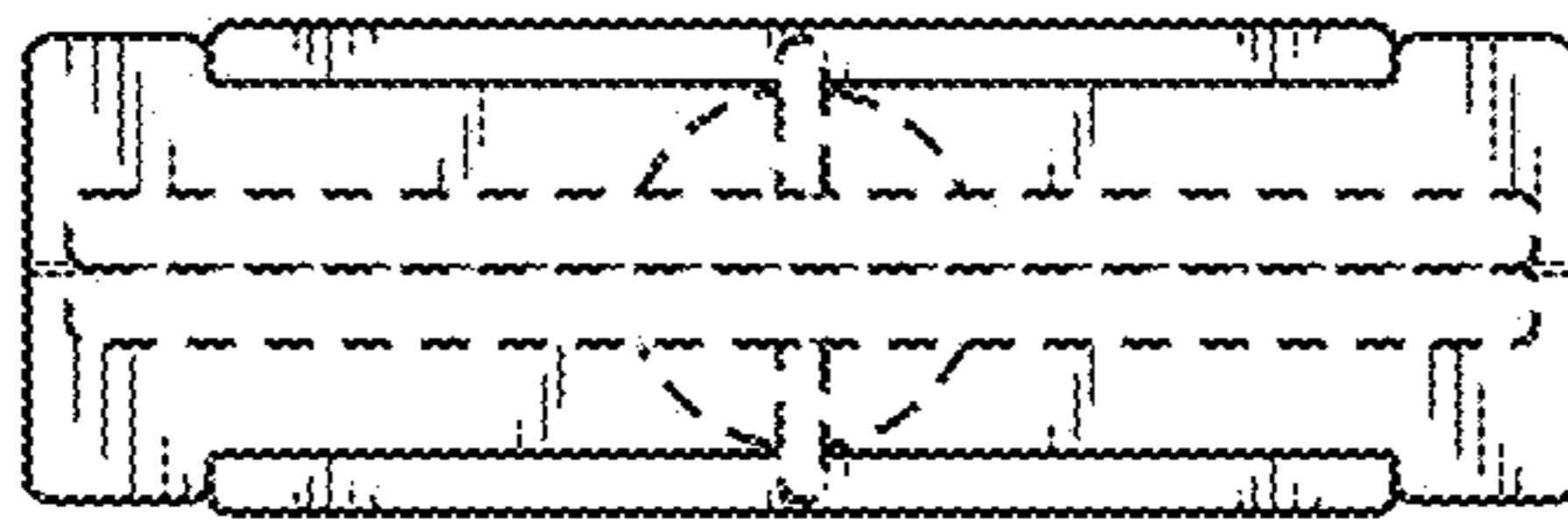


FIG. 10