



US00D725373S

(12) **United States Design Patent**
Jiang et al.

(10) **Patent No.:** **US D725,373 S**
(45) **Date of Patent:** **** Mar. 31, 2015**

(54) **KEY HOLDER**

(71) Applicants: **Hong Jiang**, Westfield, NJ (US);
Benjamin Jiang Cymbala, Westfield,
NJ (US)

(72) Inventors: **Hong Jiang**, Westfield, NJ (US);
Benjamin Jiang Cymbala, Westfield,
NJ (US)

(**) Term: **14 Years**

(21) Appl. No.: **29/482,154**

(22) Filed: **Feb. 14, 2014**

(51) **LOC (10) Cl.** **03-01**

(52) **U.S. Cl.**
USPC **D3/207**

(58) **Field of Classification Search**
CPC A45C 11/32; A47G 29/10; A44B 15/00
USPC D11/1-2, 14, 26-29, 89-92, 44, 48, 81,
D11/99; 63/26-28, 32; D3/207-212; D8/16,
D8/38, 347, 348; 70/456 B, 457, 458,
70/456 R; 206/37.1, 37; D14/434, 435,
D14/435.1, 436, 439, 480.3, 480.1, 480.5,
D14/480.7; D24/174, 173, 480.3
See application file for complete search history.

(56) **References Cited**

U.S. PATENT DOCUMENTS

4,191,038 A * 3/1980 Vaughn 70/457
D285,864 S * 9/1986 Sakai D3/207

D444,685 S * 7/2001 Shenkel et al. D8/18
D577,574 S * 9/2008 Liang D8/367
D607,712 S * 1/2010 Kelleghan D8/356
D639,046 S * 6/2011 Ormsbee et al. D3/207
D646,556 S * 10/2011 Kelleghan D8/356
D652,971 S * 1/2012 Ormsbee et al. D26/38
D670,902 S * 11/2012 McSweyn et al. D3/208
D698,625 S * 2/2014 Liang D8/356
D698,636 S * 2/2014 Weinberg D8/394
D702,109 S * 4/2014 Weinberg D8/356
D708,843 S * 7/2014 Warner et al. D3/207
2013/0232741 A1 9/2013 Liang

* cited by examiner

Primary Examiner — Ralf Seifert

(74) *Attorney, Agent, or Firm* — Fish & Richardson P.C.

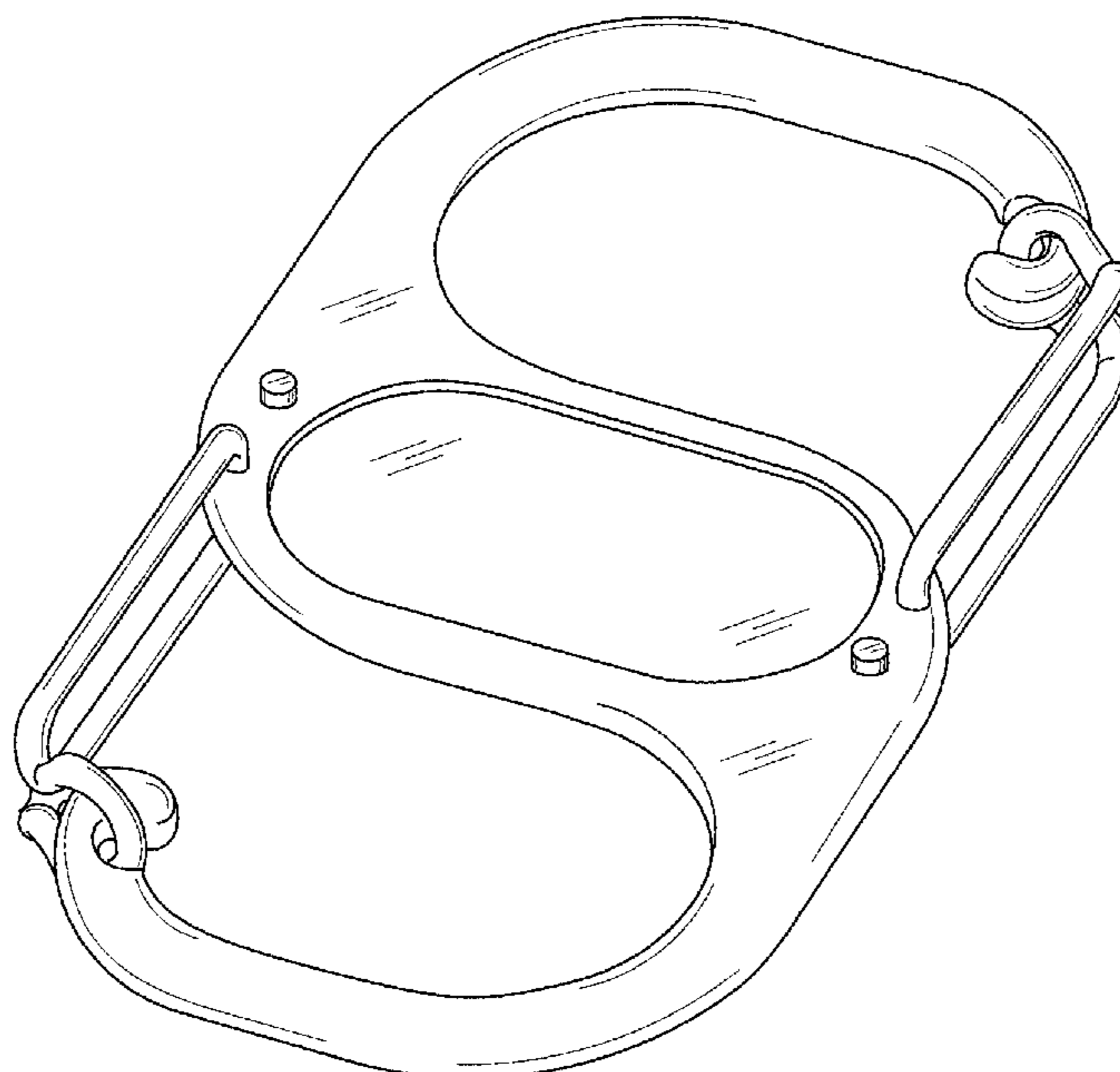
(57) **CLAIM**

The ornamental design for a key holder, substantially as shown and described.

DESCRIPTION

FIG. 1 is a perspective view of a key holder showing our new design;
FIG. 2 is a back view;
FIG. 3 is a front;
FIG. 4 is a left;
FIG. 5 is a right view;
FIG. 6 is a top view;
FIG. 7 is a bottom view; and,
FIG. 8 is a perspective view of a key holder showing the second embodiment of our new design.

1 Claim, 4 Drawing Sheets



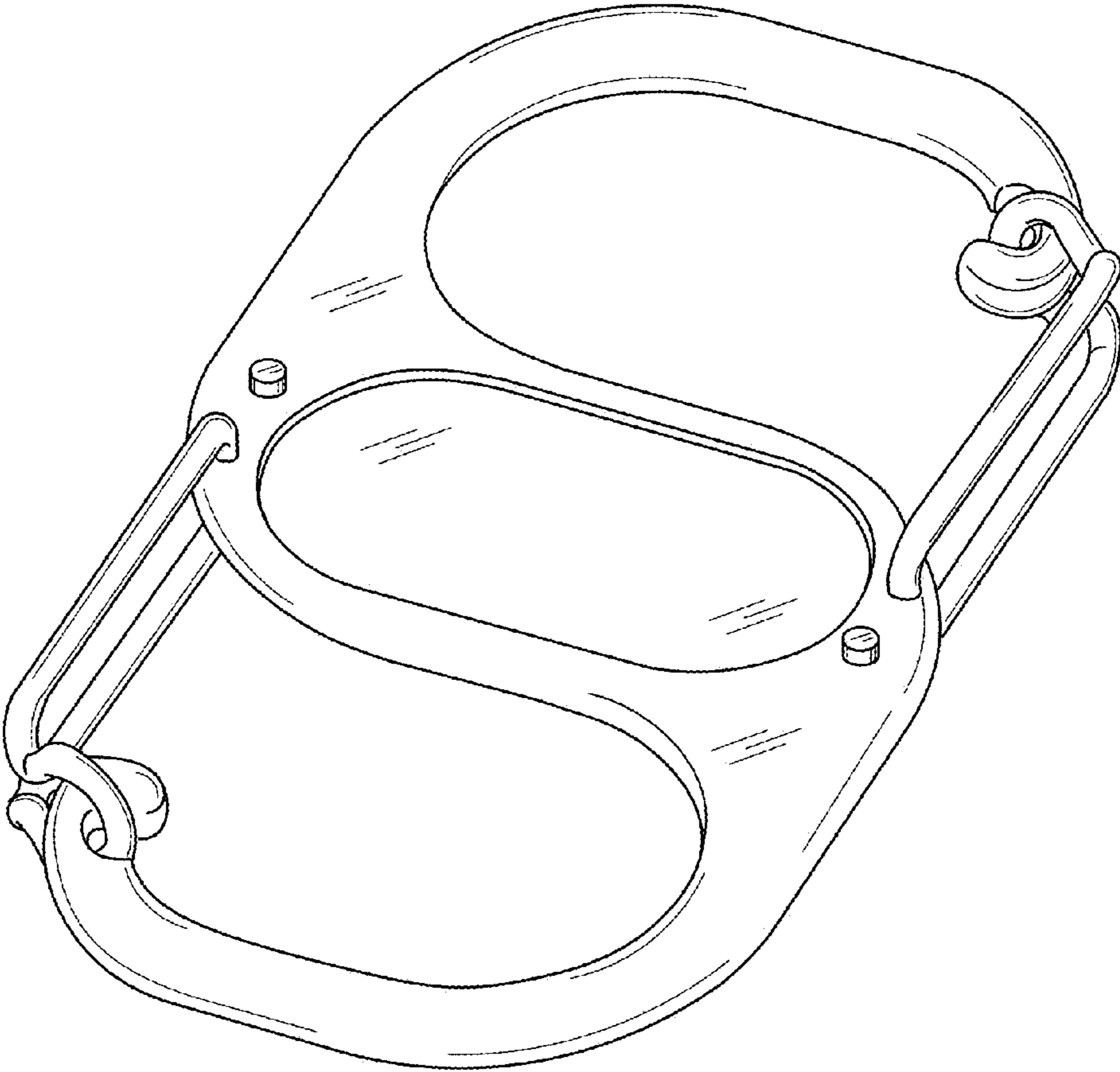


FIG. 1

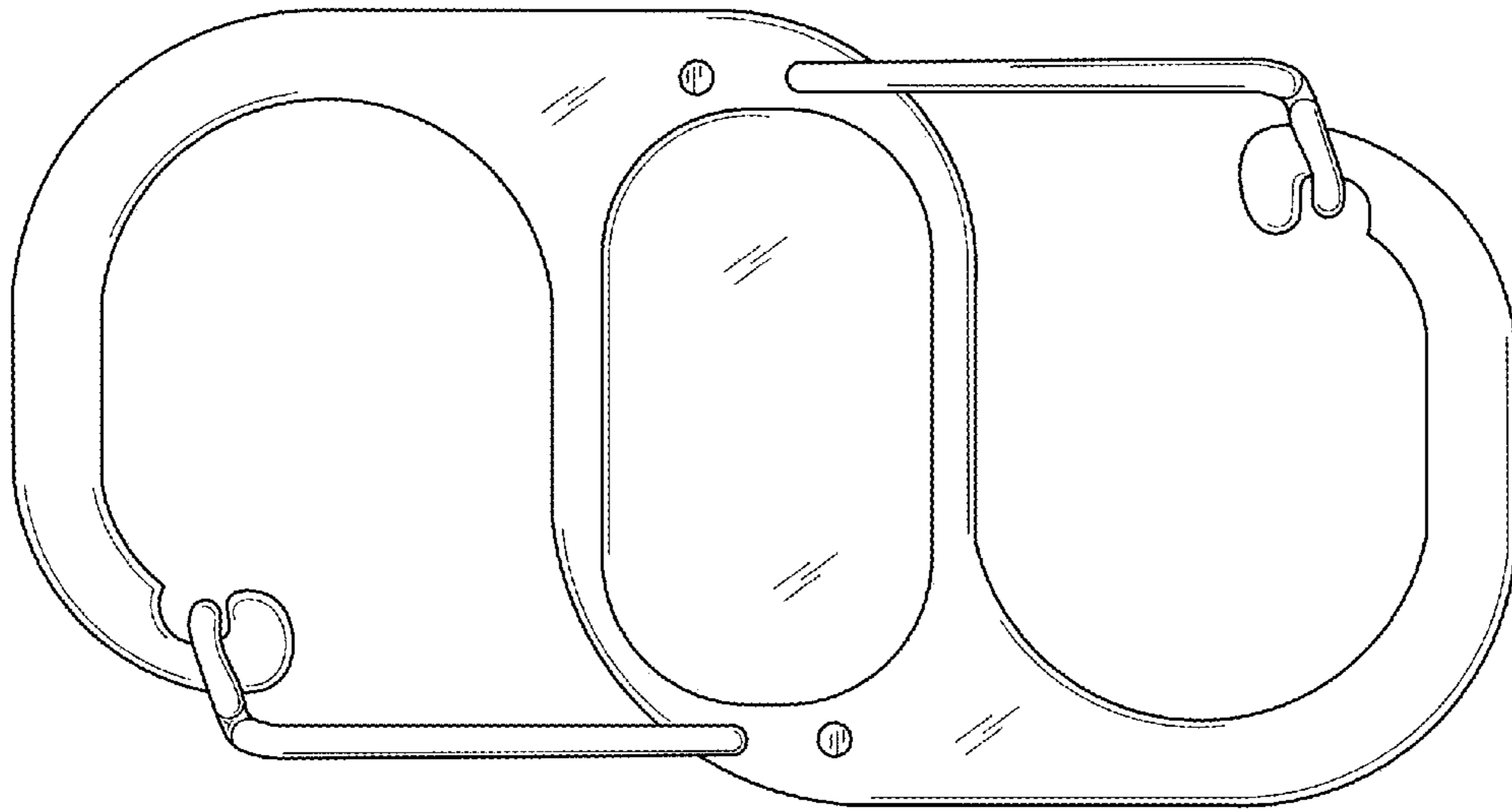


FIG. 2

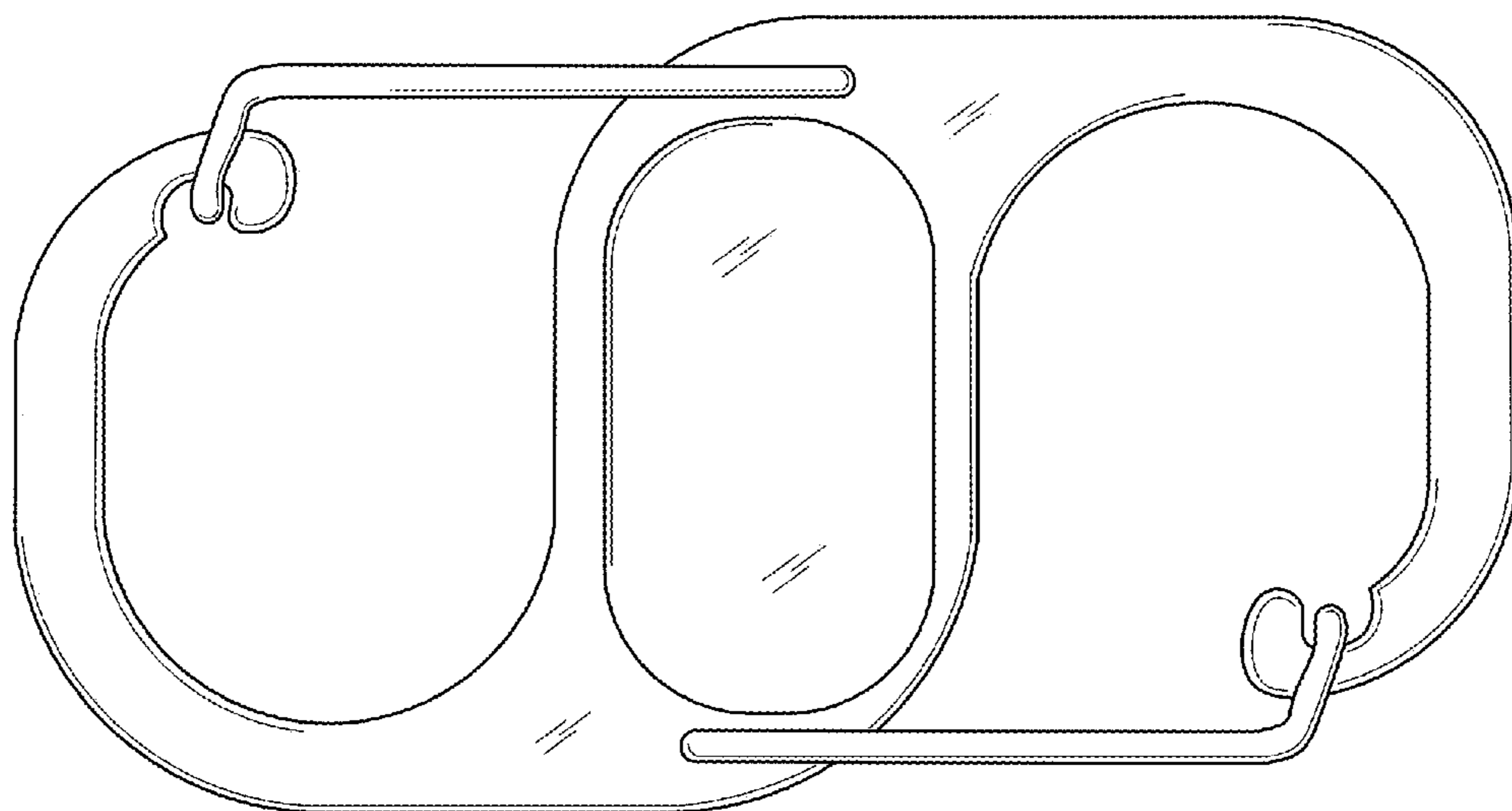


FIG. 3

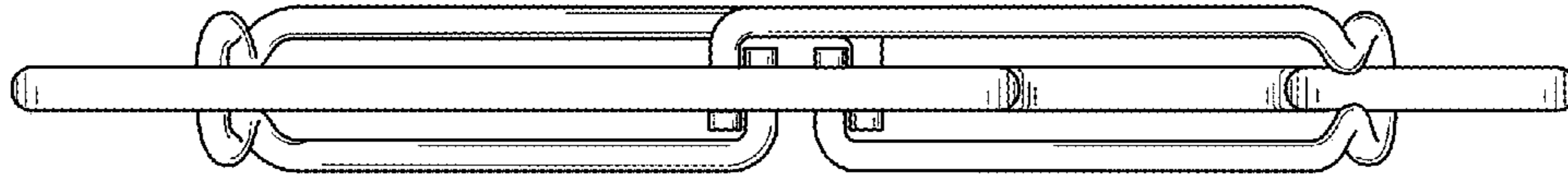


FIG. 4

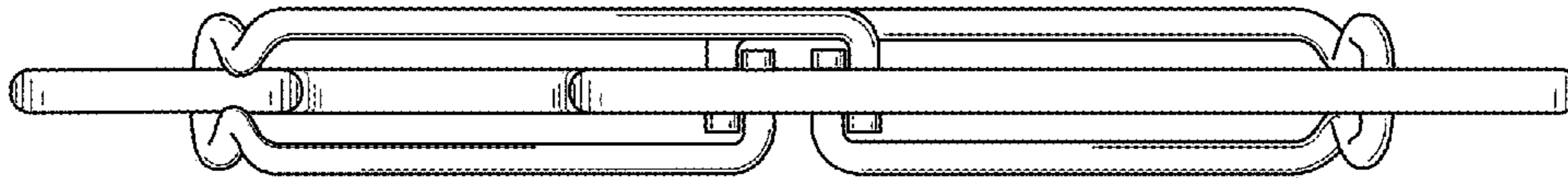


FIG. 5

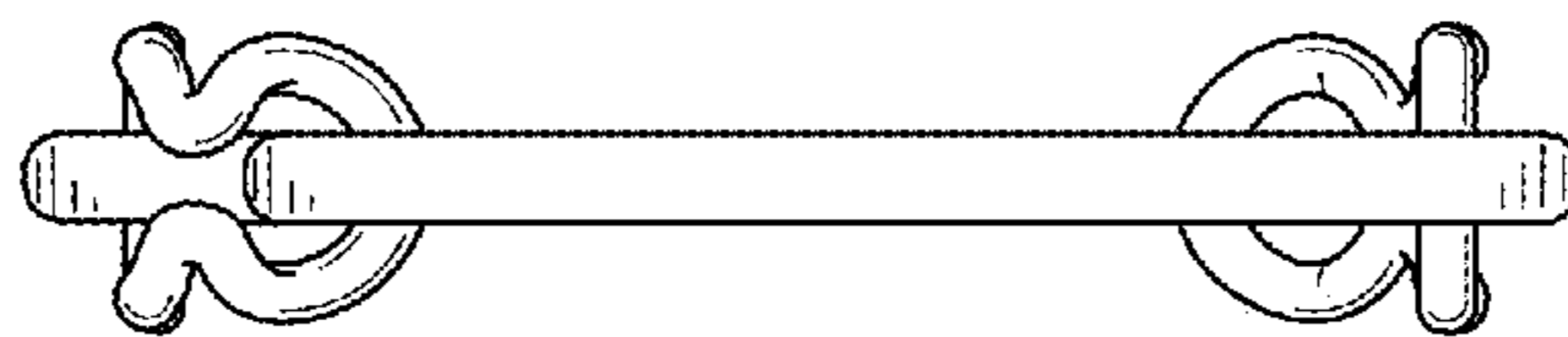


FIG. 6

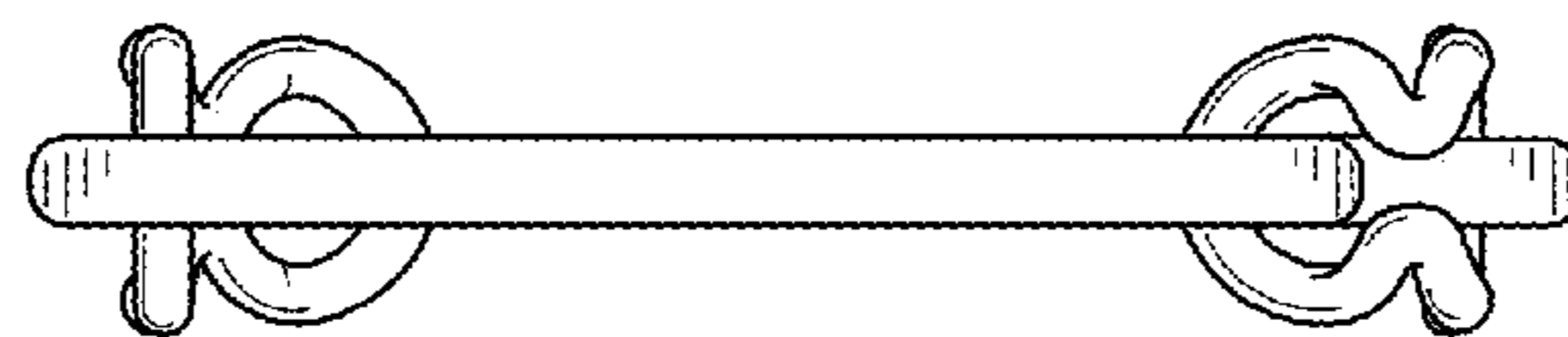


FIG. 7

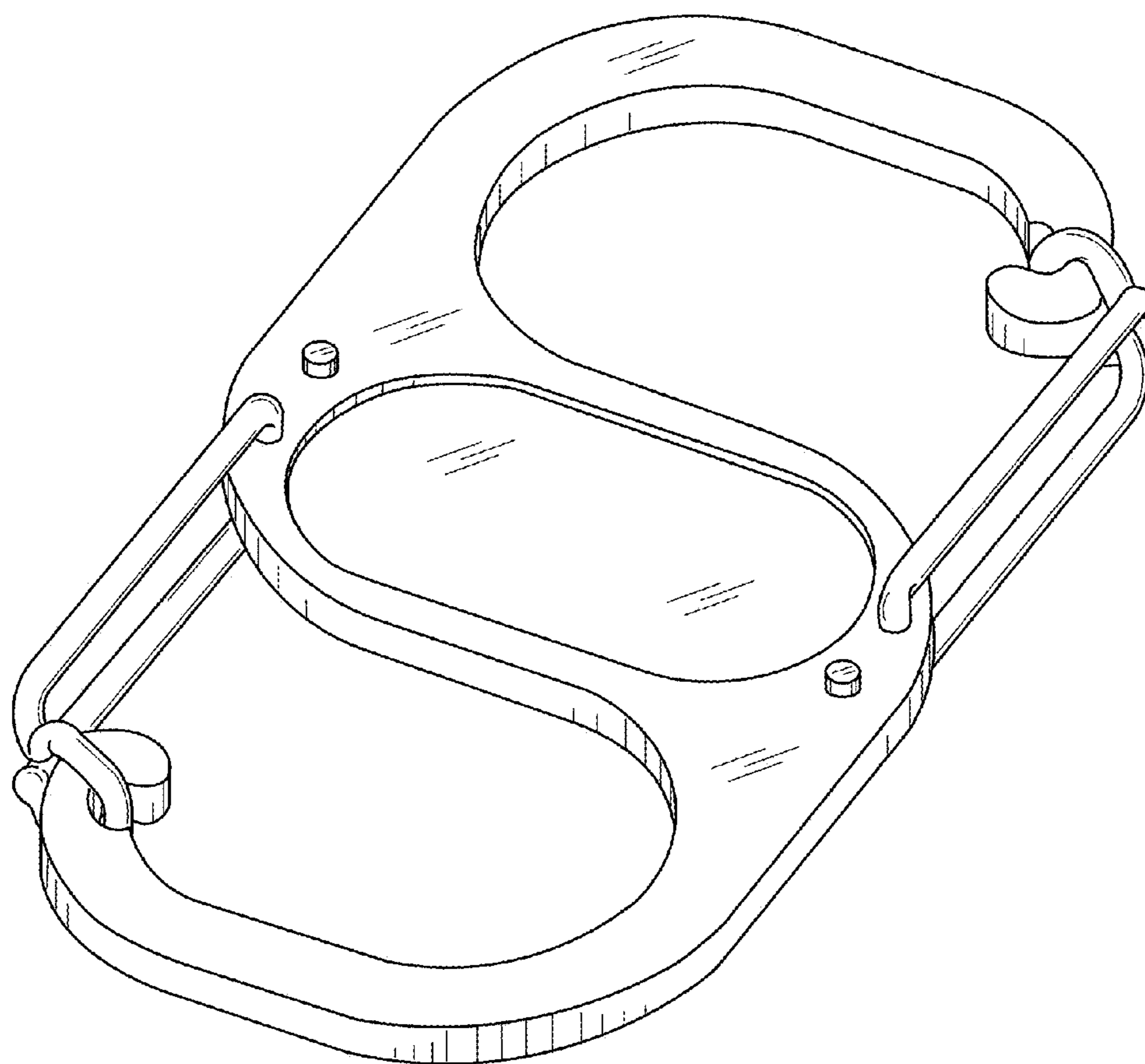


FIG. 8