



US00D725370S

(12) **United States Design Patent**
Amphyon

(10) **Patent No.:** **US D725,370 S**
(45) **Date of Patent:** **** Mar. 31, 2015**

(54) **UPPER OF A FOOTWEAR ARTICLE**

(71) Applicant: **Guillaume Amphyon, Sevrier (FR)**

(72) Inventor: **Guillaume Amphyon, Sevrier (FR)**

(73) Assignee: **Wilson Sporting Goods Co., Chicago, IL (US)**

(**) Term: **14 Years**

(21) Appl. No.: **29/441,304**

(22) Filed: **Jan. 3, 2013**

(51) **LOC (10) Cl.** **02-99**

(52) **U.S. Cl.**
USPC **D2/972**

(58) **Field of Classification Search**

USPC D2/902, 906-908, 944, 969, 972-974;
36/245, 50.1, 77 M, 77 R, 83, 88, 113,
36/114, 126-131

See application file for complete search history.

(56) **References Cited**

U.S. PATENT DOCUMENTS

D281,115 S * 10/1985 Campbell et al. D2/907
D281,285 S * 11/1985 Campbell et al. D2/907
D294,766 S * 3/1988 Igoe D2/907
D297,781 S * 9/1988 Diaz et al. D2/973

D298,982 S * 12/1988 Lussier D2/973
D302,898 S * 8/1989 Greenberg D2/969
D303,315 S * 9/1989 Tong et al. D2/973
D309,055 S * 7/1990 Whatley D2/969
D514,788 S * 2/2006 Schoenborn et al. D2/969
D515,299 S * 2/2006 Burg D2/969
D560,895 S * 2/2008 St. Louis D2/969
D624,742 S * 10/2010 Akhidime D2/969
D659,372 S * 5/2012 Stryjak et al. D2/972
D659,978 S * 5/2012 Grenet et al. D2/972
D690,496 S * 10/2013 Leleu D2/972

* cited by examiner

Primary Examiner — Dominic Simone

(74) *Attorney, Agent, or Firm* — Terence P. O'Brien

(57) **CLAIM**

I claim the ornamental design for an upper of a footwear article, as shown and described.

DESCRIPTION

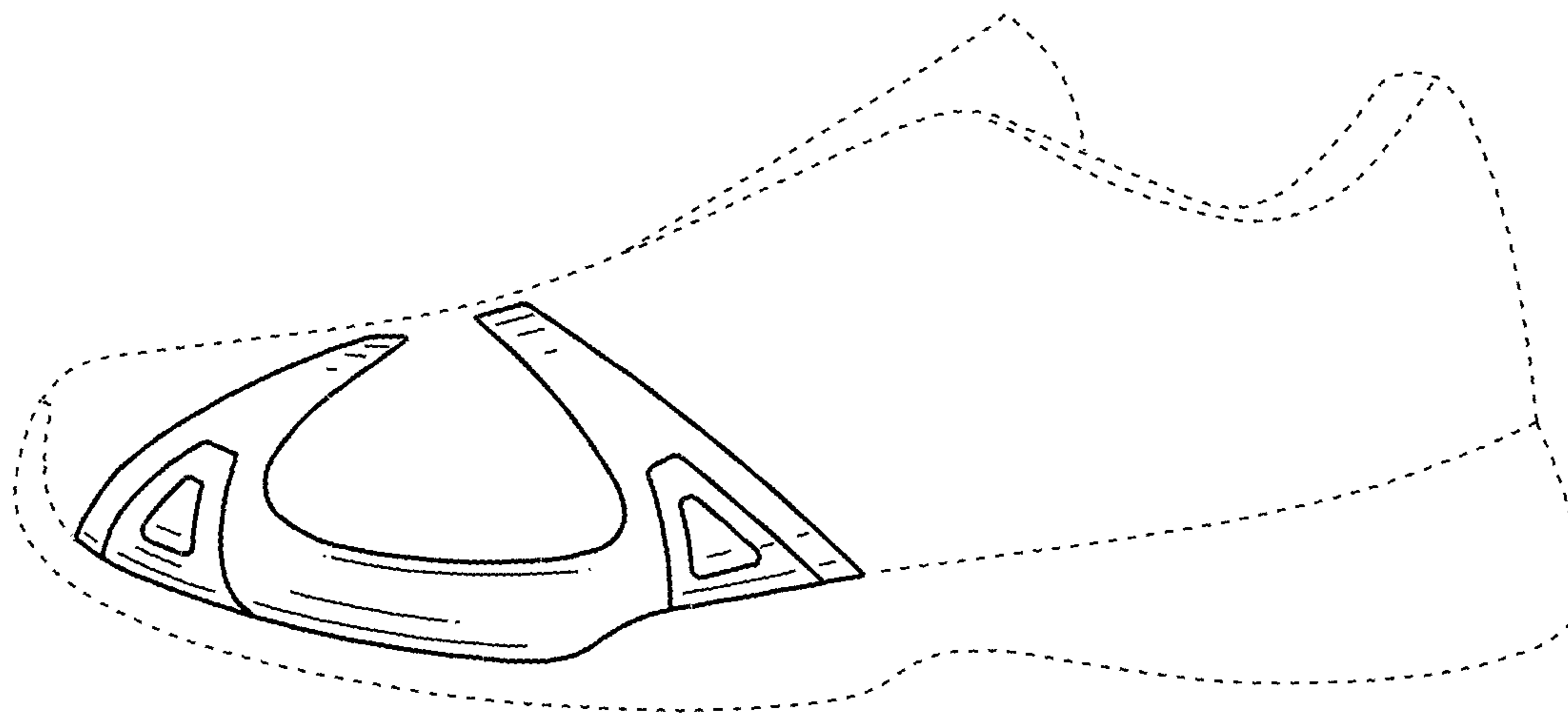
FIG. 1 is a side perspective view of an upper of a footwear article;

FIG. 2 is a side view of the upper of a footwear article of FIG. 1; and,

FIG. 3 is a top view of the upper of a footwear article of FIG. 1.

The ornamental design that is claimed is shown in solid lines in the drawings. The broken (dashed) lines shown in the figures are included for the purpose of illustrating environmental elements only and form no part of the claimed design.

1 Claim, 2 Drawing Sheets



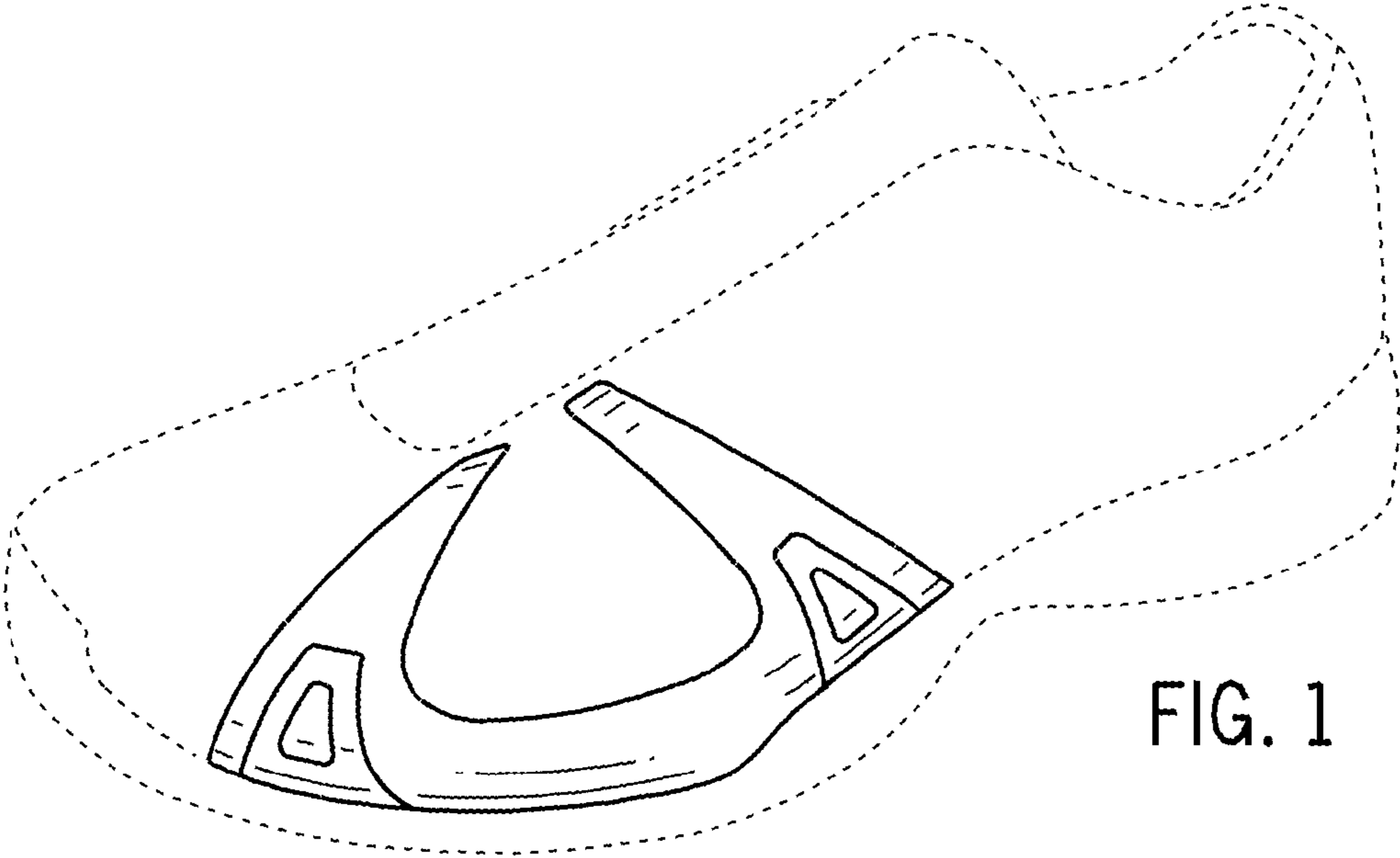


FIG. 1

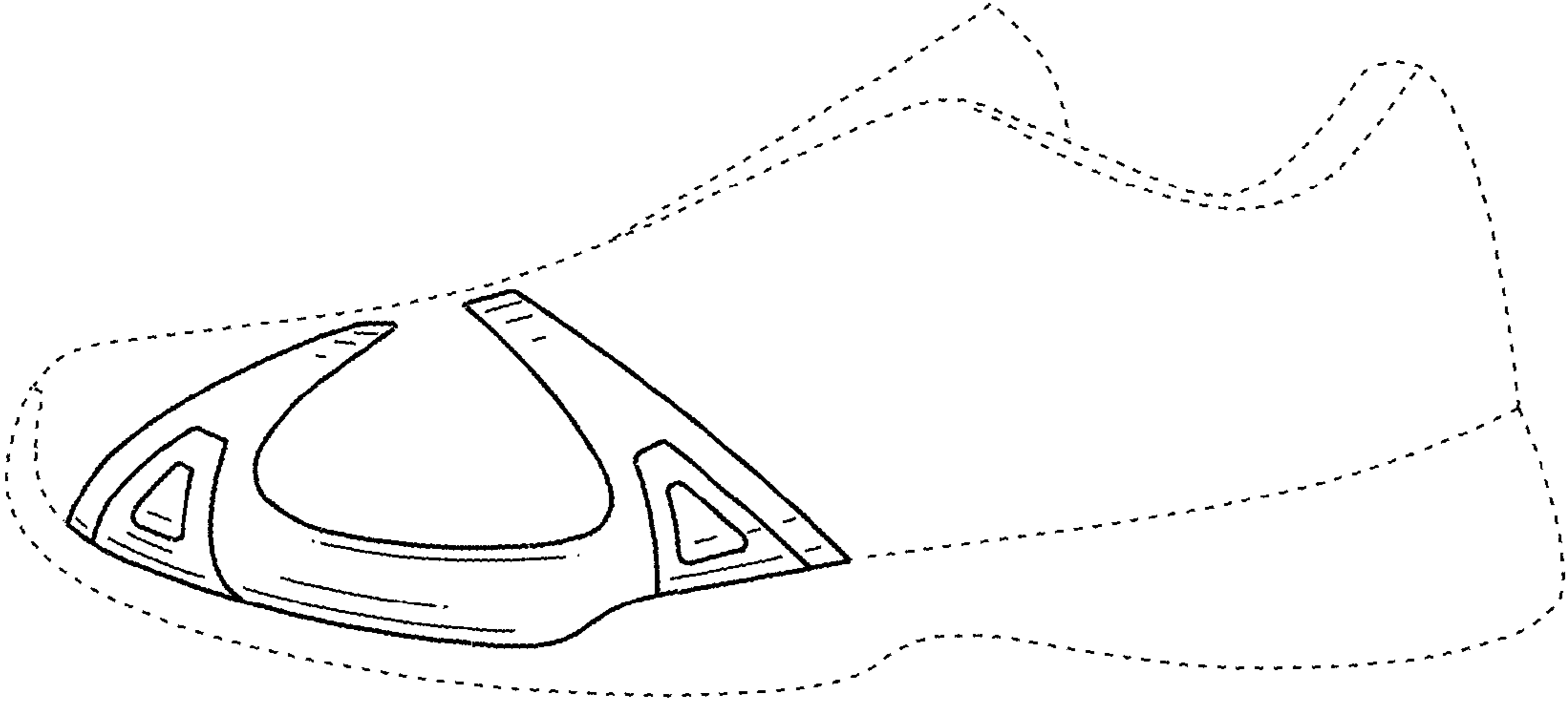


FIG. 2

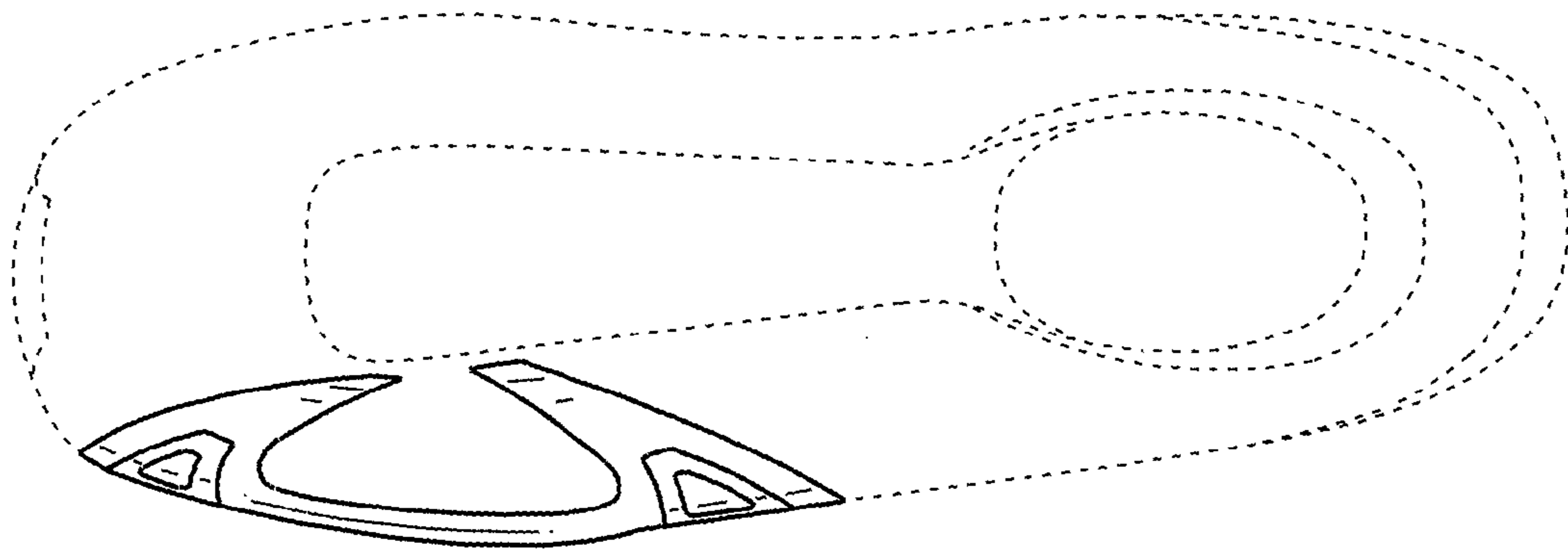


FIG. 3