

US00D725367S

(12) **United States Design Patent**
Bosomworth

(10) **Patent No.:** **US D725,367 S**
(45) **Date of Patent:** **** Mar. 31, 2015**

(54) **UPPER OF A FOOTWEAR ARTICLE**

(71) Applicant: **Warren Bosomworth**, Annecy-le-Vieux (FR)

(72) Inventor: **Warren Bosomworth**, Annecy-le-Vieux (FR)

(73) Assignee: **Salomon S.A.S.**, Annecy (FR)

(**) Term: **14 Years**

(21) Appl. No.: **29/440,453**

(22) Filed: **Dec. 21, 2012**

(30) **Foreign Application Priority Data**

Jun. 22, 2012 (WO) DM/078 630

(51) **LOC (10) Cl.** **02-99**

(52) **U.S. Cl.**
USPC **D2/972**

(58) **Field of Classification Search**
USPC D2/902, 906-908, 944, 969, 972-974;
36/245, 50.1, 77 M, 77 R, 83, 88, 113,
36/114, 126-131
See application file for complete search history.

(56) **References Cited**

U.S. PATENT DOCUMENTS

D362,333 S *	9/1995	Teague	D2/969
D401,755 S	12/1998	Zinovieff		
D404,542 S	1/1999	Donnadieu		
D404,543 S	1/1999	Donnadieu		
D409,368 S *	5/1999	Clarke	D2/972
D415,875 S	11/1999	Falguere		
D425,693 S	5/2000	Fellouhe		
D426,949 S	6/2000	Barret		
D428,245 S *	7/2000	Brown	D2/972
D434,212 S	11/2000	LaBerge		
D434,552 S	12/2000	Burt		
D434,553 S	12/2000	Burt		
D434,894 S	12/2000	Burt		

D435,165 S	12/2000	Burt		
D435,336 S	12/2000	Barret		
D435,718 S	1/2001	Laberge		
D436,433 S	1/2001	Laberge		
D446,004 S	8/2001	Burt		
D450,913 S	11/2001	Banik		
D451,267 S	12/2001	Laberge		
D451,268 S *	12/2001	Laberge et al.	D2/972
D451,269 S	12/2001	Burt		
D452,068 S *	12/2001	Laberge et al.	D2/972
D452,368 S	12/2001	Chaigne		
D452,607 S	1/2002	Sakai		
D453,616 S	2/2002	Sakai		
D455,251 S	4/2002	Sakai		
D457,296 S	5/2002	Burt		
D459,870 S	7/2002	St-Louis		
D460,250 S	7/2002	Hillyer		
D460,610 S	7/2002	Sakai		
D464,479 S	10/2002	Banik		
D465,909 S	11/2002	Ornerakis		
D467,062 S	12/2002	Delgorgue		
D467,064 S	12/2002	Hillyer		
D467,724 S	12/2002	Hillyer		

(Continued)

Primary Examiner — Dominic Simone

(74) *Attorney, Agent, or Firm* — Terence P. O'Brien

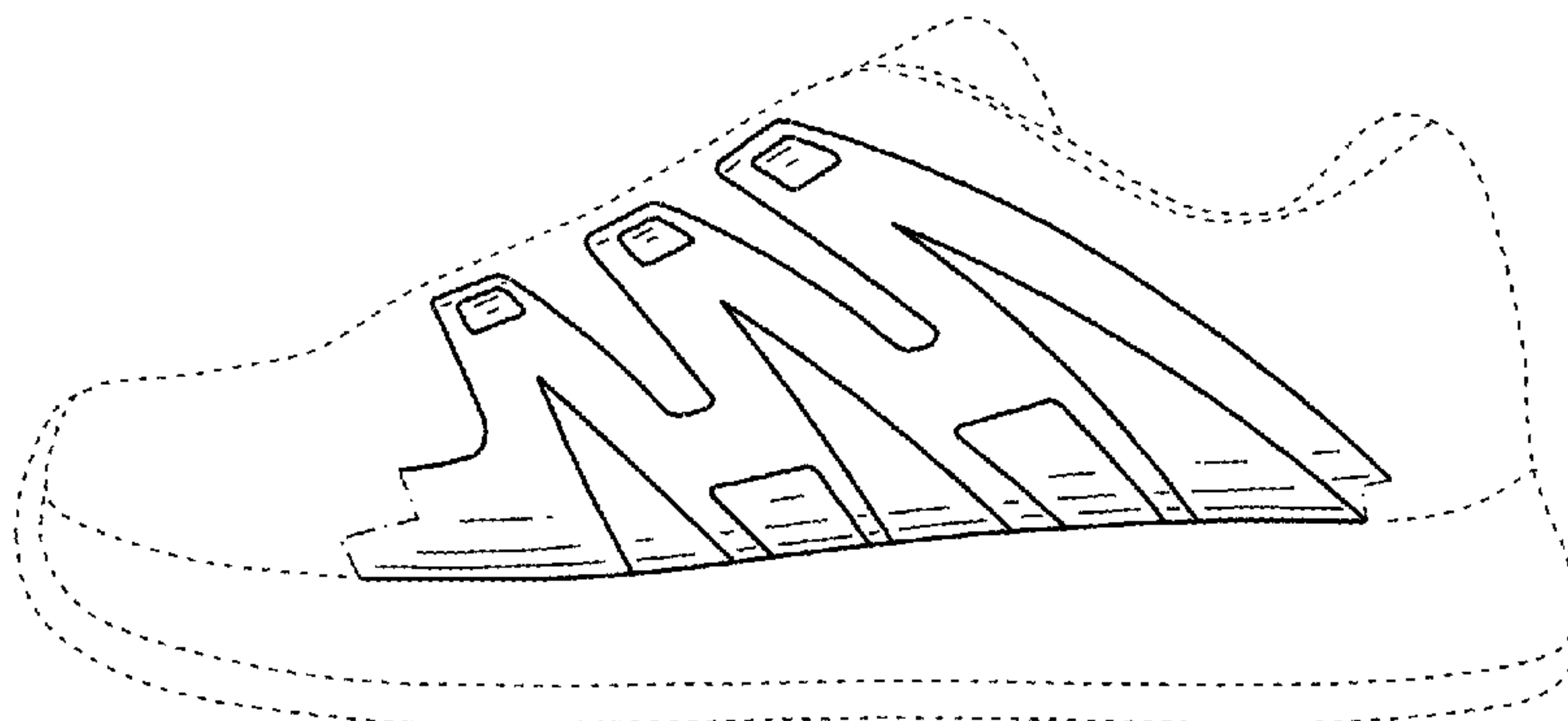
(57) **CLAIM**

I claim the ornamental design for an upper of a footwear article, as shown and described.

DESCRIPTION

FIG. 1 is a side perspective view of an upper of a footwear article;
FIG. 2 is a side view of the upper of a footwear article of FIG. 1; and,
FIG. 3 is a top view of the upper of a footwear article of FIG. 1.
The ornamental design that is claimed is shown in solid lines in the drawings. The broken (dashed) lines shown in the figures are included for the purpose of illustrating environmental elements only and form no part of the claimed design.

1 Claim, 2 Drawing Sheets



(56)

References Cited

U.S. PATENT DOCUMENTS

D471,700 S	3/2003	Banik	D622,053 S	8/2010	Grenet	
D472,040 S	3/2003	Koo	D622,054 S *	8/2010	Bosomworth	D2/972
D475,189 S	6/2003	Laberge	D622,055 S	8/2010	Bosomworth	
D475,515 S	6/2003	St-Louis	D622,056 S	8/2010	Fuhrer	
D475,516 S	6/2003	Laberge	D622,493 S	8/2010	Leleu	
D475,517 S	6/2003	St-Louis	D623,391 S	9/2010	Leleu	
D479,391 S	9/2003	Hillyer	D623,392 S	9/2010	Grenet	
D479,392 S	9/2003	Hillyer	D623,839 S	9/2010	Leleu	
D479,644 S	9/2003	Sakai	D629,190 S	12/2010	Bosomworth	
D481,530 S	11/2003	Hillyer	D629,599 S	12/2010	Bosomworth	
D482,515 S	11/2003	St-Louis	D634,533 S	3/2011	Leleu	
D482,858 S	12/2003	Hillyer	D641,966 S	7/2011	Fuhrer	
D482,859 S	12/2003	Laberge	D642,366 S	8/2011	Fuhrer	
D482,861 S	12/2003	St-Louis	D642,367 S	8/2011	Fuhrer	
D483,938 S	12/2003	Laberge	D643,199 S	8/2011	Fuhrer	
D485,428 S	1/2004	Koo	D644,019 S	8/2011	Grenet	
D485,429 S	1/2004	Koo	D645,241 S *	9/2011	McCullagh	D2/972
D485,669 S	1/2004	Koo	D658,862 S *	5/2012	Stryjak et al.	D2/972
D485,670 S	1/2004	Laberge	D658,863 S	5/2012	Stryjak	
D486,301 S	2/2004	Koo	D658,864 S	5/2012	Stryjak	
D487,339 S	3/2004	Laberge	D658,865 S	5/2012	Stryjak	
D488,917 S	4/2004	Koo	D658,866 S	5/2012	Stryjak	
D489,168 S	5/2004	Laberge	D659,372 S *	5/2012	Stryjak et al.	D2/972
D493,955 S	8/2004	Gay	D659,977 S	5/2012	Stryjak	
D494,350 S	8/2004	Hillyer	D659,978 S	5/2012	Grenet et al.	
D502,310 S	3/2005	Tresser	D659,979 S	5/2012	Grenet et al.	
D513,847 S	1/2006	Laberge	D659,980 S	5/2012	Grenet	
D515,799 S	2/2006	Bertholon	D659,981 S	5/2012	Grenet	
D515,800 S	2/2006	Bertholon	D659,982 S	5/2012	Grenet	
D516,790 S	3/2006	Stryjak	D659,983 S	5/2012	Grenet	
D516,795 S	3/2006	Tresser	D659,984 S	5/2012	Grenet	
D517,301 S	3/2006	Stryjak	D659,985 S	5/2012	Grenet	
D517,303 S	3/2006	Laberge	D660,573 S	5/2012	Grenet	
D525,773 S *	8/2006	Cass	D660,574 S	5/2012	Grenet	
D527,173 S	8/2006	Stryjak	D660,575 S	5/2012	Grenet	
D528,285 S *	9/2006	Hlavacs	D660,576 S	5/2012	Grenet	
D541,517 S	5/2007	Laberge	D660,578 S	5/2012	Grenet	
D545,040 S	6/2007	Laberge	D671,731 S	12/2012	Amphyon	
D548,942 S	8/2007	Stryjak	D679,081 S	4/2013	Bosomworth	
D551,438 S	9/2007	Laberge	D679,082 S	4/2013	Bosomworth	
D551,838 S	10/2007	Brewer	D679,083 S	4/2013	Bosomworth	
D551,839 S	10/2007	Bertholon	D679,084 S	4/2013	Grenet	
D552,339 S	10/2007	Gay	D679,085 S	4/2013	Grenet	
D560,902 S	2/2008	Gay	D679,903 S	4/2013	Grenet	
D570,591 S	6/2008	Farys	D680,314 S *	4/2013	Amphyon	D2/972
D575,500 S	8/2008	Laberge	D680,315 S	4/2013	Amphyon	
D575,501 S	8/2008	Amphyon	D680,728 S	4/2013	Stryjak	
D576,400 S	9/2008	Grenet	D684,757 S	6/2013	Grenet	
D576,401 S	9/2008	Grenet	D690,491 S	10/2013	Bosomworth	
D580,155 S *	11/2008	Banik	D690,492 S	10/2013	Bosomworth	
D587,445 S	3/2009	Amphyon	D690,494 S	10/2013	Bosomworth	
D588,350 S	3/2009	Amphyon	D690,495 S	10/2013	Bosomworth	
D594,214 S *	6/2009	Matis et al.	D690,496 S	10/2013	Leleu	
D604,939 S	12/2009	Grenet	D690,923 S	10/2013	Amphyon	
D605,845 S	12/2009	Grenet	D693,557 S	11/2013	Grenet	
D605,846 S	12/2009	Amphyon	D693,558 S	11/2013	Bosomworth	
D606,294 S	12/2009	Grenet	D701,029 S	3/2014	Grenet	
D612,143 S	3/2010	Amphyon	D701,030 S	3/2014	Grenet	
D612,144 S	3/2010	Bosomworth	D701,031 S	3/2014	Grenet	
D612,145 S	3/2010	Bosomworth	D701,033 S	3/2014	Leleu	
D613,053 S	4/2010	Richard	D701,034 S	3/2014	Bosomworth	
D621,597 S	8/2010	Grenet	D701,384 S	3/2014	Leleu	
D621,598 S	8/2010	Leleu	D706,025 S	6/2014	Ameye	
D622,049 S	8/2010	Amphyon	D711,639 S	8/2014	Fuhrer	
D622,050 S	8/2010	Amphyon	D711,640 S	8/2014	Amphyon	
D622,051 S	8/2010	Leleu	D711,641 S	8/2014	Grenet	
D622,052 S	8/2010	Grenet	D711,642 S	8/2014	Bosomworth	
			D711,643 S	8/2014	Bosomworth	
			D712,131 S	9/2014	Leleu	

* cited by examiner

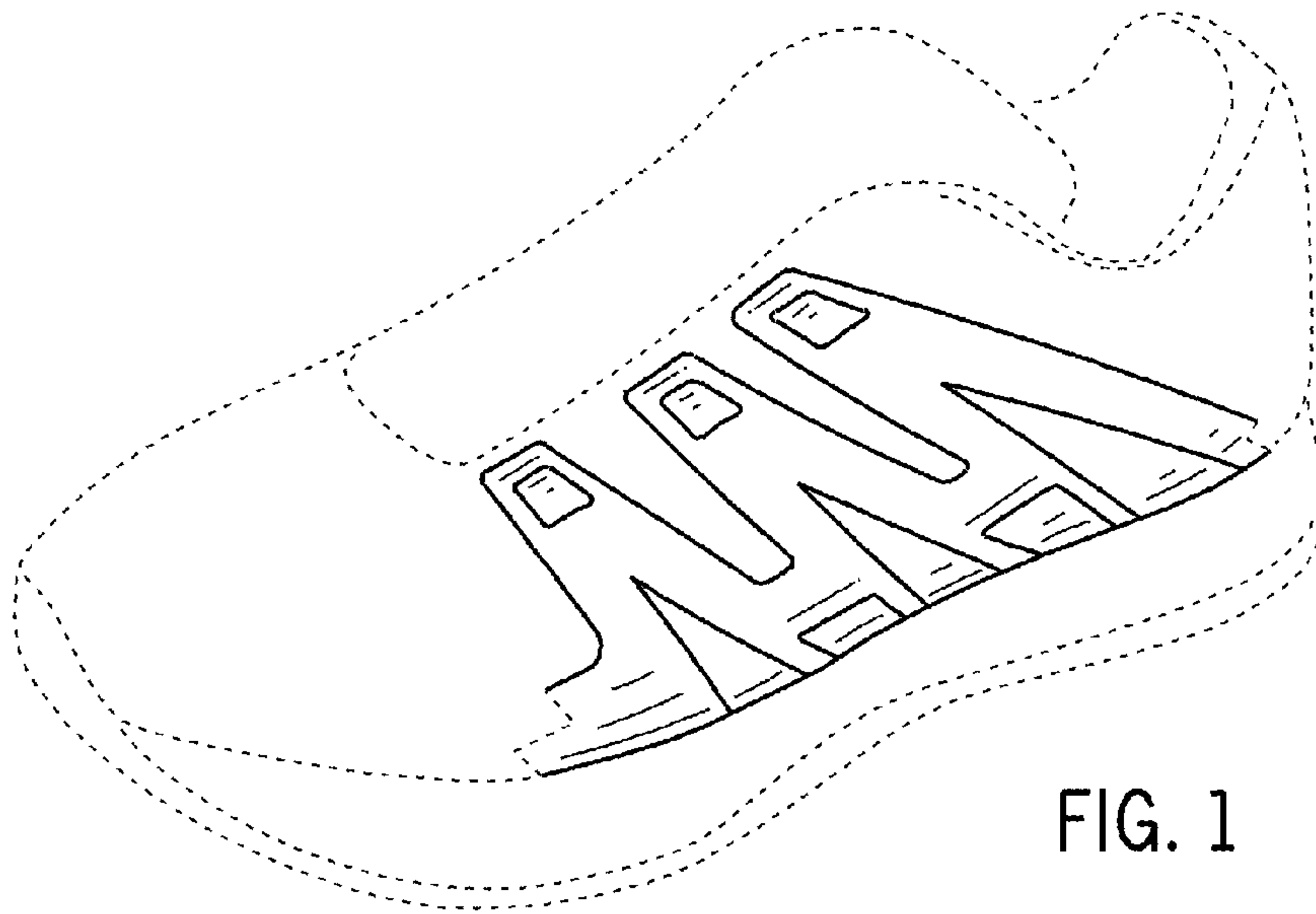


FIG. 1

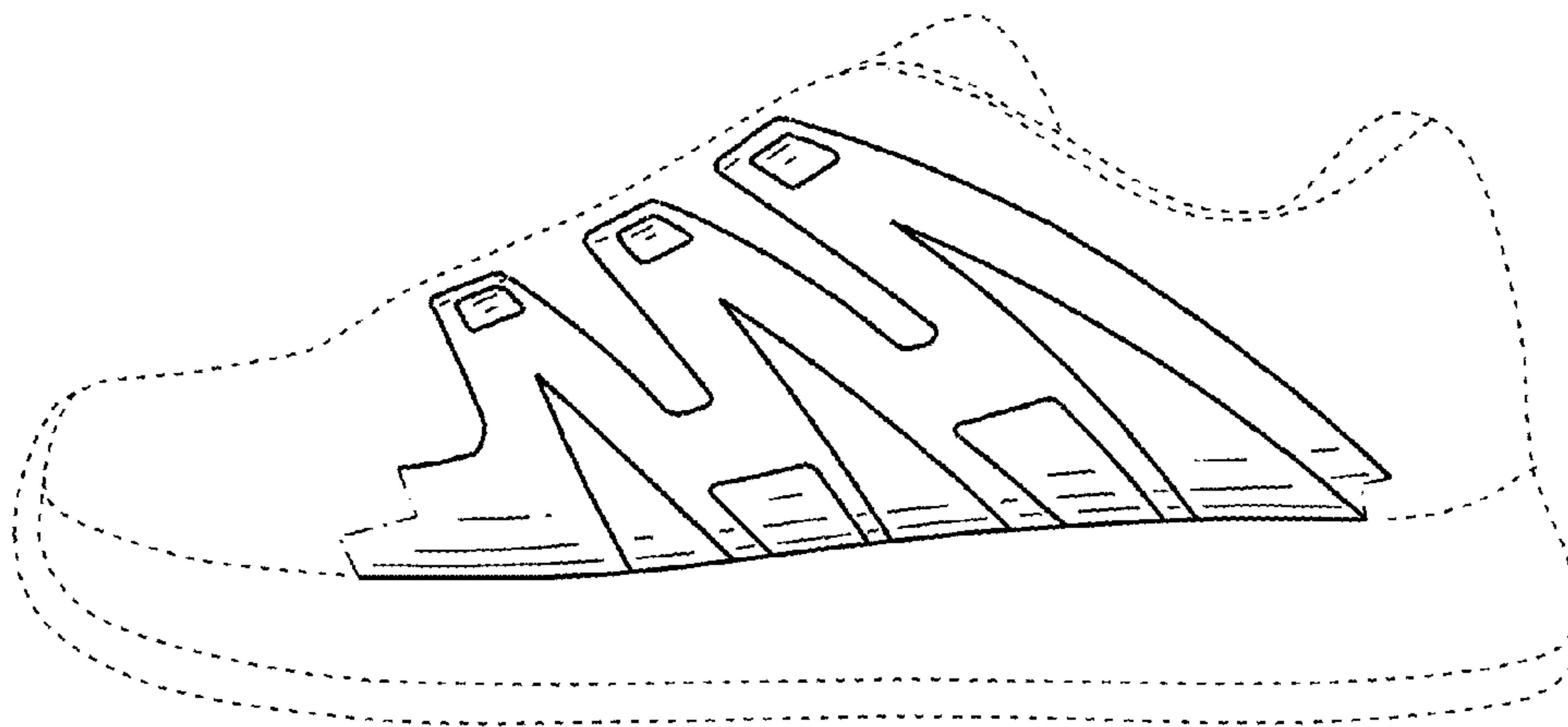


FIG. 2

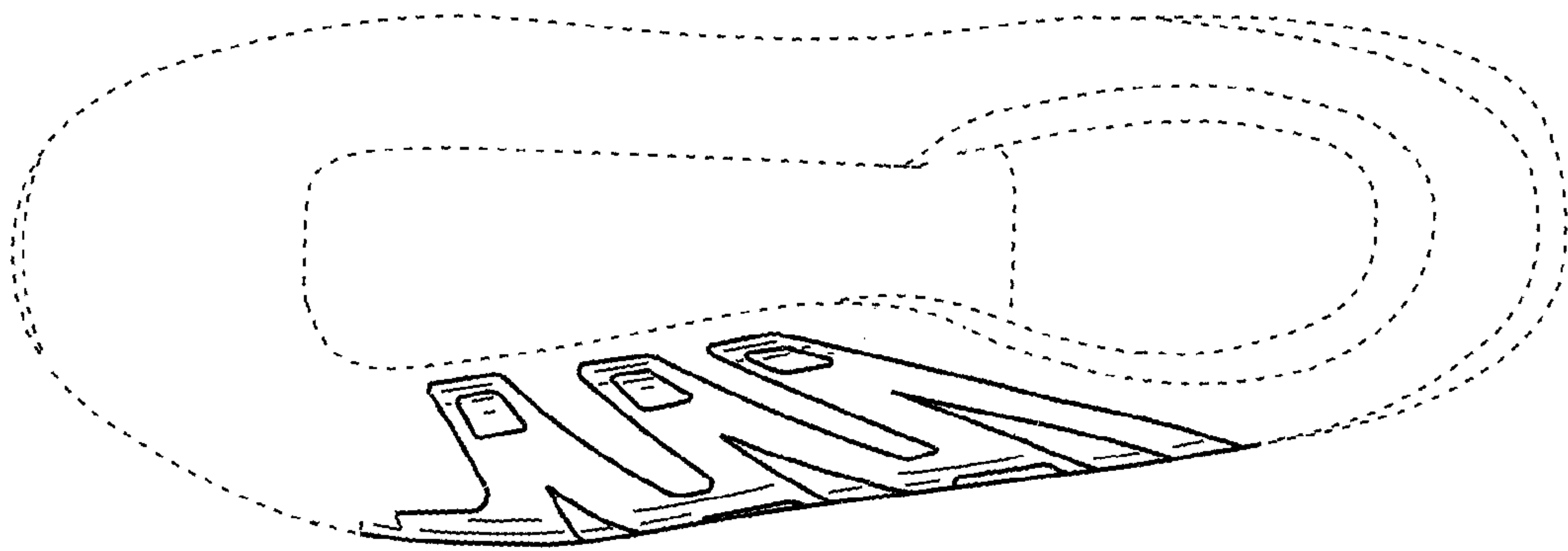


FIG. 3