



US00D725346S

(12) **United States Design Patent**
Pulido, Jr.

(10) **Patent No.:** **US D725,346 S**
(45) **Date of Patent:** **** Mar. 31, 2015**

(54) **STOCKING SEATING DEVICE**
(71) Applicant: **Leopoldo Arroyo Pulido, Jr.**,
Livingston, CA (US)
(72) Inventor: **Leopoldo Arroyo Pulido, Jr.**,
Livingston, CA (US)
(**) Term: **14 Years**
(21) Appl. No.: **29/489,945**

5,927,573	A *	7/1999	Votino et al.	223/111
D413,707	S *	9/1999	Gaskins et al.	D2/641
6,056,171	A	5/2000	Santamaria	
6,276,578	B1	8/2001	Stenger	
6,283,342	B1	9/2001	Wilkerson	
6,598,769	B1 *	7/2003	Franco	223/112
6,698,630	B1 *	3/2004	Maguire	223/118
6,942,129	B2	9/2005	Ferraioli	
D600,925	S *	9/2009	Guffey et al.	D6/327
D679,888	S	4/2013	Sanchez-Garcia	
8,528,796	B1 *	9/2013	Bosko et al.	223/112
2005/0115994	A1	6/2005	Delamare	
2010/0193554	A1 *	8/2010	Atkinson	223/111

(22) Filed: **May 5, 2014**
(51) **LOC (10) Cl.** **07-99**
(52) **U.S. Cl.**
USPC **D2/641**
(58) **Field of Classification Search**
CPC A47G 25/905; A47G 25/82; A47G 25/90;
A47G 25/908
USPC D2/324-627, 629, 631, 633, 637-643,
D2/891; D6/319, 323, 325-327; D8/54,
D8/383, 394; 2/52, 300, 301, 306-308,
2/311-318, 338; 24/72.1, 300, 301, 305,
24/515, 516, 564; 211/86.01;
223/111-115, 118-120; 294/3, 24
See application file for complete search history.

OTHER PUBLICATIONS

Easier Living. Sock Aids—Sock Aid and Assist Tools. 2014 [online],
[site visited Oct. 27, 2014]. Available from Internet, <URL:http://
www.easierliving.com/sock-aids.html>.*

* cited by examiner

Primary Examiner — Robert M Spear
Assistant Examiner — Darcey E Heflin

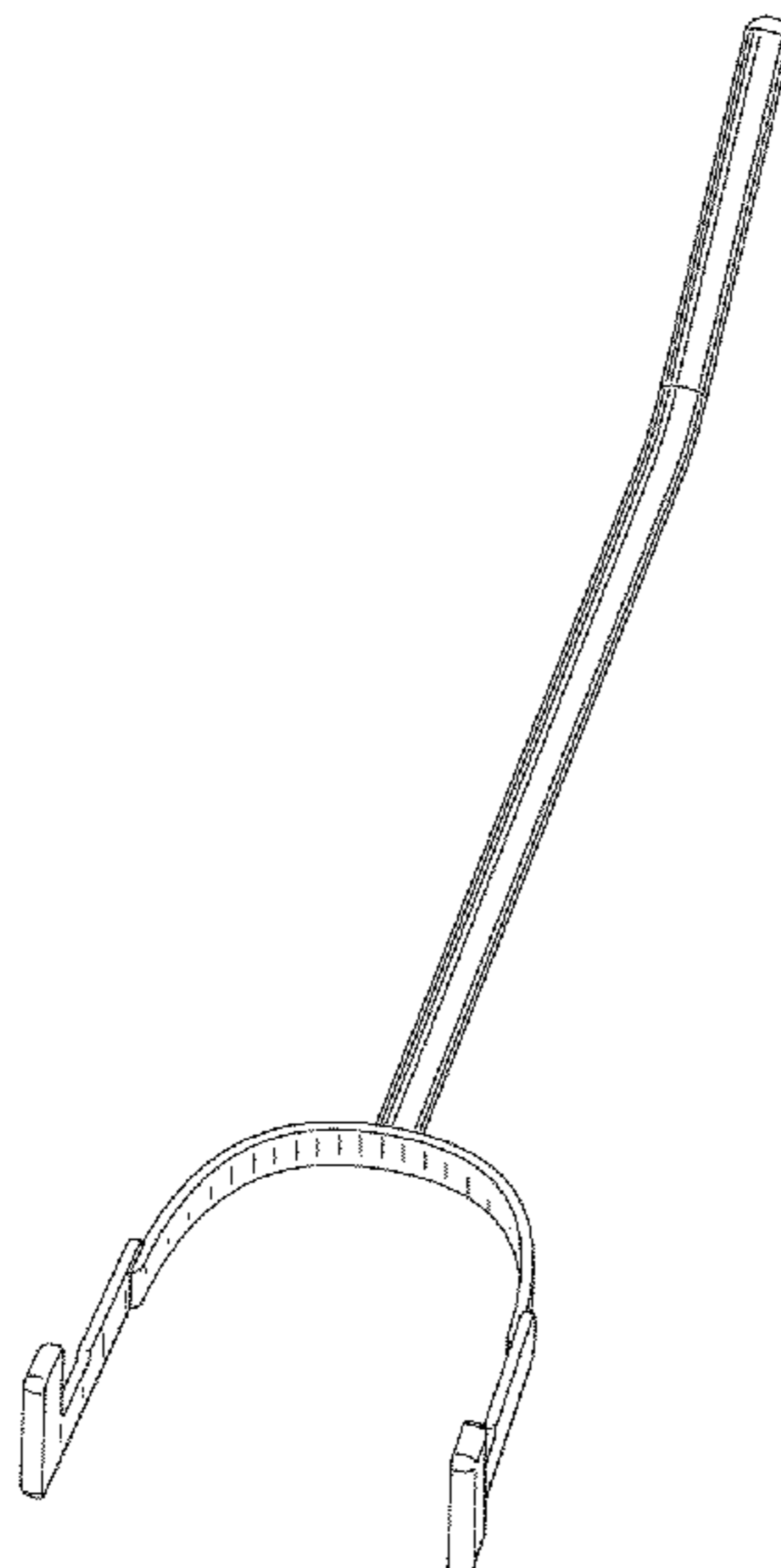
(57) **CLAIM**
The ornamental design for a stocking seating device, as
shown and described.

DESCRIPTION

FIG. 1 is a perspective front view of a stocking seating device;
FIG. 2 is a front elevation view of the stocking seating device;
FIG. 3 is a rear elevation view of the stocking seating device;
FIG. 4 is a left side elevation view of the stocking seating
device; the right side view being a mirror image thereof;
FIG. 5 is a top elevation view of the stocking seating device;
and,
FIG. 6 is a bottom elevation view of the stocking seating
device.

(56) **References Cited**
U.S. PATENT DOCUMENTS
1,014,009 A * 1/1912 Koons 24/72.1
3,396,882 A * 8/1968 Berlin 223/111
3,692,217 A 9/1972 Smith
3,727,812 A 4/1973 Weiss
4,066,194 A 1/1978 Leland
D275,239 S * 8/1984 Raso D2/641
5,050,783 A 9/1991 Hunter
5,566,998 A * 10/1996 Gray 294/24
5,823,592 A * 10/1998 Kalidindi 294/24

1 Claim, 2 Drawing Sheets



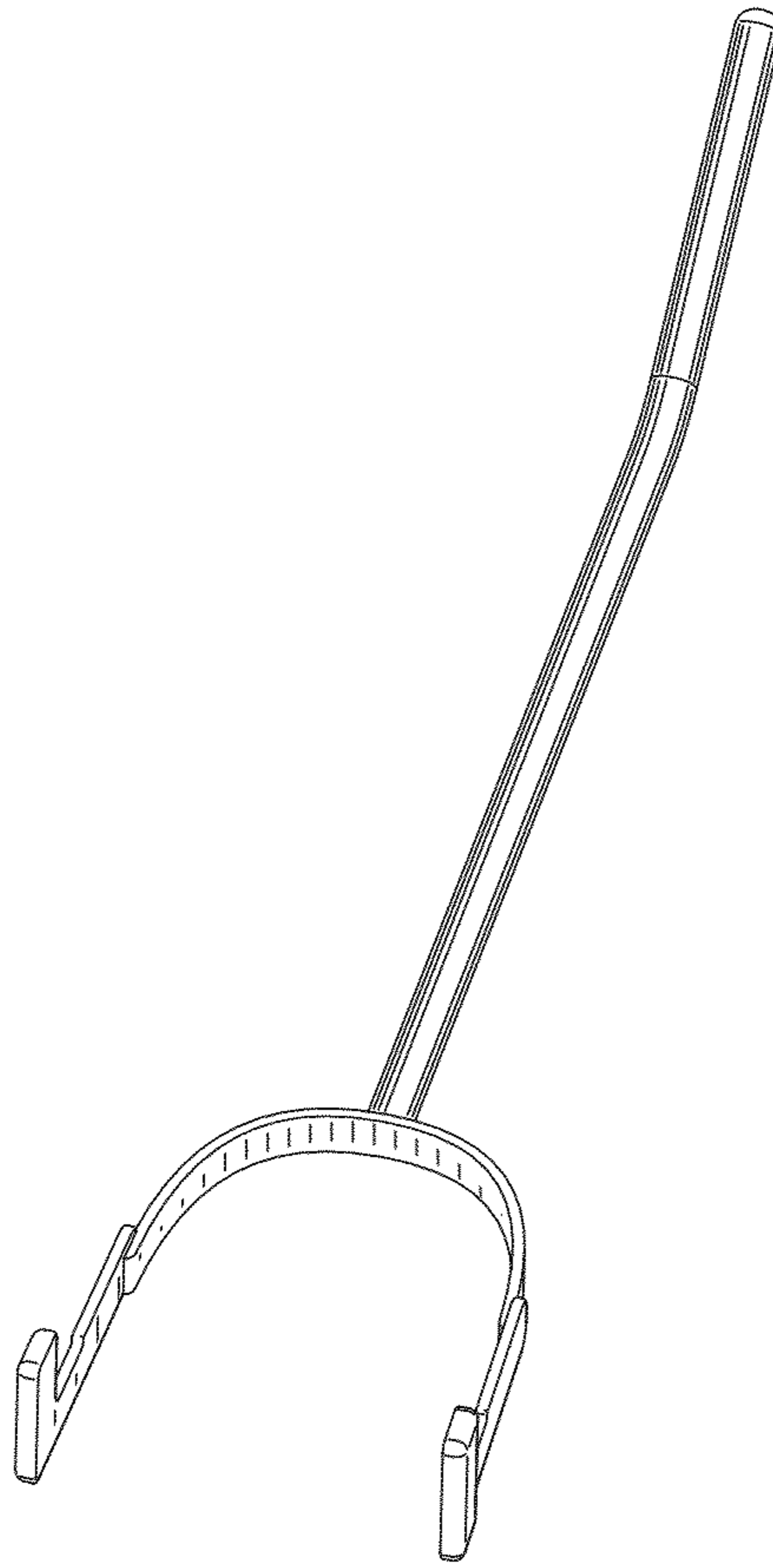


FIG. 1

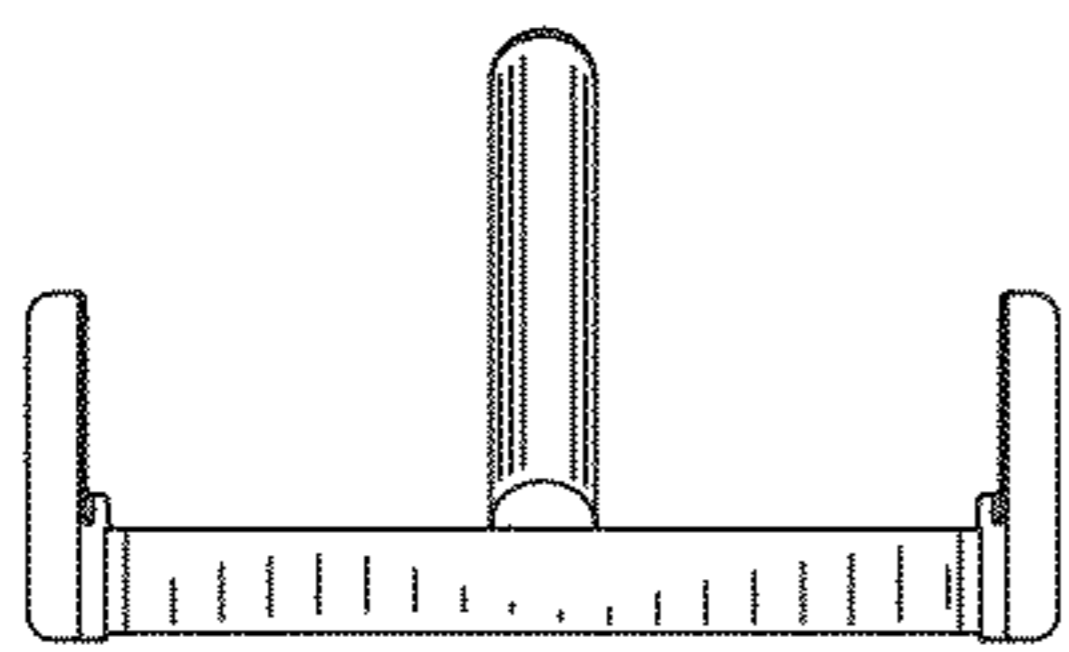


FIG. 2

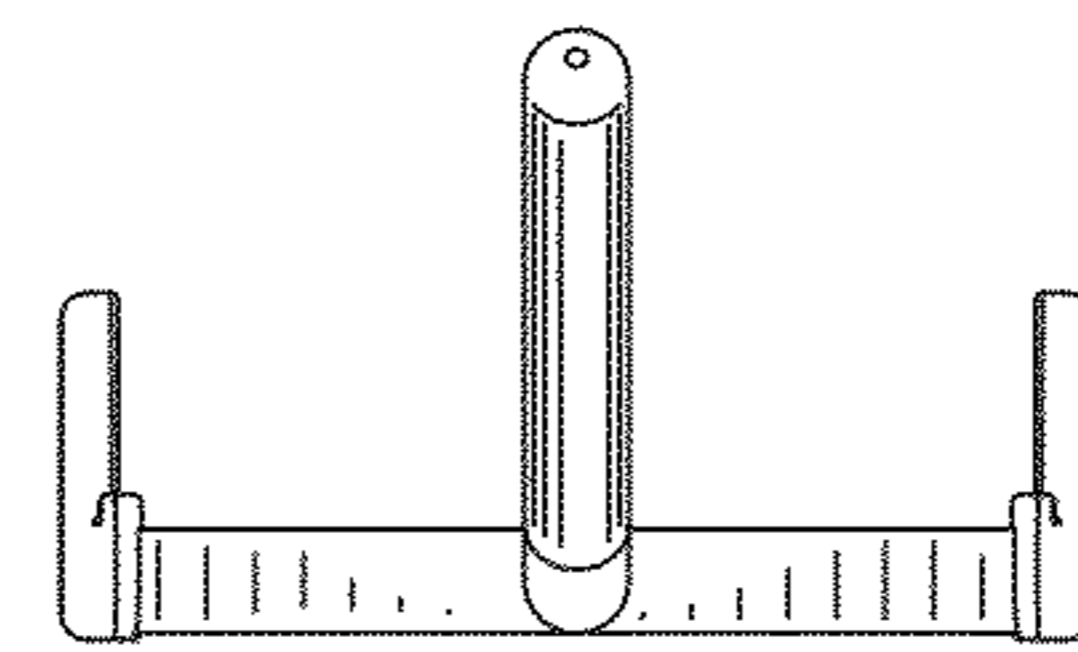


FIG. 3



FIG. 4

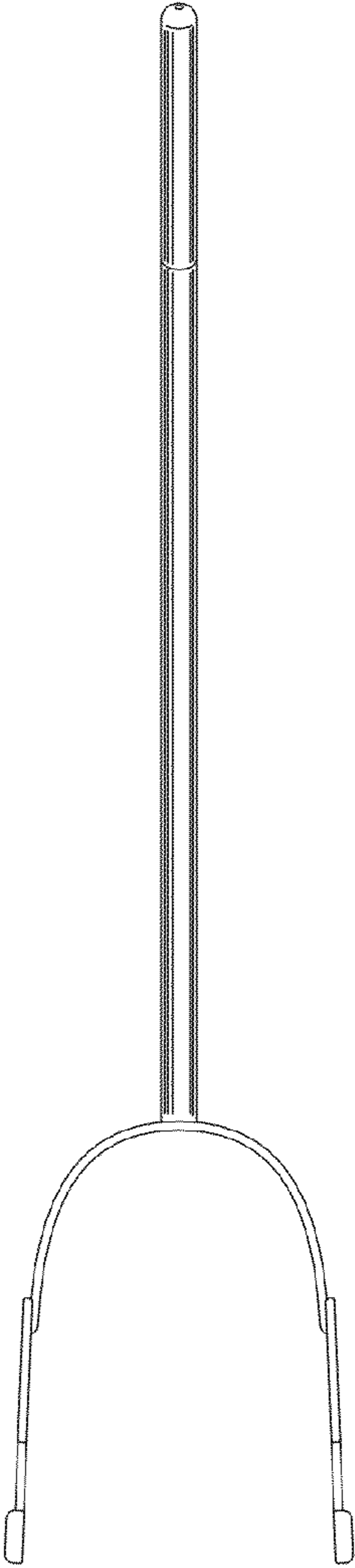


FIG. 5

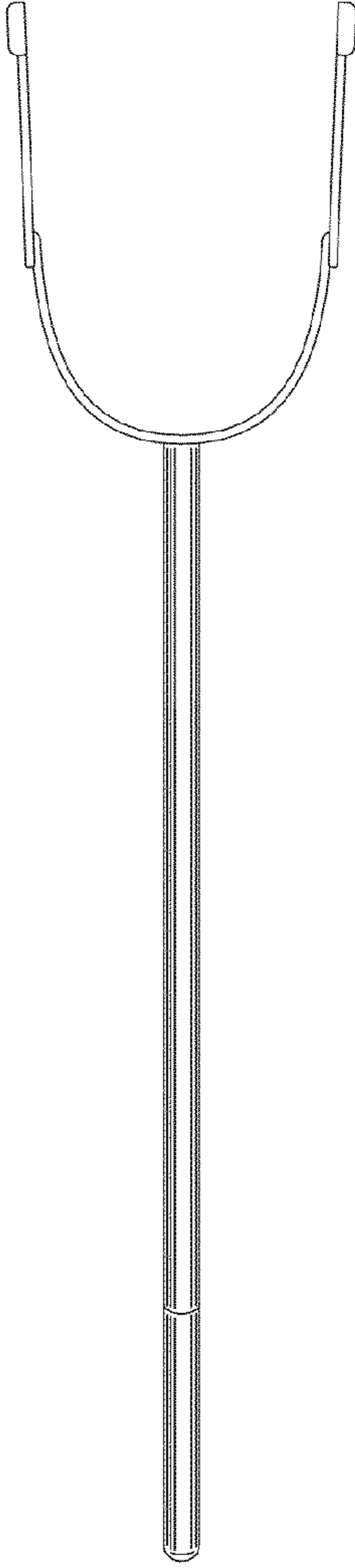


FIG. 6