



US00D725345S

(12) **United States Design Patent**
Davis

(10) **Patent No.:** **US D725,345 S**
(45) **Date of Patent:** **** Mar. 31, 2015**

(54) **SLEEVE HOLDER**

(71) Applicant: **Sivad Sleeve Aide LLC**, Lynden, WA (US)

(72) Inventor: **William J. Davis**, Lynden, WA (US)

(73) Assignee: **Sivad Sleeve Aide LLC**, Lynden, WA (US)

(**) Term: **14 Years**

(21) Appl. No.: **29/484,494**

(22) Filed: **Mar. 10, 2014**

(51) **LOC (10) Cl.** **07-99**

(52) **U.S. Cl.**
USPC **D2/641**

(58) **Field of Classification Search**

CPC A41F 11/16; A41F 11/02
USPC D2/624-627, 629, 631, 633, 637-643,
D2/891; D6/319, 323, 325-327; D8/54,
D8/383, 394; 2/52, 175.7, 300, 301,
2/306-308, 311-318, 338; 24/300, 301,
24/305, 515, 516, 564; 211/86.11;
223/111-115, 118-120; 294/3, 24

See application file for complete search history.

(56) **References Cited**

U.S. PATENT DOCUMENTS

63,092	A *	3/1867	Powell	2/316
249,261	A *	11/1881	Russell	2/316
273,770	A *	3/1883	Shelby	2/313
313,584	A *	3/1885	Frost	2/313
D136,549	S *	10/1943	Diller	D8/54
2,500,506	A *	3/1950	Avary	2/314
D187,527	S *	3/1960	Greene	D2/624
D365,913	S *	1/1996	Ballard	D2/641
D440,739	S *	4/2001	Hsu	D2/641
D498,998	S *	11/2004	Paumen et al.	D8/54
8,087,707	B1 *	1/2012	Hawkins et al.	294/24
2005/0066418	A1 *	3/2005	Duffy et al.	2/175.7

OTHER PUBLICATIONS

Fabricating & Metal Working. Torch Uses "Boot" Design for Robust, Secure Power/Air Connection. Feb. 20, 2014 [online], [site visited 10/27/14]. Available from Internet, <URL:http://www.fabricatingandmetalworking.com/2014/02/torch-uses-boot-design-for-robust-secure-powerair-connection/>.*

(Continued)

Primary Examiner — Robert M Spear
Assistant Examiner — Darcey E Heflin

(74) *Attorney, Agent, or Firm* — Michael R. Schacht; Schacht Law Office, Inc.

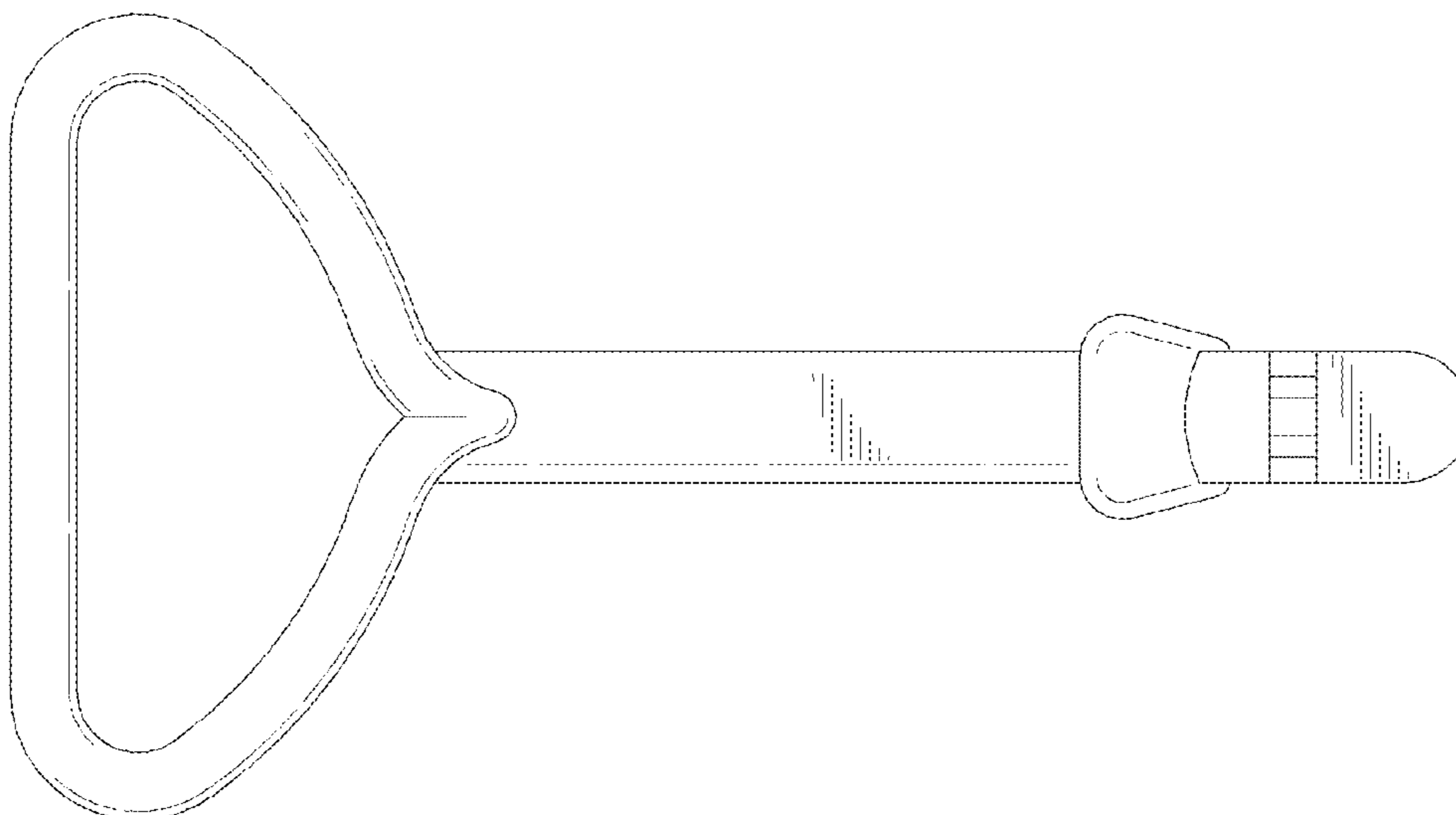
(57) **CLAIM**

The ornamental design for a sleeve holder, as shown and described.

DESCRIPTION

FIG. 1 is a top view of a sleeve holder showing my new design, with its clip in a closed configuration;
FIG. 2 is a front view thereof;
FIG. 3 is a right side view thereof;
FIG. 4 is a left side view thereof;
FIG. 5 is a back view thereof;
FIG. 6 is a bottom view thereof;
FIG. 7 is a top view, similar to FIG. 1, but showing the clip in an open configuration;
FIG. 8 is a front view similar to FIG. 2, but showing the clip in an open configuration;
FIG. 9 is a right side view similar to FIG. 3, but showing the clip in an open configuration;
FIG. 10 is a left side view similar to FIG. 4, but showing the clip in an open configuration;
FIG. 11 is a back view similar to FIG. 5, but showing the clip in an open configuration; and,
FIG. 12 is a bottom view similar to FIG. 6, but showing the clip in an open configuration.

1 Claim, 4 Drawing Sheets



(56)

References Cited

Internet, <URL:<http://cardshark-online.blogspot.com/2010/01/>

OTHER PUBLICATIONS

[little-card-holdout-that-never-was.html](http://cardshark-online.blogspot.com/2010/01/little-card-holdout-that-never-was.html)>.*

Cardshark Online Blog. The Little Card Holdout That Never Was.
Nov. 1, 2010 [online], [site visited Oct. 24, 2014]. Available from

* cited by examiner

FIG. 1

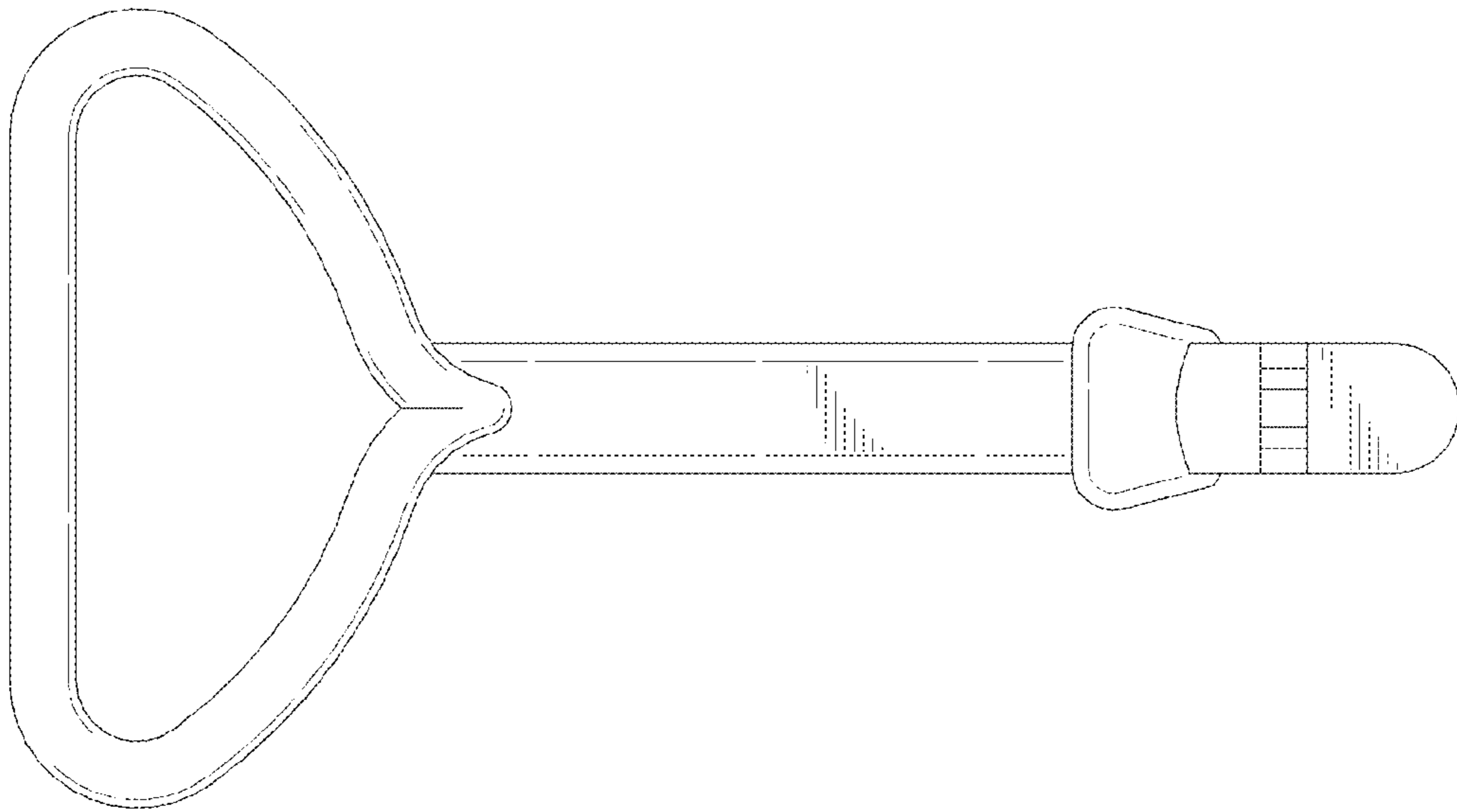


FIG. 2

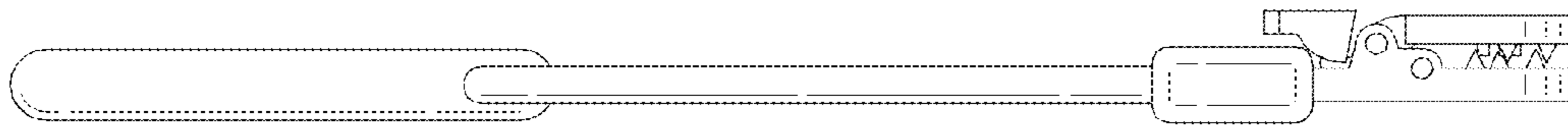


FIG. 3

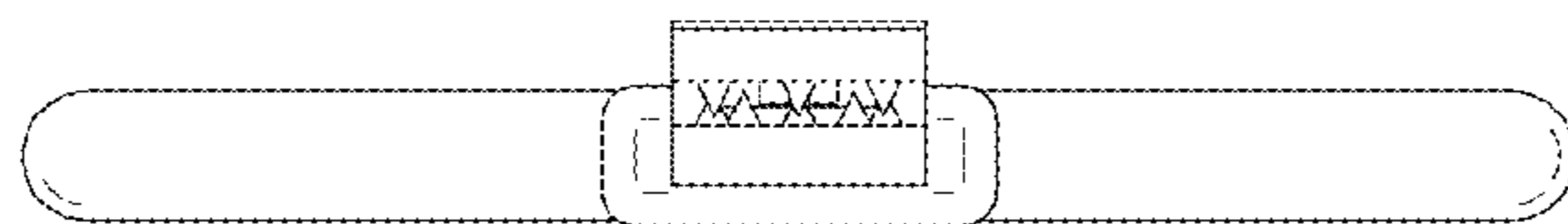


FIG. 4

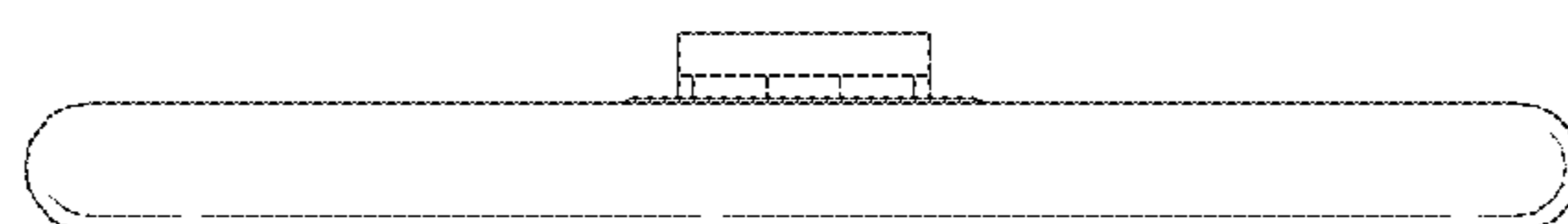


FIG. 5

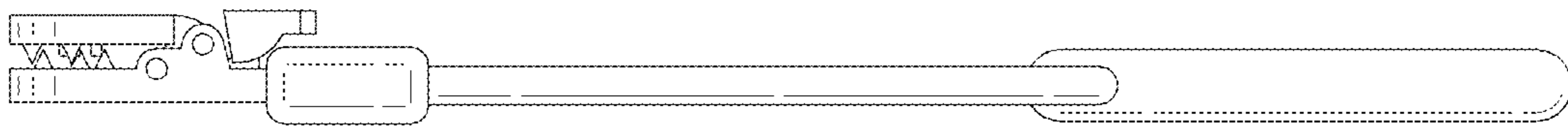


FIG. 6

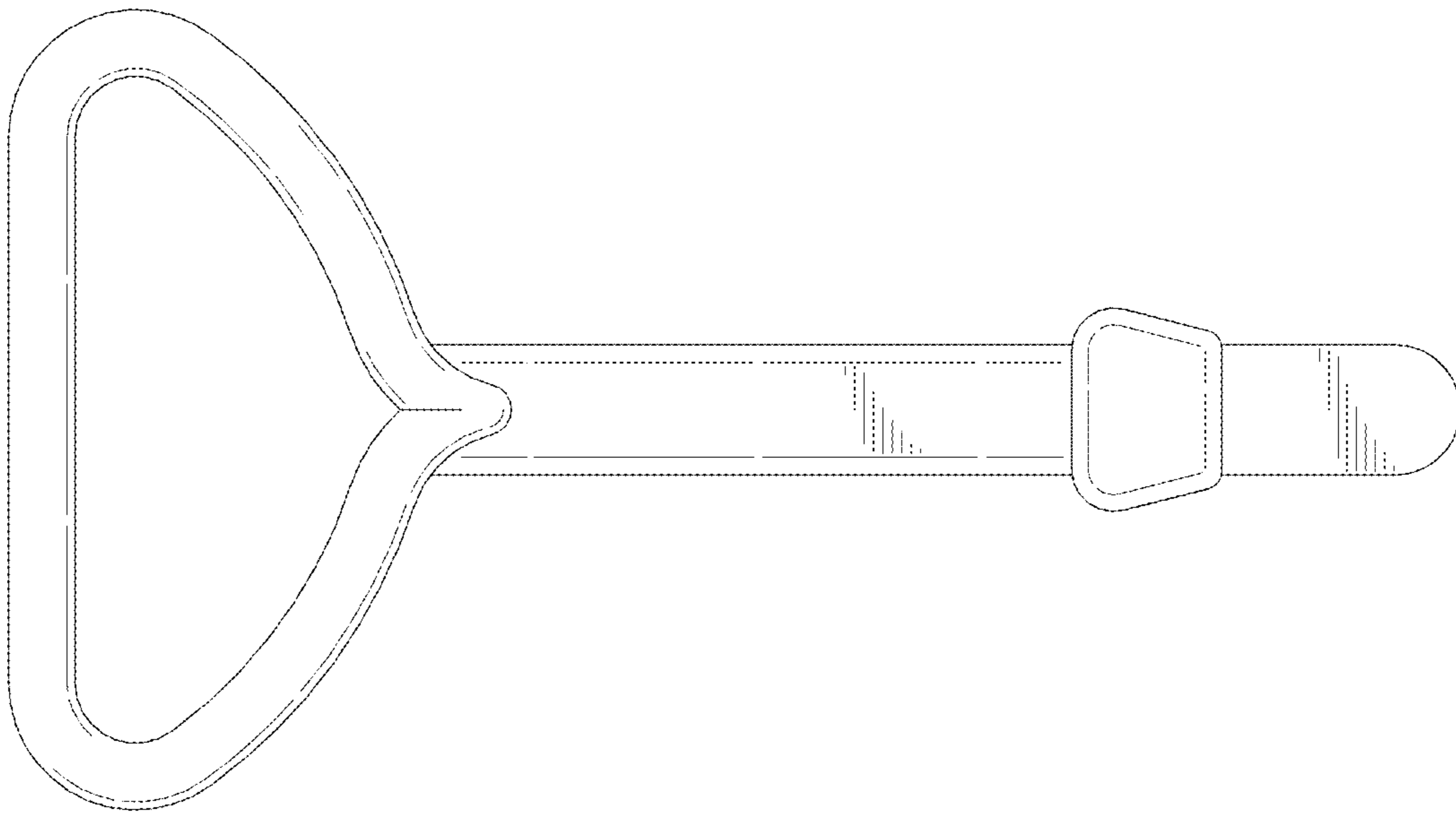


FIG. 7

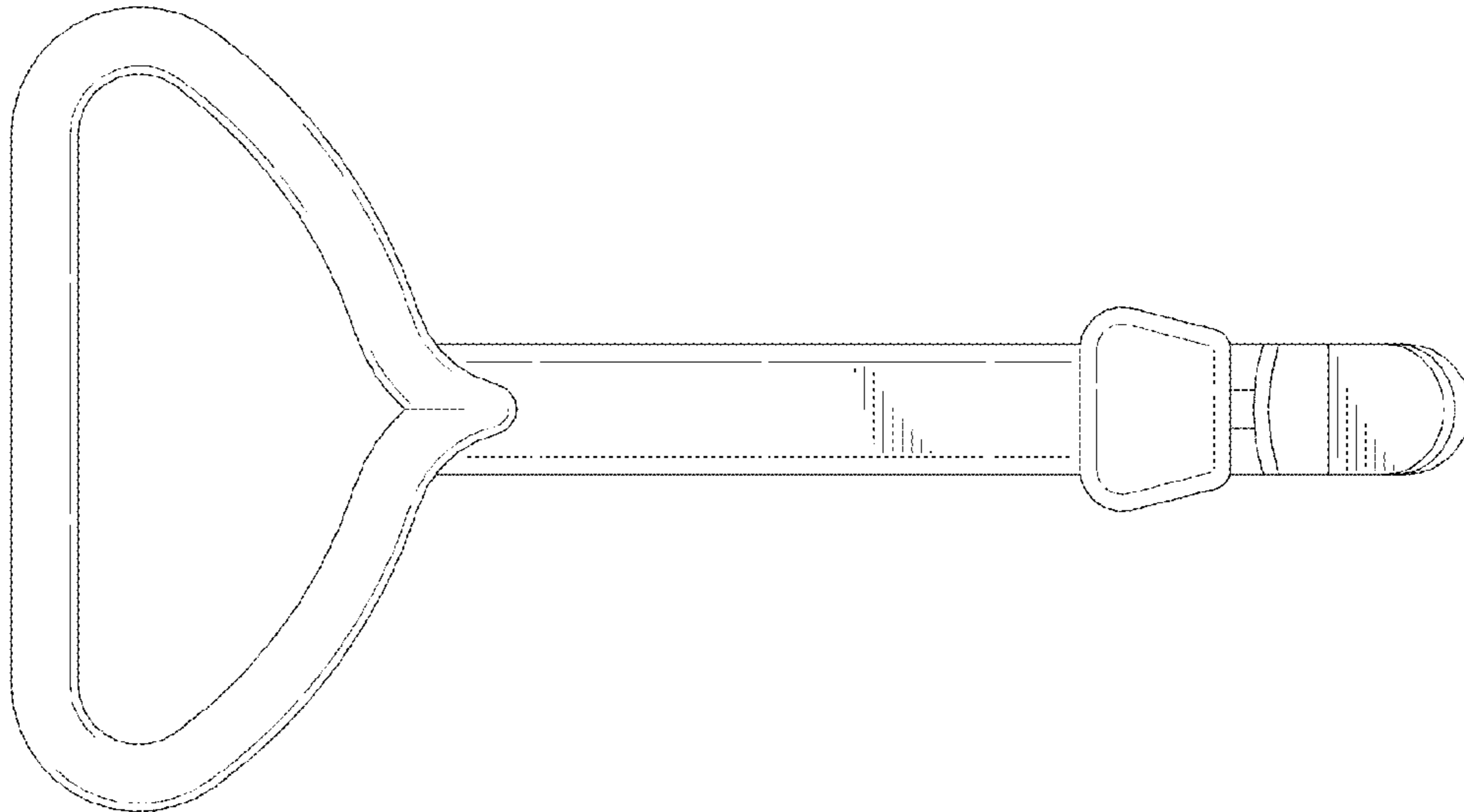


FIG. 8

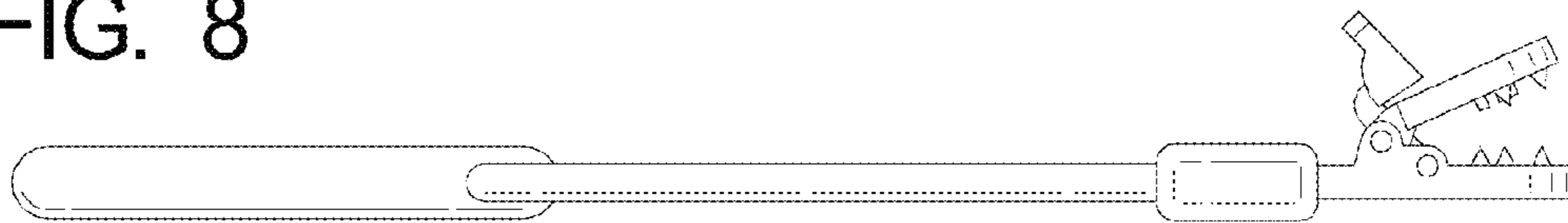


FIG. 9

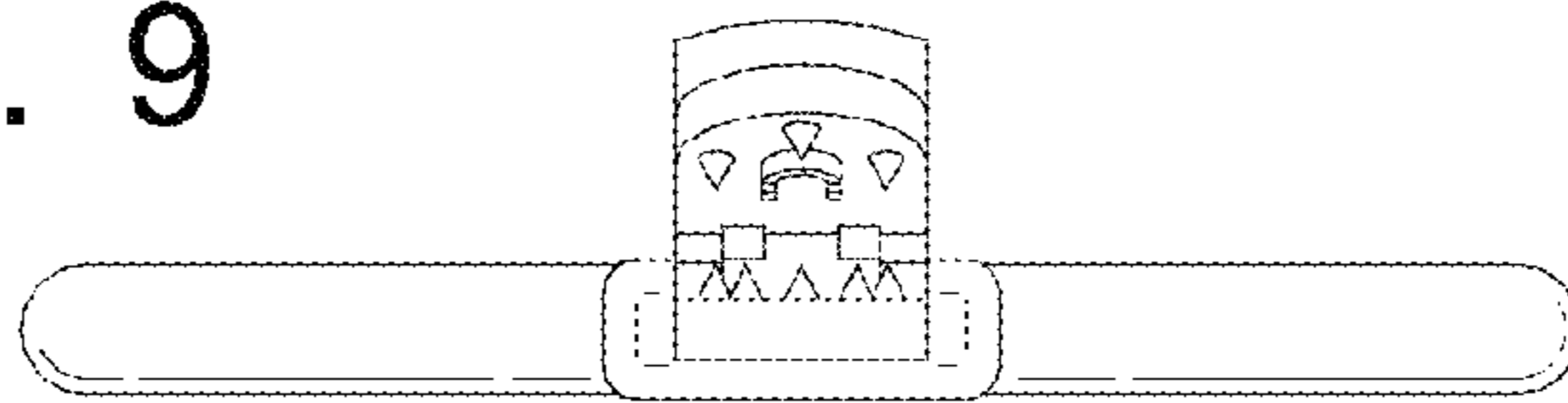


FIG. 10

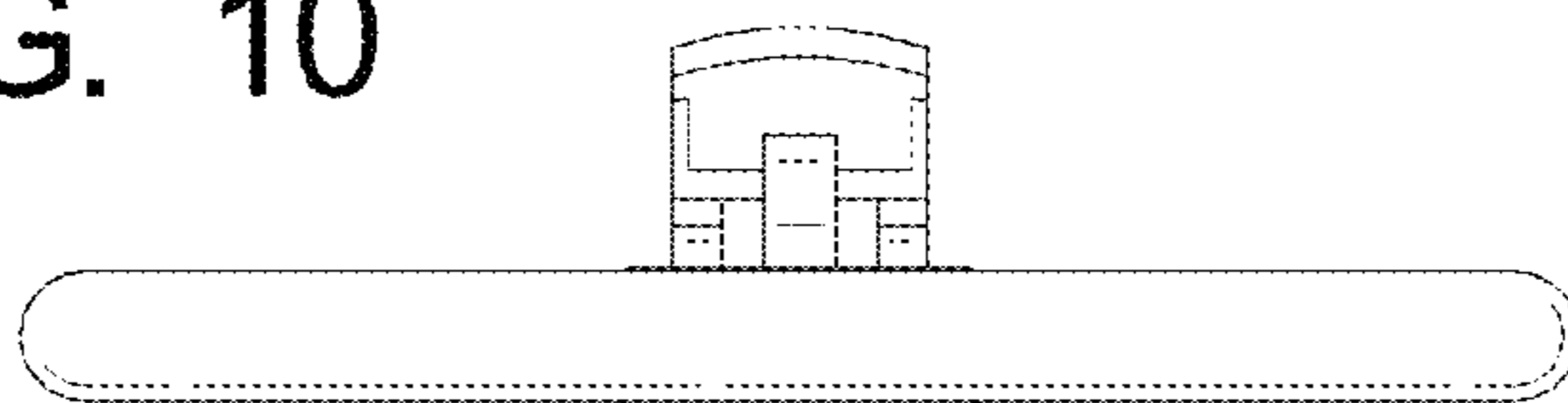


FIG. 11

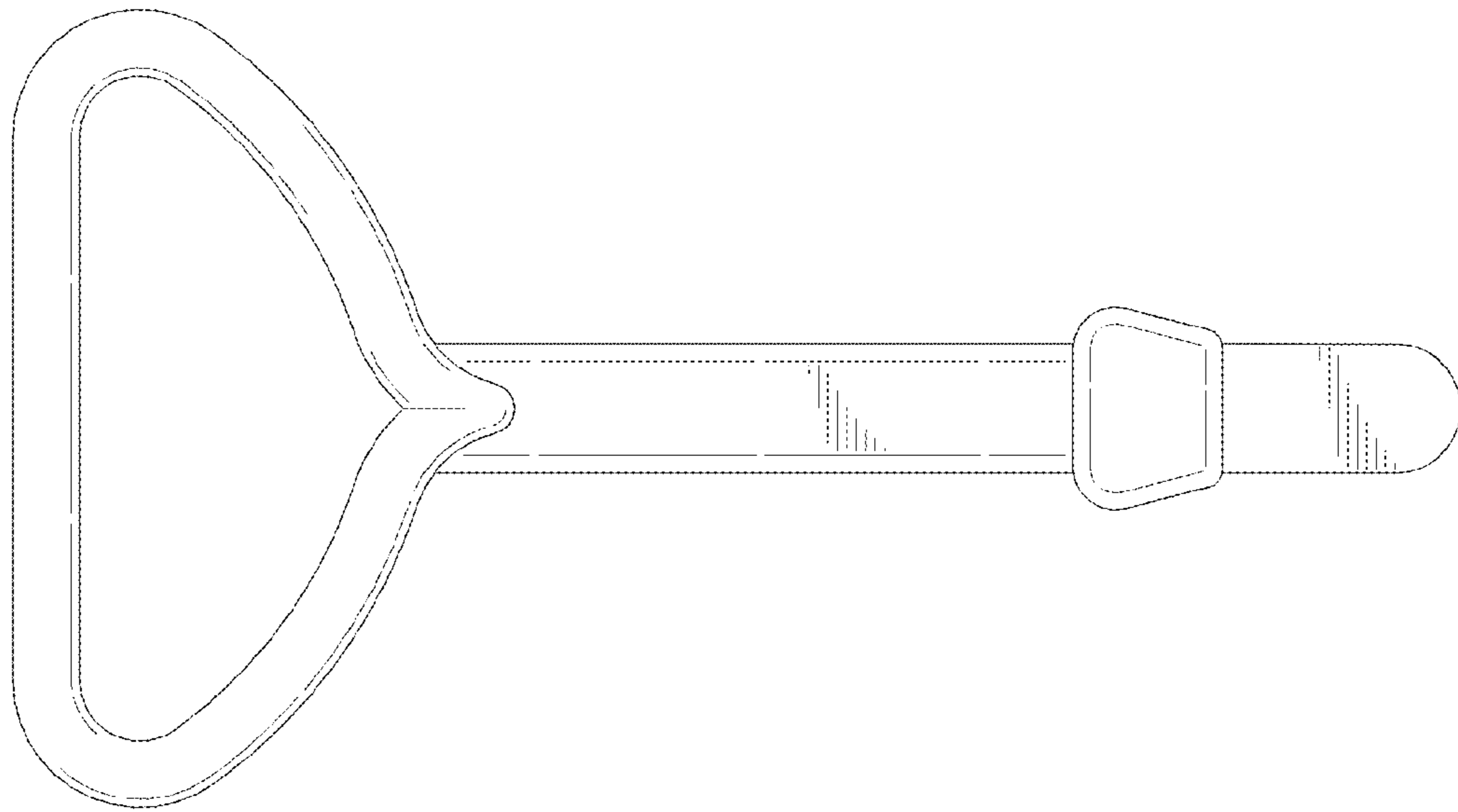


FIG. 12

