



US00D725344S

(12) **United States Design Patent**
Rich et al.

(10) **Patent No.:** **US D725,344 S**
(45) **Date of Patent:** **** Mar. 31, 2015**

(54) **PANT STRAP**

(71) Applicants: **Jason Rich**, Boston, MA (US); **Lisa Hitchings**, Rochester, MA (US)

(72) Inventors: **Jason Rich**, Boston, MA (US); **Lisa Hitchings**, Rochester, MA (US)

(**) Term: **14 Years**

(21) Appl. No.: **29/494,866**

(22) Filed: **Jun. 25, 2014**

(51) **LOC (10) Cl.** **02-07**

(52) **U.S. Cl.**
USPC **D2/624**

(58) **Field of Classification Search**
CPC B65D 63/10; F16L 3/137; F16L 3/233
USPC D2/624, 629, 633-635, 638, 639,
D2/641-643, 853, 858, 946, 976, 978, 979,
D2/999; D3/215, 217, 318; D11/200, 212;
24/306, 442, 444, 628, 952; 36/7.5,
36/11.5, 45, 50.1, 89, 90, 96, 97, 100, 101,
36/114, 132; 59/90

See application file for complete search history.

(56) **References Cited**

U.S. PATENT DOCUMENTS

D354,030 S *	1/1995	Murasaki	D11/200
D391,075 S *	2/1998	Jackson et al.	D3/215
D407,886 S *	4/1999	Marable	D2/639
D604,037 S *	11/2009	Feller et al.	D2/978
D612,588 S *	3/2010	Feller et al.	D2/946
D635,340 S *	4/2011	Blakeslee	D2/946
D676,627 S *	2/2013	Doss	D2/624

D692,641 S *	11/2013	Lai	D2/853
D698,128 S *	1/2014	Cabrera	D2/853
D711,080 S *	8/2014	Hollister	D2/946
2008/0201915 A1 *	8/2008	Obiols et al.	24/306

OTHER PUBLICATIONS

Ali Express. Velcro Leg Strap. Sep. 2014 [online], [site visited Nov. 4, 2014]. Available from Internet, <URL:http://www.aliexpress.com/popular/velcro-leg-strap.html>.*

* cited by examiner

Primary Examiner — Robert M Spear

Assistant Examiner — Darcey E Heflin

(74) *Attorney, Agent, or Firm* — David J. Connaughton, Jr.; Gary E. Lambert; Lambert & Associates

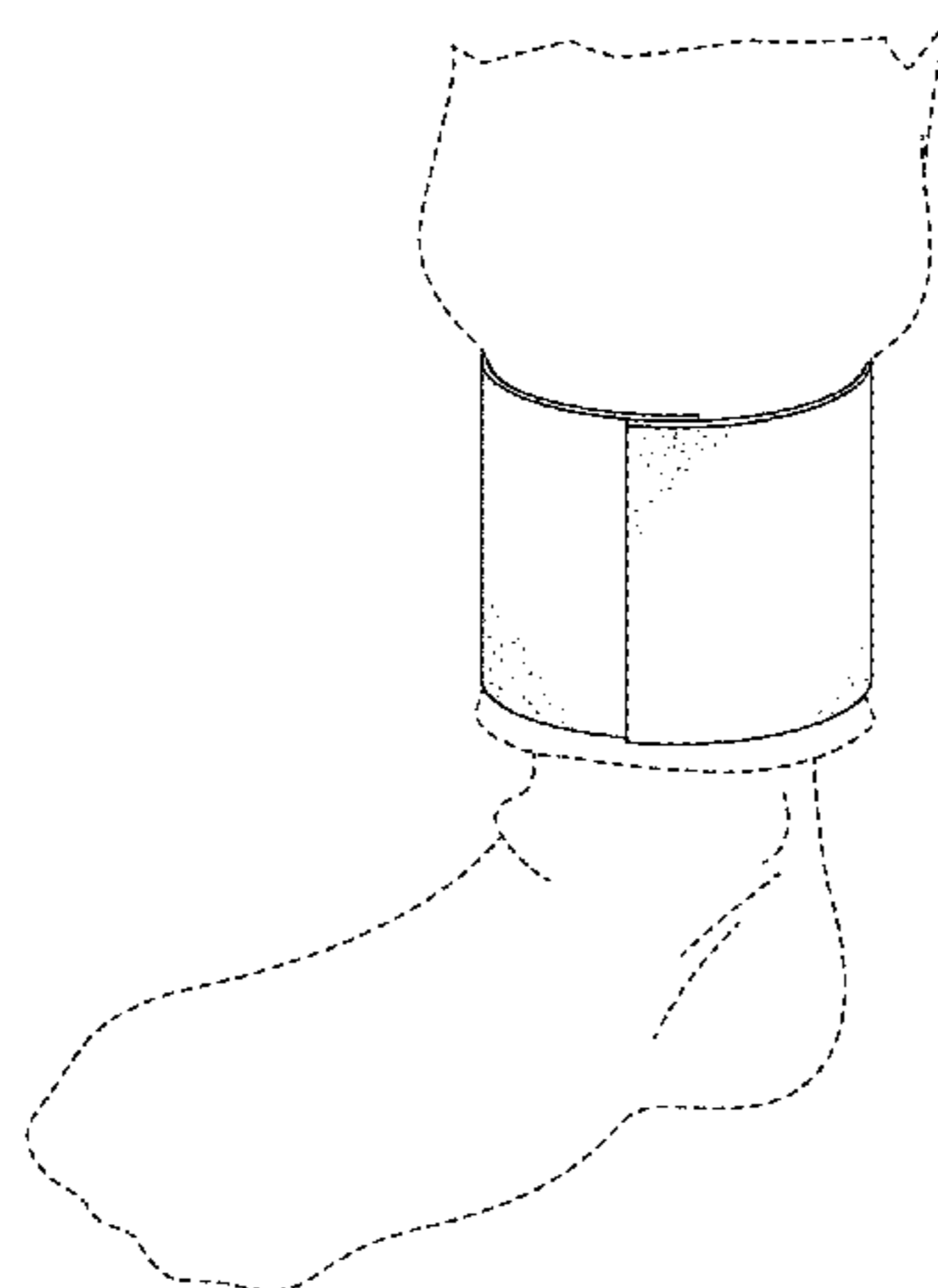
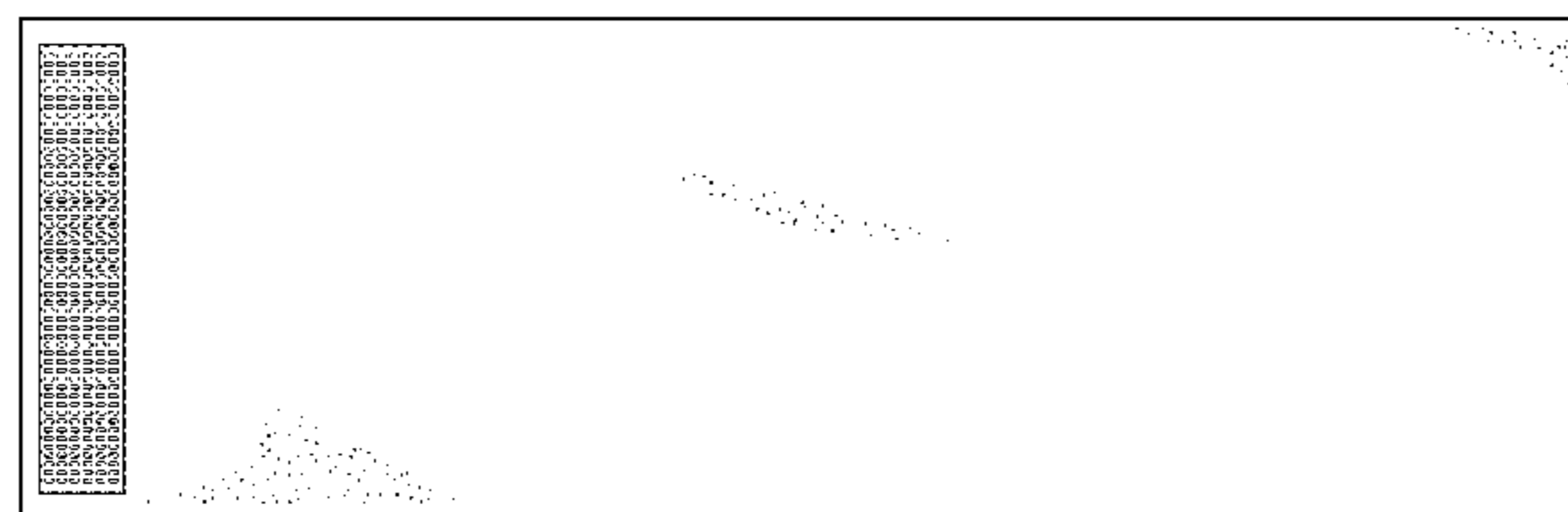
(57) **CLAIM**

The ornamental design for a pant strap, as shown and described.

DESCRIPTION

FIG. 1 is an isometric view of the front of the pant strap, which embodies my design;
FIG. 2 is a back view of the pant strap;
FIG. 3 is a side view of the pant strap;
FIG. 4 is a front view of the pant strap;
FIG. 5 is an illustrative view of the pant strap showing my new design in a position of use with the pants rolled down. The broken line showing of the pants and foot in FIG. 5 depicts unclaimed environment only and forms no part of the claimed design; and,
FIG. 6 is an illustrative view of the pant strap showing my new design in a position of use. The broken line showing of the pants and foot in FIG. 6 depicts unclaimed environment only and forms no part of the claimed design.

1 Claim, 3 Drawing Sheets



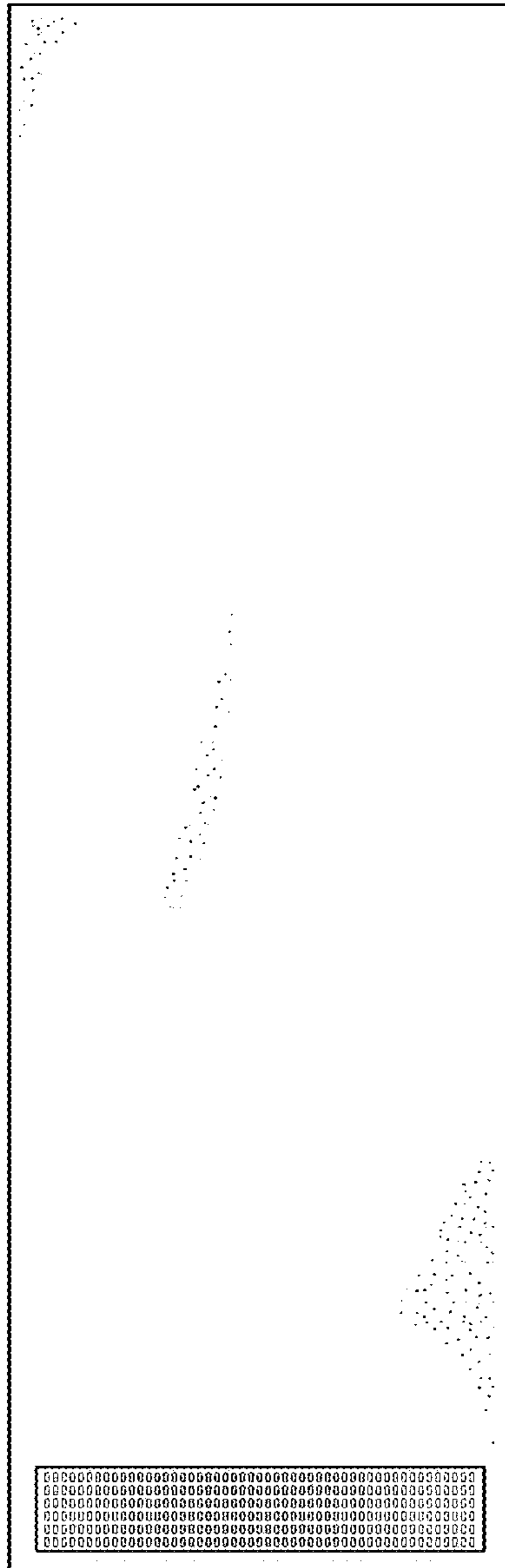


Fig. 1

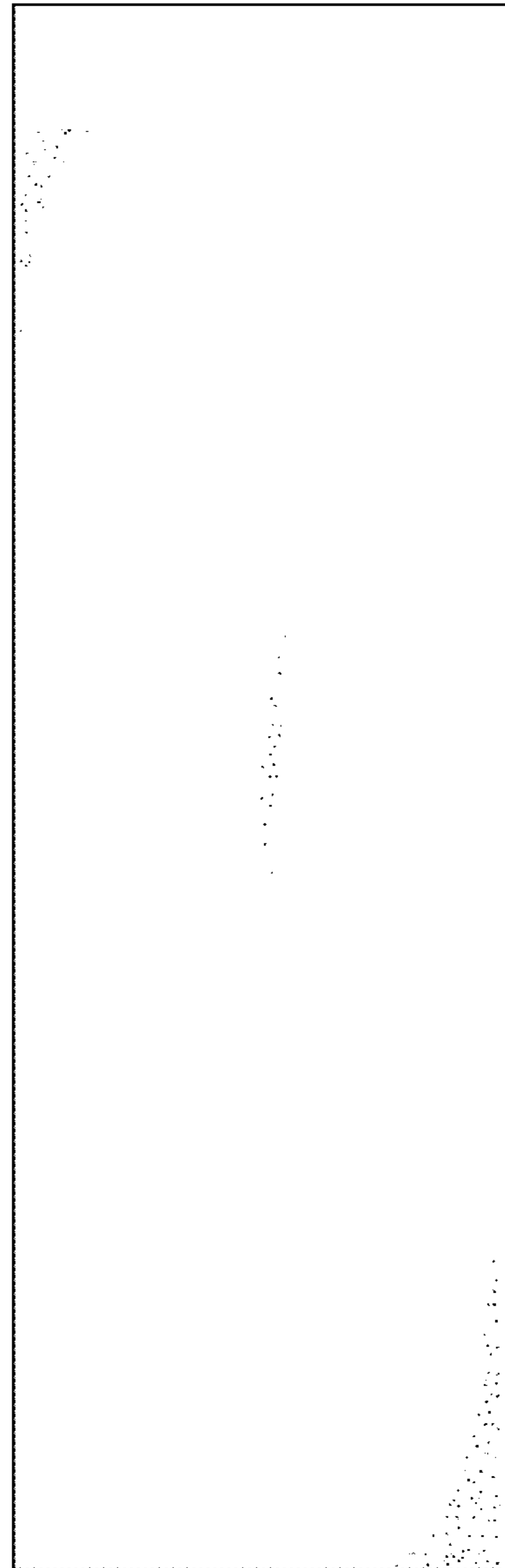


Fig. 2

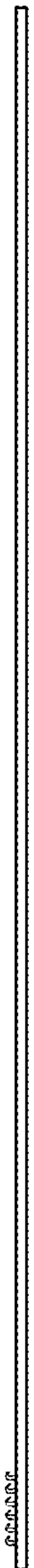


Fig. 3

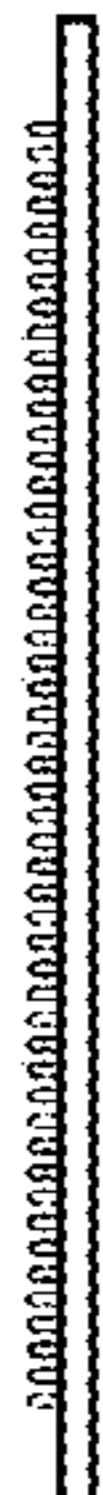


Fig. 4

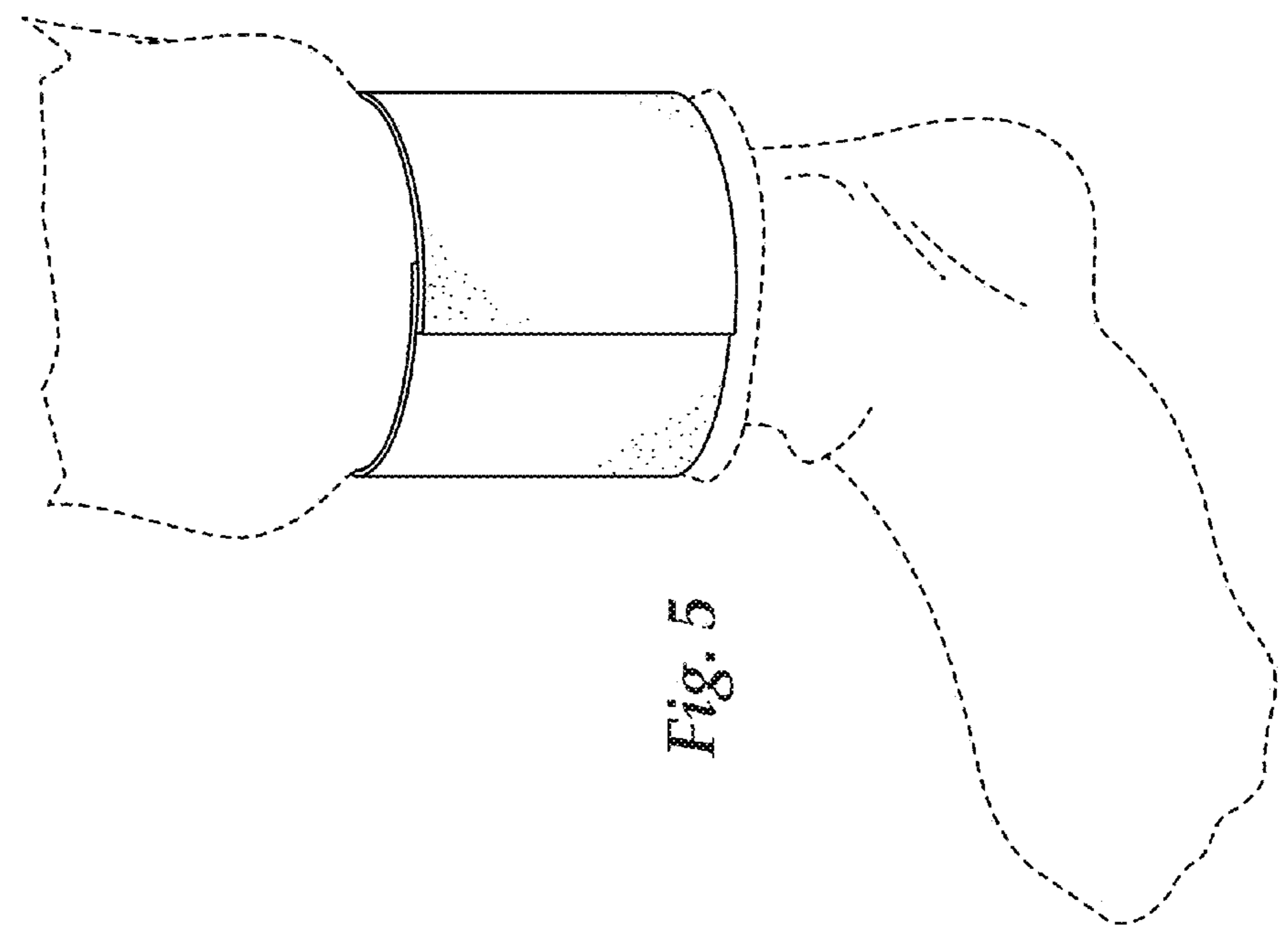


Fig. 5

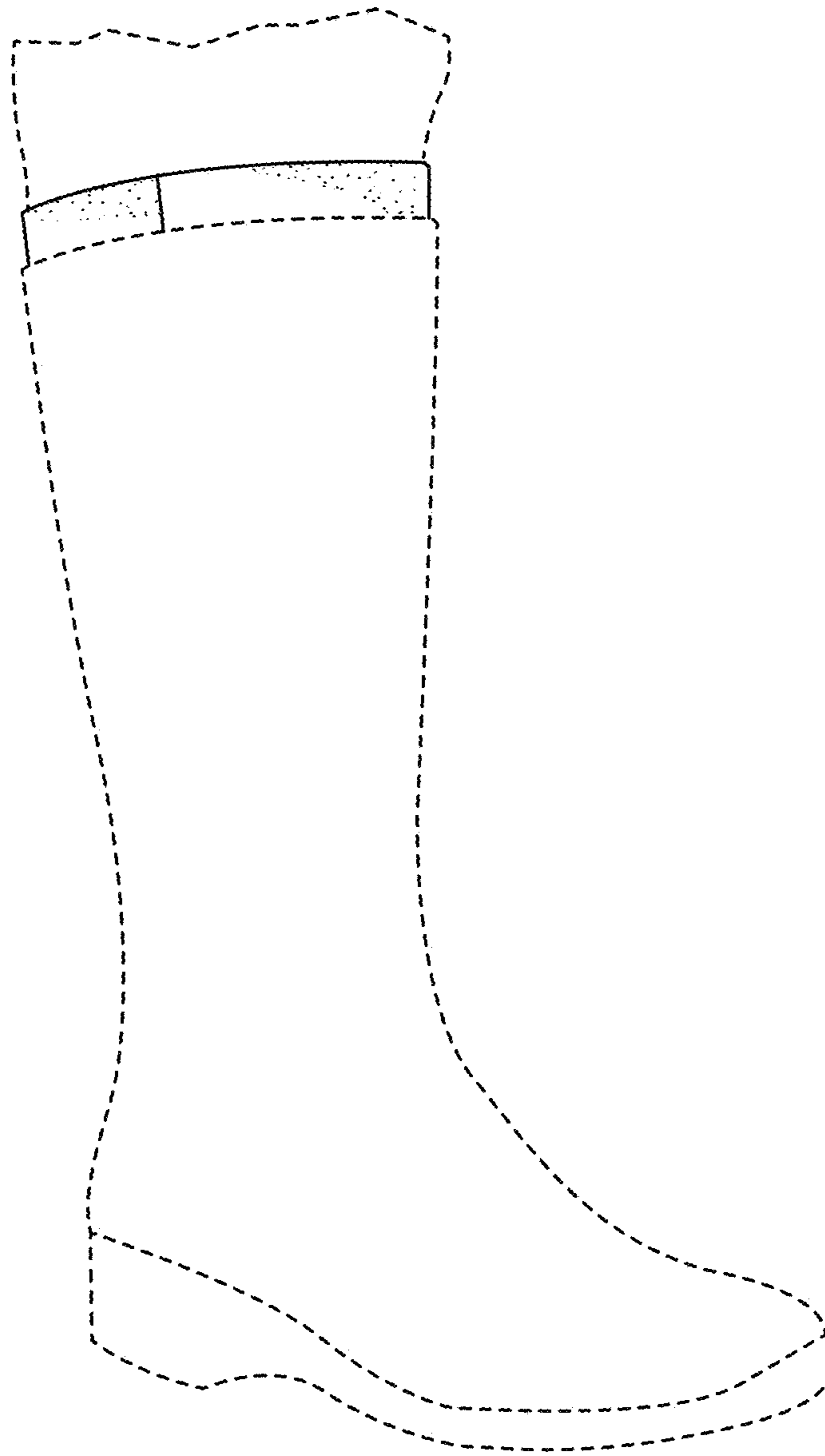


Fig. 6