



US00D725343S

(12) **United States Design Patent**
Rogers et al.

(10) **Patent No.:** **US D725,343 S**
(45) **Date of Patent:** **** Mar. 31, 2015**

- (54) **ROOT VEGETABLE PRODUCT**
- (71) Applicant: **McCain Foods Limited**,
Florenceville-Bristol (CA)
- (72) Inventors: **David M. Rogers**, Woodstock (CA);
John Aikens, New Maryland (CA)
- (73) Assignee: **McCain Foods Limited**,
Florenceville-Bristol (CA)
- (**) Term: **14 Years**
- (21) Appl. No.: **29/456,291**
- (22) Filed: **May 30, 2013**
- (51) **LOC (10) Cl.** **01-01**
- (52) **U.S. Cl.**
USPC **D1/125**
- (58) **Field of Classification Search**
CPC A21D 13/0029; A21D 13/0074; A21D
13/0222; A21D 13/0006; A23L 1/1641;
A23L 1/005
USPC D1/100–130, 199; D7/504, 509, 510,
D7/523, 524, 555, 566, 568, 584–587, 602,
D7/672, 300.1; D21/386, 672, 803, 821;
D19/91; 426/92, 94, 95, 99, 101,
426/138–139, 143, 279, 282, 283, 391,
426/514; D11/146, 151, 154, 78, 131, 141,
D11/152; D14/480.5, 484.1; D25/119, 121,
D25/126; D30/160; 220/566; D34/28, 29
See application file for complete search history.

4,893,807	A *	1/1990	Ahrens	472/116
D313,298	S *	12/1990	Elmas et al.	D34/28
D323,414	S *	1/1992	Bruke	D34/29
D326,944	S *	6/1992	Bruke	D34/29
5,211,098	A *	5/1993	Mendenhall	83/865
5,296,252	A *	3/1994	Mendenhall	426/615
5,378,197	A *	1/1995	Briggs	472/128
D458,434	S *	6/2002	Bortone	D1/125
D492,087	S *	6/2004	Bortone	D1/125
D501,697	S *	2/2005	Bortone	D1/125
D523,191	S *	6/2006	Wang	D30/160
D640,036	S *	6/2011	Walker et al.	D1/125
D666,378	S *	9/2012	Dixon	D1/125
D688,437	S *	8/2013	Walker et al.	D1/125
D703,782	S *	4/2014	Svendsen	D21/821
2011/0311685	A1 *	12/2011	Hogan et al.	426/92
2013/0087032	A1 *	4/2013	Walker et al.	83/402

OTHER PUBLICATIONS

Twist Pasta, Jan. 23, 2008. [online.] [retrieved on Aug. 29, 2014].
Retrieved from internet <URL: http://www.amsan.org/Food/pasta_lithuania.htm>.*

* cited by examiner

Primary Examiner — Deanna L Pratt
Assistant Examiner — Katie Mroczka
(74) *Attorney, Agent, or Firm* — Panitch Schwarze Belisario
& Nadel LLP

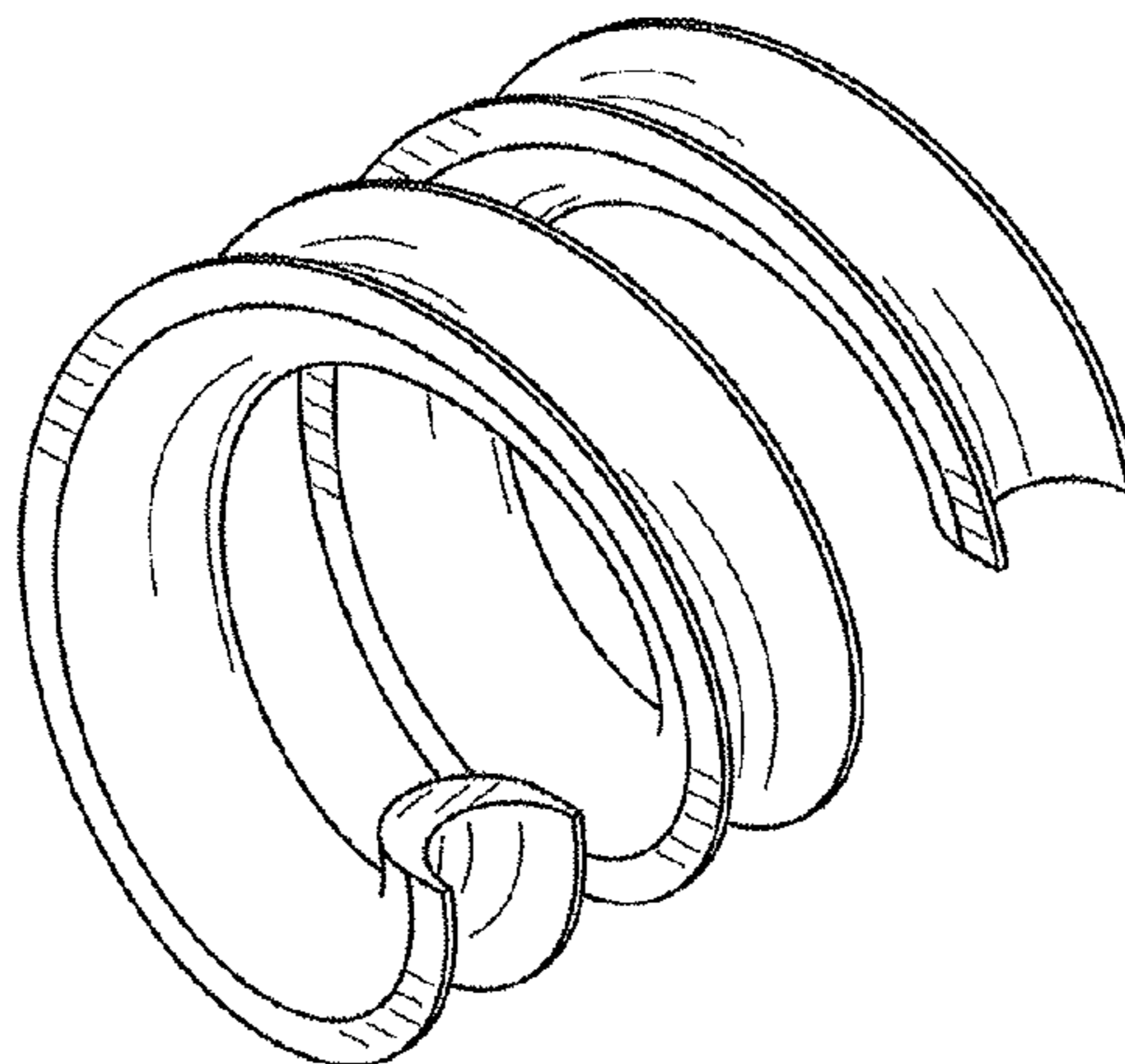
(57) **CLAIM**
The ornamental design for a root vegetable product, as shown
and described.

DESCRIPTION

FIG. 1 is a front perspective view of a root vegetable product
in accordance with our new design;
FIG. 2 is a left side elevational view thereof;
FIG. 3 is a front elevational view thereof;
FIG. 4 is a right side elevational view thereof;
FIG. 5 is a rear elevational view thereof;
FIG. 6 is a top plan view thereof; and,
FIG. 7 is a bottom plan view thereof.

1 Claim, 2 Drawing Sheets

- (56) **References Cited**
U.S. PATENT DOCUMENTS
- | | | | | | |
|-----------|-----|---------|----------------|-------|---------|
| 1,802,698 | A * | 4/1931 | Blanchard | | 426/138 |
| D221,963 | S * | 9/1971 | Henning | | D21/821 |
| D227,382 | S * | 6/1973 | Wormser et al. | | D21/821 |
| 3,814,418 | A * | 6/1974 | Henning | | 472/116 |
| D271,385 | S * | 11/1983 | Novak | | D11/131 |
| D292,938 | S * | 11/1987 | Tarlton et al. | | D34/29 |
| D296,489 | S * | 6/1988 | Nair | | D34/28 |



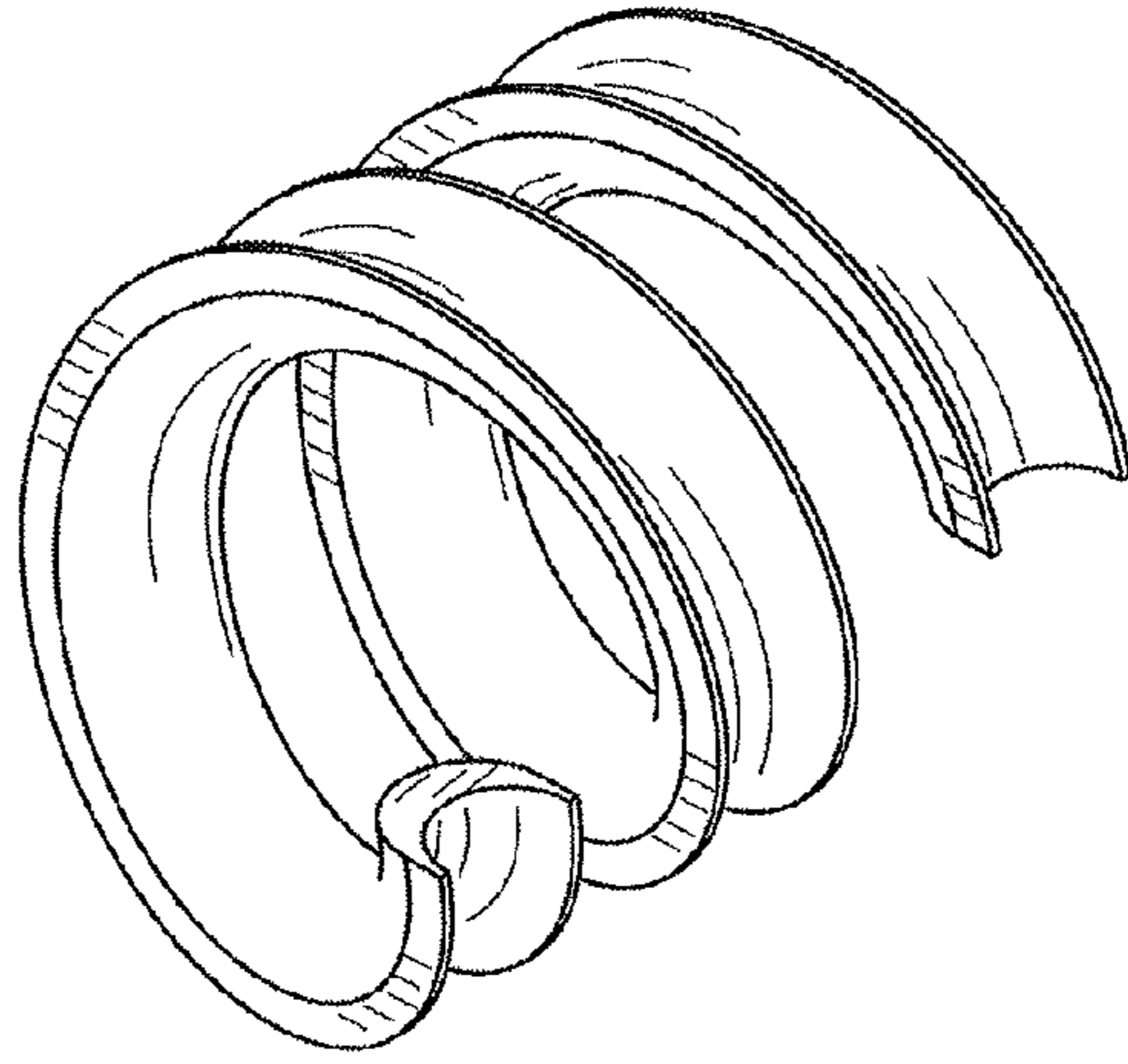


FIG. 1

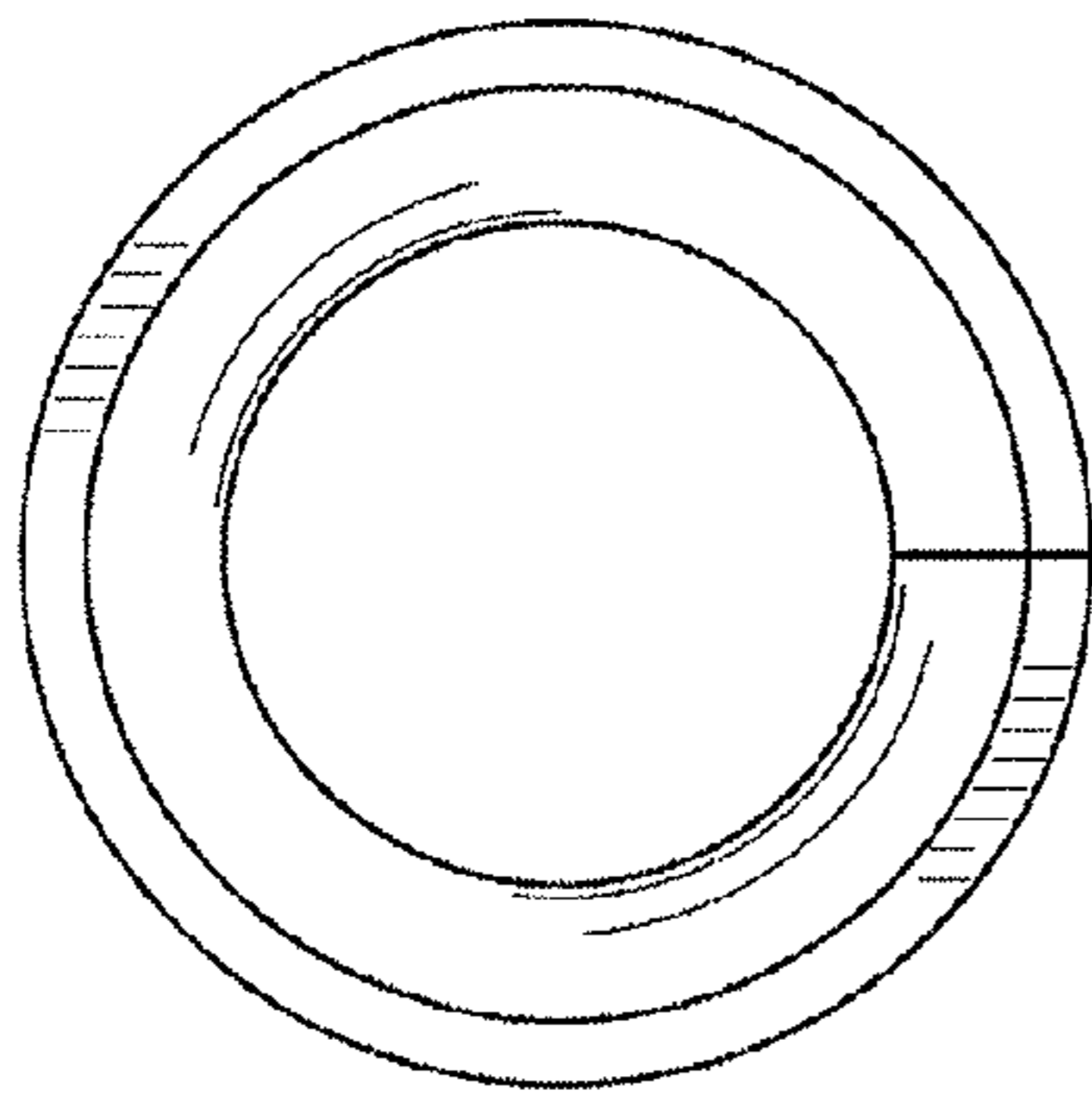


FIG. 2

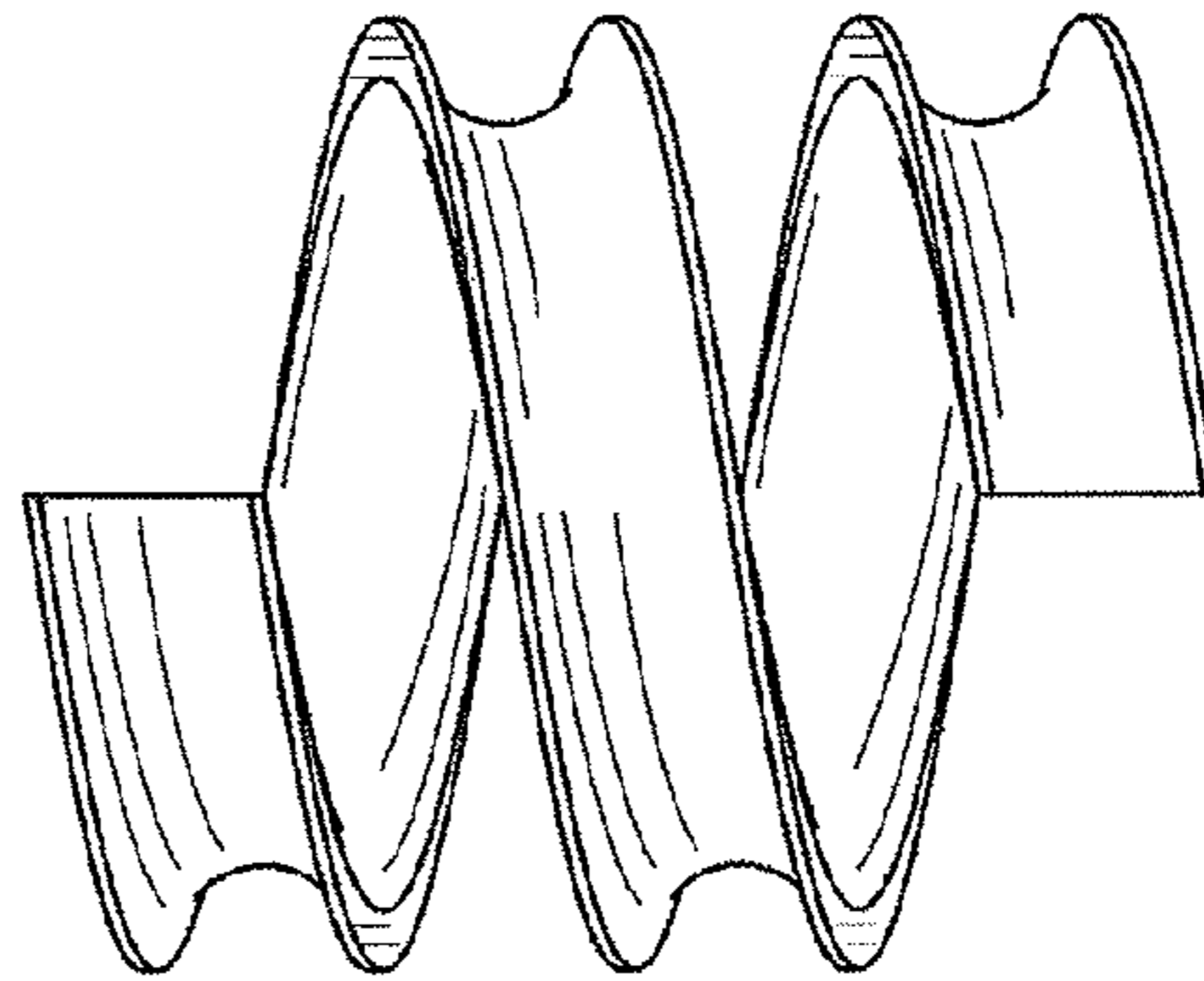


FIG. 3

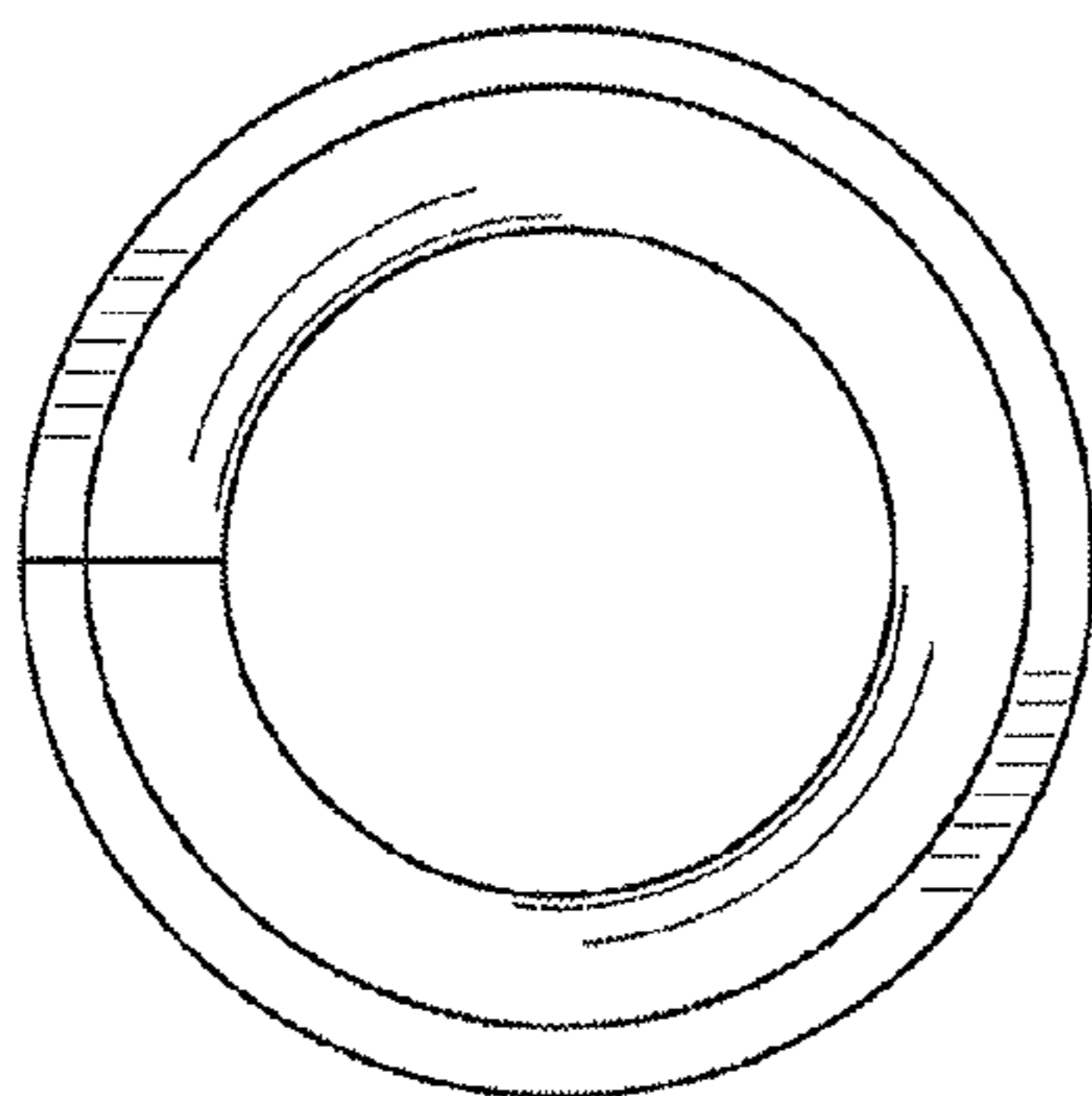


FIG. 4

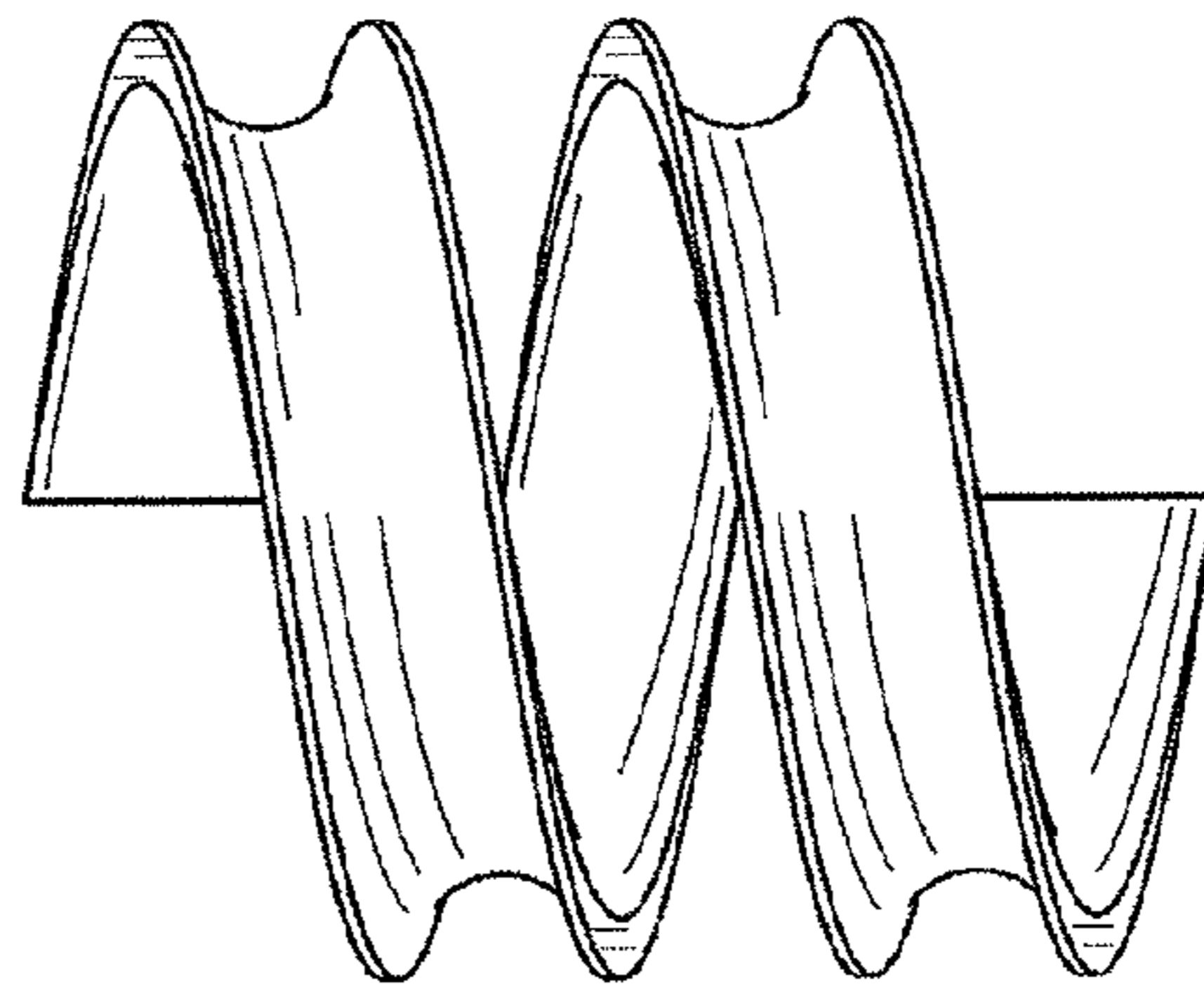


FIG. 5

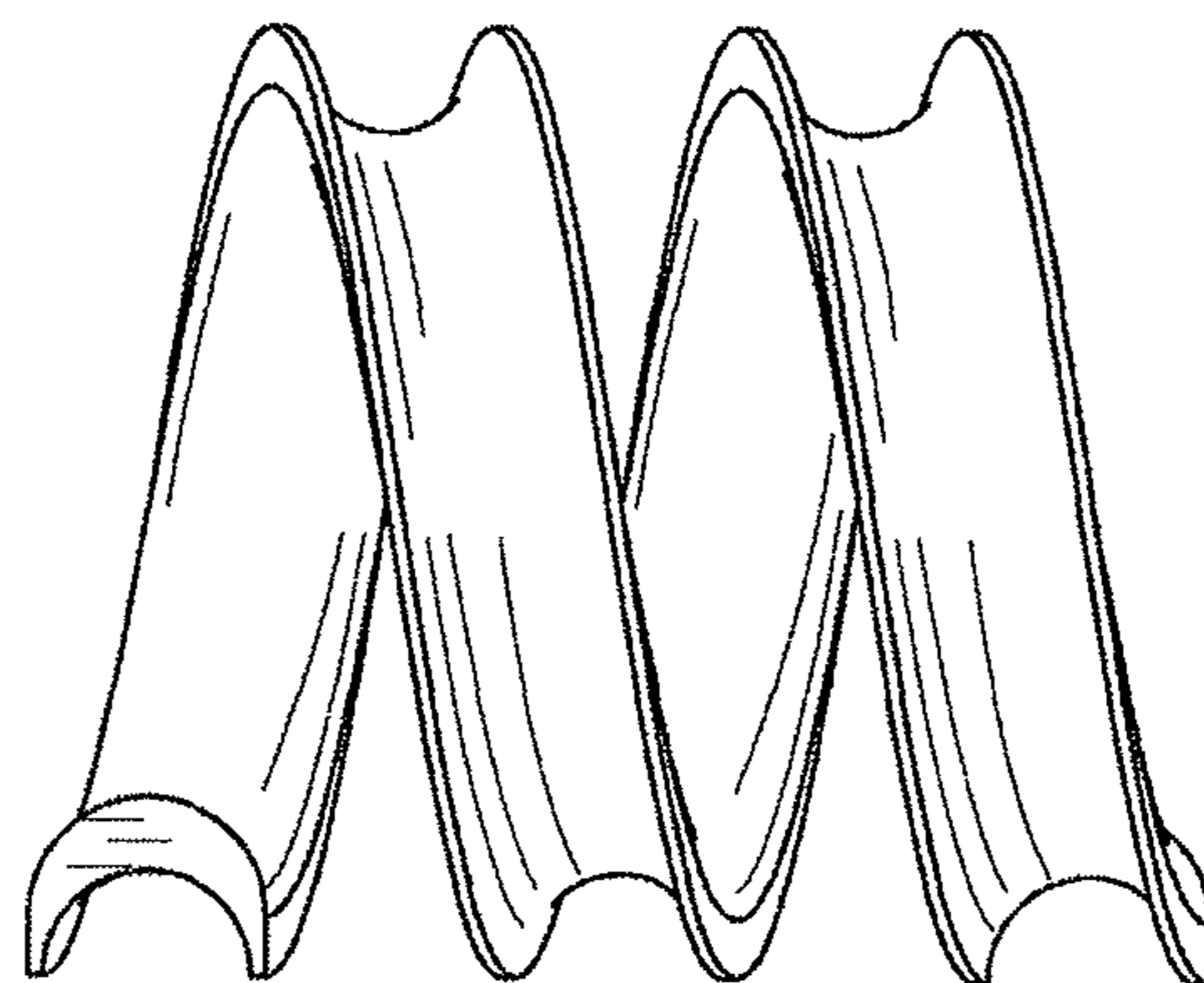


FIG. 6

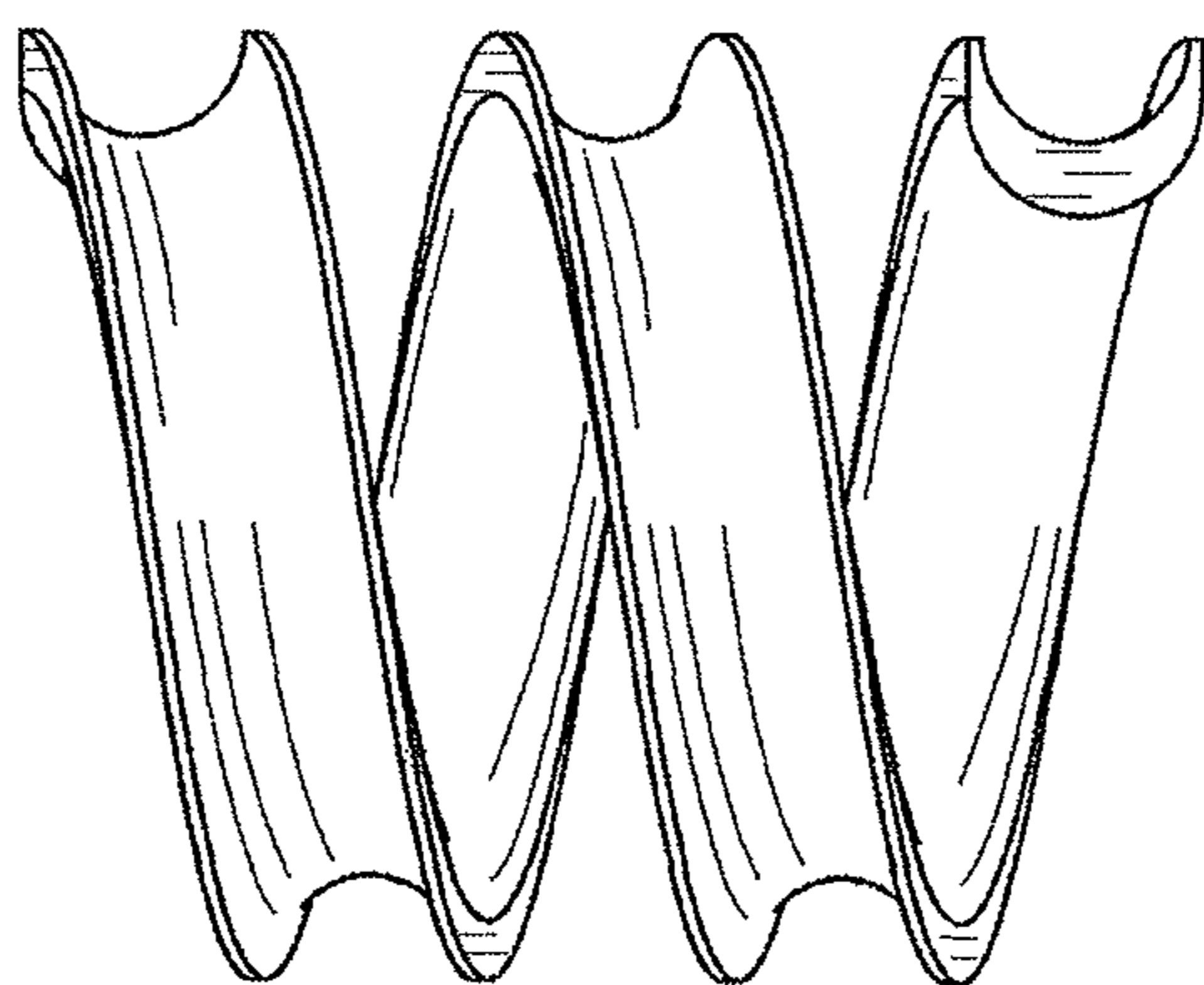


FIG. 7