



US00D725341S

(12) **United States Design Patent**
Schweitzer

(10) **Patent No.:** **US D725,341 S**
(45) **Date of Patent:** **** Mar. 31, 2015**

(54) **CONFECTION**
(71) Applicant: **Societe des Produits Nestle S.A., Vevey**
(CH)
(72) Inventor: **Christian Schweitzer, Bottrop** (DE)
(73) Assignee: **Societe des Produits Nestle S.A., Vevey**
(CH)
(**) Term: **14 Years**

3,843,825 A *	10/1974	Hawley	426/393
3,941,892 A *	3/1976	Glasser et al.	426/104
D249,269 S *	9/1978	Pitts	D15/90
D281,505 S *	11/1985	Larsen et al.	D15/136
D309,905 S *	8/1990	Weissman	D15/90
D340,119 S *	10/1993	Lane	D1/121
D348,473 S *	7/1994	Griffin, Sr.	D15/90
D404,887 S *	2/1999	Prins	D1/129
D563,076 S *	3/2008	Brooking et al.	D1/127
D591,927 S *	5/2009	Wilson et al.	D1/127
D658,846 S *	5/2012	Greer et al.	D1/121

* cited by examiner

(21) Appl. No.: **29/471,281**
(22) Filed: **Oct. 30, 2013**
(51) **LOC (10) Cl.** **01-01**
(52) **U.S. Cl.**
USPC **D1/121; D1/127**
(58) **Field of Classification Search**
CPC A23G 3/54; A23G 4/20; A23G 3/343;
A23G 3/36; A23G 3/28; A61K 9/2072;
A61K 9/2095
USPC D1/100-130, 199; 426/5, 104, 249,
426/275, 660; D24/101-104; 273/429;
D9/707; D28/8.1; D14/433; D7/354,
D7/359, 391, 672; D15/90
See application file for complete search history.

Primary Examiner — Deanna L Pratt
Assistant Examiner — Katie Mroczka
(74) *Attorney, Agent, or Firm* — K&L Gates LLP

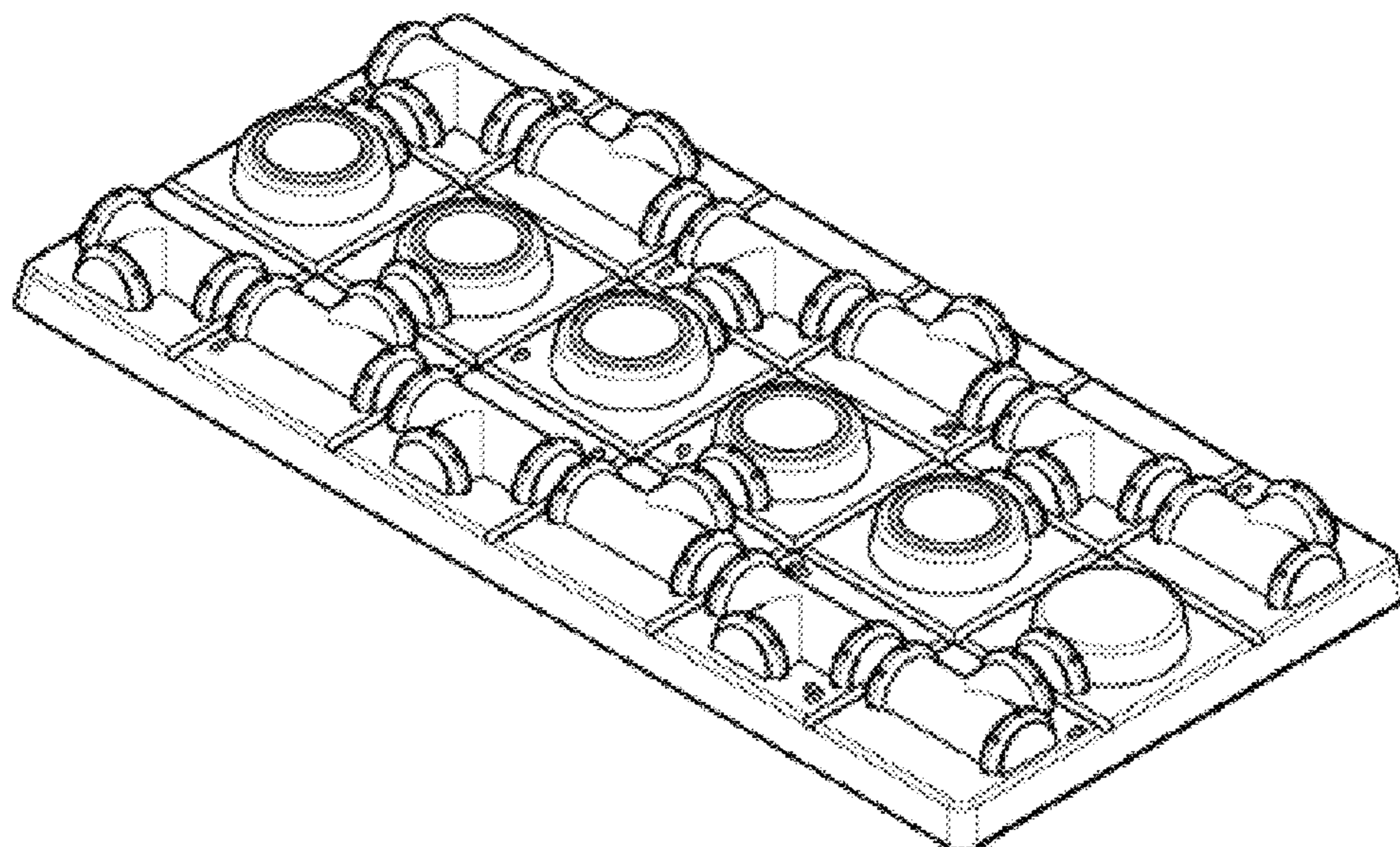
(57) **CLAIM**
The ornamental design for a confection, as shown and described.

DESCRIPTION

FIG. 1 illustrates a top perspective view of a confection according to the present disclosure;
FIG. 2 illustrates a bottom perspective view thereof;
FIG. 3 illustrates a top plan view thereof;
FIG. 4 illustrates a bottom plan view thereof;
FIG. 5 illustrates a front side elevational view thereof;
FIG. 6 illustrates a rear side elevational view thereof;
FIG. 7 illustrates a left side elevational view thereof; and,
FIG. 8 illustrates a right side elevational view thereof.

(56) **References Cited**
U.S. PATENT DOCUMENTS
D91,644 S * 3/1934 Blackstone D24/101
2,712,224 A * 7/1955 Roethel 249/139

1 Claim, 6 Drawing Sheets



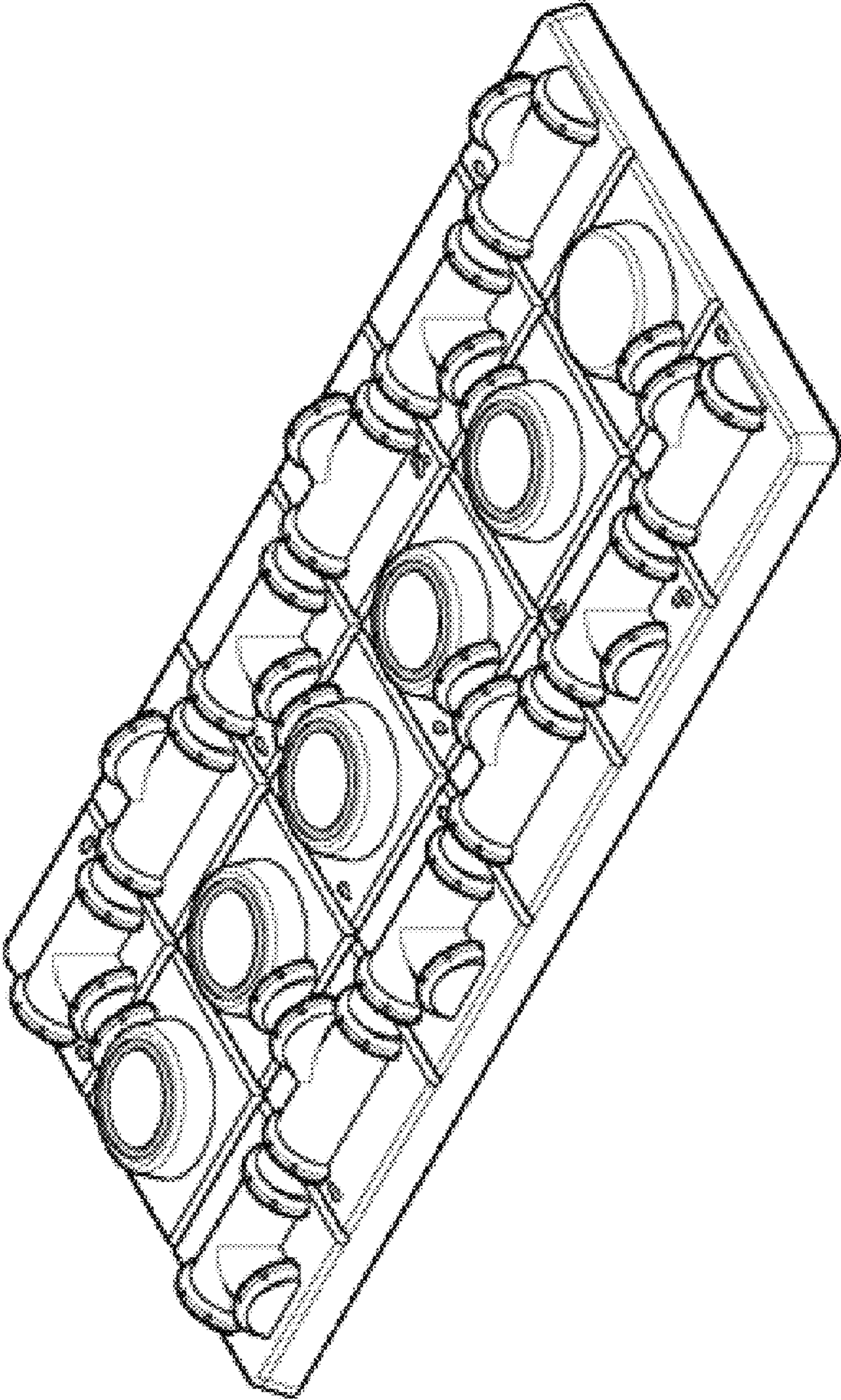


FIG. 1

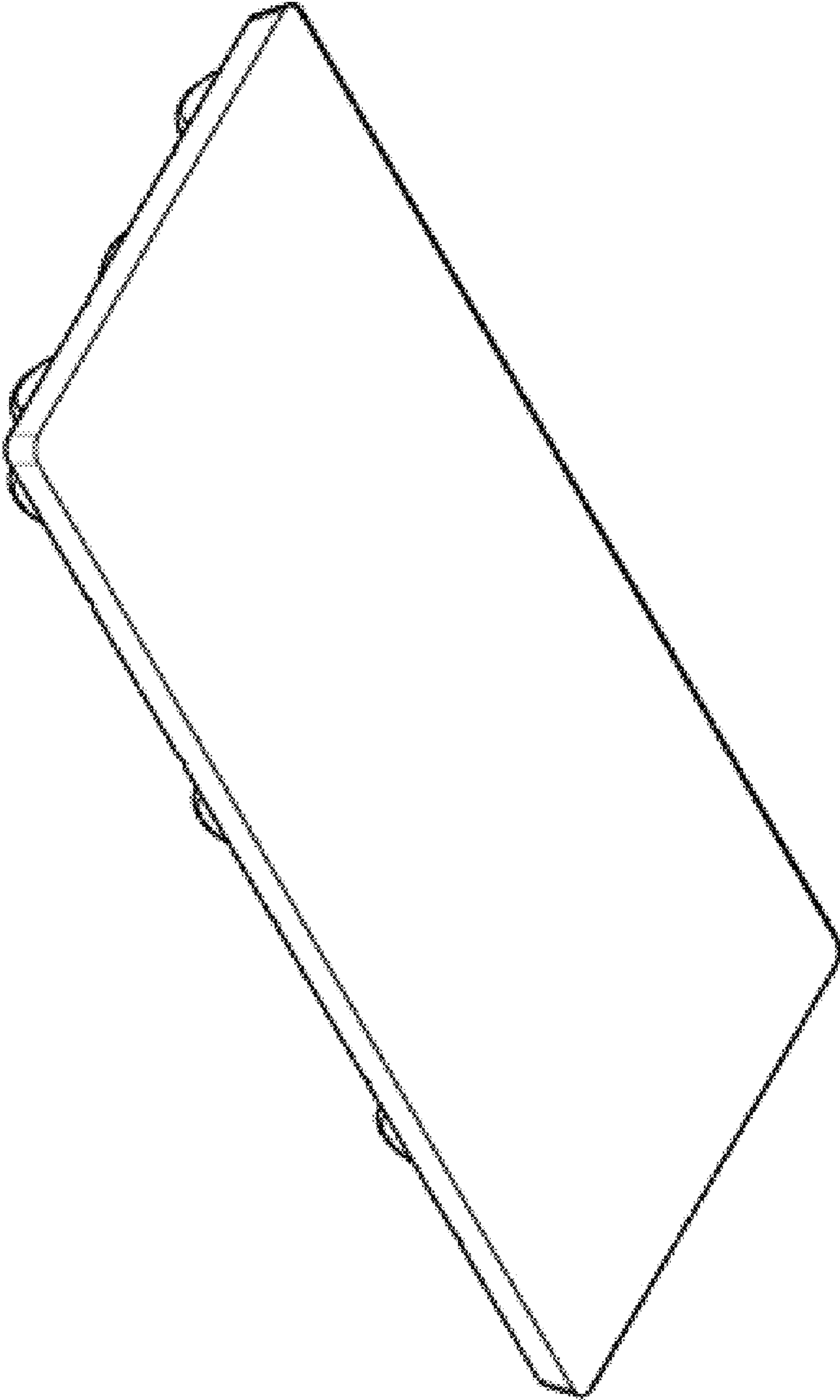


FIG. 2

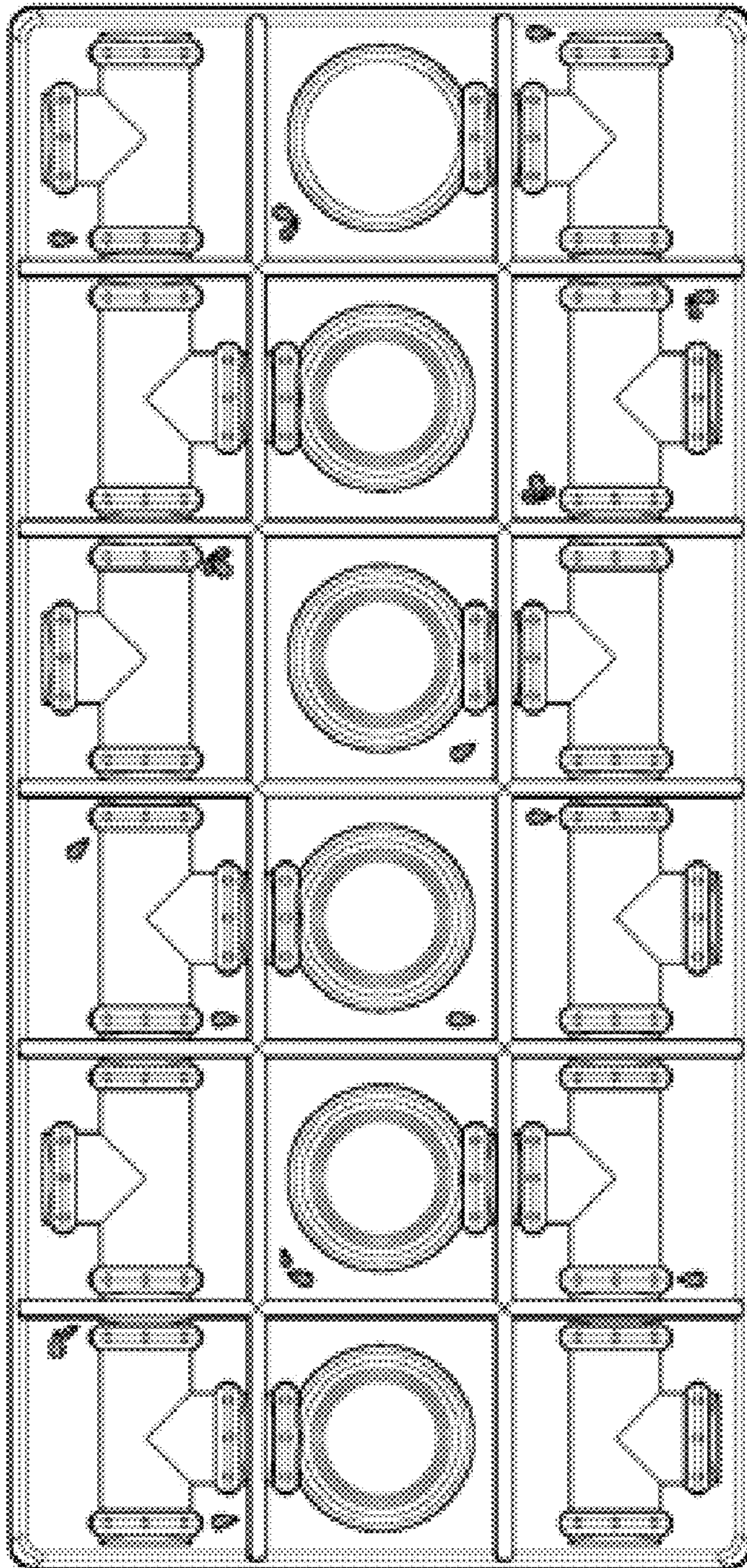


FIG. 3



FIG. 4



FIG. 5



FIG. 6

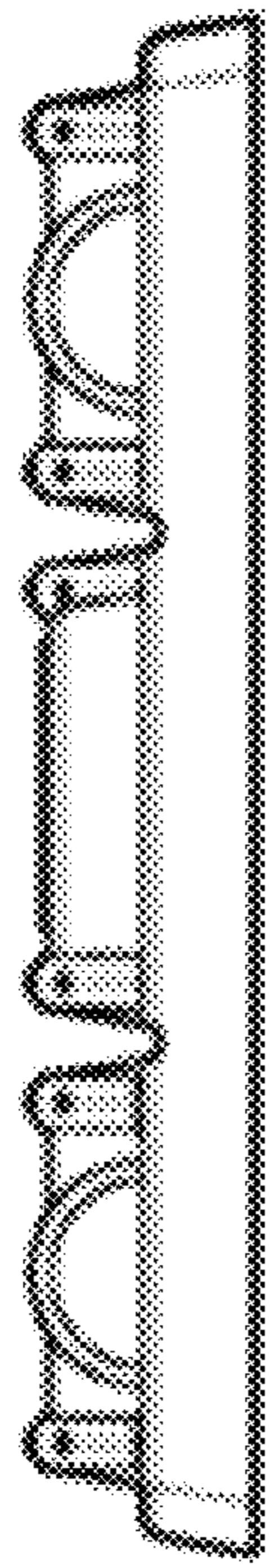


FIG. 7

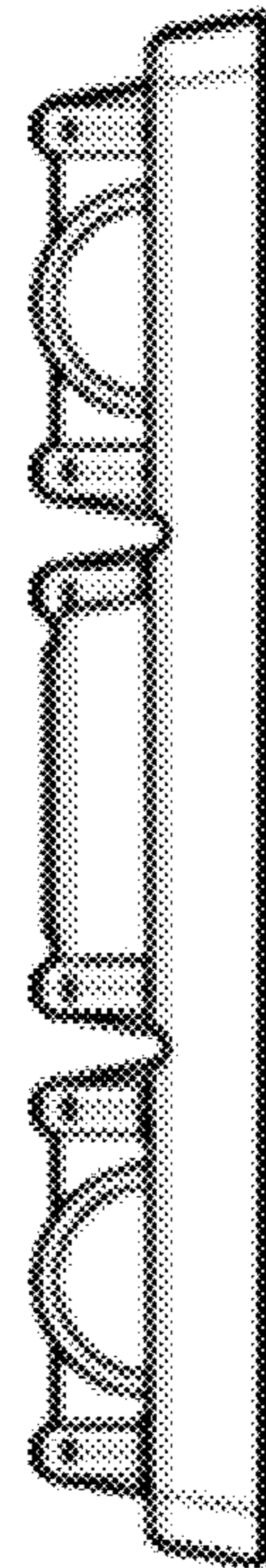


FIG. 8