



US00D725340S

(12) **United States Design Patent**
Giometti

(10) **Patent No.:** **US D725,340 S**
(45) **Date of Patent:** **** Mar. 24, 2015**

- (54) **FARE COLLECTION BOX**
- (71) Applicant: **SPX Corporation**, Charlotte, NC (US)
- (72) Inventor: **Tim Giometti**, Elks Grove Village, IL (US)
- (73) Assignee: **SPX Corporation**, Charlotte, NC (US)
- (**) Term: **14 Years**
- (21) Appl. No.: **29/496,729**
- (22) Filed: **Jul. 16, 2014**
- (51) **LOC (10) Cl.** **99-00**
- (52) **U.S. Cl.**
USPC **D99/28**
- (58) **Field of Classification Search**
USPC D99/28, 34, 35, 36, 43, 99; D14/300, D14/301, 302, 303, 900-902; D18/3.1, 3.2, D18/3.3, 4.4, 4.5, 4.6, 12, 12.1, 12.3; 101/66; 109/1 R, 1 V, 2, 23, 24.1, 25, 109/58, 66; 206/0.8, 0.81, 0.815, 0.82, 206/0.83, 0.84; 446/8-13
See application file for complete search history.

- D530,880 S * 10/2006 Magee et al. D99/28
- D596,373 S * 7/2009 Kang et al. D99/28
- D603,125 S * 10/2009 Lara Bartolome D99/28
- D625,305 S * 10/2010 Bleck et al. D14/307
- D629,585 S * 12/2010 Bleck et al. D99/28
- D645,223 S * 9/2011 Bleck et al. D99/28
- D674,985 S * 1/2013 Lee D99/28
- D680,156 S * 4/2013 Hernandez et al. D18/4.4
- D701,365 S * 3/2014 Kimoto et al. D99/43
- D702,415 S * 4/2014 Kimoto et al. D99/43
- D708,814 S * 7/2014 Lee et al. D99/28
- 2006/0073883 A1 * 4/2006 Franks 463/25
- 2008/0296365 A1 * 12/2008 Schliebe 235/379

* cited by examiner

Primary Examiner — Elizabeth J Oswecki
(74) *Attorney, Agent, or Firm* — Baker & Hostetler LLP

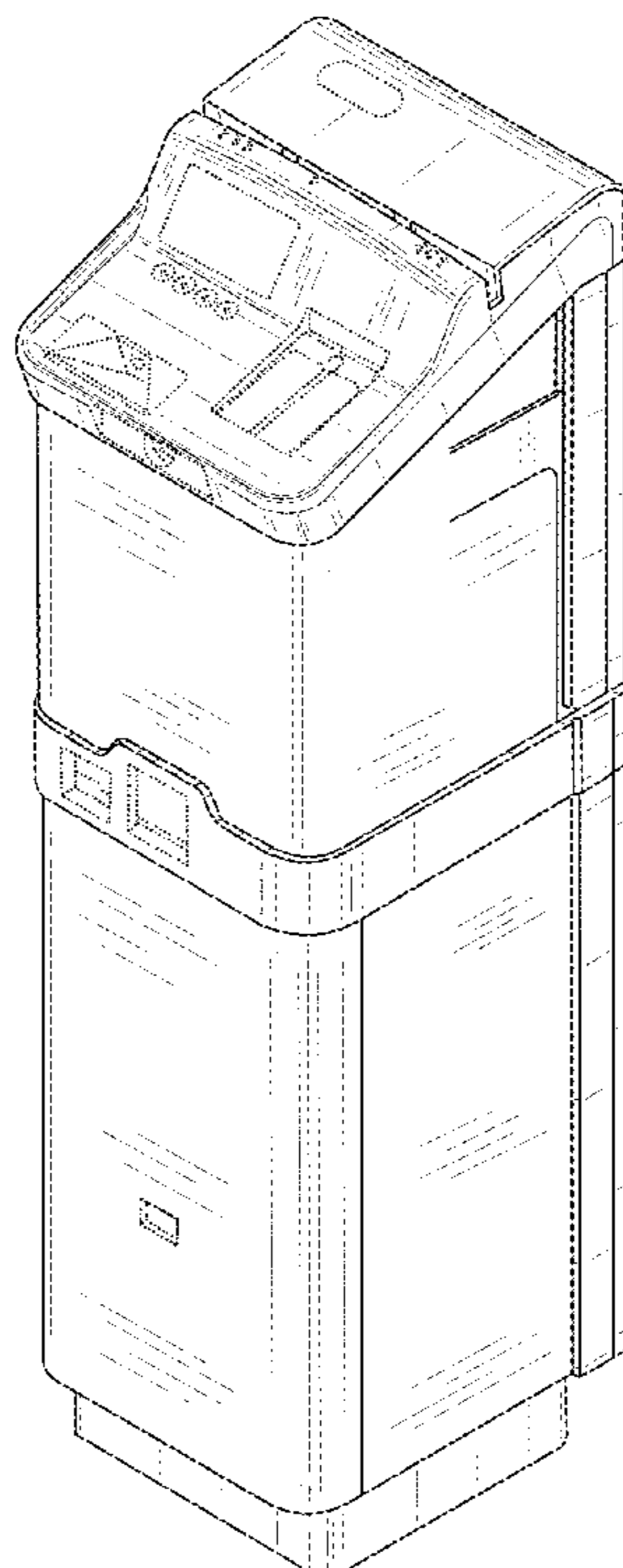
(57) **CLAIM**
The ornamental design for a fare collection box, as shown and described.

DESCRIPTION

FIG. 1 is a front perspective view of a fare collection box, showing my new design;
FIG. 2 is a left side view thereof;
FIG. 3 is a right side view thereof;
FIG. 4 is a front view thereof;
FIG. 5 is a rear view thereof;
FIG. 6 is a top view thereof; and,
FIG. 7 is a bottom view thereof.
The broken lines shown in the drawings represent portions of the fare collection box that form no part of the claimed design.

1 Claim, 6 Drawing Sheets

- (56) **References Cited**
U.S. PATENT DOCUMENTS
- D394,458 S * 5/1998 Watanabe et al. D20/10
- D402,782 S * 12/1998 Johnson D99/28
- D419,277 S * 1/2000 Ishii et al. D99/35
- D447,164 S * 8/2001 Forslund D18/3.1
- D448,040 S * 9/2001 Forslund D18/3.1
- D492,080 S * 6/2004 Magee et al. D99/28



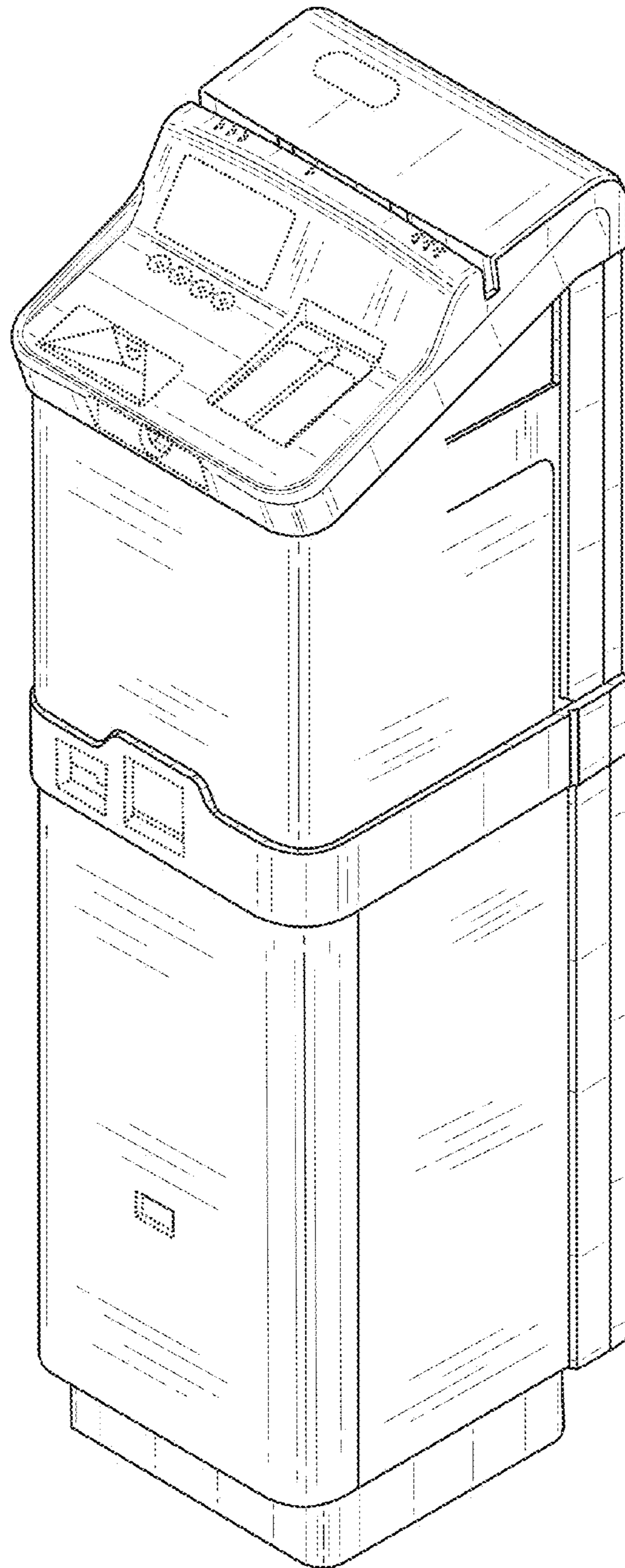


FIG. 1

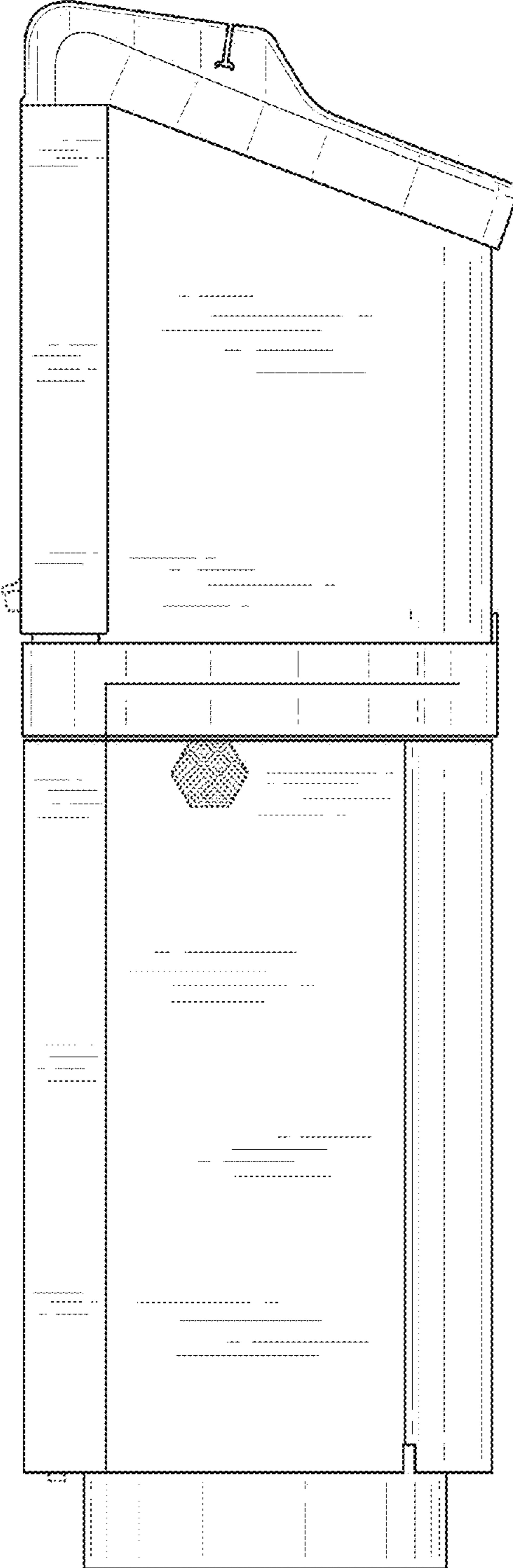


FIG. 2

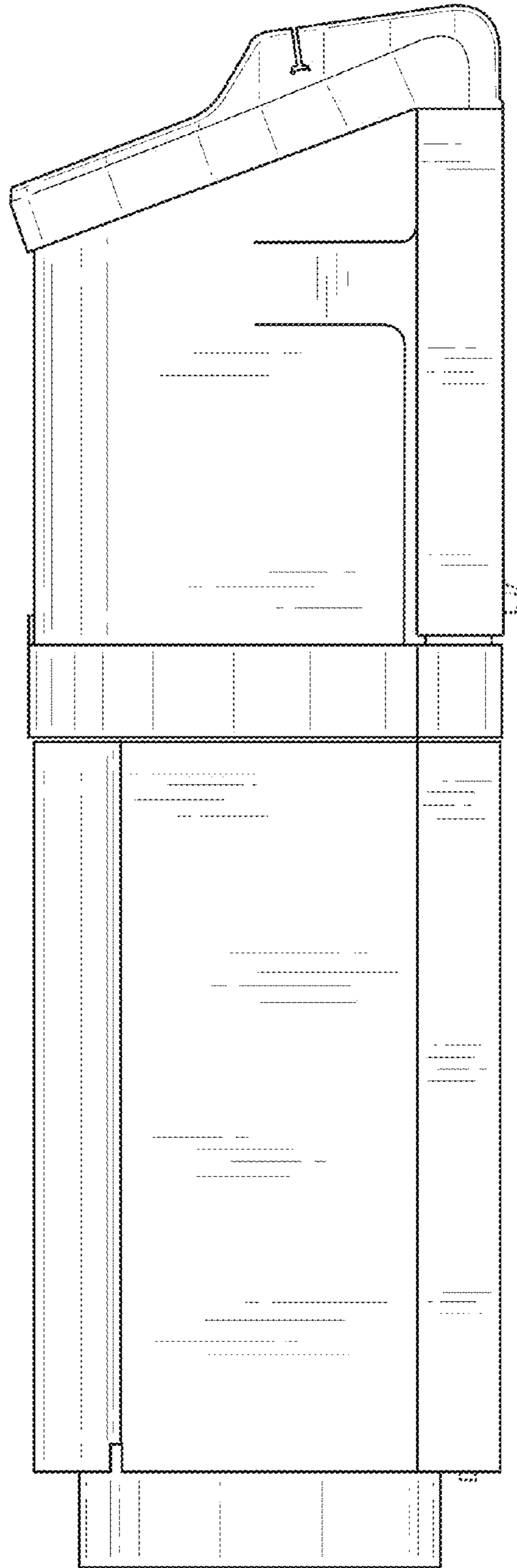


FIG. 3

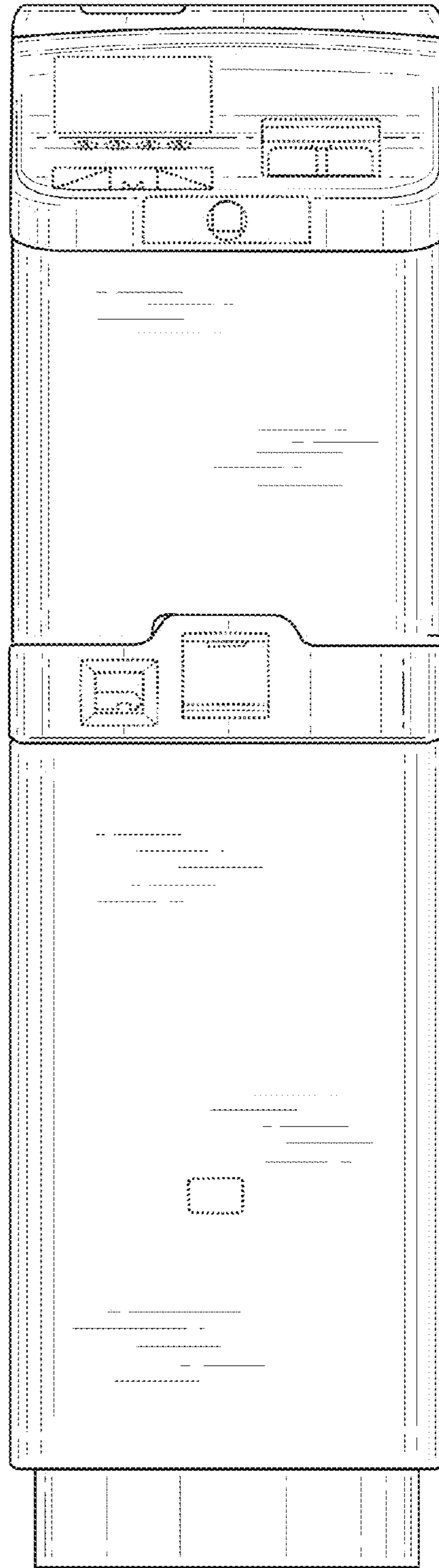


FIG. 4

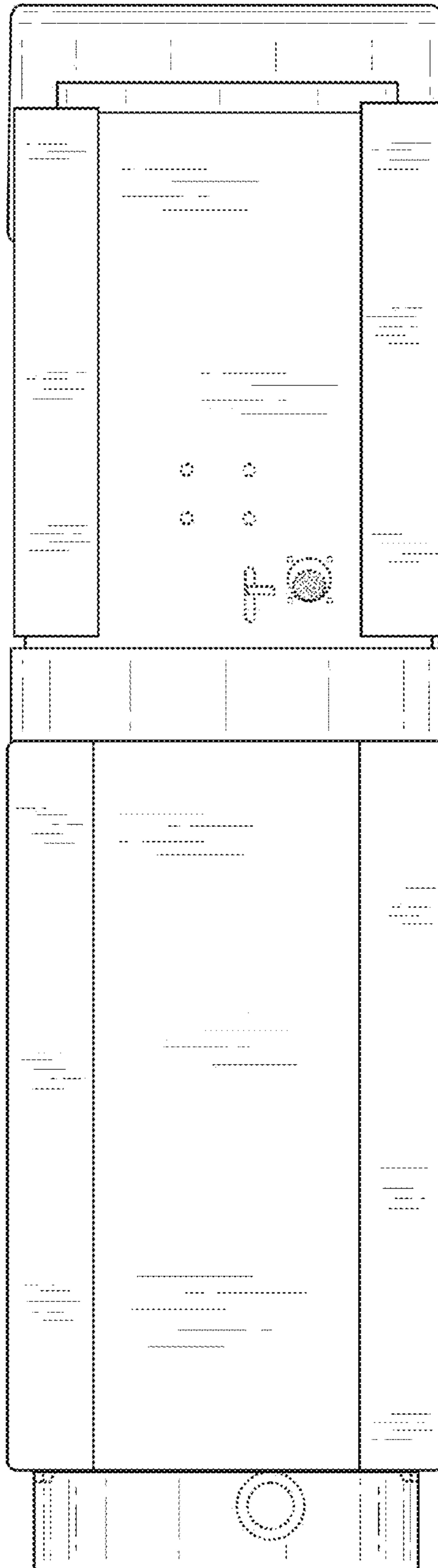


FIG. 5

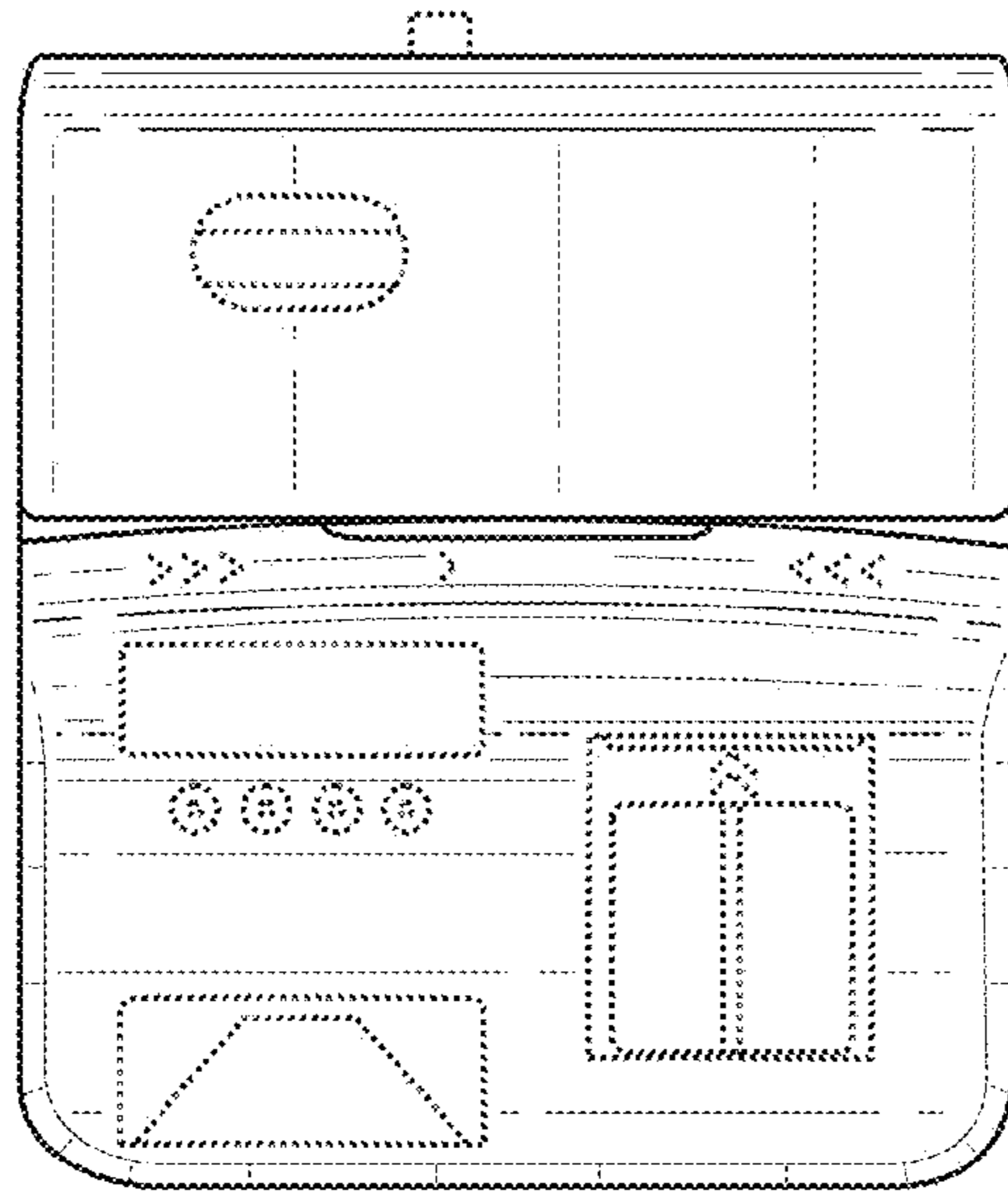


FIG. 6

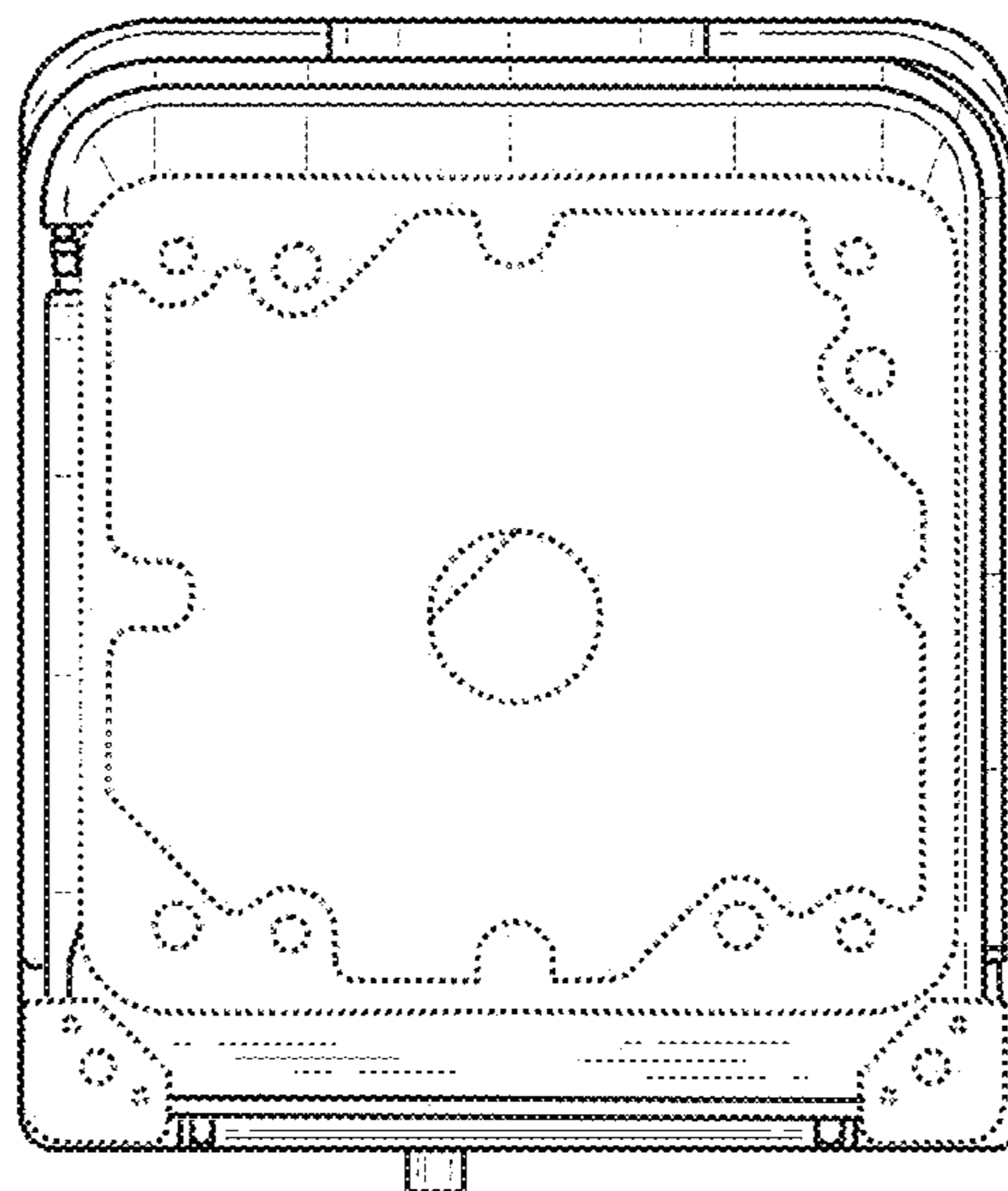


FIG. 7