



US00D725339S

(12) **United States Design Patent**  
**Fretz**

(10) **Patent No.:** **US D725,339 S**  
(45) **Date of Patent:** **\*\* Mar. 24, 2015**

(54) **ROPE COVER FOR A WINCH**  
(71) Applicant: **Warn Industries, Inc.**, Clackamas, OR (US)  
(72) Inventor: **Darren G. Fretz**, Canby, OR (US)  
(73) Assignee: **Warn Industries, Inc.**, Clackamas, OR (US)

(\*\*) Term: **14 Years**  
(21) Appl. No.: **29/446,628**

(22) Filed: **Feb. 26, 2013**  
(51) **LOC (10) Cl.** ..... **12-05**  
(52) **U.S. Cl.**  
USPC ..... **D34/35**  
(58) **Field of Classification Search**  
USPC ..... D34/33, 35; 254/382, 374, 356, 362,  
254/372, 380; 294/82.11; 280/490.1  
See application file for complete search history.

(56) **References Cited**

**U.S. PATENT DOCUMENTS**

D309,969 S \* 8/1990 Tamura ..... D34/33  
D473,992 S \* 4/2003 Hodge ..... D34/33  
D532,577 S \* 11/2006 Elliott et al. .... D34/33

D540,003 S \* 4/2007 Hagihara et al. .... D34/33  
D550,720 S \* 9/2007 Geisler et al. .... D34/33  
D550,924 S \* 9/2007 Huang ..... D34/33  
D597,105 S \* 7/2009 Geisler et al. .... D15/9  
D599,524 S \* 9/2009 Averill et al. .... D34/33  
D674,163 S \* 1/2013 Tarkiainen et al. .... D34/33  
D679,474 S \* 4/2013 Beaussart et al. .... D34/33  
D703,414 S \* 4/2014 Fretz et al. .... D34/33  
D706,514 S \* 6/2014 Weingartner ..... D34/33

\* cited by examiner

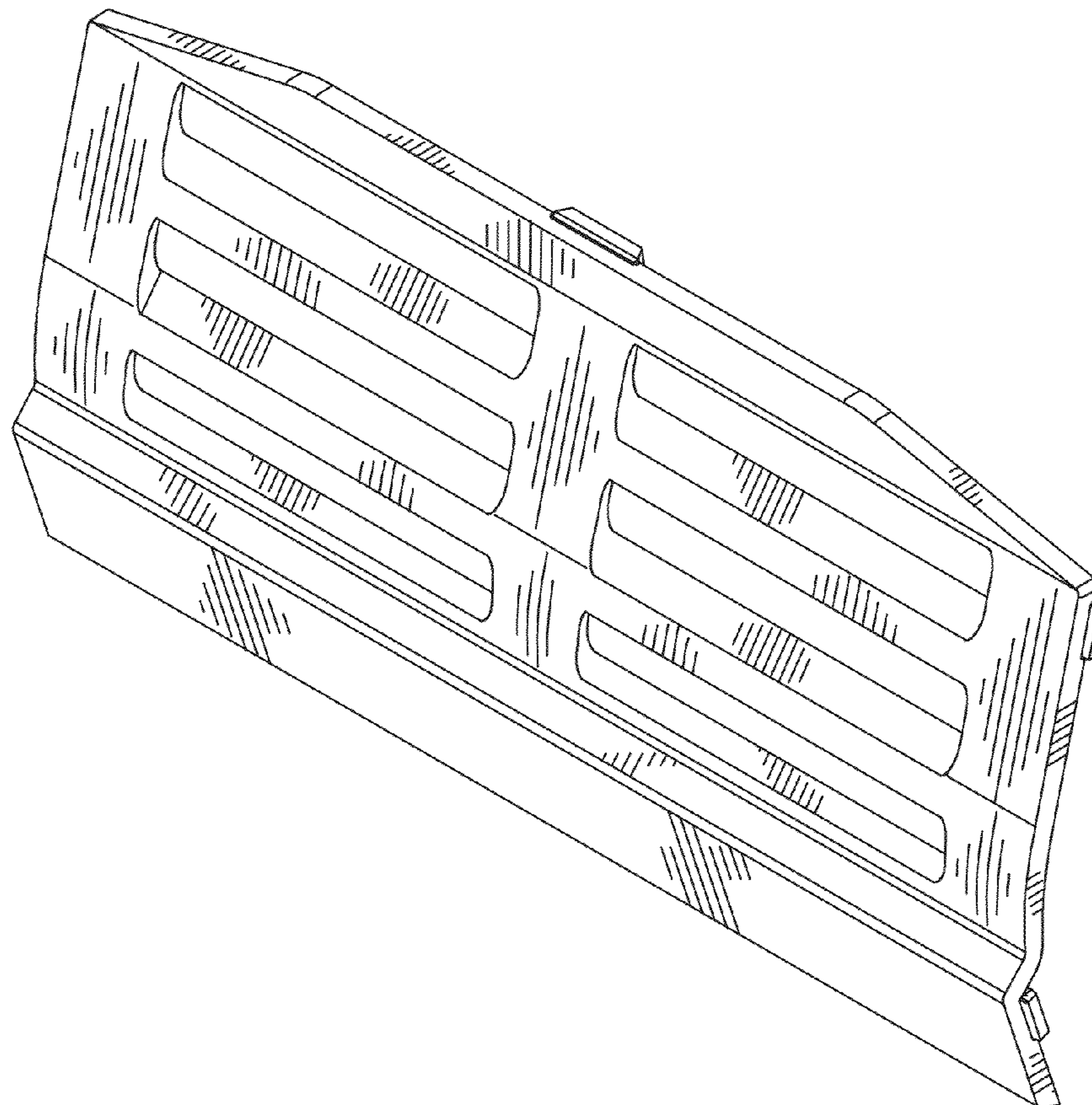
*Primary Examiner* — Cynthia Ramirez  
(74) *Attorney, Agent, or Firm* — Alleman Hall McCoy Russell & Tuttle LLP

(57) **CLAIM**  
The ornamental design for a rope cover for a winch, as shown and described.

**DESCRIPTION**

FIG. 1 is a front perspective view of a rope cover for a winch showing my new design;  
FIG. 2 is a front elevational view thereof;  
FIG. 3 is a right side elevational view thereof, the left side being a mirror image thereof;  
FIG. 4 is a top plan view thereof; and,  
FIG. 5 is a bottom plan view thereof.  
The back of the rope cover is non-ornamental and it is not part of the claimed design.

**1 Claim, 3 Drawing Sheets**



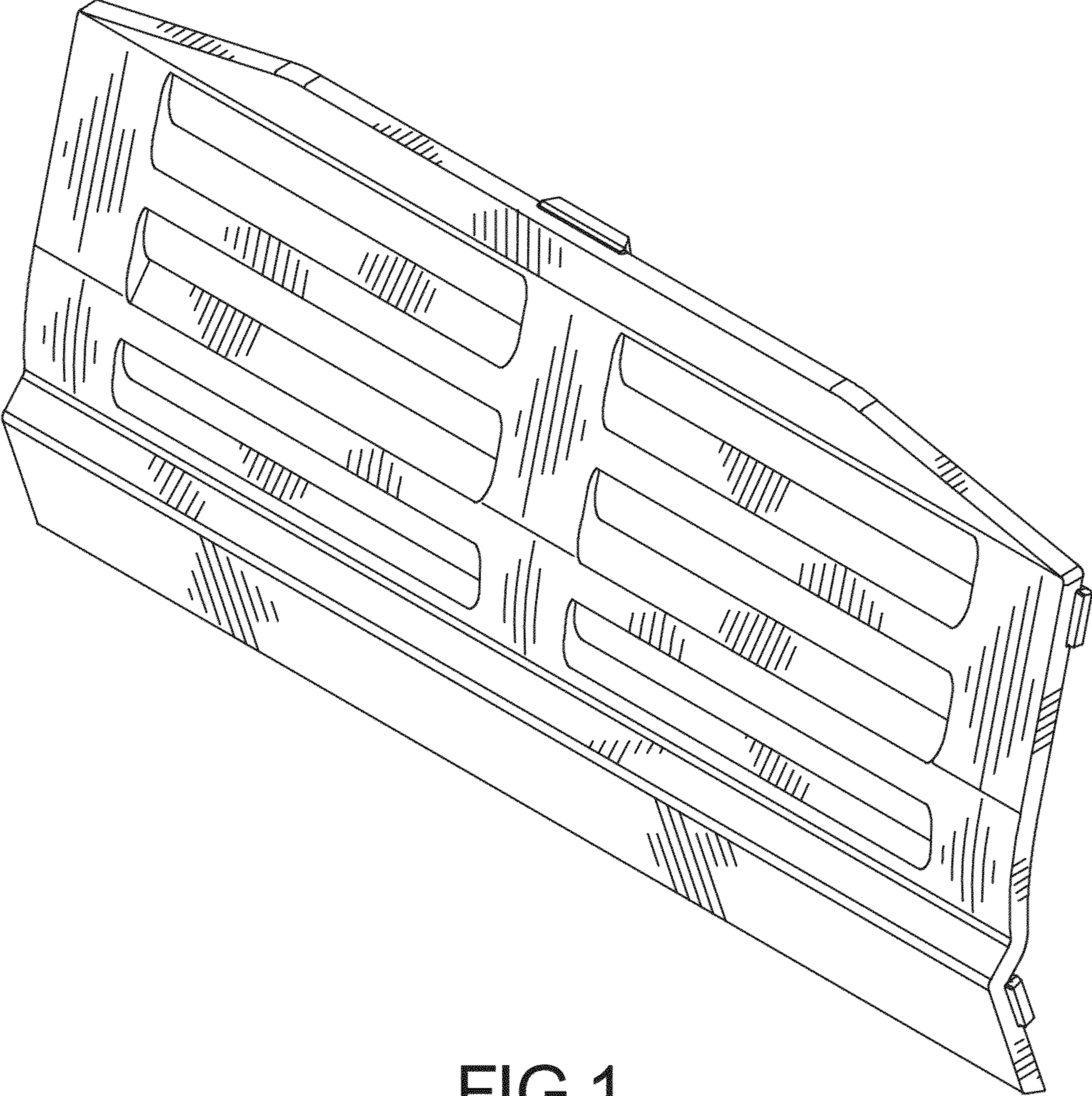


FIG 1

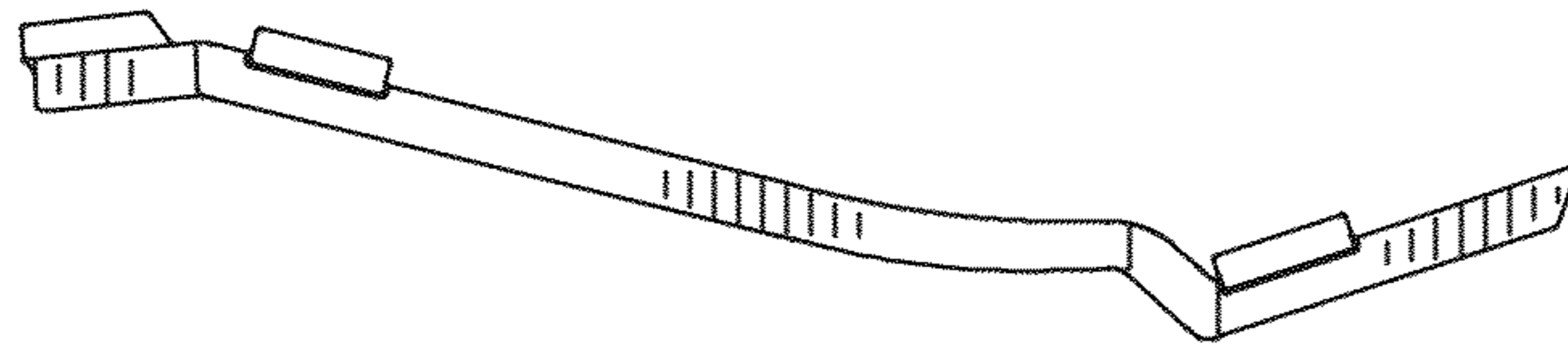


FIG 3

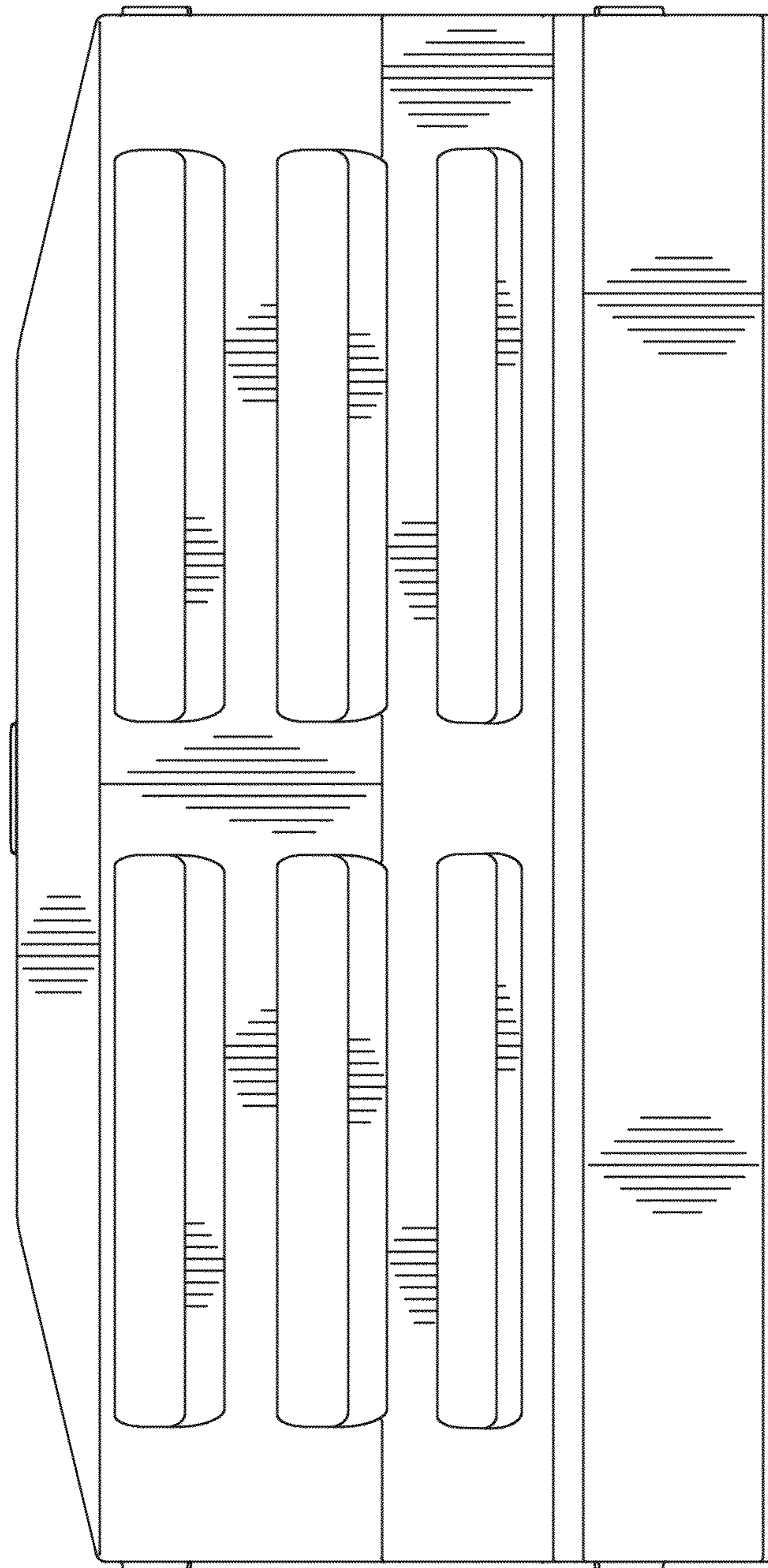


FIG 2

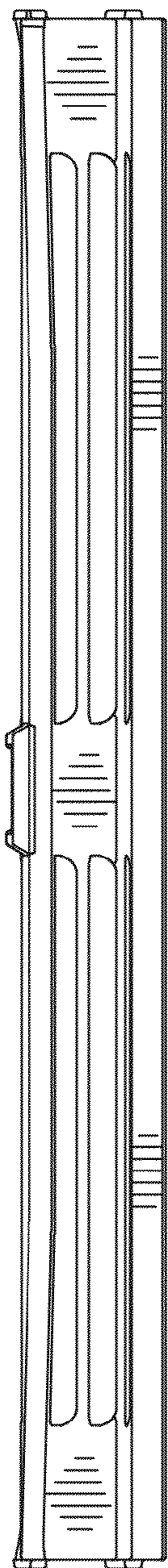


FIG 4

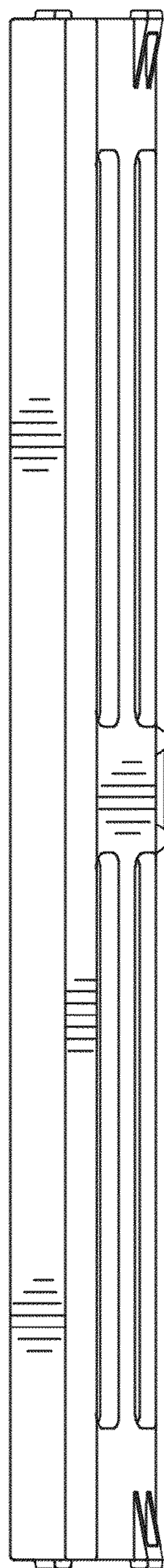


FIG 5