

US00D725338S

(12) **United States Design Patent**
Pulskamp et al.

(10) **Patent No.:** **US D725,338 S**
(45) **Date of Patent:** **** Mar. 24, 2015**

(54) **PALLET TRUCK**

(71) Applicants: **Steven R. Pulskamp**, New Bremen, OH (US); **Daniel C. Magoto**, Russia, OH (US); **Daniel W. Kahlig**, Fort Recovery, OH (US); **Benjamin J. Purrenhage**, Kalamazoo, MI (US); **Kyle S. Spieker**, Grand Rapids, MI (US); **Justin L. Benacquisto**, Caledonia, MI (US)

(72) Inventors: **Steven R. Pulskamp**, New Bremen, OH (US); **Daniel C. Magoto**, Russia, OH (US); **Daniel W. Kahlig**, Fort Recovery, OH (US); **Benjamin J. Purrenhage**, Kalamazoo, MI (US); **Kyle S. Spieker**, Grand Rapids, MI (US); **Justin L. Benacquisto**, Caledonia, MI (US)

(73) Assignee: **Crown Equipment Corporation**, New Bremen, OH (US)

(**) Term: **14 Years**

(21) Appl. No.: **29/464,242**

(22) Filed: **Aug. 14, 2013**

(51) **LOC (10) Cl.** **12-05**

(52) **U.S. Cl.**
USPC **D34/34**

(58) **Field of Classification Search**
USPC D34/34; 180/89.12, 299, 325;
280/43.12; 187/222, 224
See application file for complete search history.

(56) **References Cited**

U.S. PATENT DOCUMENTS

D135,400	S	*	3/1943	Funk	D34/34
D310,895	S	*	9/1990	Iwaki	D34/26
D492,833	S	*	7/2004	Henshaw et al.	D34/34
6,820,879	B1	*	11/2004	Butterfield	280/47.26
D623,820	S	*	9/2010	Masalin et al.	D34/34

D625,074	S	*	10/2010	Knie	D34/34
D640,031	S	*	6/2011	Kretschmer	D34/34
D655,064	S	*	2/2012	Knie	D34/34
8,282,111	B2		10/2012	Hailston et al.		
D709,664	S	*	7/2014	Plummer	D34/26
2012/0319063	A1		12/2012	Hailston et al.		

* cited by examiner

Primary Examiner — Cynthia Ramirez

(74) *Attorney, Agent, or Firm* — Stevens & Showalter, LLP

(57) **CLAIM**

The ornamental design for a pallet truck, as shown.

DESCRIPTION

FIG. 1 is a perspective view of the pallet truck taken from the upper left front thereof;

FIG. 2 is a perspective view of the pallet truck taken from the upper right rear thereof;

FIG. 3 is a left side elevational view thereof;

FIG. 4 is a right side elevational view thereof;

FIG. 5 is a top view thereof;

FIG. 6 is a bottom view thereof;

FIG. 7 is a rear view thereof;

FIG. 8 is a front view thereof;

FIG. 9 is a perspective view of the pallet truck taken from the upper left front thereof with a deck/carriage weldment shown in a raised position;

FIG. 10 is a perspective view of the pallet truck taken from the upper right rear thereof with the deck/carriage weldment shown in a raised position;

FIG. 11 is a left side elevational view thereof with the deck/carriage weldment shown in a raised position;

FIG. 12 is a right side elevational view thereof with the deck/carriage weldment shown in a raised position;

FIG. 13 is a back view thereof with the deck/carriage weldment shown in a raised position; and,

FIG. 14 is a front view thereof with the deck/carriage weldment shown in a raised position.

1 Claim, 11 Drawing Sheets

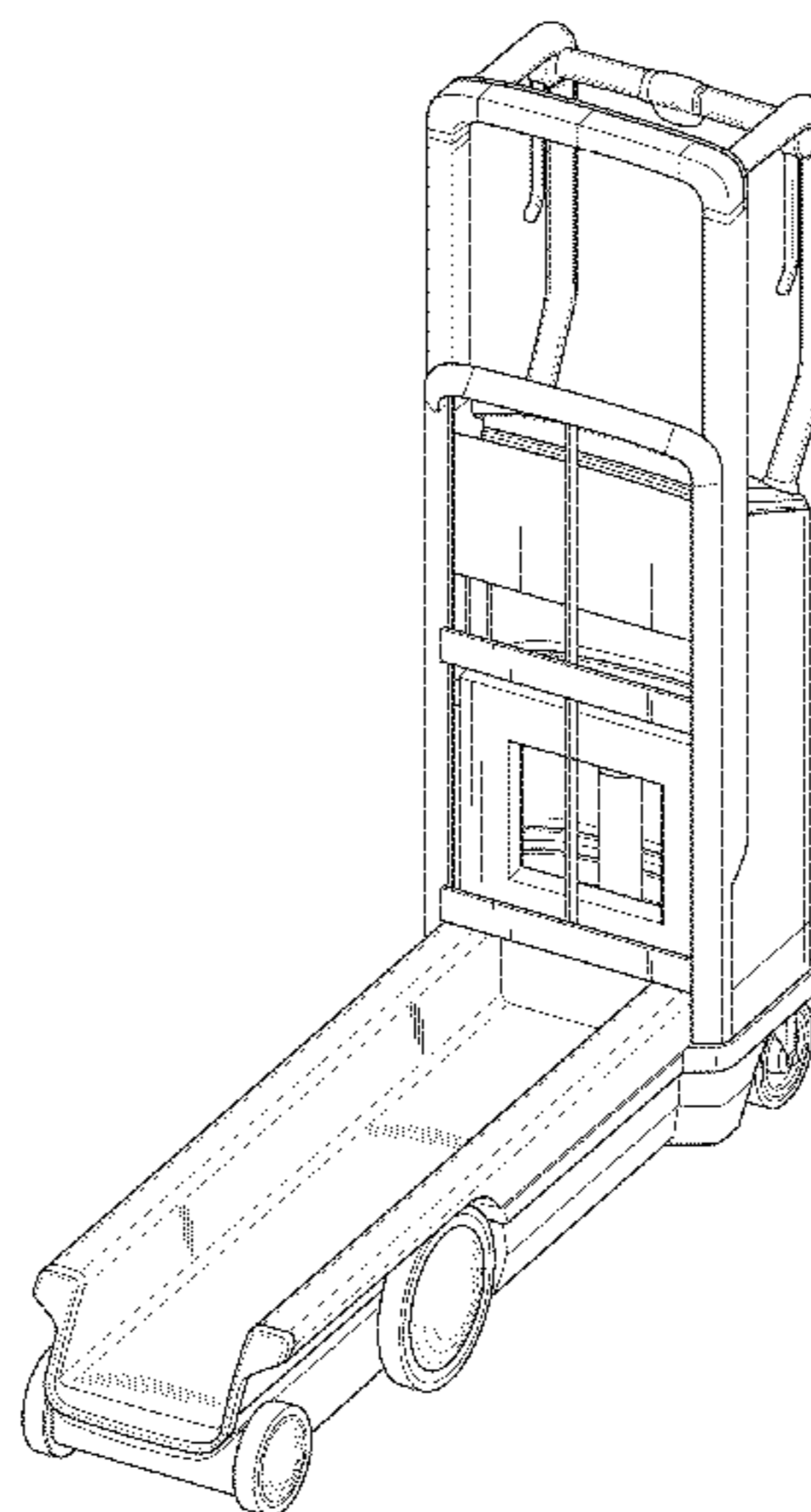


FIG. 1

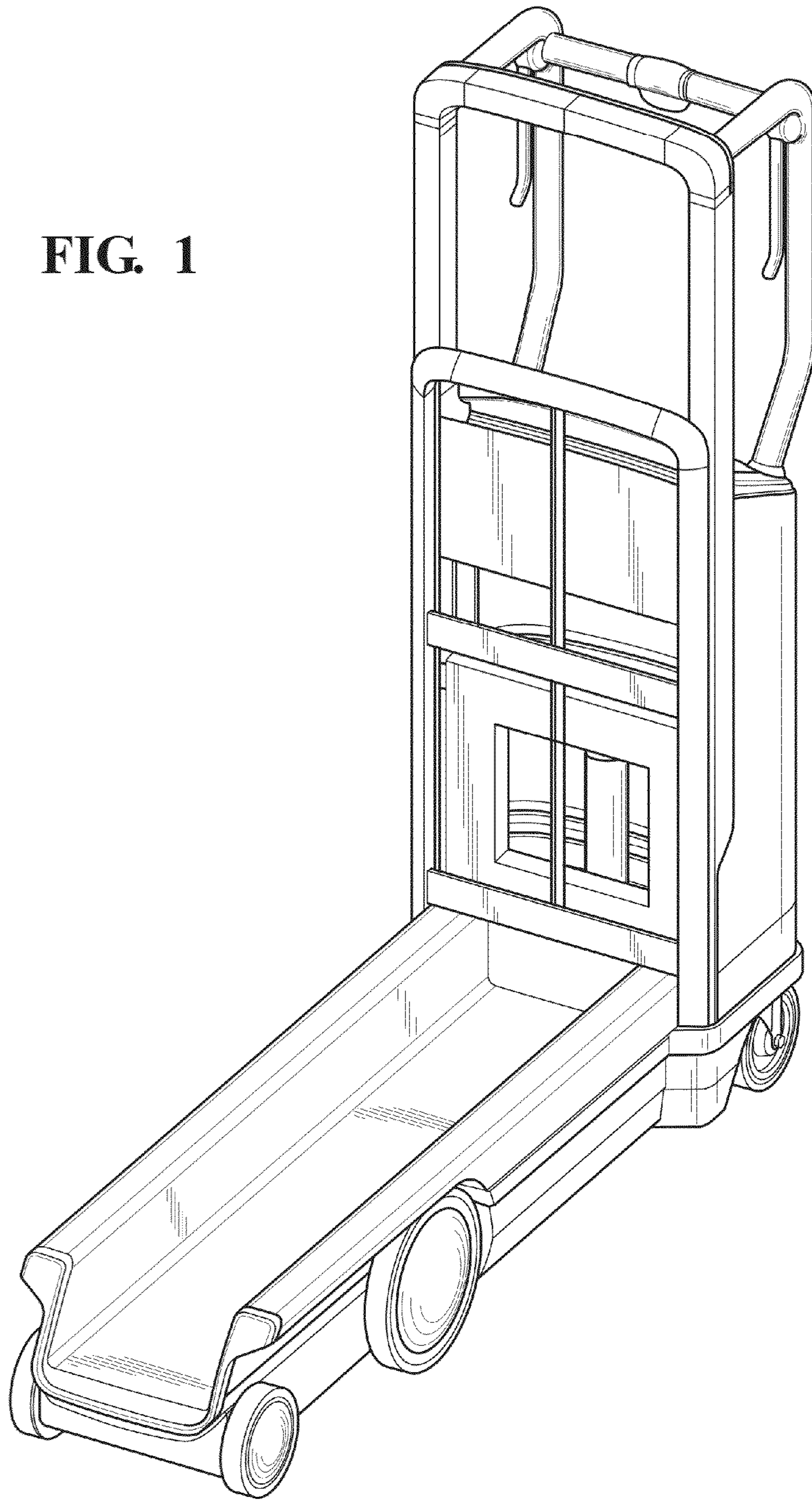
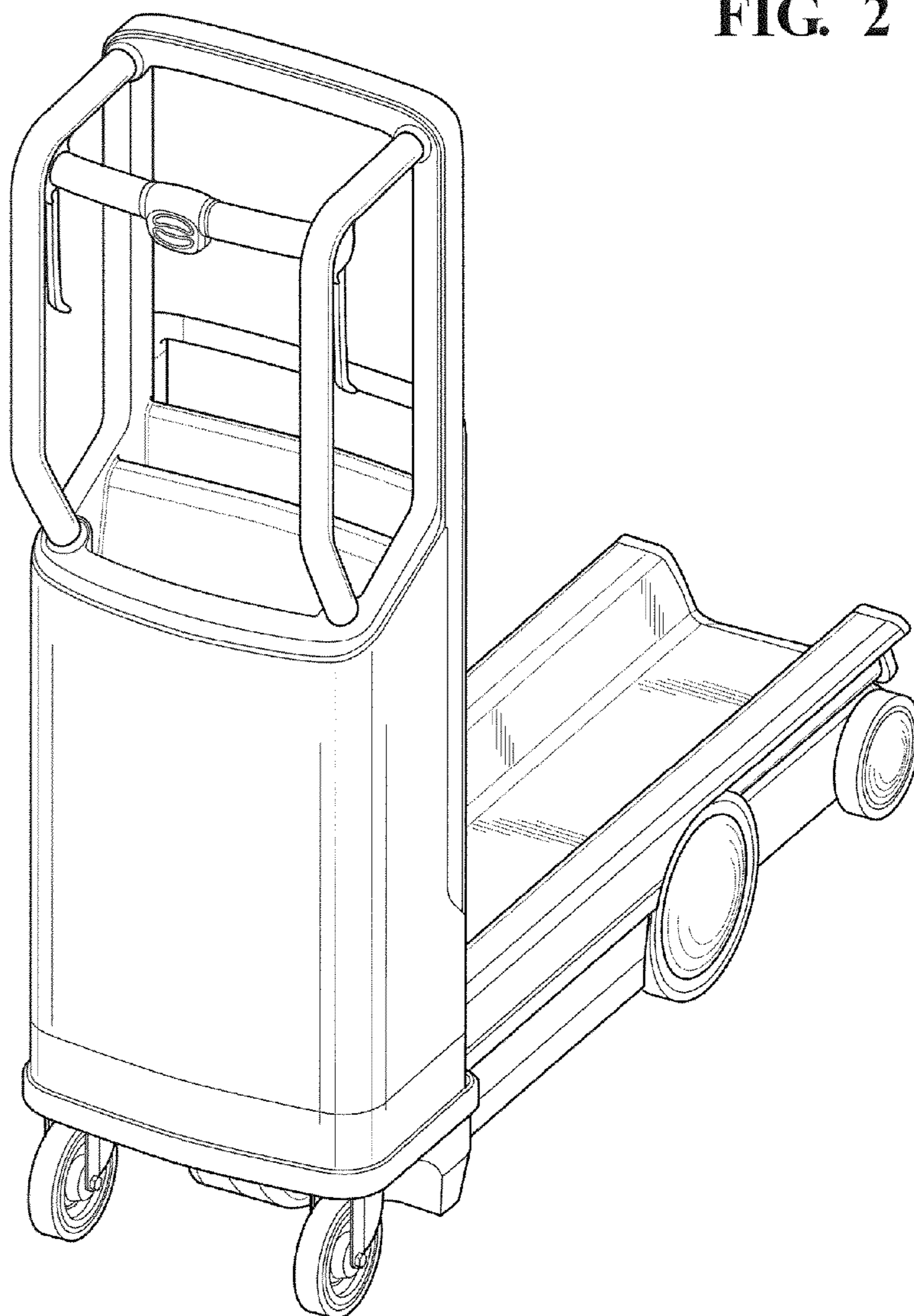


FIG. 2



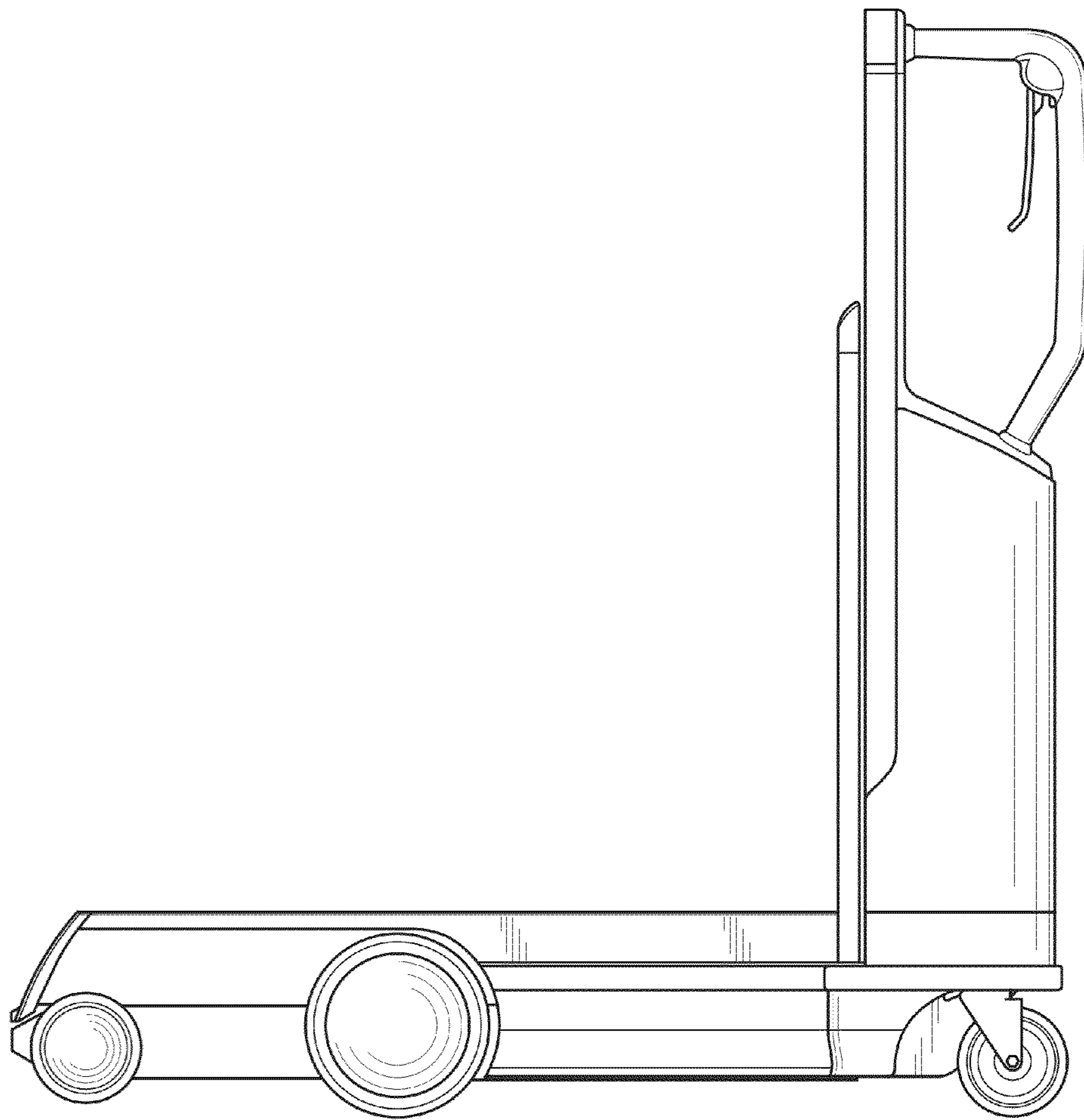


FIG. 3

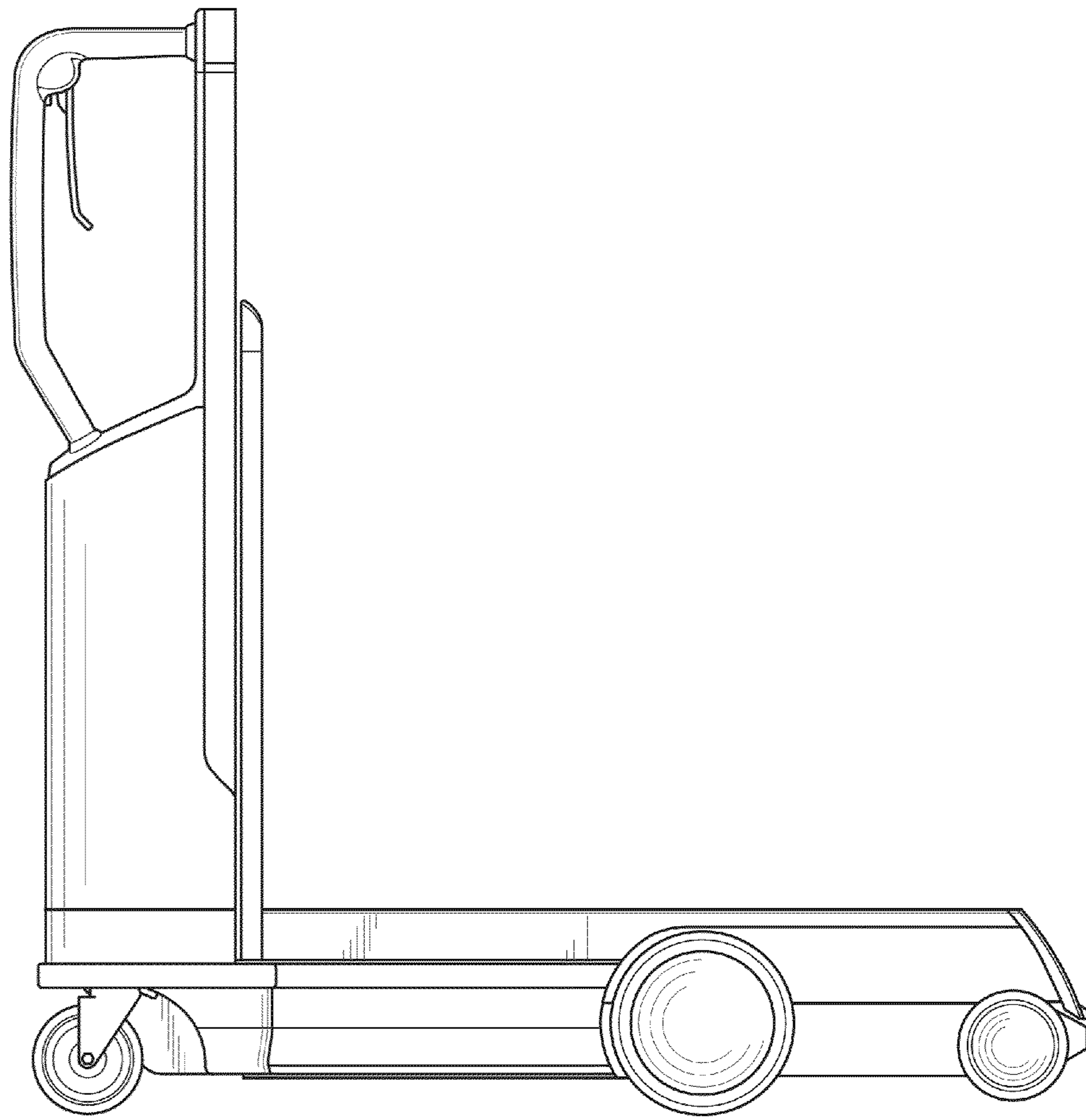


FIG. 4

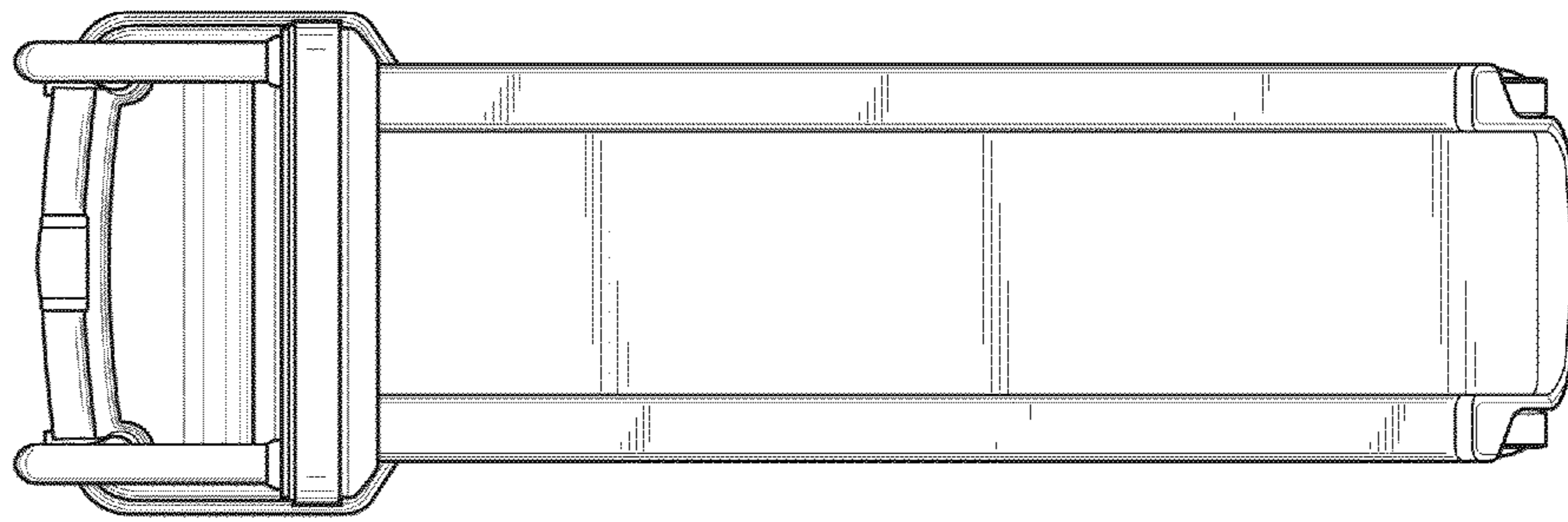


FIG. 5

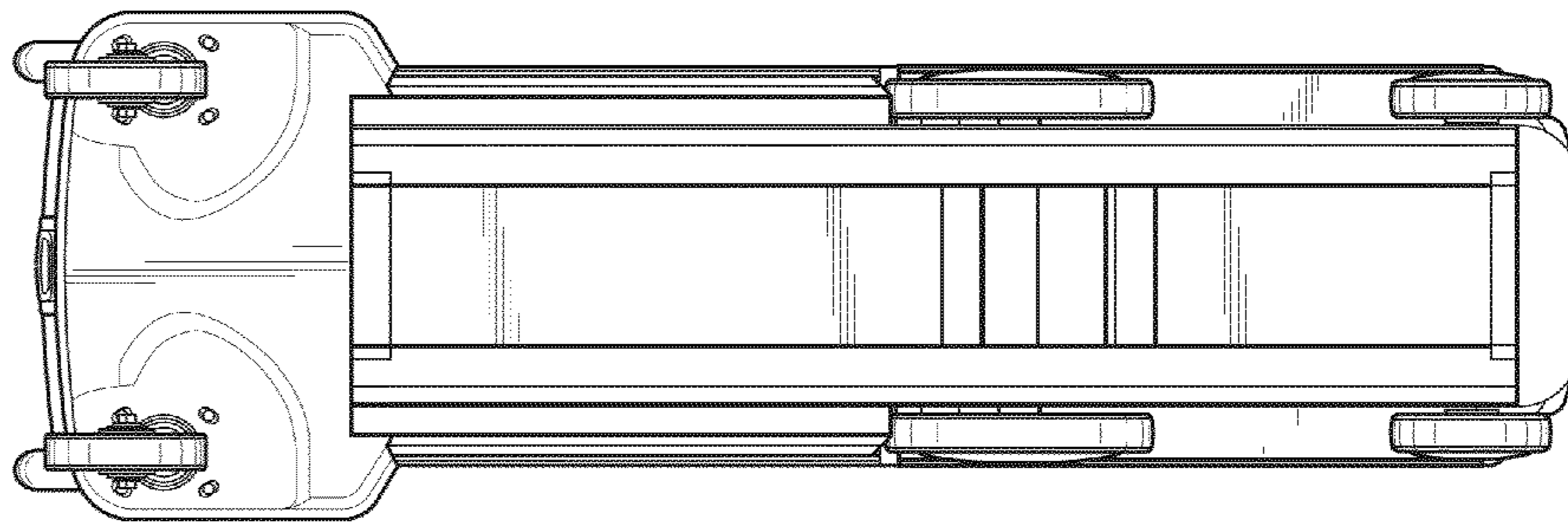


FIG. 6

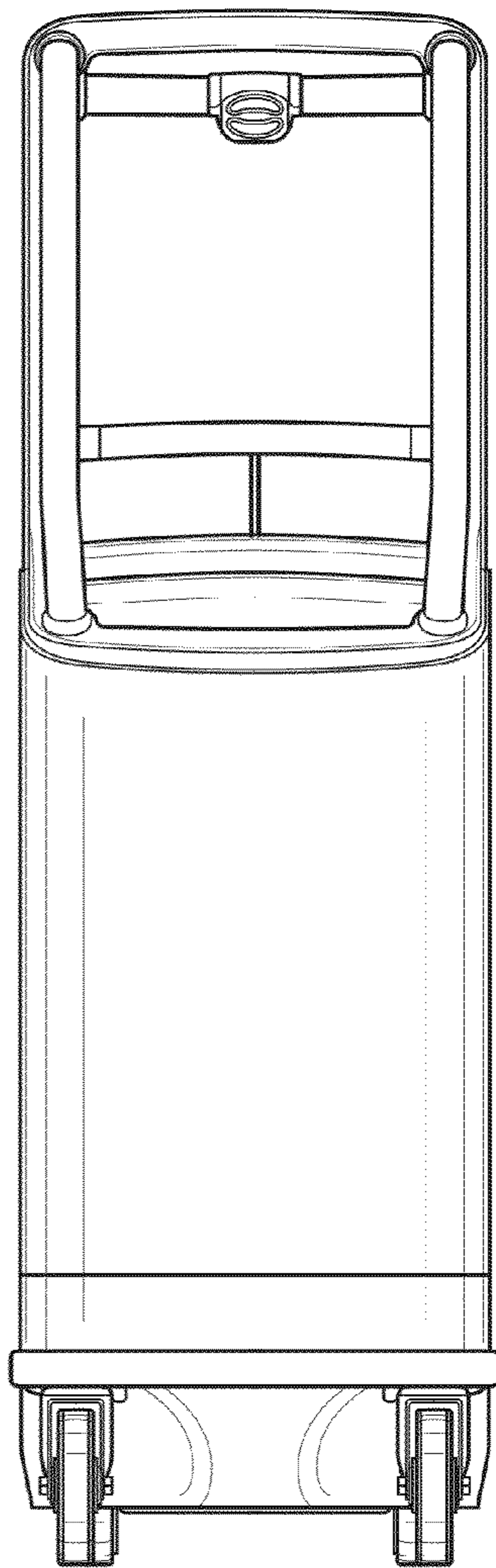


FIG. 7

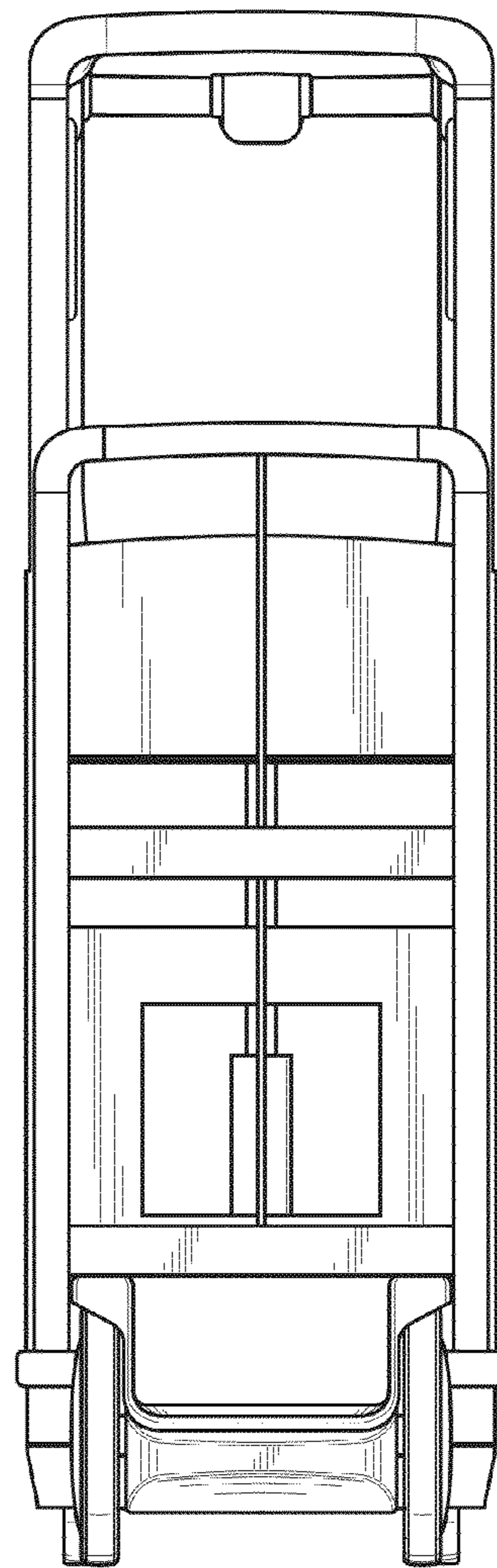


FIG. 8

FIG. 9

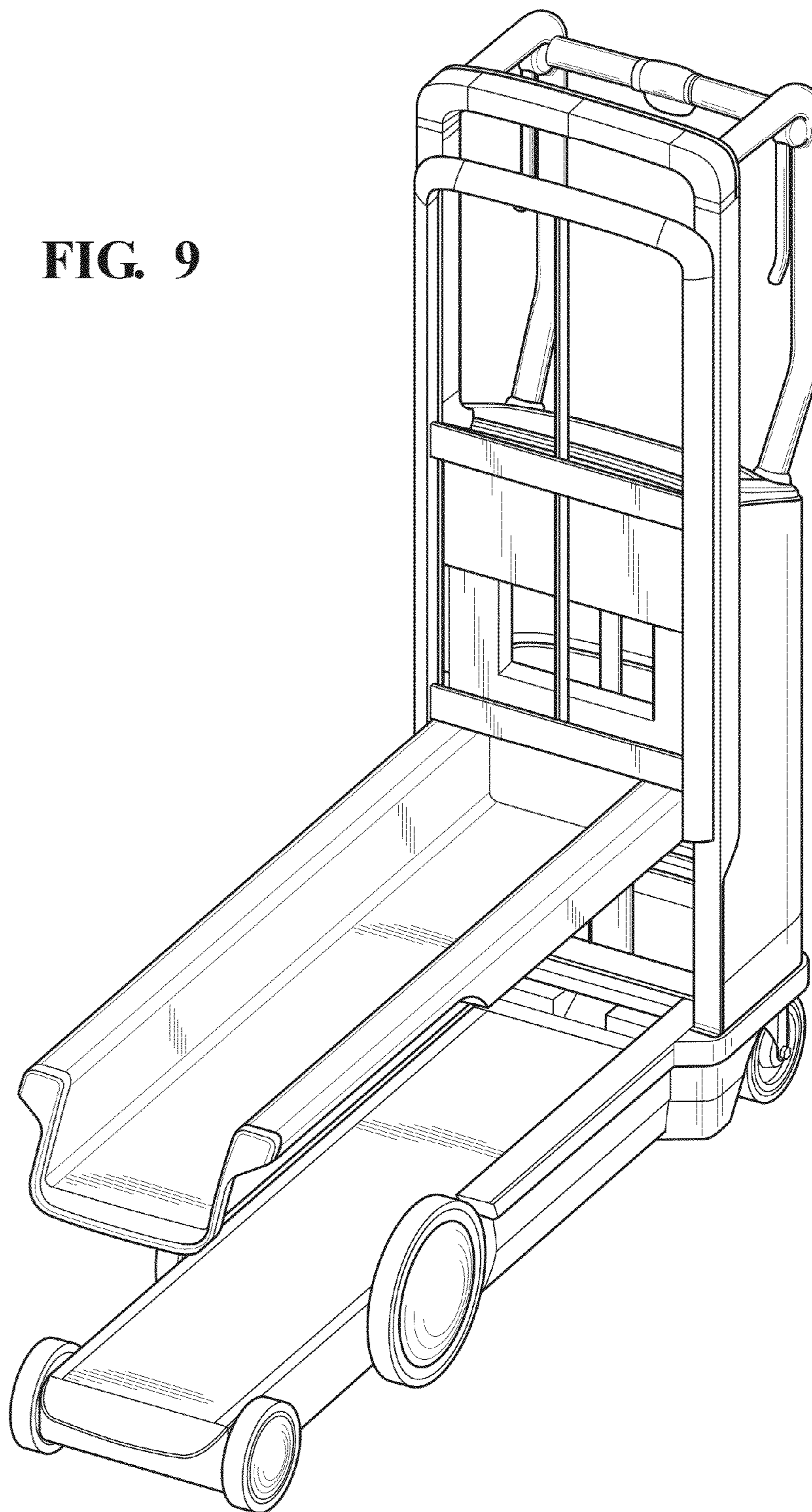
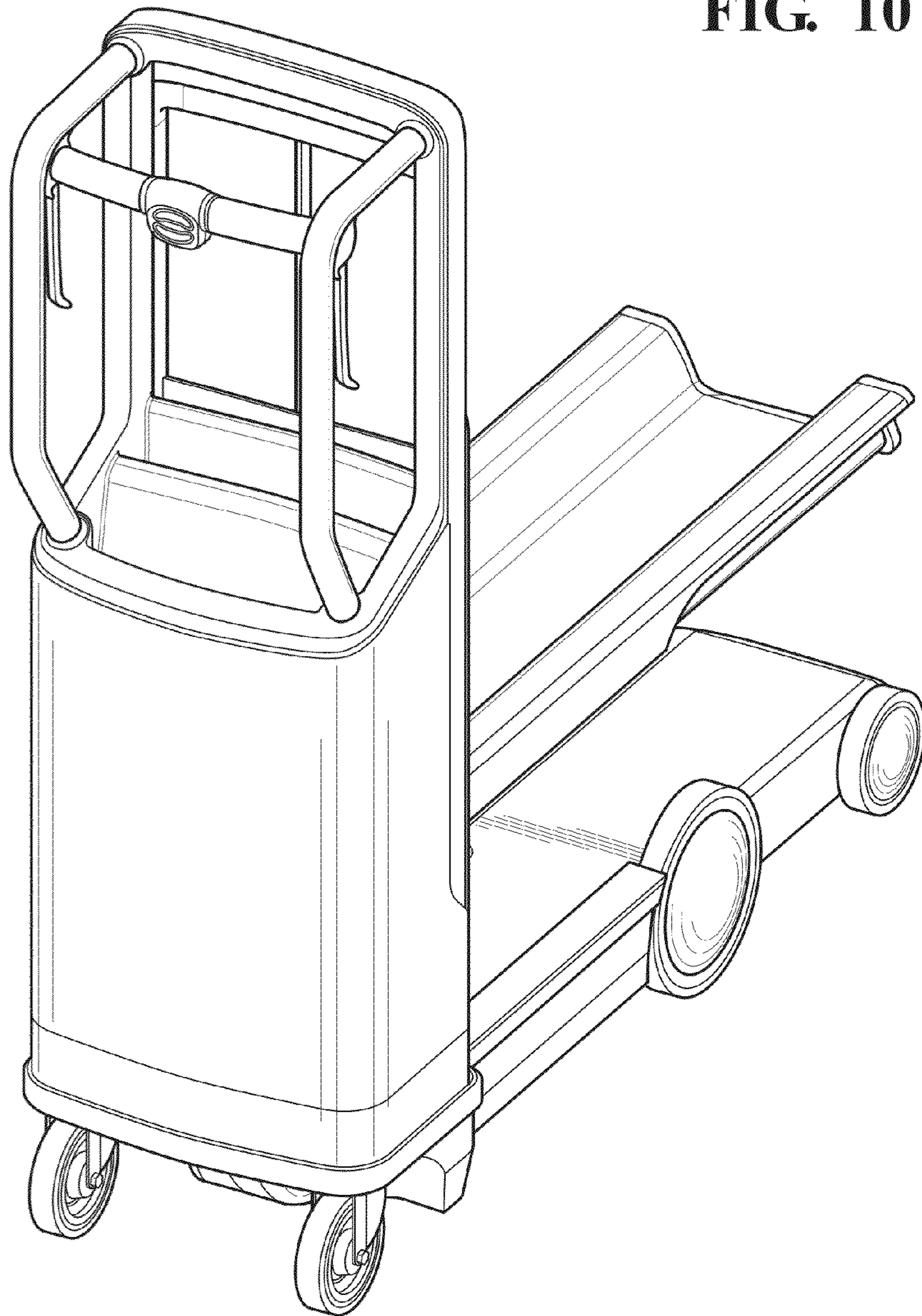


FIG. 10



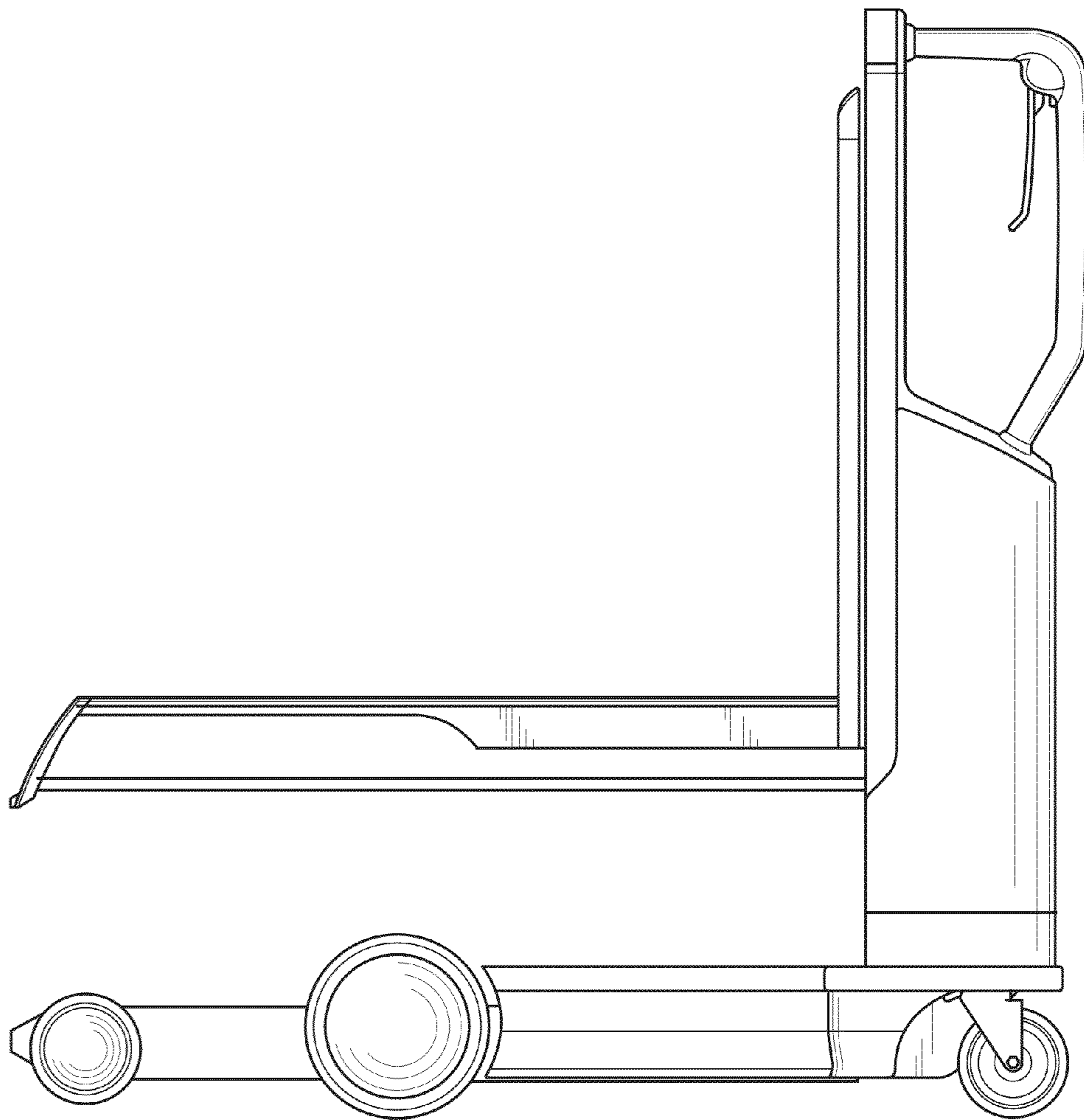


FIG. 11

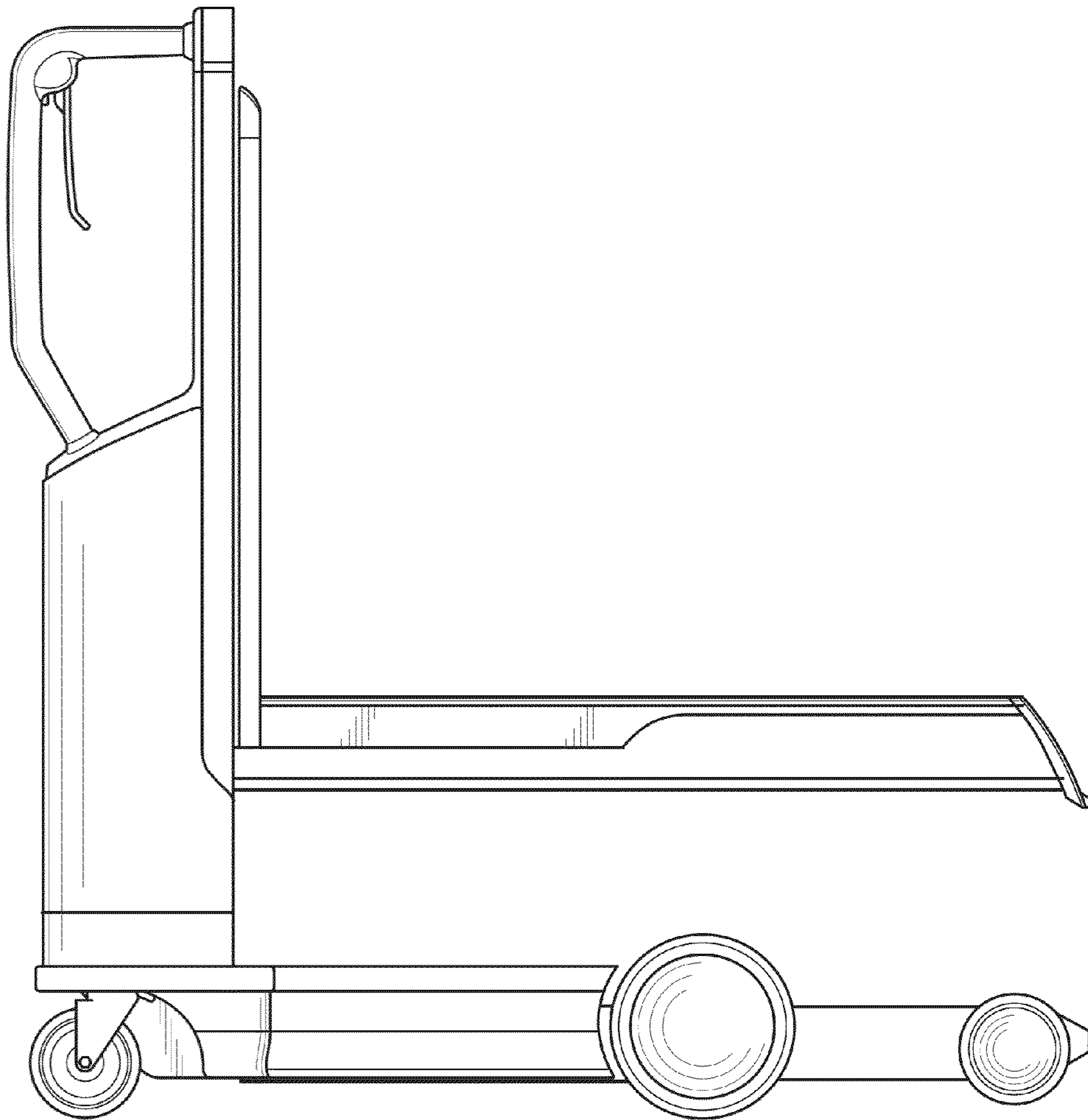


FIG. 12

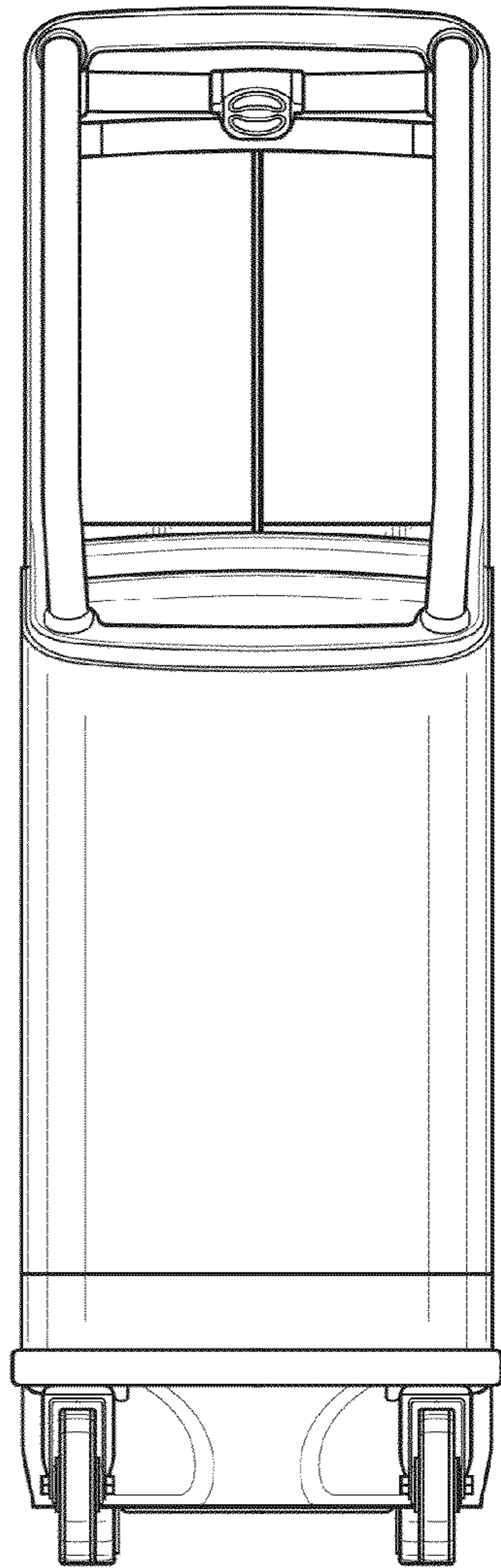


FIG. 13

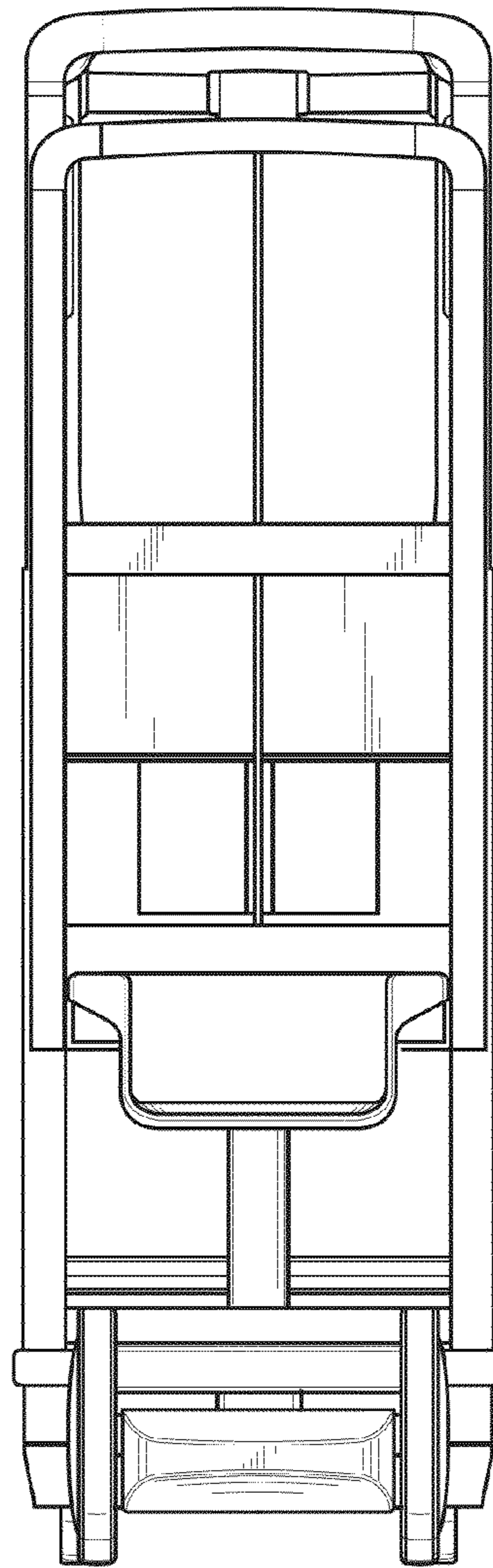


FIG. 14

UNITED STATES PATENT AND TRADEMARK OFFICE
CERTIFICATE OF CORRECTION

PATENT NO. : D725,338 S
APPLICATION NO. : 29/464242
DATED : March 24, 2015
INVENTOR(S) : Steven R. Pulskamp et al.

Page 1 of 1

It is certified that error appears in the above-identified patent and that said Letters Patent is hereby corrected as shown below:

Title Page, Item (72) Inventors, should read

--Steven R. Pulskamp, New Bremen, OH (US);
Daniel C. Magoto, Russia, OH (US);
Daniel W. Kahlig, Fort Recovery, OH (US);
Benjamin J. Purrenhage, Kalamazoo, MI (US);
Kyle S. Spieker, Grand Rapids, MI (US);
Justin L. Benacquisto, Caledonia, MI (US);
Rainer B. Teufel, Worthington, OH (US);
Jeffrey T. DeBord, Worthington, OH (US)--

Signed and Sealed this
Twenty-fourth Day of November, 2015



Michelle K. Lee
Director of the United States Patent and Trademark Office