



US00D725333S

(12) **United States Design Patent**
Yun et al.

(10) **Patent No.:** **US D725,333 S**
(45) **Date of Patent:** **** Mar. 24, 2015**

(54) **HOME APPLIANCE**

(71) Applicant: **Samsung Electronics Co., Ltd.**,
Suwon-si (KR)
(72) Inventors: **Deok-Sang Yun**, Ahnsan-Si (KR);
Yeon-Young Nam, Goyang-Si (KR);
Dong-Won Chun, Paju-Si (KR)
(73) Assignee: **Samsung Electronics Co., Ltd.**,
Suwon-si (KR)

(**) Term: **14 Years**

(21) Appl. No.: **29/479,838**

(22) Filed: **Jan. 21, 2014**

(30) **Foreign Application Priority Data**

Oct. 22, 2013 (KR) 30-2013-0053207

(51) **LOC (10) Cl.** **15-05**

(52) **U.S. Cl.**
USPC **D32/31**

(58) **Field of Classification Search**
CPC A47L 7/0038; A47L 5/36-5/367;
A47L 5/24; A47L 5/14; A47L 5/28; A47L
7/0019; A47L 7/0023; A47L 7/0004; A47L
9/1666; A47L 9/1683; A47L 11/34; A47L
11/4072; A47L 9/009; A47L 11/40
USPC 301/95.101, 105.1, 5.1; D12/501, 204,
D12/208; D32/21, 23-24, 31
See application file for complete search history.

(56) **References Cited**

U.S. PATENT DOCUMENTS

D553,311 S	*	10/2007	Shin	D32/21
D553,812 S	*	10/2007	Shin	D32/21
D580,608 S	*	11/2008	Santiago et al.	D32/21
D620,654 S	*	7/2010	Kim	D32/21
D621,107 S	*	8/2010	Kim et al.	D32/21

* cited by examiner

Primary Examiner — Ruth McInroy

(74) *Attorney, Agent, or Firm* — NSIP Law

(57) **CLAIM**

We claim the ornamental design for a home appliance, as shown and described.

DESCRIPTION

FIG. 1 is a front perspective view of a home appliance showing our new design;
FIG. 2 is a front view thereof;
FIG. 3 is a rear view thereof;
FIG. 4 is a left-side view thereof;
FIG. 5 is a right-side view thereof;
FIG. 6 is a top view thereof; and,
FIG. 7 is a bottom view thereof.
The broken lines are for illustrative purposes only and form no part of the claimed design.

1 Claim, 7 Drawing Sheets

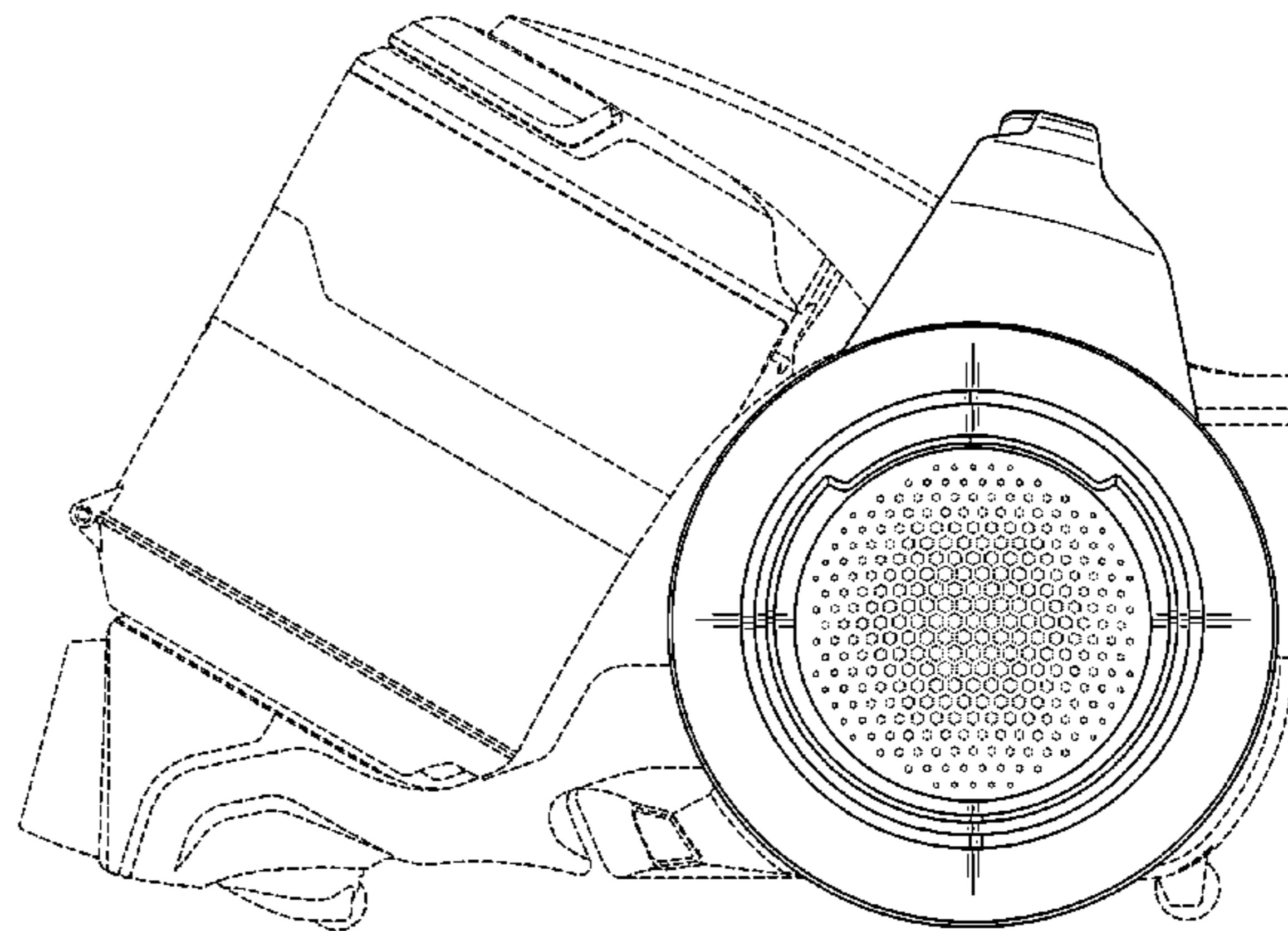
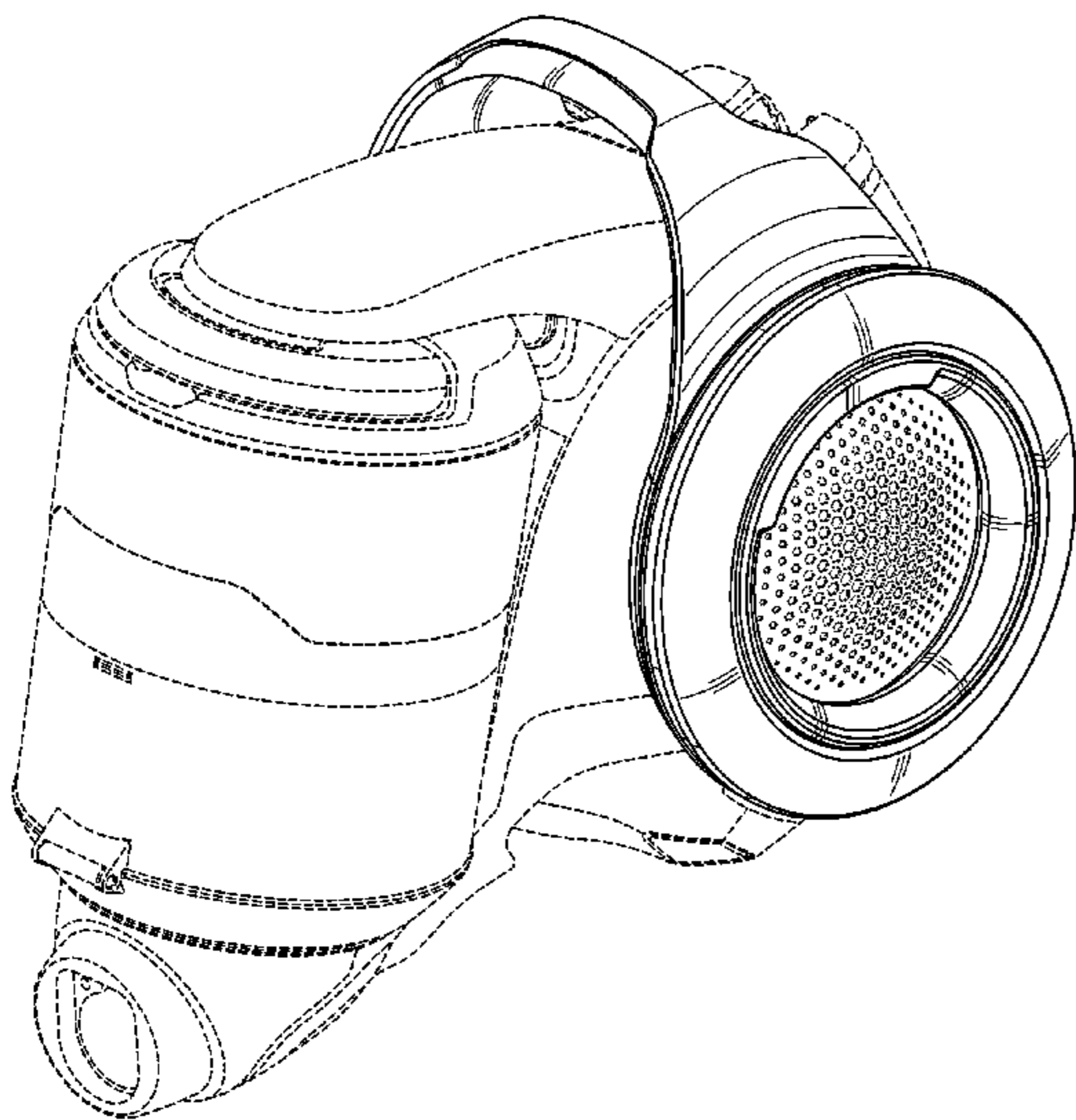


FIG. 1

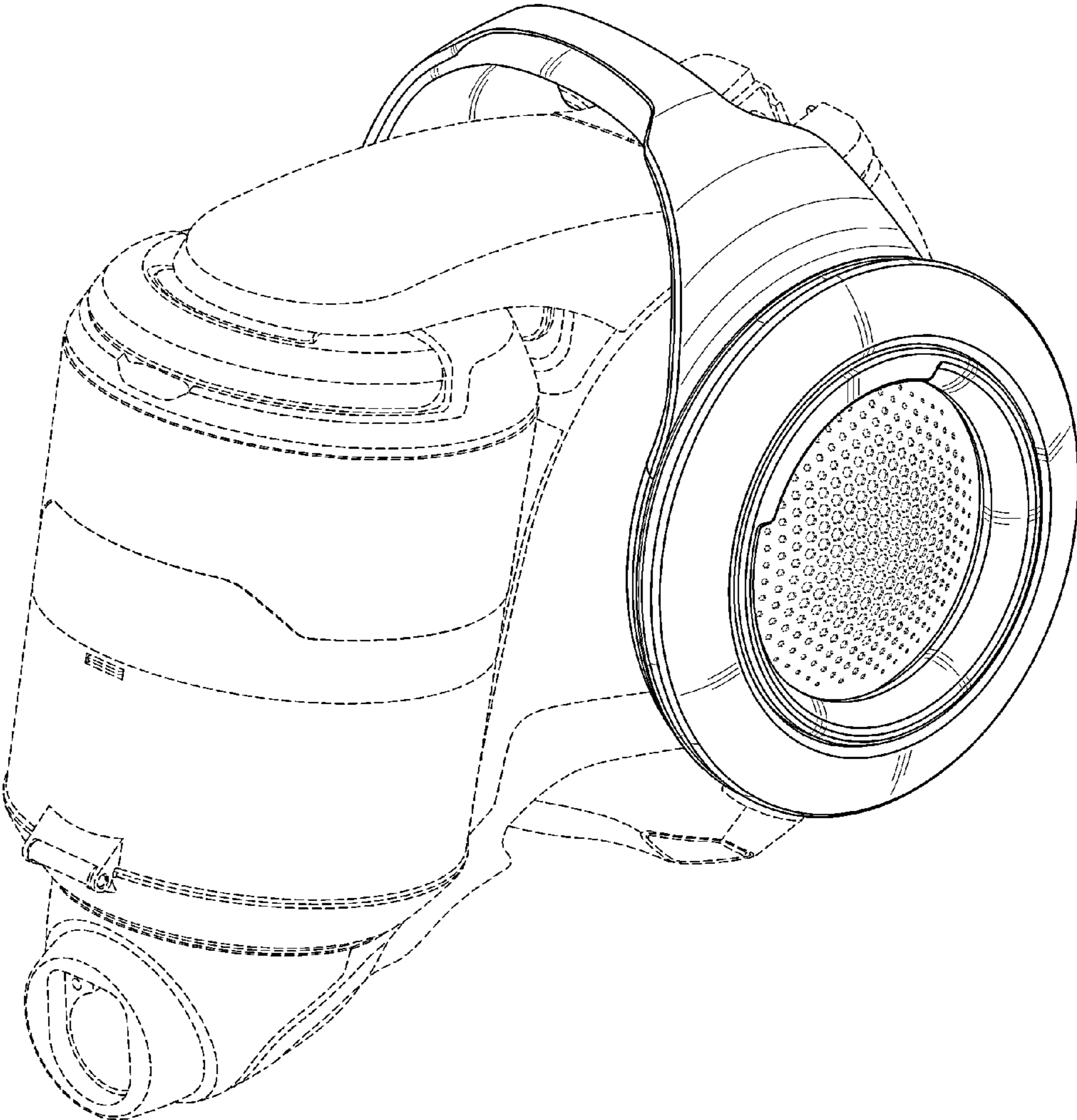


FIG. 2

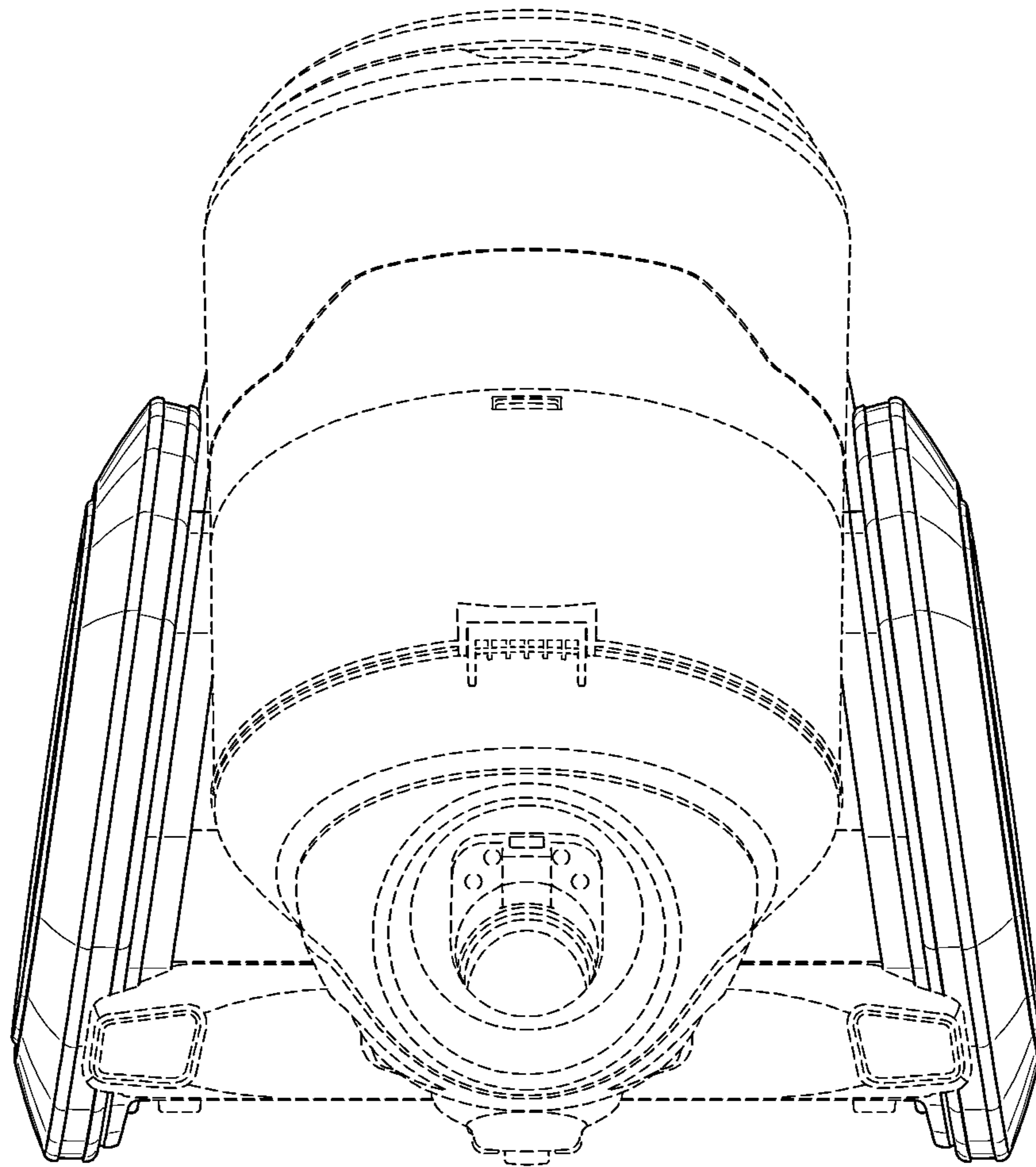


FIG. 3

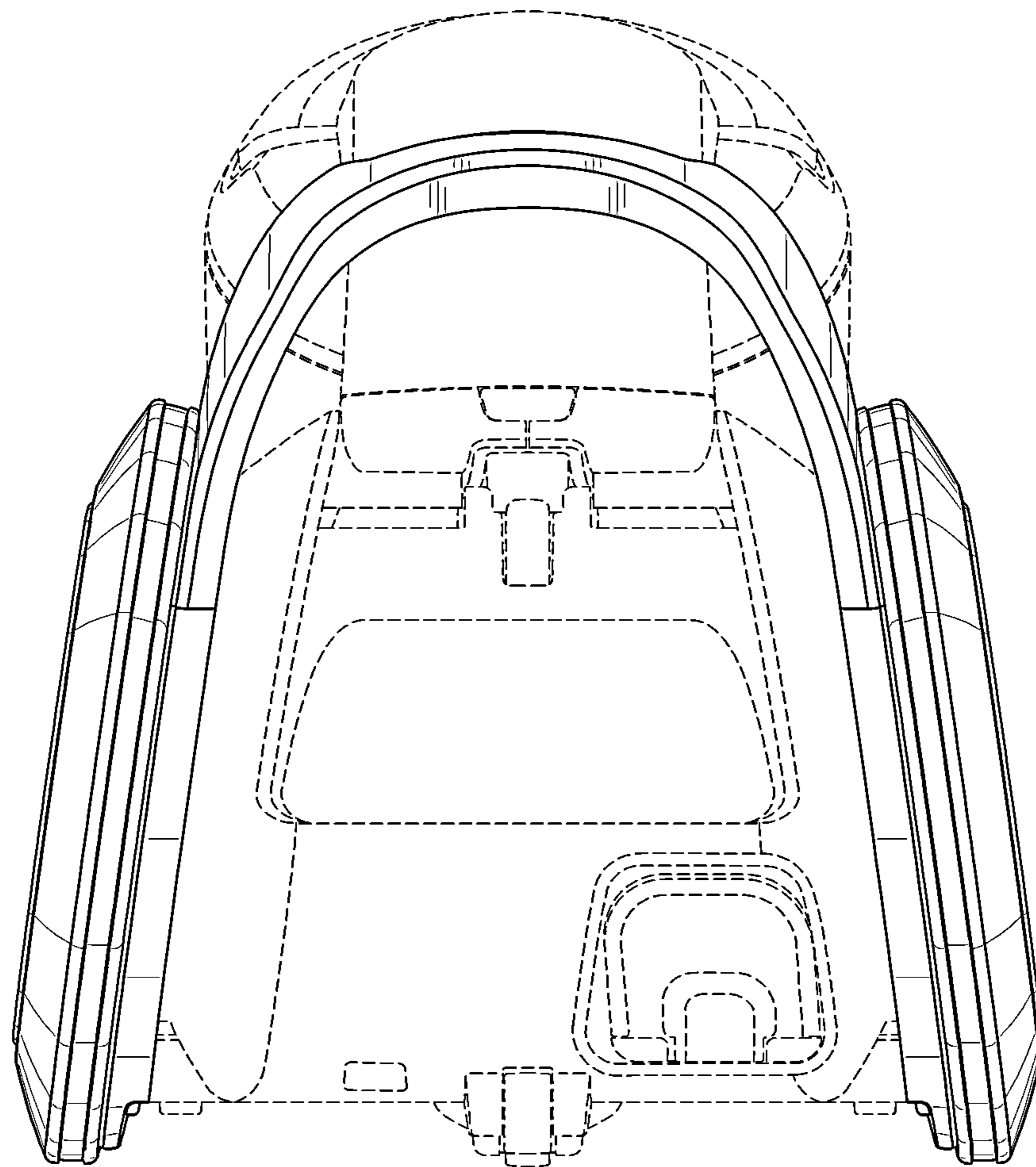


FIG. 4

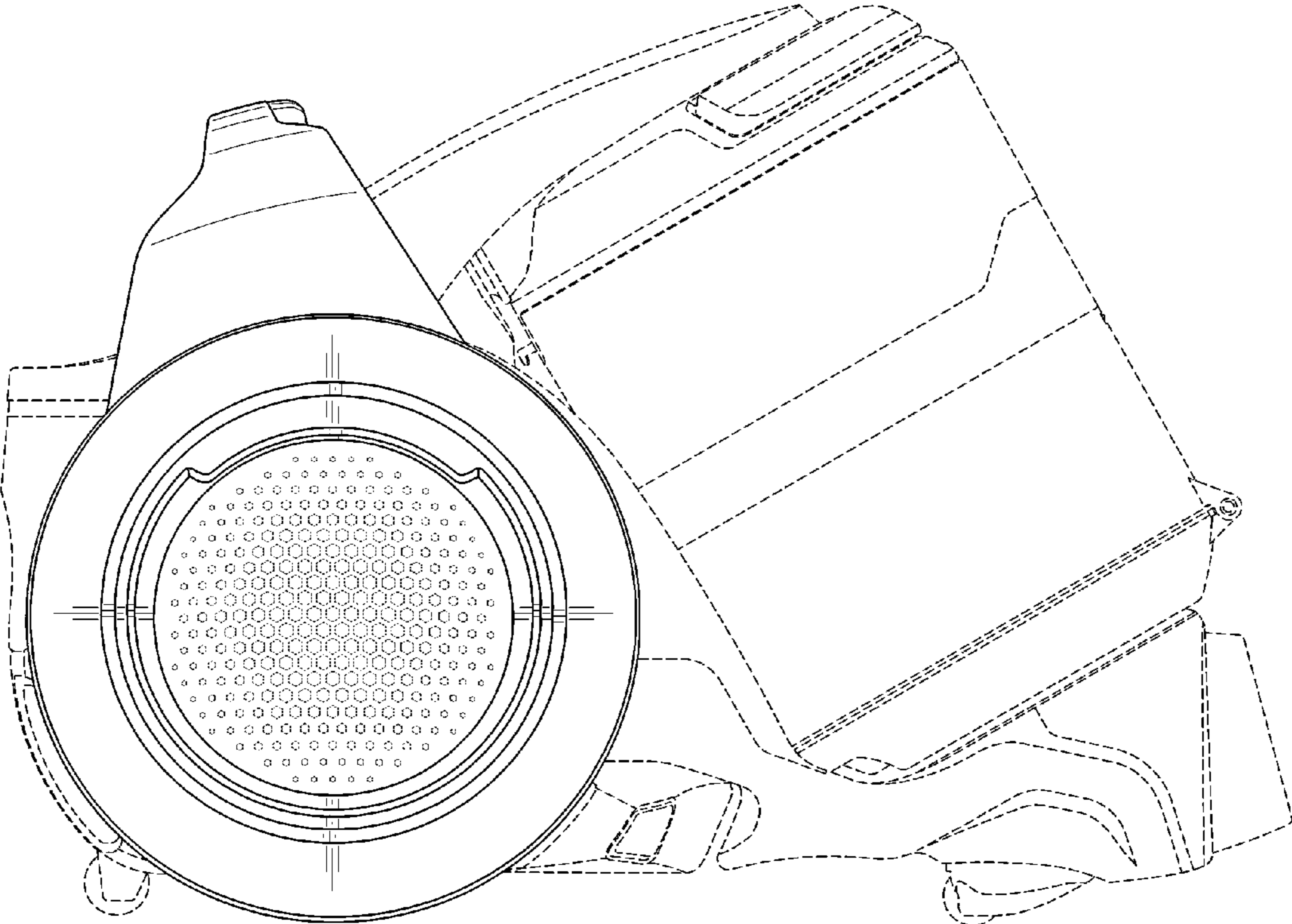


FIG. 5

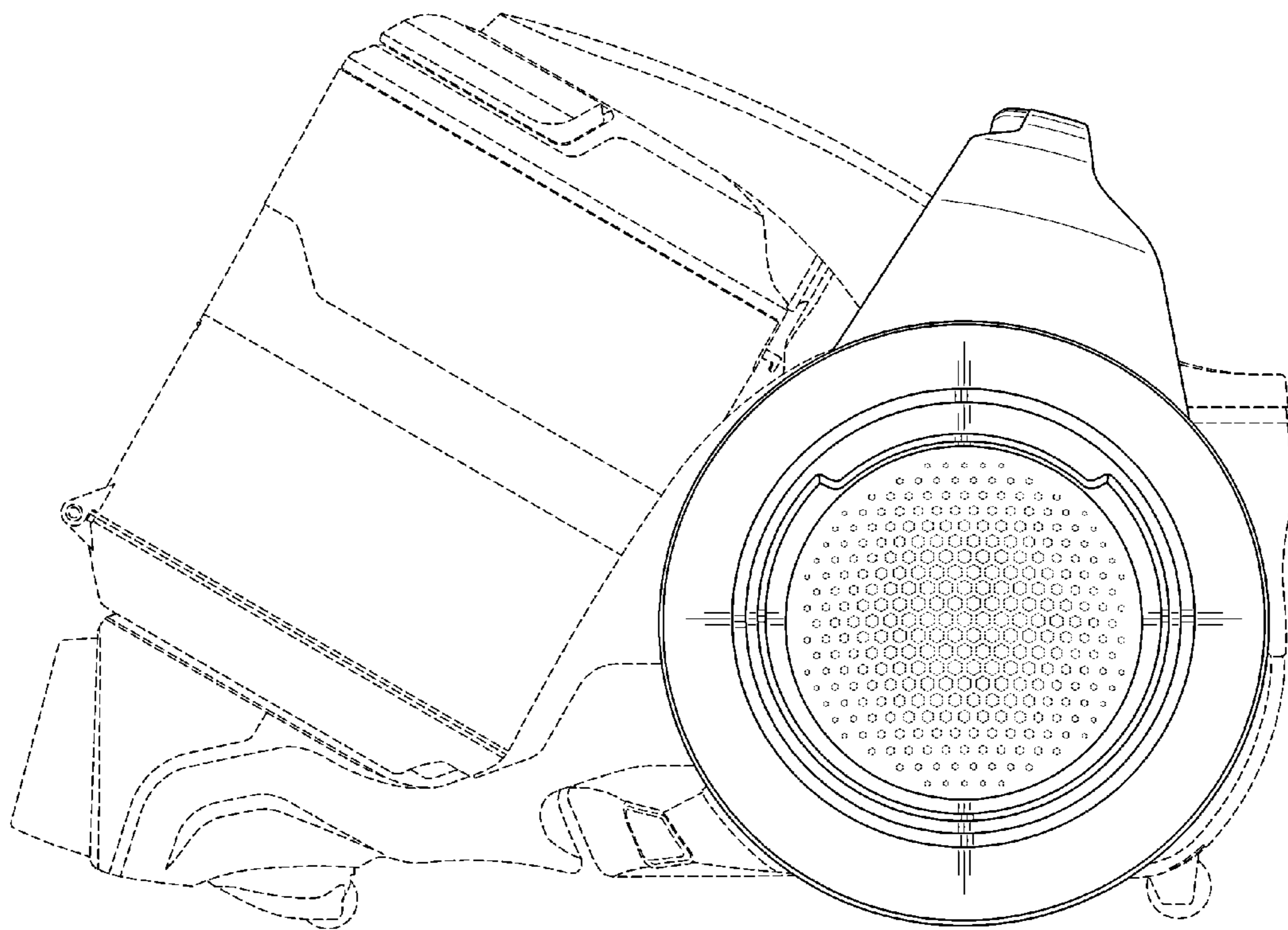


FIG. 6

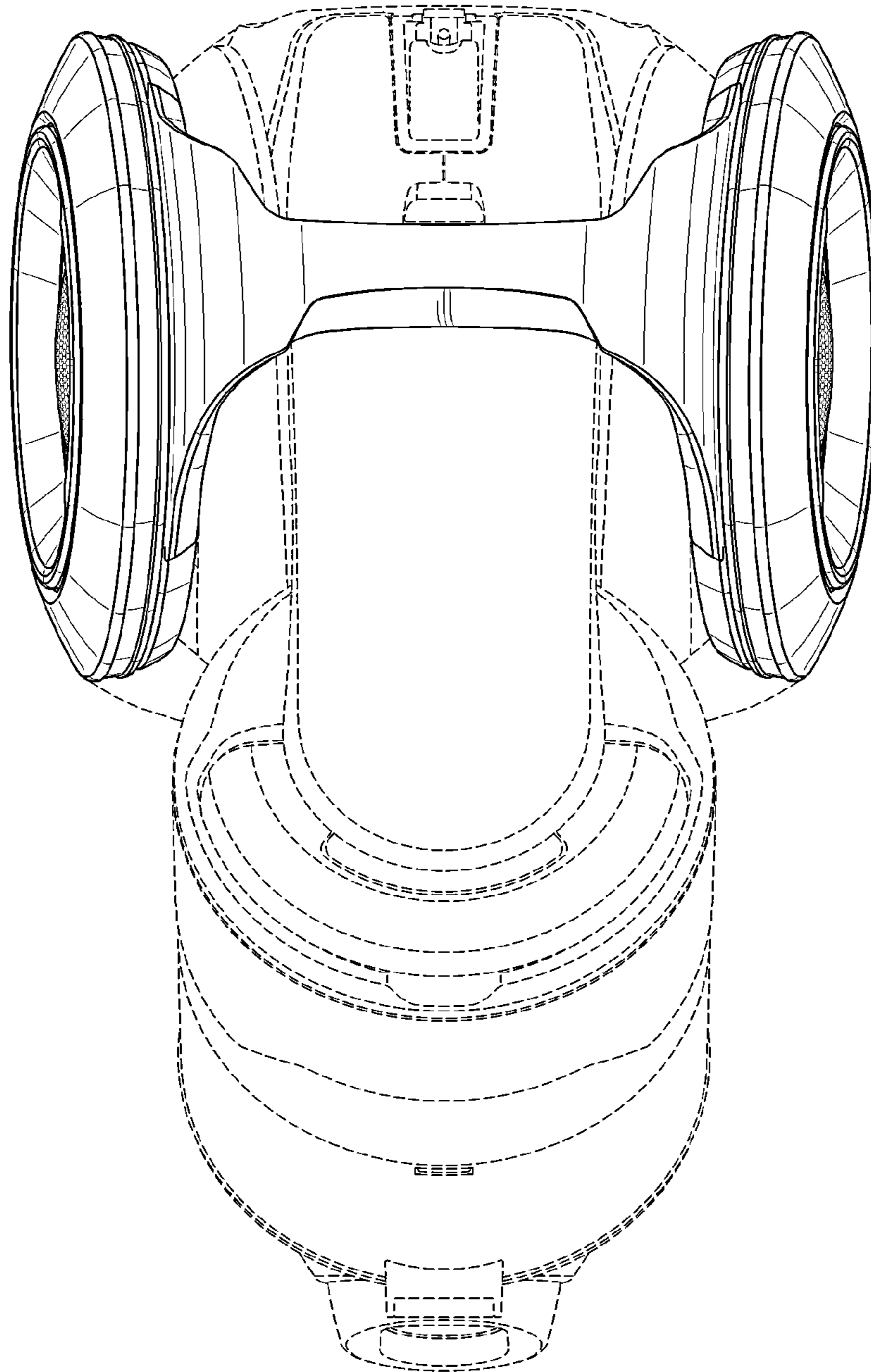


FIG. 7

