



US00D725331S

(12) **United States Design Patent**
Springell et al.

(10) **Patent No.:** **US D725,331 S**
(45) **Date of Patent:** **** Mar. 24, 2015**

(54) **VACUUM CLEANER**

(71) Applicant: **Techtronic Industries Co. Ltd.**, Tsuen Wan, New Territories (HK)

(72) Inventors: **Ryan Springell**, Bedfordshire (GB);
Simon Pougher, Cheshire (GB);
Daragh Manning, Birmingham (GB)

(73) Assignee: **Techtronic Industries Co. Ltd.**, Tsuen Wan, New Territories (HK)

(**) Term: **14 Years**

(21) Appl. No.: **29/493,406**

(22) Filed: **Jun. 9, 2014**

Related U.S. Application Data

(63) Continuation-in-part of application No. 29/471,498, filed on Nov. 1, 2013.

(30) **Foreign Application Priority Data**

May 3, 2013 (CN) 2013 3 0154939
Dec. 9, 2013 (CN) 2013 3 0609751

(51) **LOC (10) Cl.** **15-05**

(52) **U.S. Cl.**
USPC **D32/21**

(58) **Field of Classification Search**

CPC A47L 7/0038; A47L 5/36-5/367;
A47L 5/24; A47L 5/14; A47L 5/28; A47L
7/0019; A47L 7/0023; A47L 7/0004; A47L
9/1666; A47L 9/1683; A47L 11/34; A47L
11/4072; A47L 9/009; A47L 11/40
USPC D32/21, 23-24, 31
See application file for complete search history.

(56) **References Cited**

U.S. PATENT DOCUMENTS

D368,993 S 4/1996 Stutzer et al.
D394,528 S 5/1998 Pochopien et al.
D417,323 S 11/1999 Fujita et al.
D445,226 S * 7/2001 Jupp D32/21
6,484,350 B2 11/2002 Yung
D476,783 S 7/2003 Kondo et al.
D493,586 S 7/2004 Choi
7,000,288 B2 2/2006 Nighy
D518,611 S * 4/2006 Hare D32/21

(Continued)

FOREIGN PATENT DOCUMENTS

EP 1087688 9/2002

OTHER PUBLICATIONS

Co-pending U.S. Appl. No. 29/445,677, filed Feb. 14, 2013.

(Continued)

Primary Examiner — Ruth McInroy

(74) *Attorney, Agent, or Firm* — Michael Best & Friedrich LLP

(57) **CLAIM**

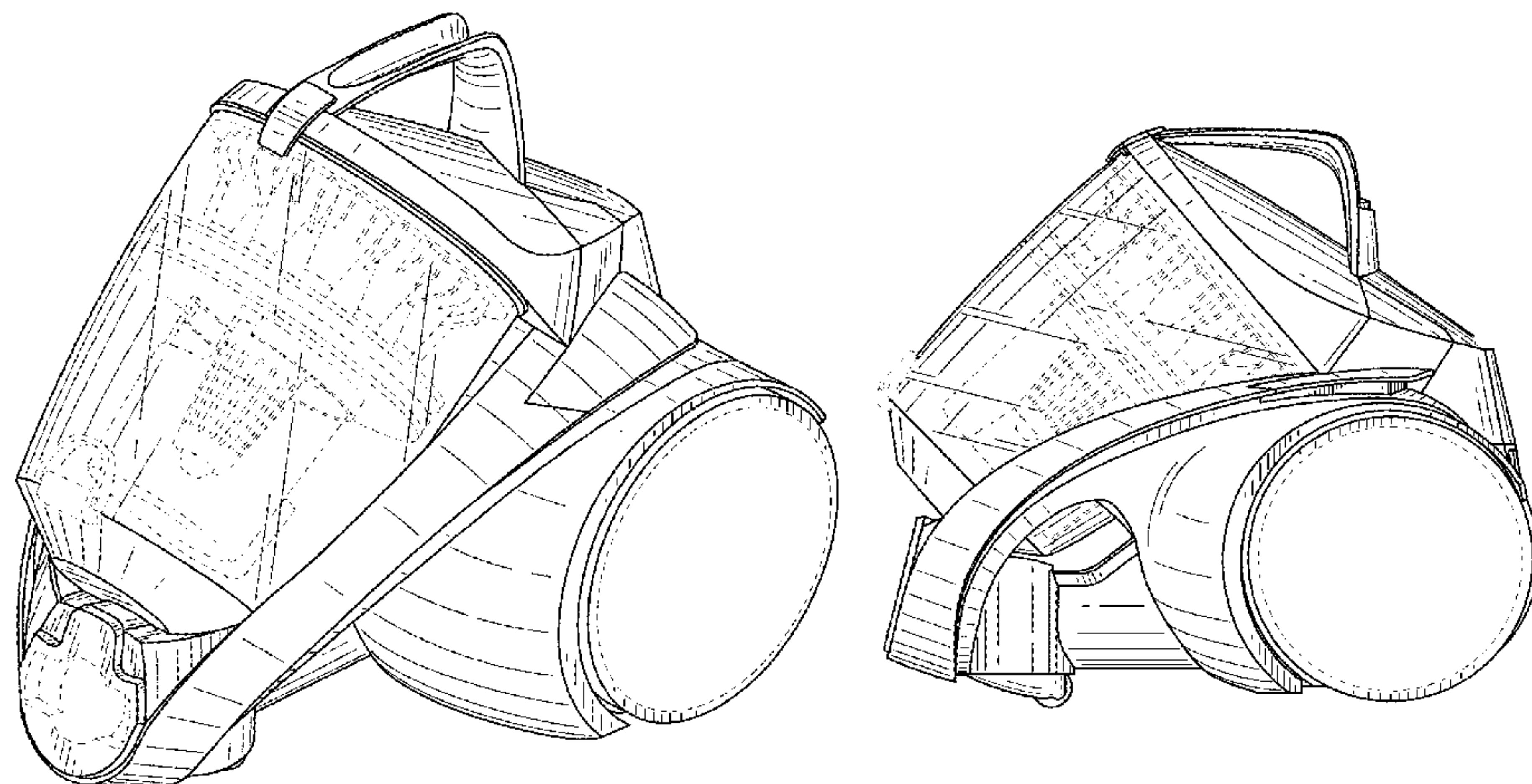
We claim the ornamental design for a vacuum cleaner, as shown and described.

DESCRIPTION

FIG. 1 is a front perspective view of a vacuum cleaner showing our new design;
FIG. 2 is a rear perspective view thereof;
FIG. 3 is a right side view thereof;
FIG. 4 is a left side view thereof;
FIG. 5 is a front view thereof;
FIG. 6 is a rear view thereof;
FIG. 7 is a top view thereof; and,
FIG. 8 is a bottom view thereof.

The elements shown in broken lines are included for the purpose of illustrating environment and form no part of the claimed design.

1 Claim, 5 Drawing Sheets



(56)

References Cited

U.S. PATENT DOCUMENTS

D534,696 S 1/2007 Choi
 D550,908 S 9/2007 Shin
 D550,909 S 9/2007 Shin
 D550,910 S 9/2007 Shin
 D552,310 S * 10/2007 Shin D32/21
 D552,810 S 10/2007 Shin
 D552,811 S 10/2007 Shin
 D553,311 S 10/2007 Shin et al.
 D556,400 S 11/2007 Houghton et al.
 D559,482 S 1/2008 Jansson et al.
 7,380,308 B2 * 6/2008 Oh et al. 15/327.2
 D594,162 S * 6/2009 Knox et al. D32/21
 D600,415 S 9/2009 Svantesson
 D617,963 S 6/2010 Ayers
 D626,709 S 11/2010 Fjellman
 D646,030 S * 9/2011 Carr et al. D32/21
 D646,031 S 9/2011 Carr et al.
 D646,855 S 10/2011 Kim et al.
 D653,823 S 2/2012 Kim et al.
 D657,508 S 4/2012 Dyson et al.

D657,921 S 4/2012 Lee
 D664,316 S 7/2012 Kim
 D680,283 S 4/2013 Renault
 D682,494 S 5/2013 Kim et al.
 D702,901 S * 4/2014 Fjellman D32/21
 D707,407 S * 6/2014 Okabe et al. D32/21
 2002/0069476 A1 6/2002 Yung
 2013/0025086 A1 1/2013 Komae et al.

OTHER PUBLICATIONS

Co-pending U.S. Appl. No. 29/464,863, filed Aug. 21, 2013.
 Co-pending U.S. Appl. No. 29/471,498, filed Nov. 1, 2013.
 Co-pending U.S. Appl. No. 29/481,444, filed Feb. 6, 2013.
 Co-pending U.S. Appl. No. 29/481,445, filed Feb. 6, 2014.
 Co-pending U.S. Appl. No. 29/481,447, filed Feb. 6, 2014.
 Co-pending U.S. Appl. No. 29/481,449, filed Feb. 6, 2014.
 Co-pending U.S. Appl. No. 29/484,231, filed Mar. 7, 2014.
 Co-pending U.S. Appl. No. 29/484,232, filed Mar. 7, 2014.
 Co-pending U.S. Appl. No. 29/485,835, filed Mar. 24, 2014.
 Co-pending U.S. Appl. No. 29/485,842, filed Mar. 24, 2014.

* cited by examiner

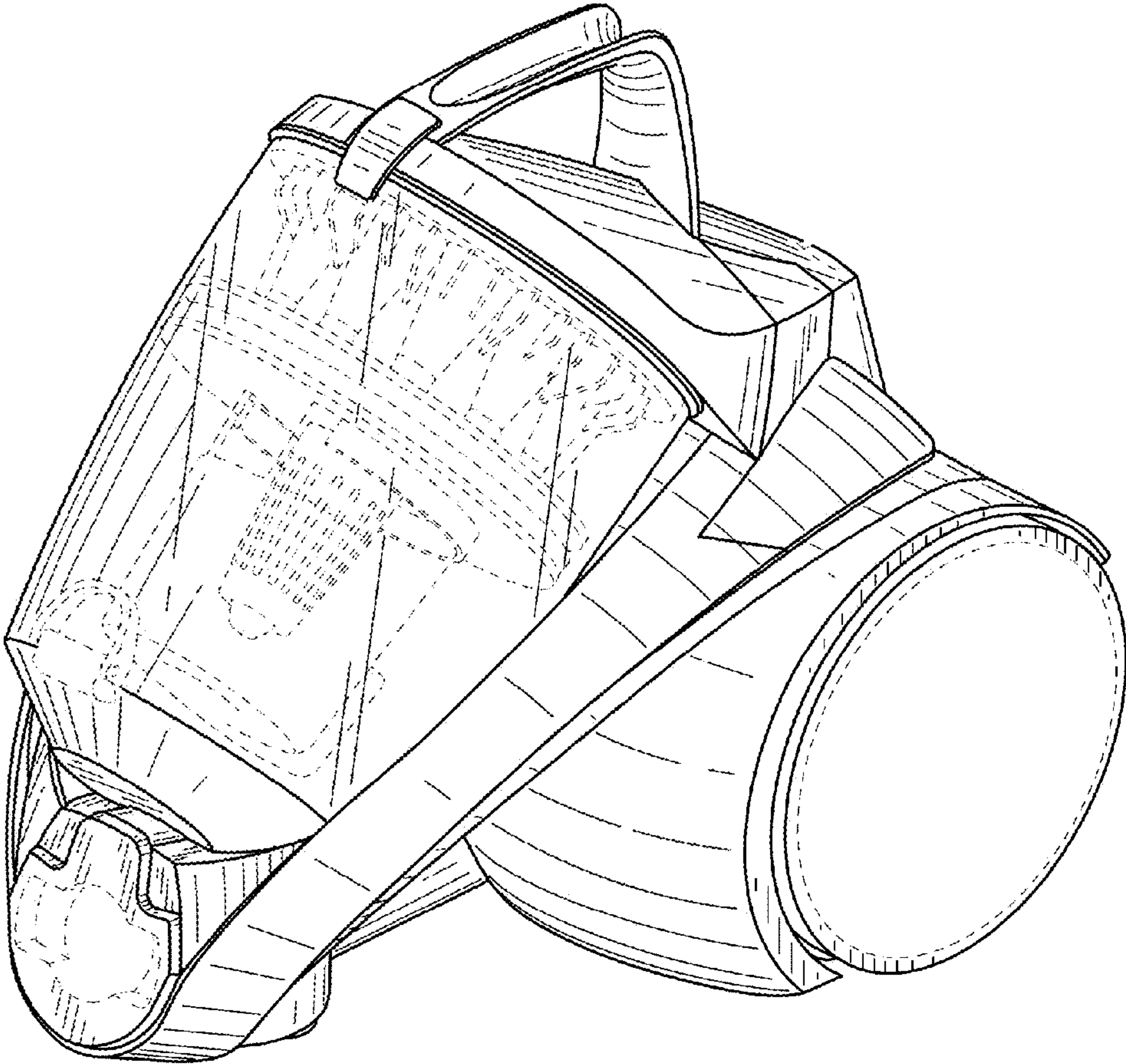


FIG. 1

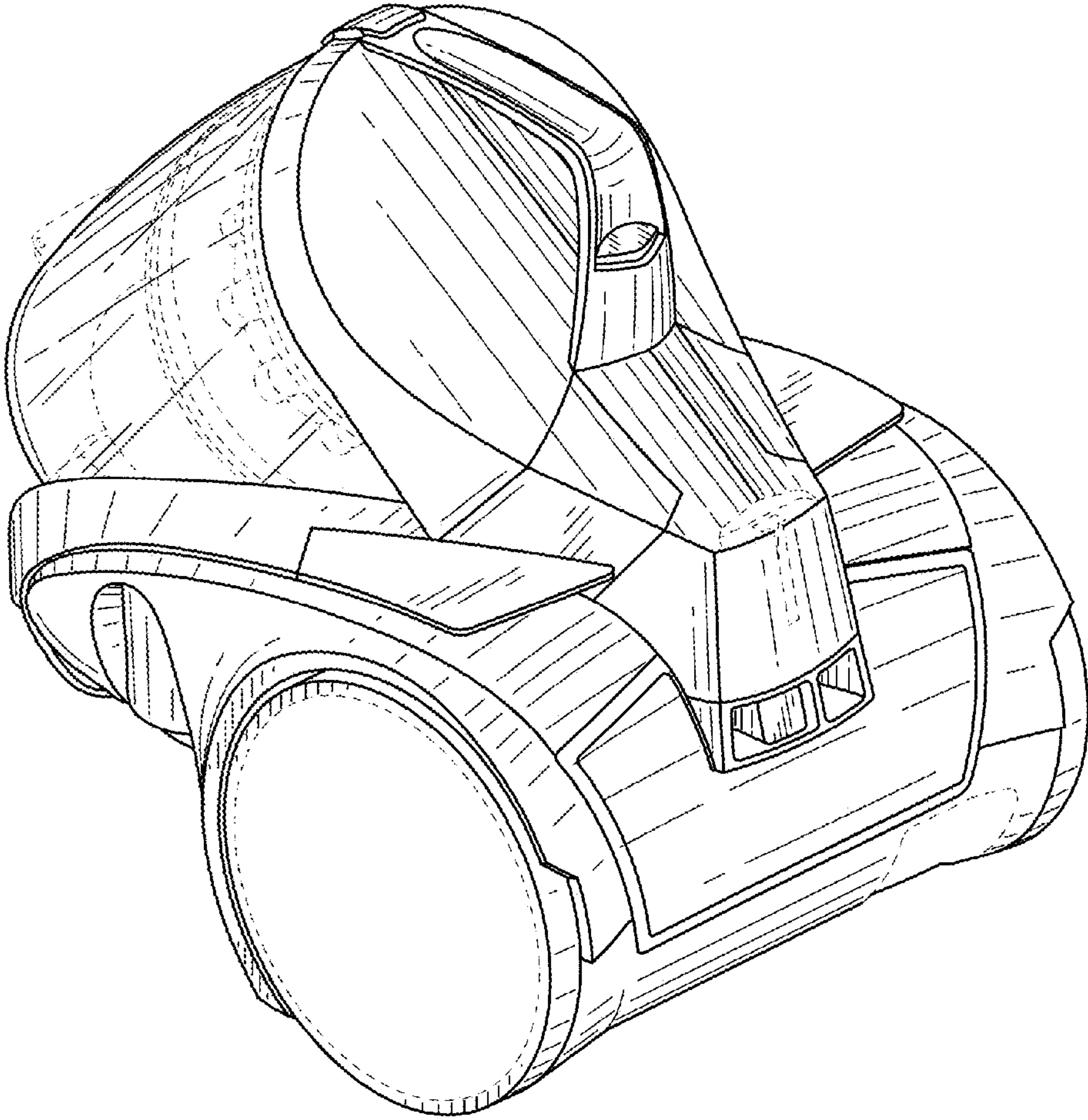


FIG. 2

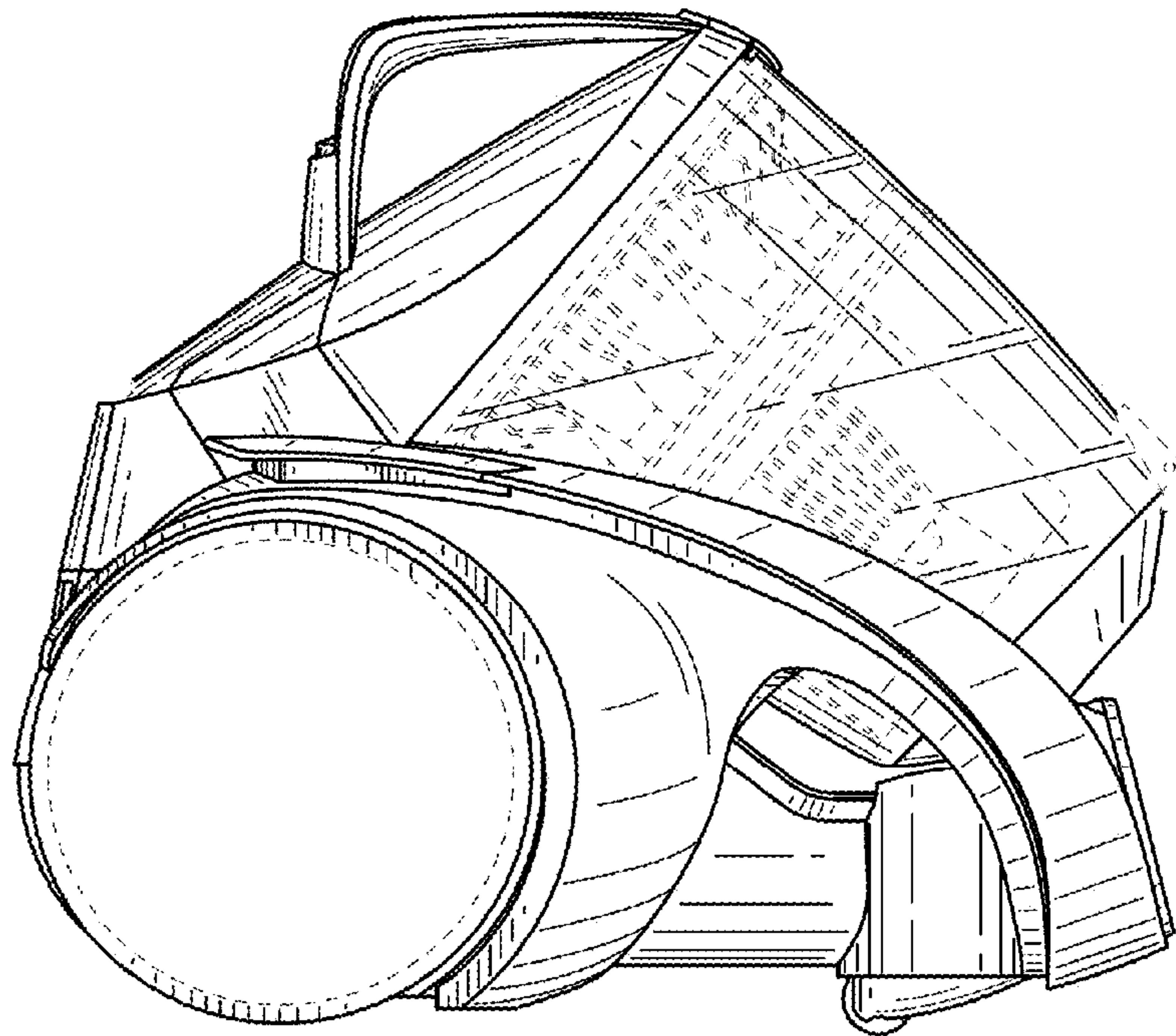


FIG. 3

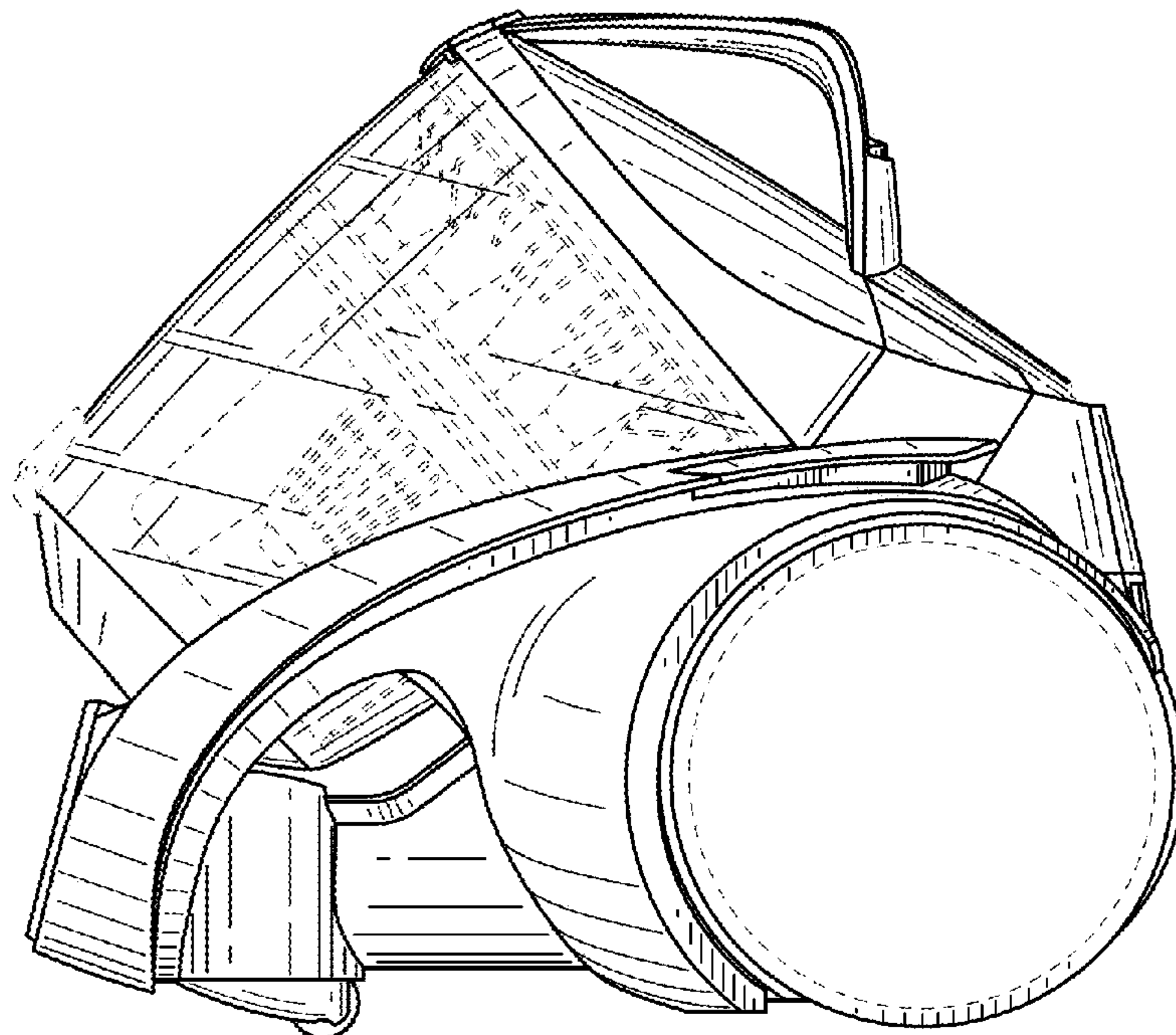


FIG. 4

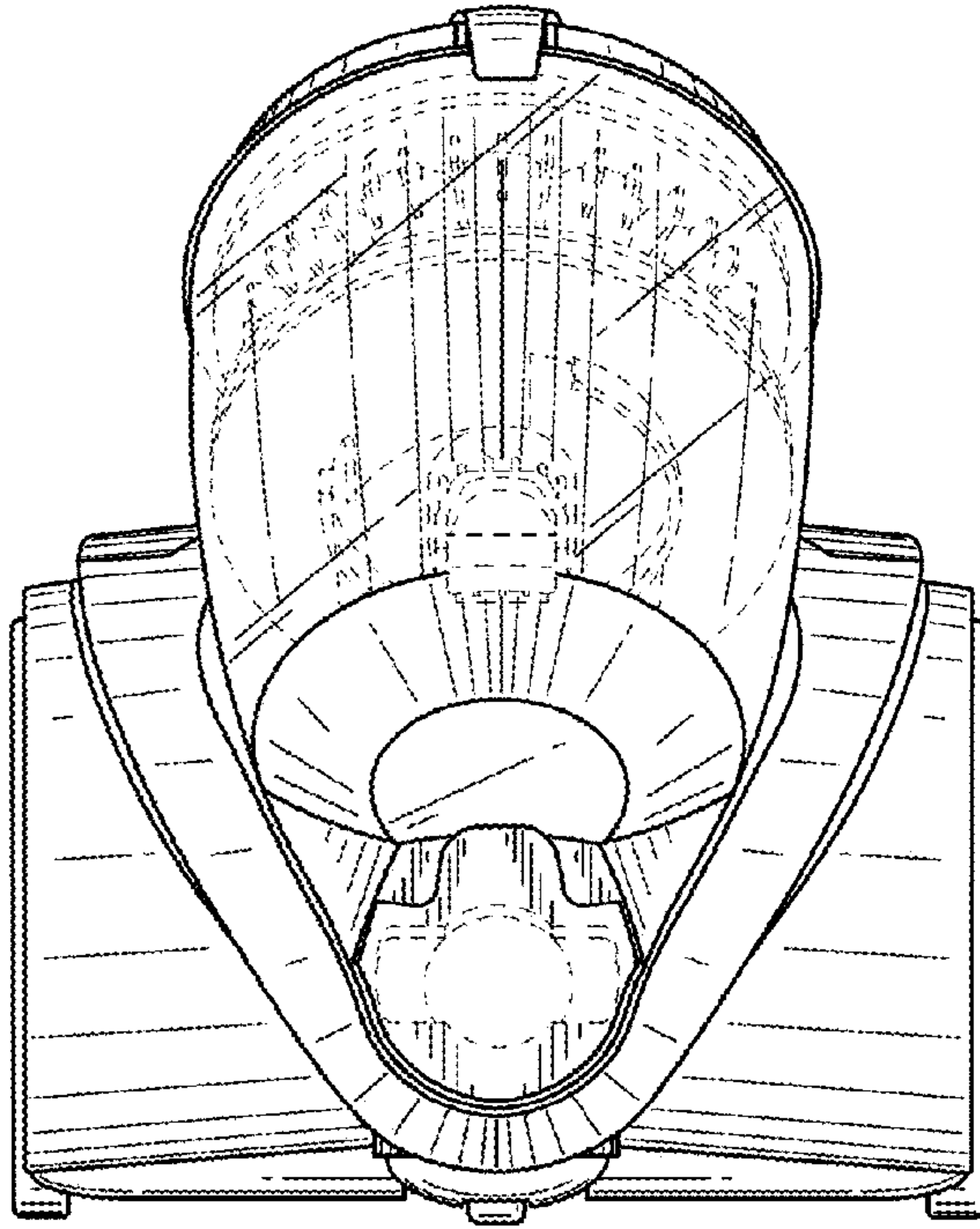


FIG. 5

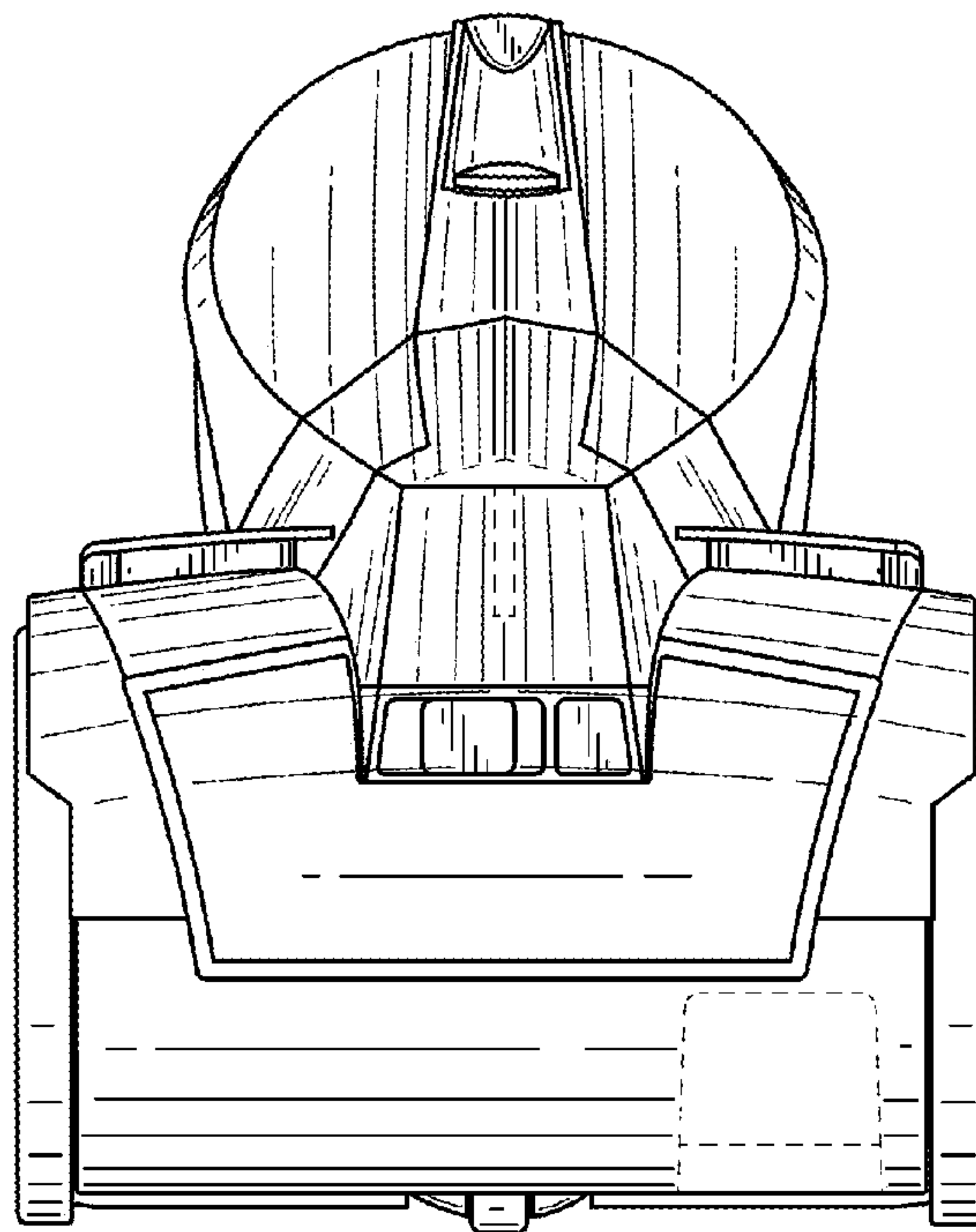


FIG. 6

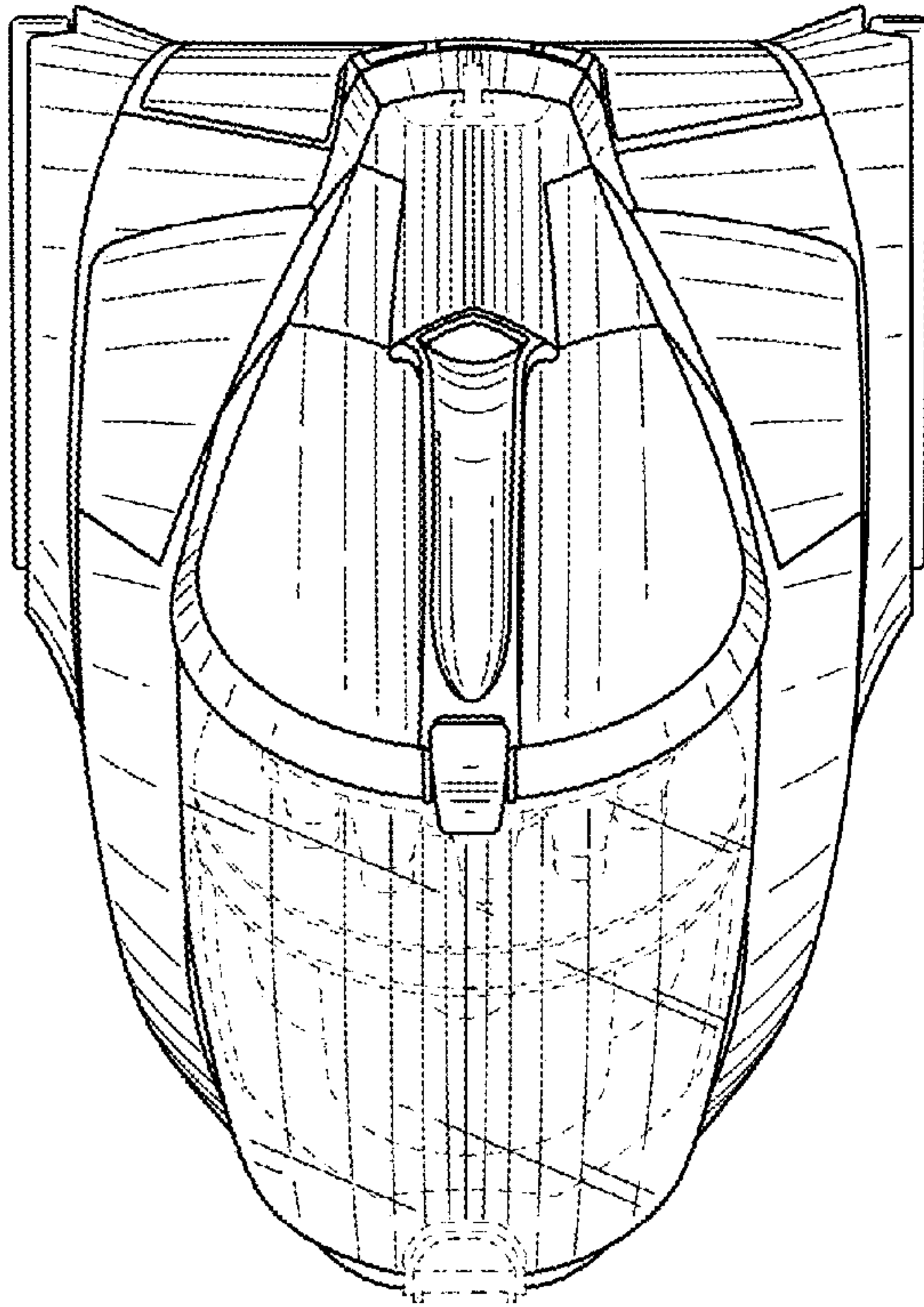


FIG. 7

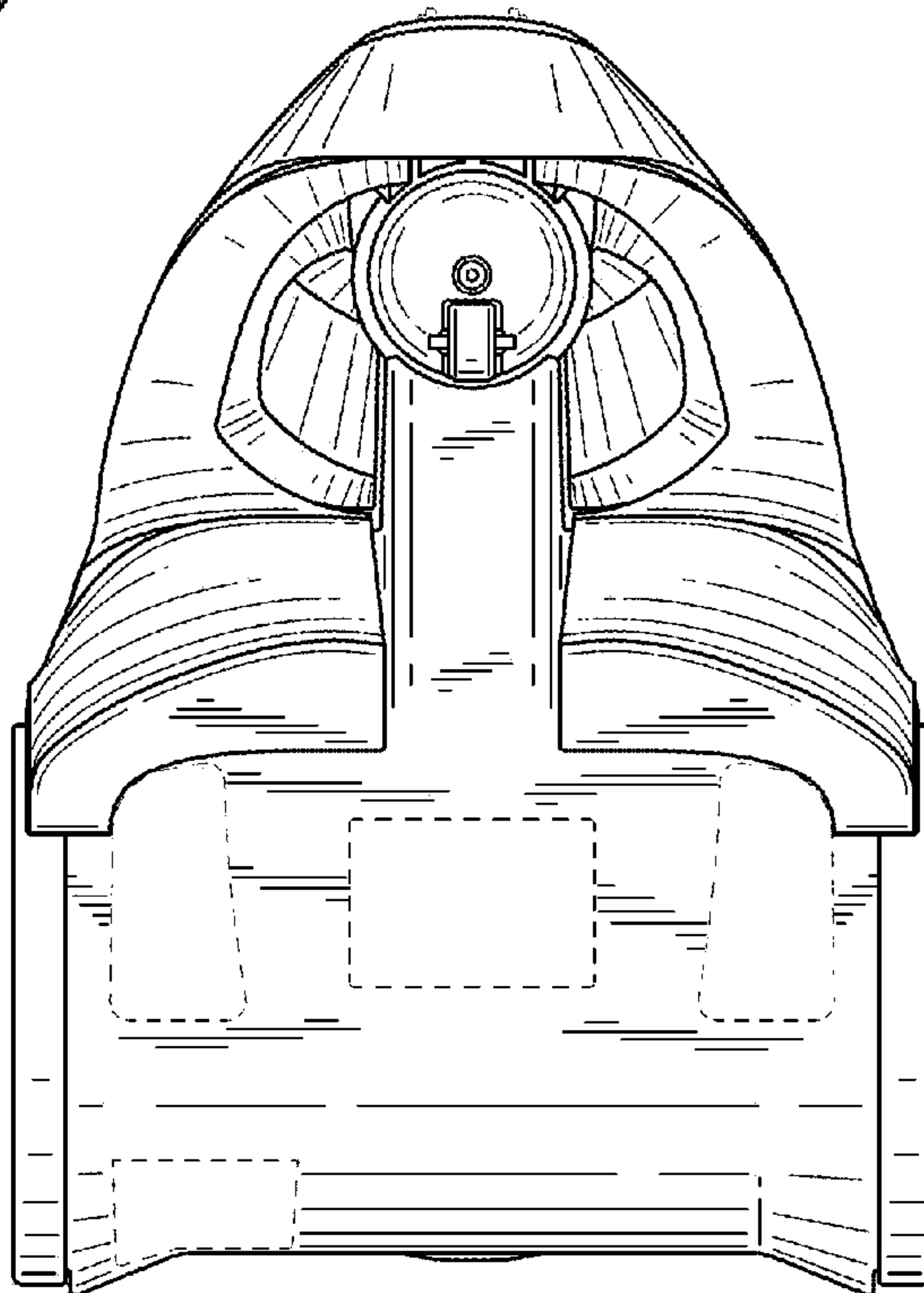


FIG. 8