



US00D725329S

(12) **United States Design Patent**
Aglassinger et al.

(10) **Patent No.:** **US D725,329 S**
(45) **Date of Patent:** **** Mar. 24, 2015**

(54) **UPPER PORTION OF A VACUUM CLEANER**

(71) Applicant: **Robert Bosch GmbH**, Stuttgart (DE)

(72) Inventors: **Hans-Peter Aglassinger**, Esslingen (DE); **Jason LePinske**, Esslingen (DE)

(73) Assignee: **Robert Bosch GmbH**, Stuttgart (DE)

(**) Term: **14 Years**

(21) Appl. No.: **29/450,509**

(22) Filed: **Mar. 18, 2013**

(30) **Foreign Application Priority Data**

Sep. 19, 2012 (EM) 002105585

(51) **LOC (10) Cl.** **15-05**

(52) **U.S. Cl.**
USPC **D32/21**

(58) **Field of Classification Search**
CPC ... A47L 7/0004; A47L 11/34; A47L 11/4036;
A47L 11/4041; A47L 7/0023; A47L 11/30
USPC D32/21-24, 32-34; 15/353, 320-321,
15/323, 340.2, 412, 339, 327.1-327.7
See application file for complete search history.

(56) **References Cited**

U.S. PATENT DOCUMENTS

D303,172 S *	8/1989	Goodrich	D32/21
D324,280 S *	2/1992	Goodrich	D32/21
D332,330 S *	1/1993	Gurstein	D32/22
D333,890 S *	3/1993	Oberdorfer-Bogel	D32/23
D334,258 S *	3/1993	Oberdorfer-Bogel	D32/23
D343,706 S *	1/1994	Gurstein	D32/22
D344,377 S *	2/1994	Thomas	D32/23

D362,522 S *	9/1995	Kohler	D32/23
D422,386 S *	4/2000	Jaros et al.	D32/22
D446,612 S *	8/2001	Kohler	D32/21
D581,111 S *	11/2008	DiPasquale	D32/21
D581,112 S *	11/2008	Baek	D32/21
D581,608 S *	11/2008	Dammkoehler et al.	D32/21
D583,115 S *	12/2008	Lam	D32/21
D633,665 S *	3/2011	Dammkoehler	D32/21
D655,874 S *	3/2012	Dammkoehler	D32/24
D667,597 S *	9/2012	Dammkoehler	D32/21
D670,046 S *	10/2012	Theising et al.	D32/22
D684,737 S *	6/2013	Wolfe et al.	D32/21
2010/0139032 A1 *	6/2010	Tomasiak	15/347
2013/0007979 A1 *	1/2013	Wolfe et al.	15/323
2013/0061422 A1 *	3/2013	Black et al.	15/414

* cited by examiner

Primary Examiner — Ruth McInroy

(74) *Attorney, Agent, or Firm* — Maginot, Moore & Beck, LLP

(57) **CLAIM**

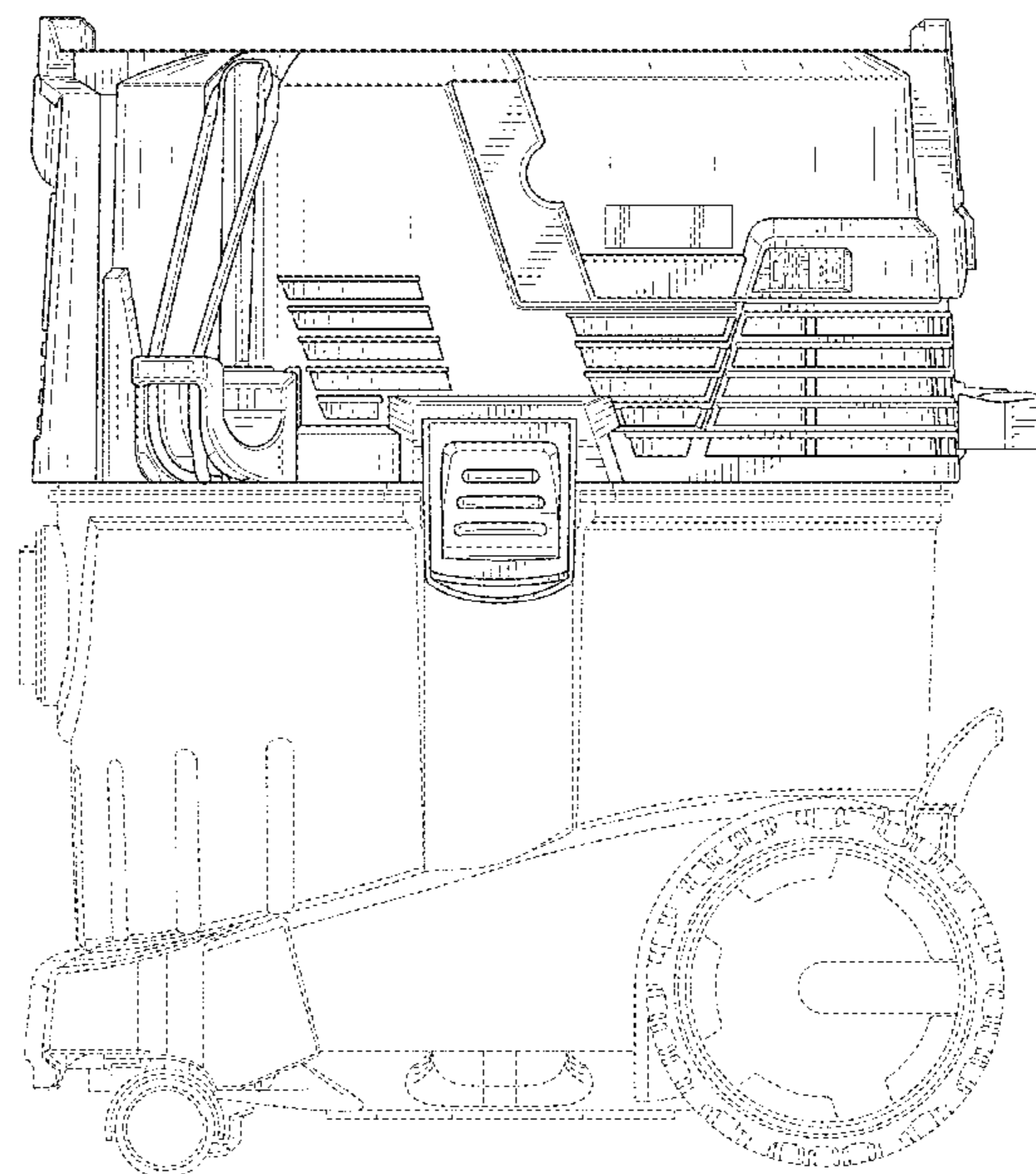
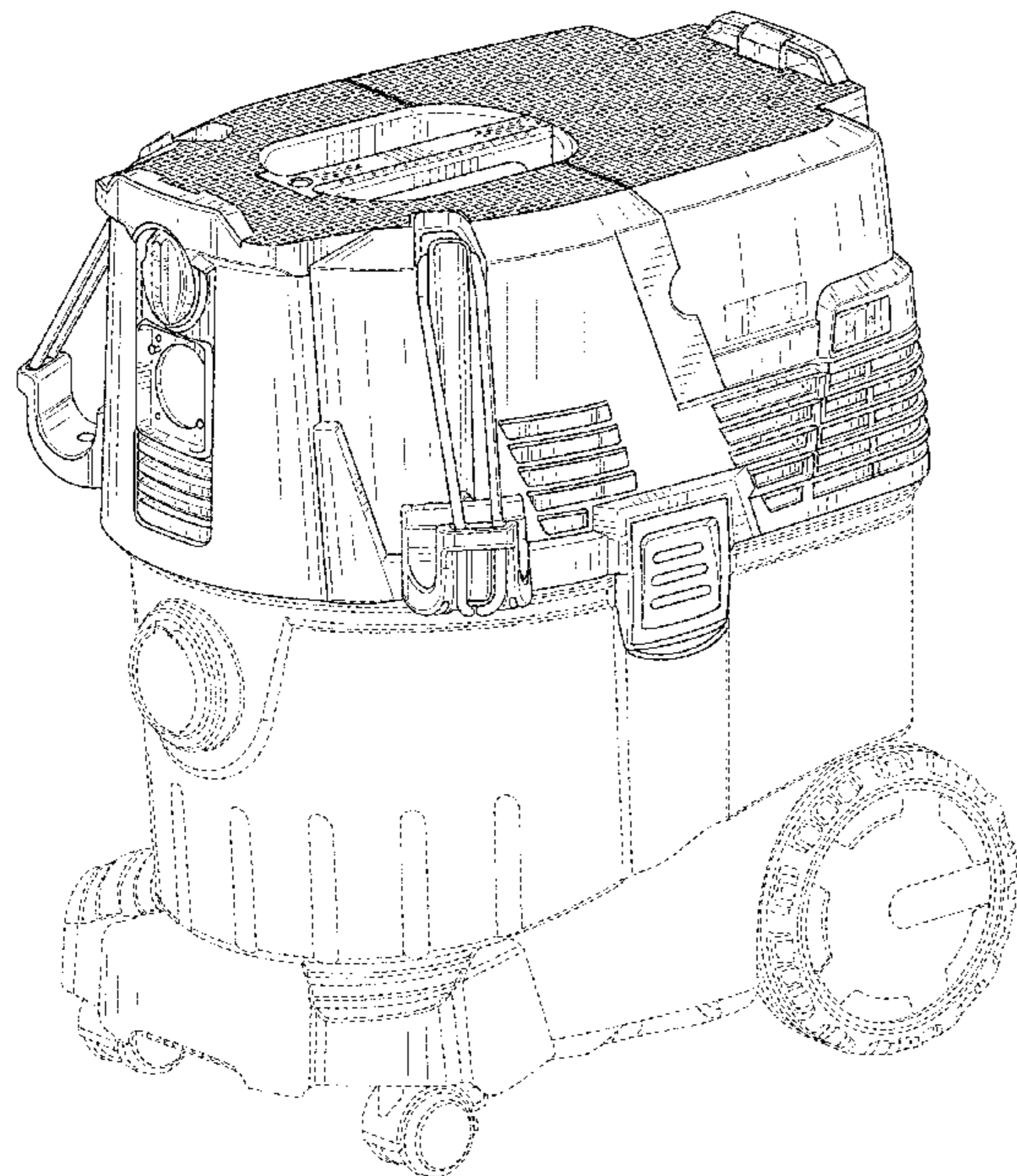
The ornamental design for an upper portion of a vacuum cleaner, as shown and described.

DESCRIPTION

FIG. 1 is a front perspective view of a vacuum cleaner showing our new design;
FIG. 2 is a right side elevational view thereof;
FIG. 3 is a left side elevational view thereof;
FIG. 4 is a front elevational view thereof;
FIG. 5 is a rear elevational view thereof; and,
FIG. 6 is a top plan view thereof.

The broken lines shown in the drawings are included for the purpose of illustrating unclaimed portions of the upper portion of the vacuum cleaner and form no part of the claimed design.

1 Claim, 6 Drawing Sheets



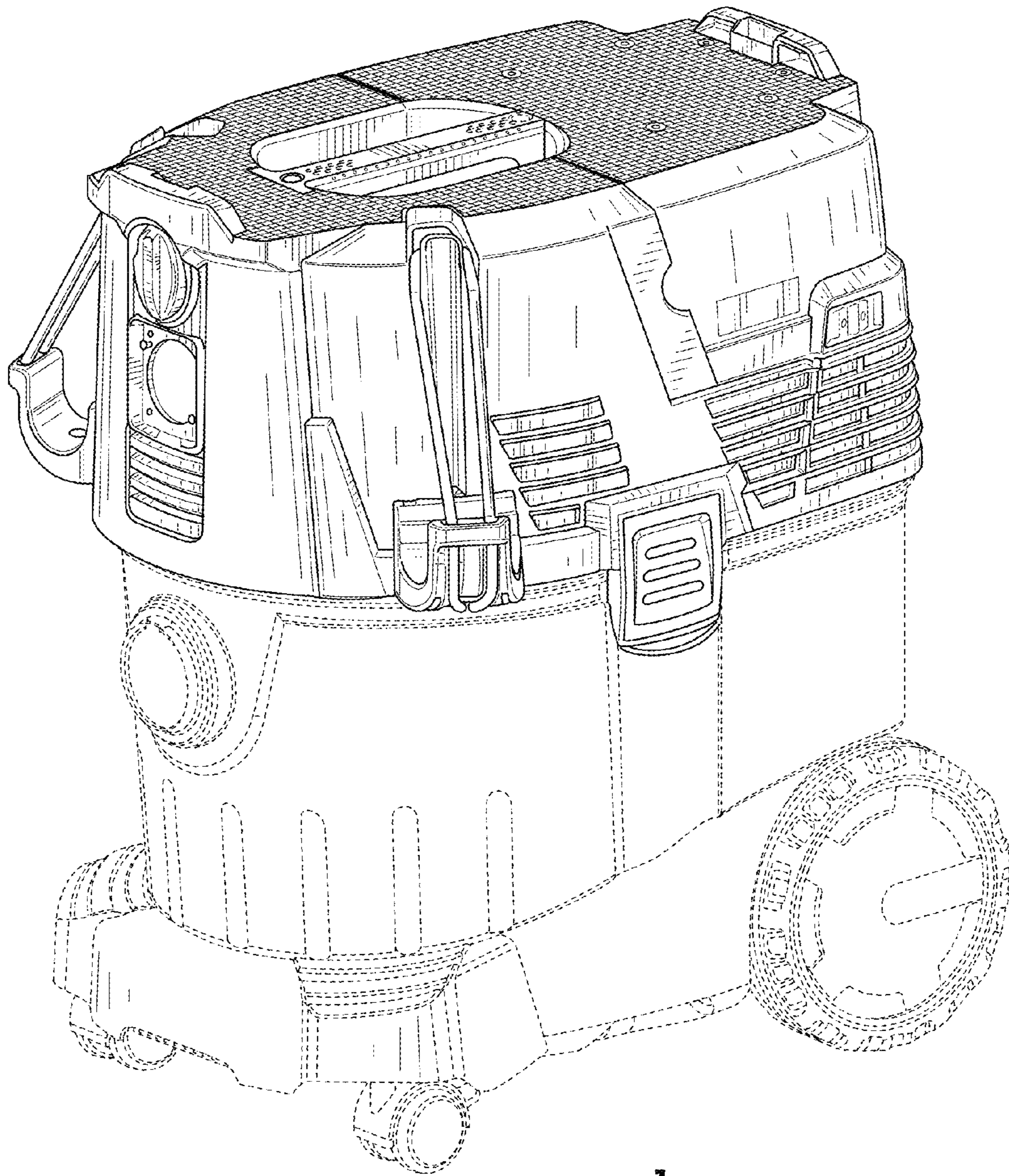


FIG. 1

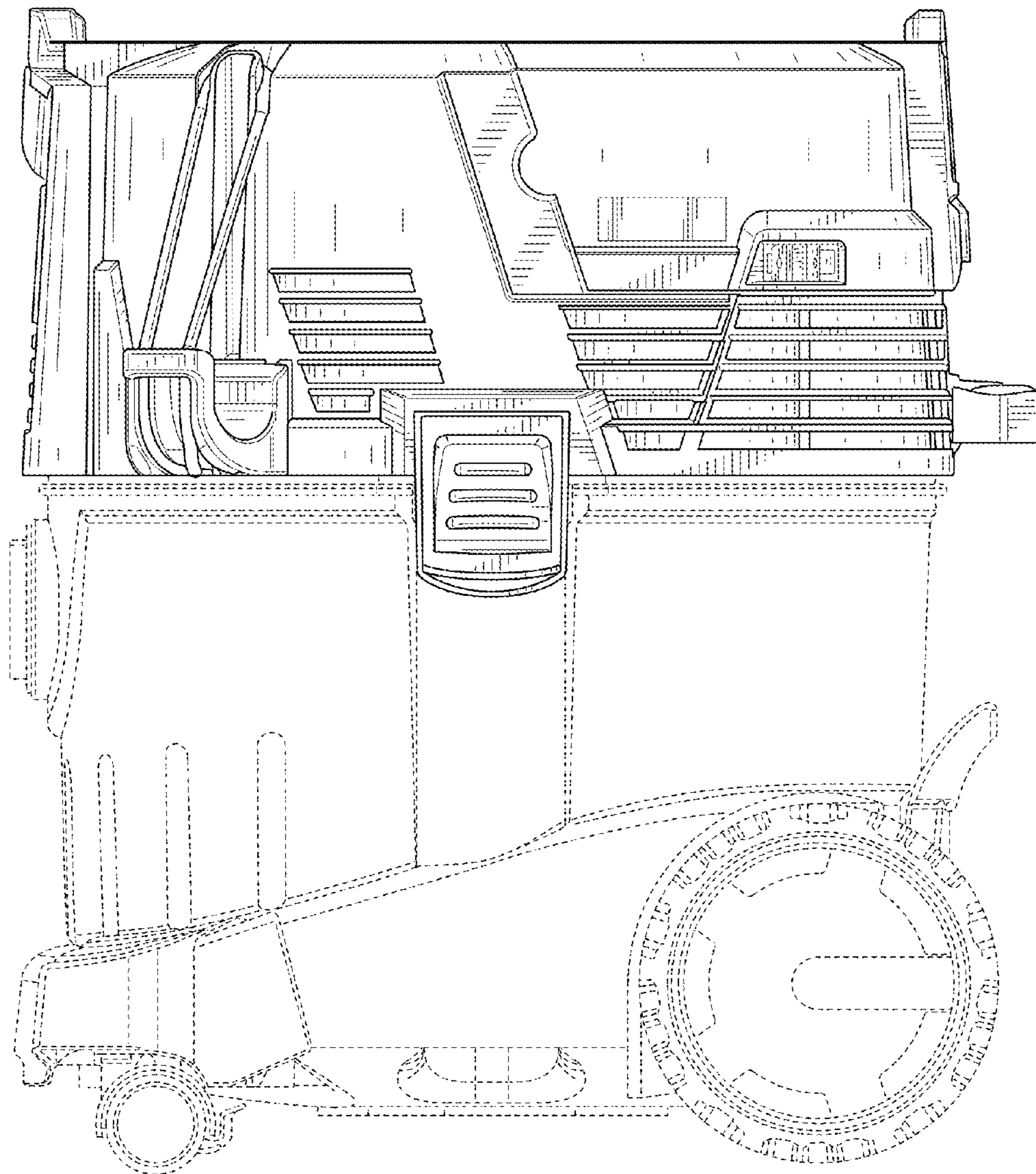


FIG. 2

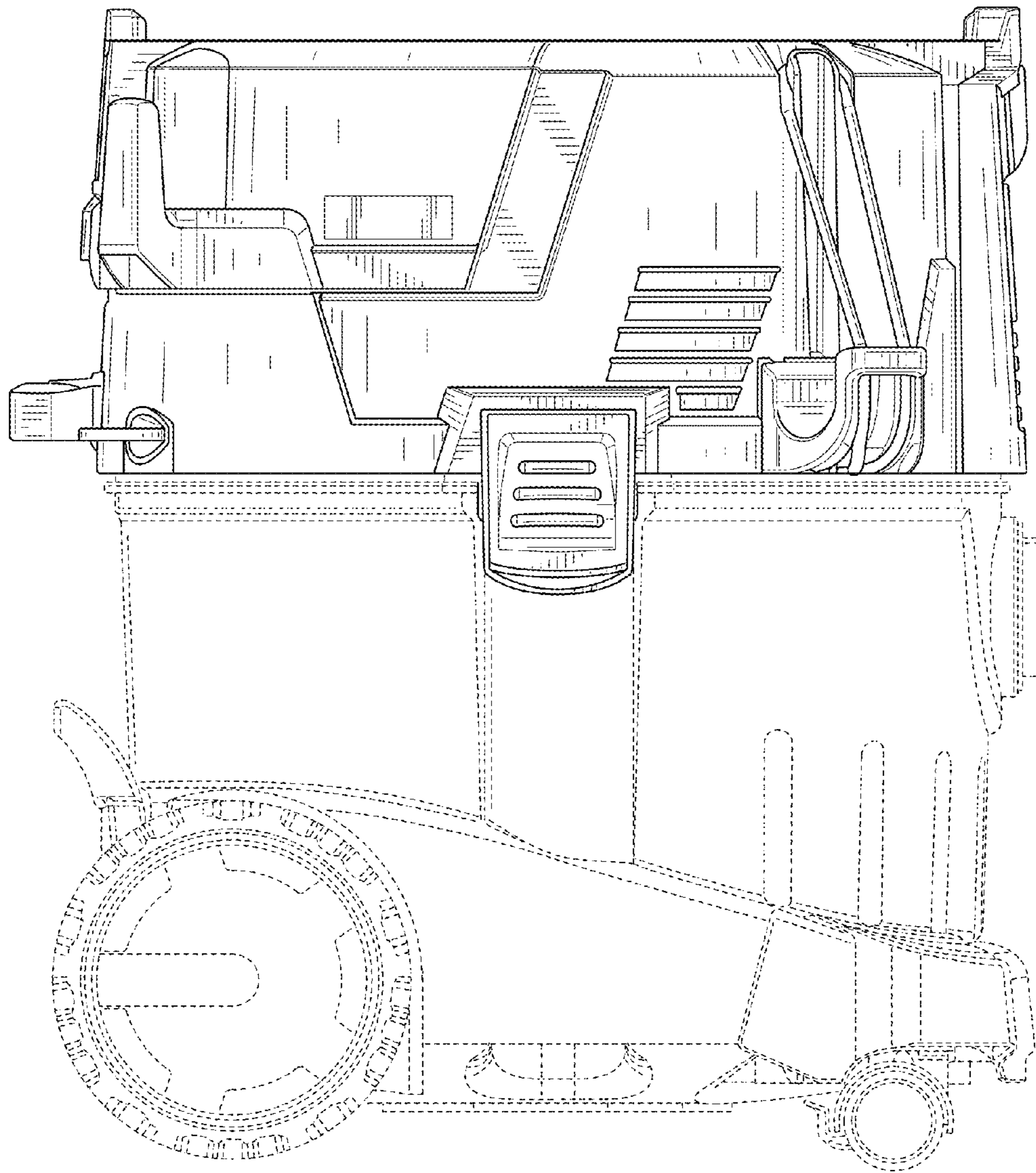


FIG. 3

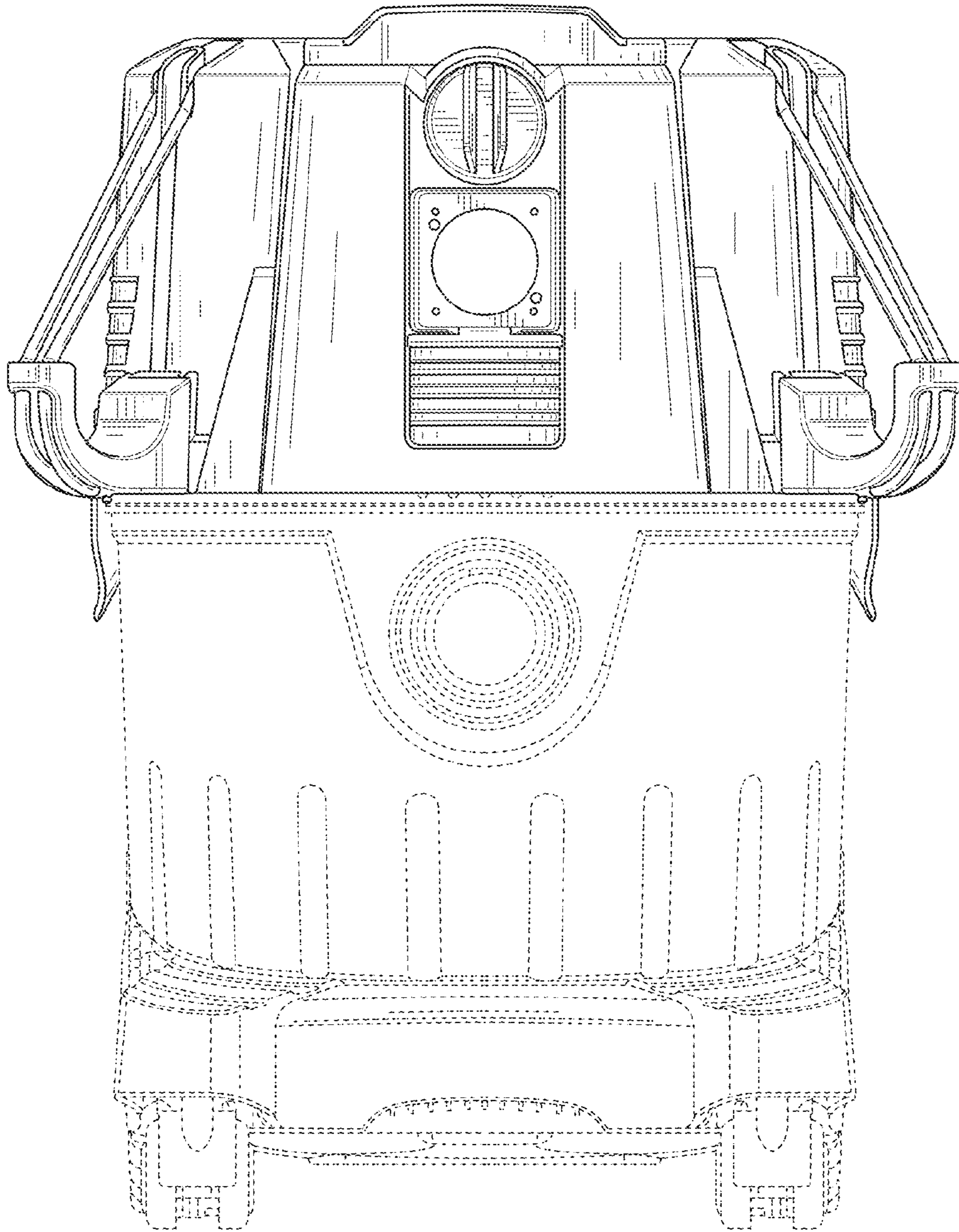


FIG. 4

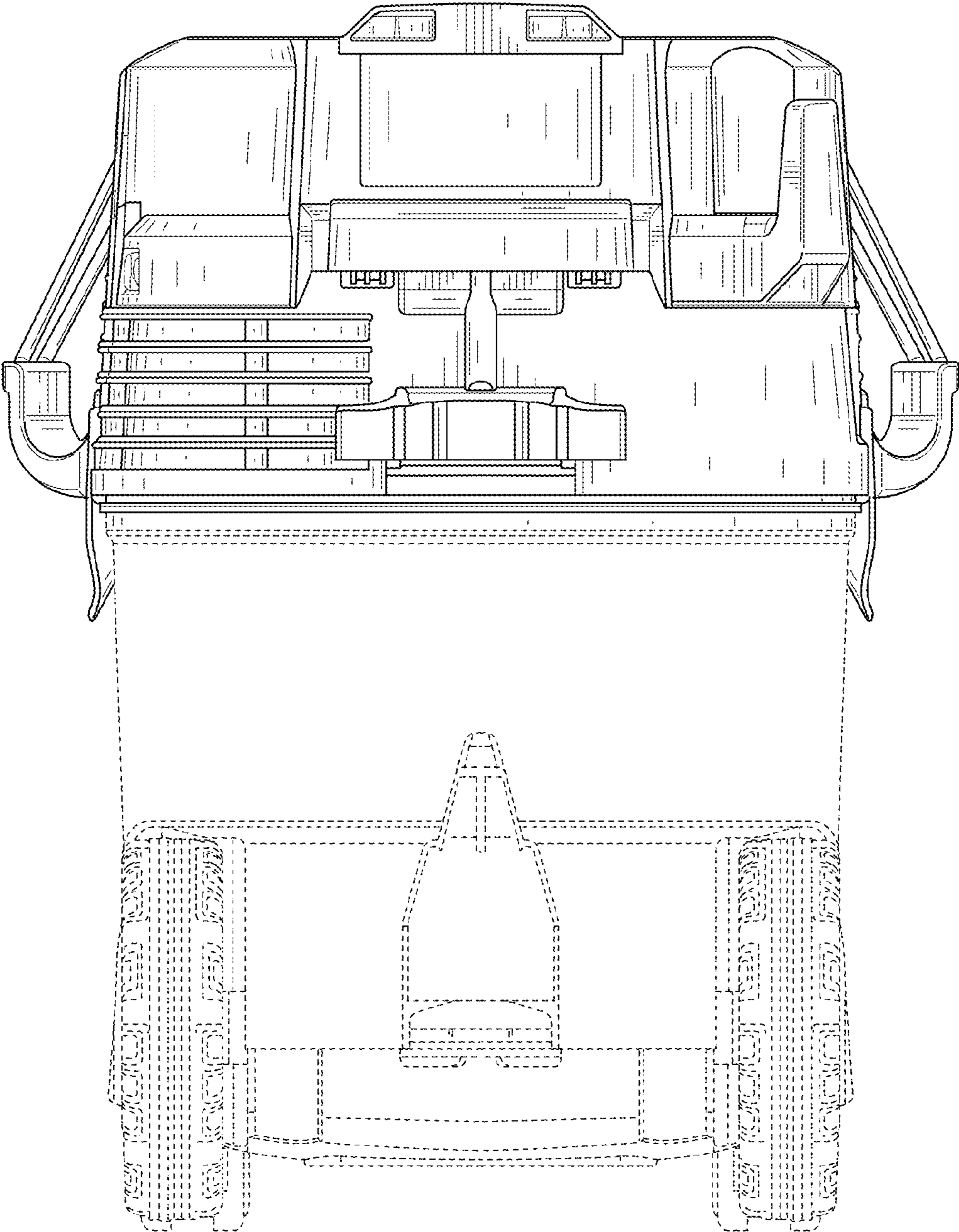


FIG. 5

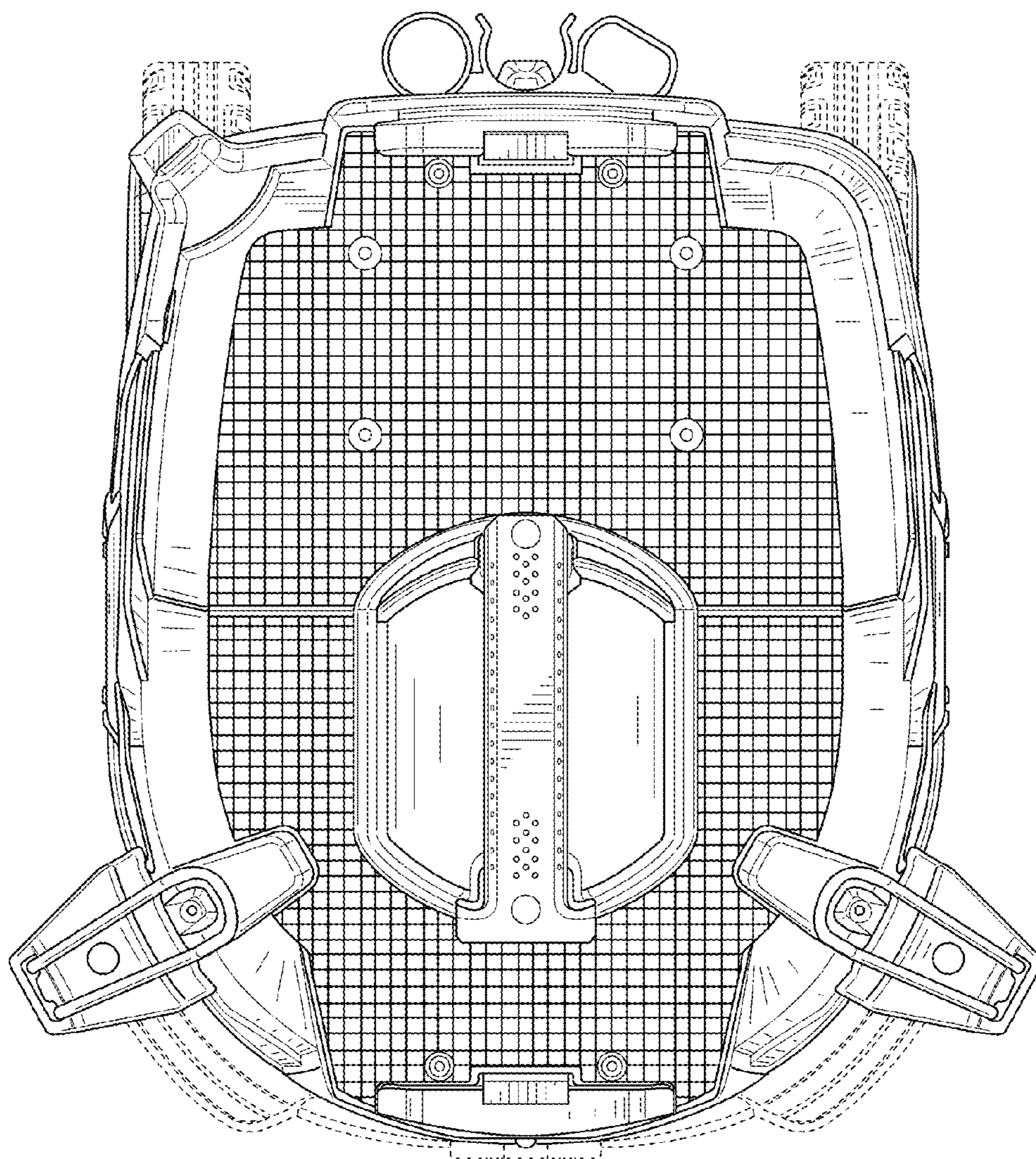


FIG. 6