



US00D725328S

(12) **United States Design Patent**  
**Aglassinger et al.**

(10) **Patent No.:** **US D725,328 S**  
(45) **Date of Patent:** **\*\* Mar. 24, 2015**

(54) **VACUUM CLEANER**

(71) Applicant: **Robert Bosch GmbH**, Stuttgart (DE)

(72) Inventors: **Hans-Peter Aglassinger**, Esslingen (DE); **Jason LePinske**, Esslingen (DE)

(73) Assignee: **Robert Bosch GmbH**, Stuttgart (DE)

(\*\*) Term: **14 Years**

(21) Appl. No.: **29/450,508**

(22) Filed: **Mar. 18, 2013**

(30) **Foreign Application Priority Data**

Sep. 19, 2012 (EM) ..... 002105585

(51) **LOC (10) Cl.** ..... **15-05**

(52) **U.S. Cl.**  
USPC ..... **D32/21**

(58) **Field of Classification Search**

CPC ..... A47L 7/0004; A47L 11/4036; A47L 11/4041; A47L 7/0023; A47L 7/009; A47L 11/30

USPC ..... D32/21-24, 32-34; 15/353, 320-321, 15/323, 340.2, 412, 339, 327.1-327.7

See application file for complete search history.

(56) **References Cited**

**U.S. PATENT DOCUMENTS**

D333,195 S \* 2/1993 Oberdorfer-Bogel ..... D32/23  
D333,890 S \* 3/1993 Oberdorfer-Bogel ..... D32/23

D334,258 S \* 3/1993 Oberdorfer-Bogel ..... D32/23  
D343,706 S \* 1/1994 Gurstein ..... D32/22  
D344,377 S \* 2/1994 Thomas ..... D32/23  
D362,522 S \* 9/1995 Kohler ..... D32/23  
D380,070 S \* 6/1997 Shero ..... D32/23  
D581,111 S \* 11/2008 DiPasquale ..... D32/21  
D581,608 S \* 11/2008 Dammkoehler et al. .... D32/21  
D633,665 S \* 3/2011 Dammkoehler ..... D32/21  
D655,874 S \* 3/2012 Dammkoehler ..... D32/24  
D667,597 S \* 9/2012 Dammkoehler ..... D32/21  
D684,737 S \* 6/2013 Wolfe et al. .... D32/21  
2010/0139032 A1 \* 6/2010 Tomasiak ..... 15/347  
2013/0061422 A1 \* 3/2013 Black et al. .... 15/414

\* cited by examiner

*Primary Examiner* — Ruth McInroy

(74) *Attorney, Agent, or Firm* — Maginot, Moore & Beck LLP

(57) **CLAIM**

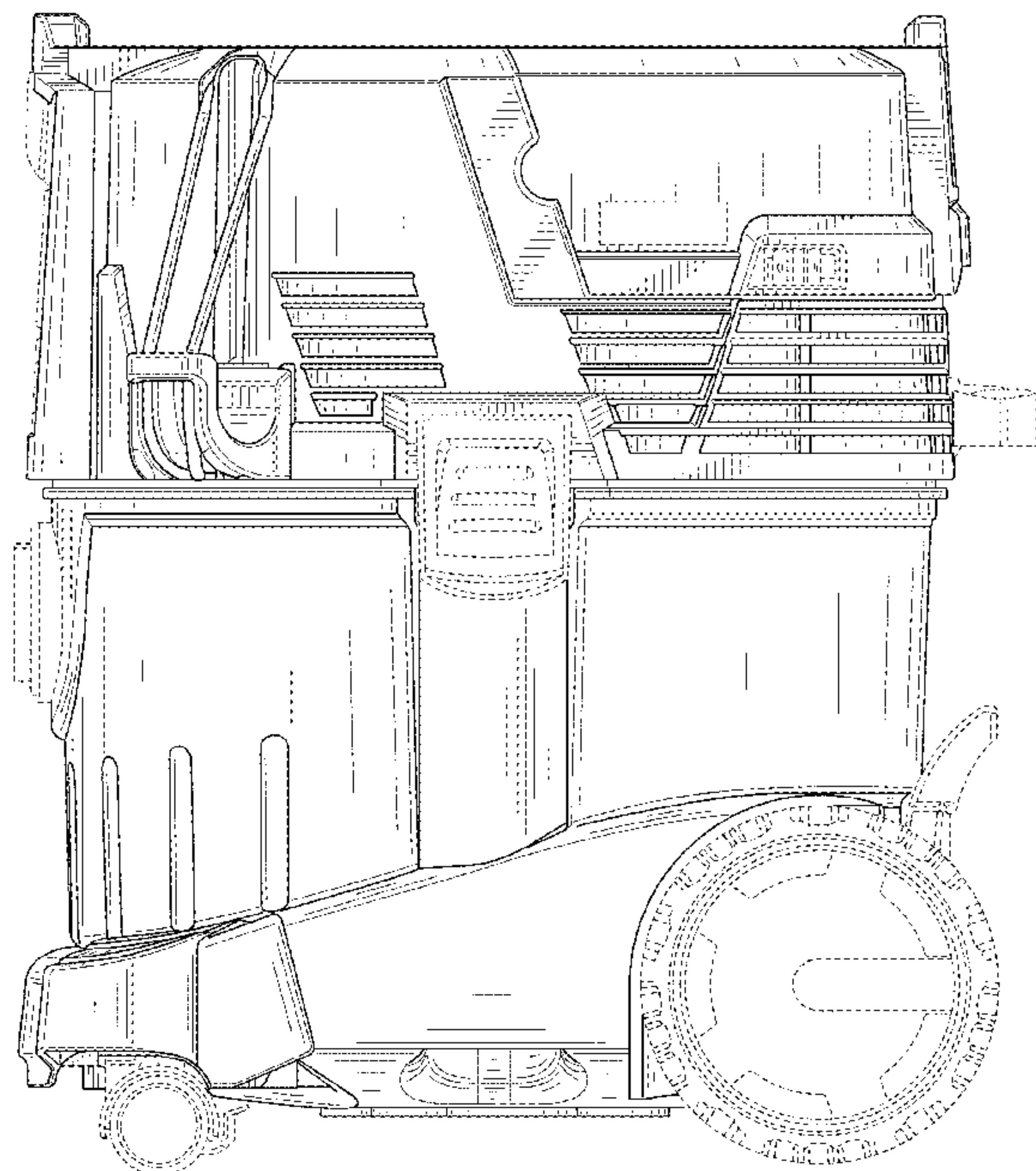
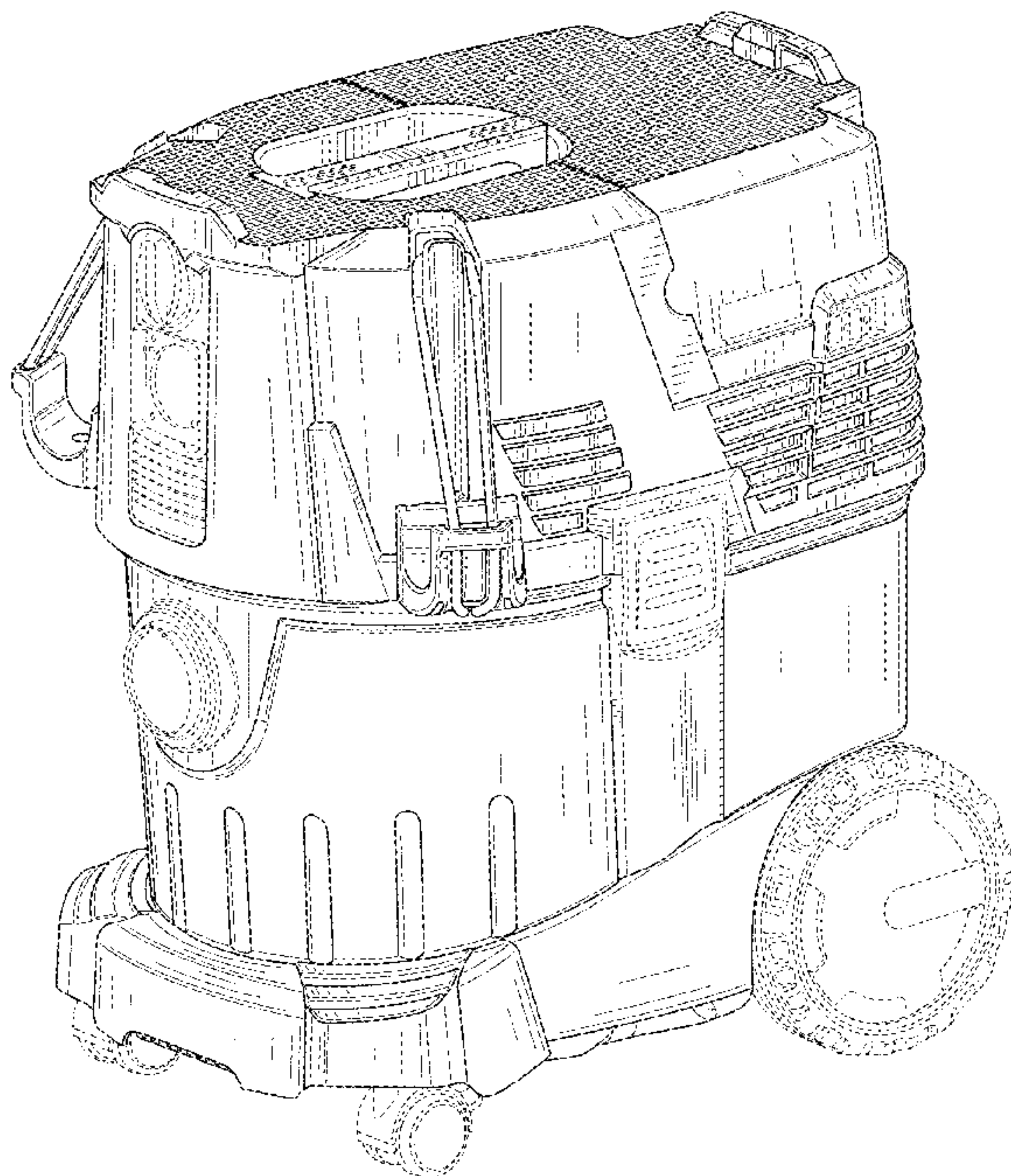
The ornamental design for a vacuum cleaner, as shown and described.

**DESCRIPTION**

FIG. 1 is a front perspective view of a vacuum cleaner showing our new design;  
FIG. 2 is a right side elevational view thereof;  
FIG. 3 is a left side elevational view thereof;  
FIG. 4 is a front elevational view thereof;  
FIG. 5 is a rear elevational view thereof; and,  
FIG. 6 is a top plan view thereof.

The broken lines shown in the drawings illustrate portions of the vacuum cleaner that form no part of the claimed design.

**1 Claim, 6 Drawing Sheets**





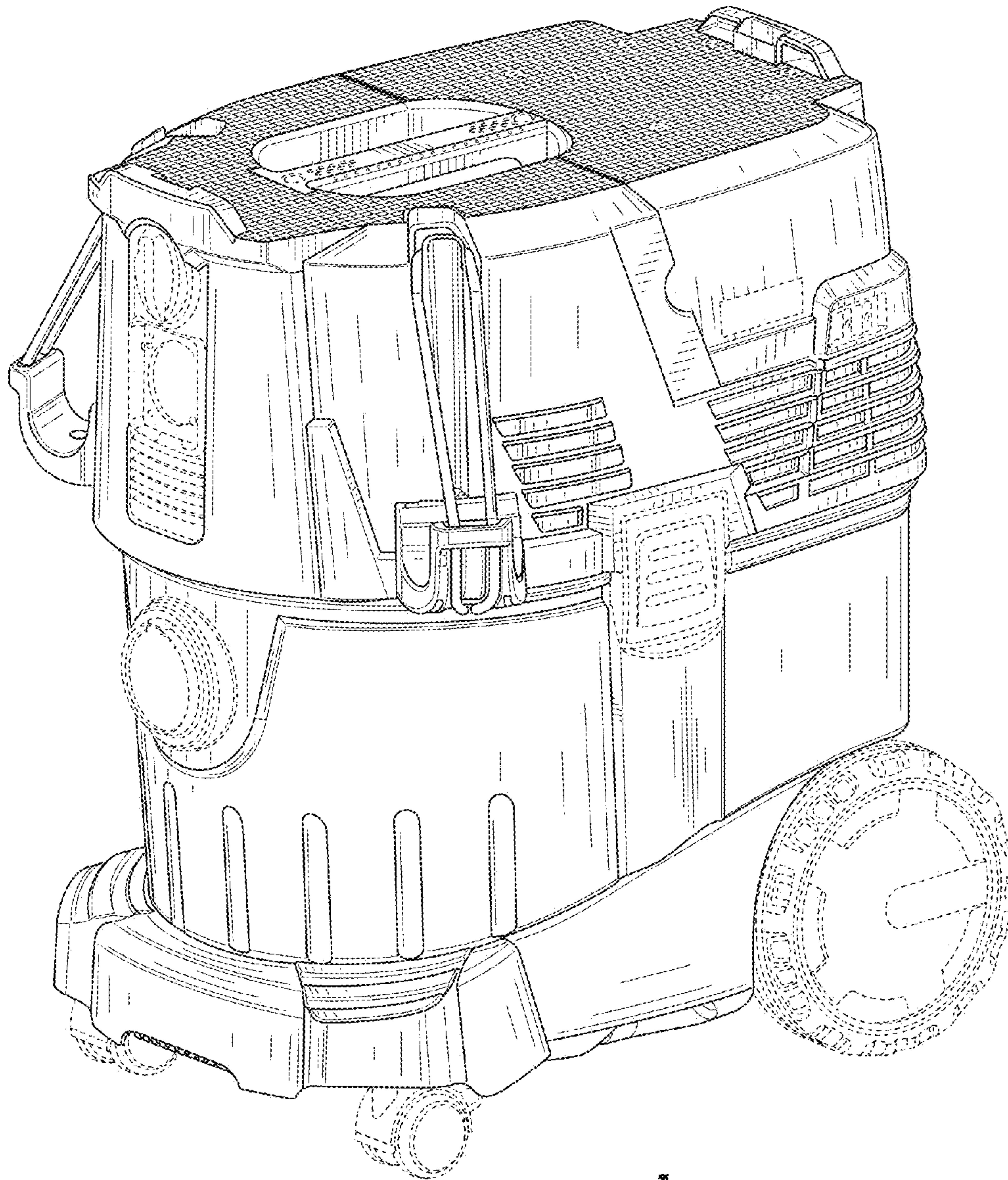


FIG. 1

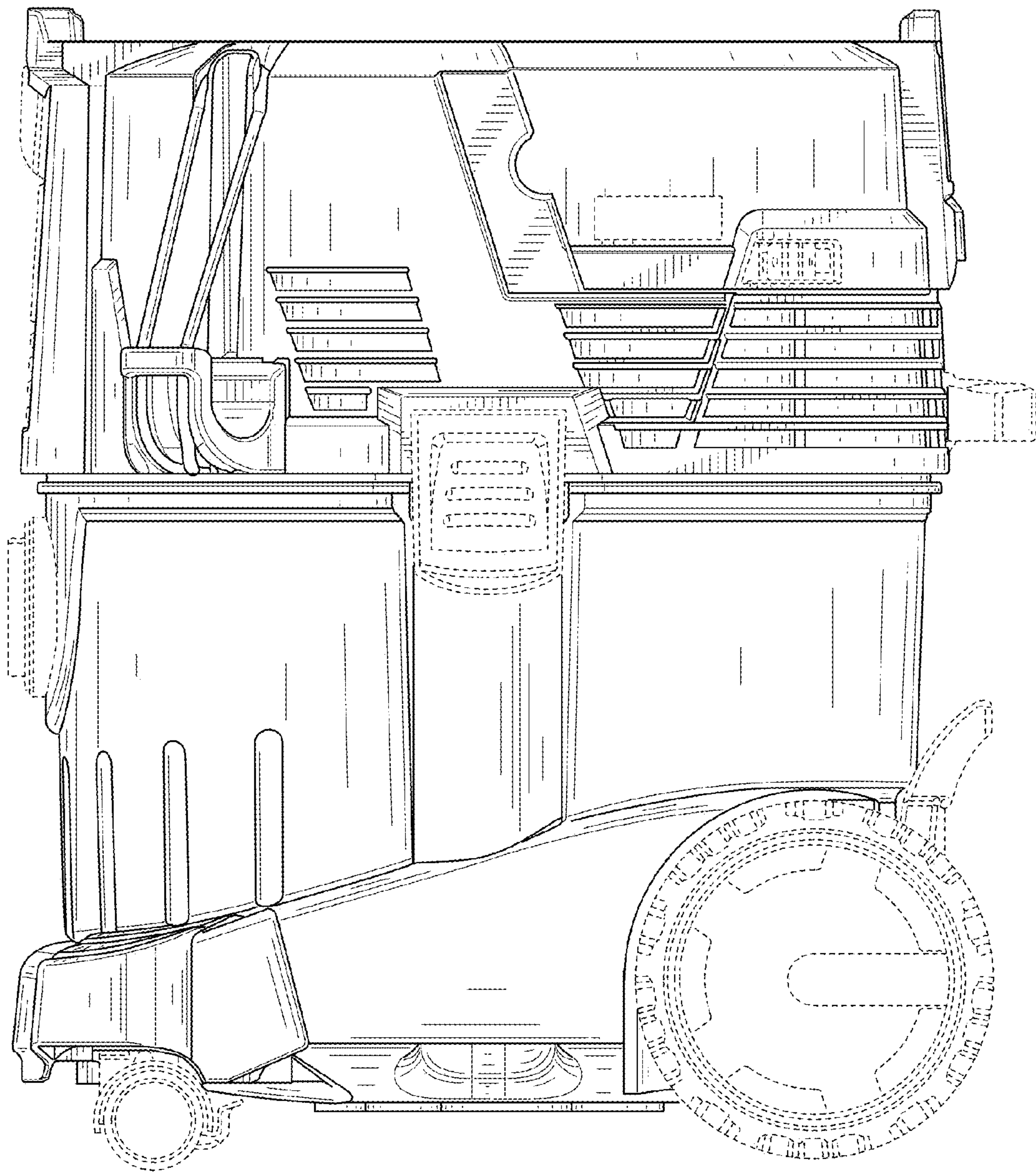


FIG. 2



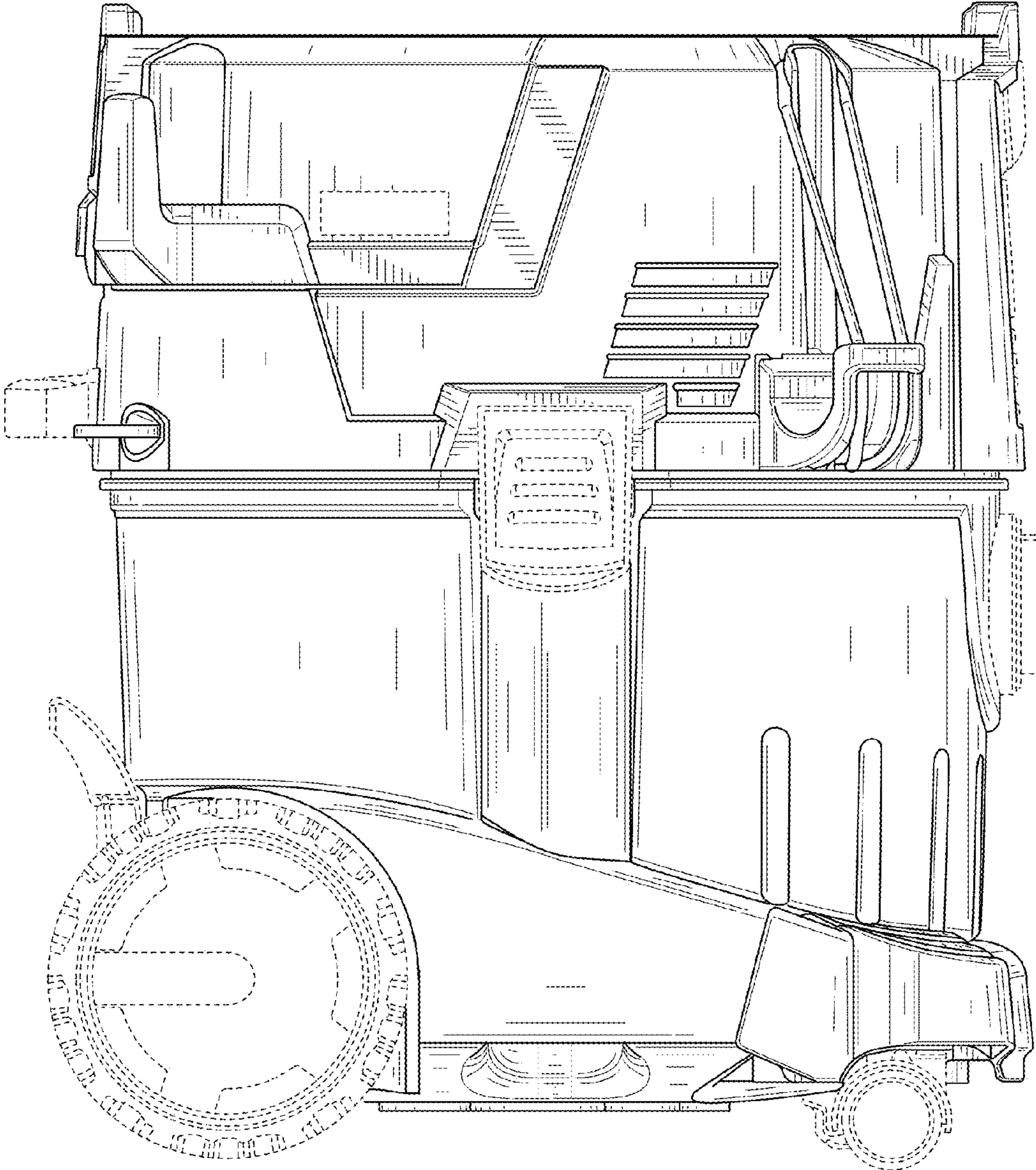


FIG. 3

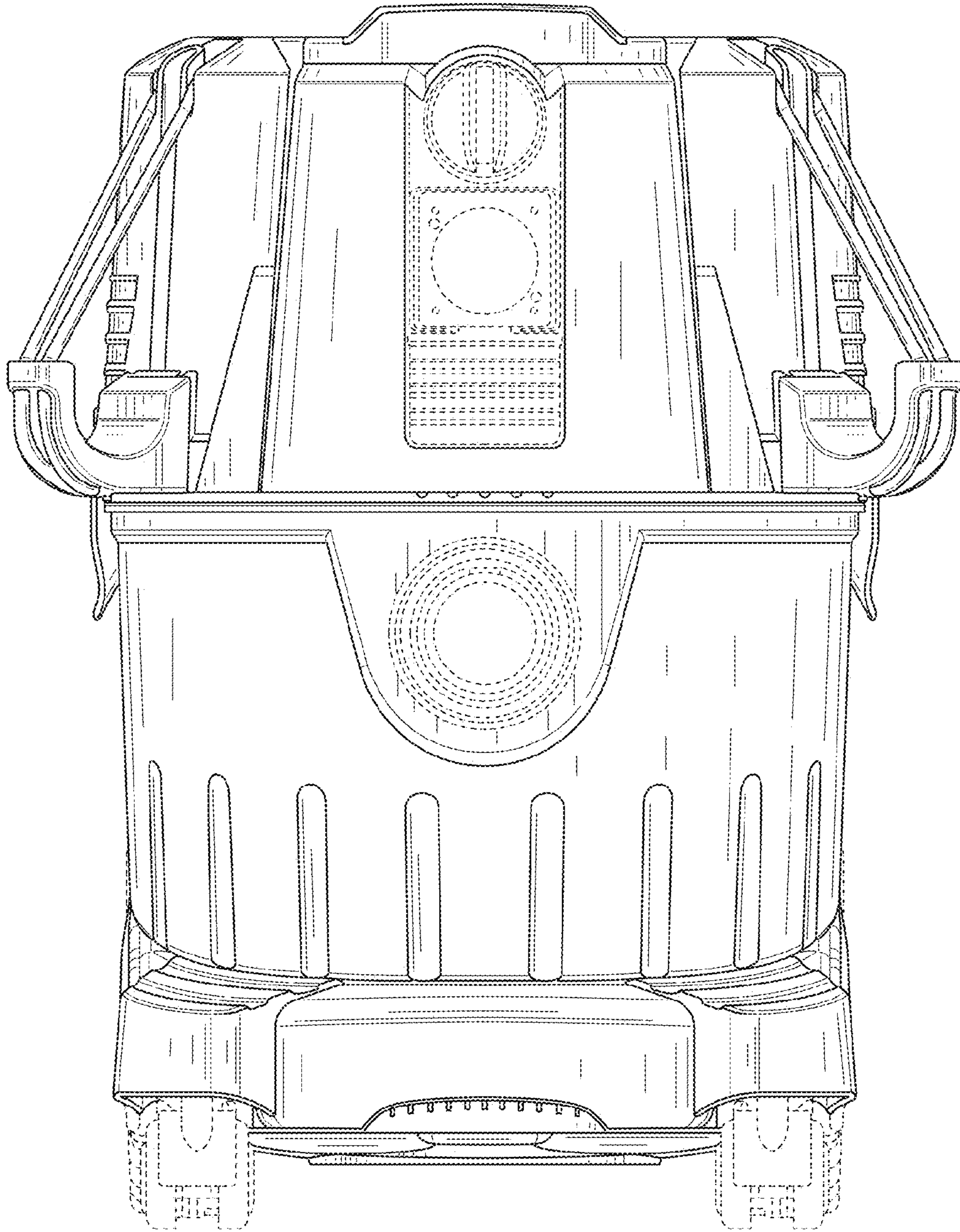


FIG. 4

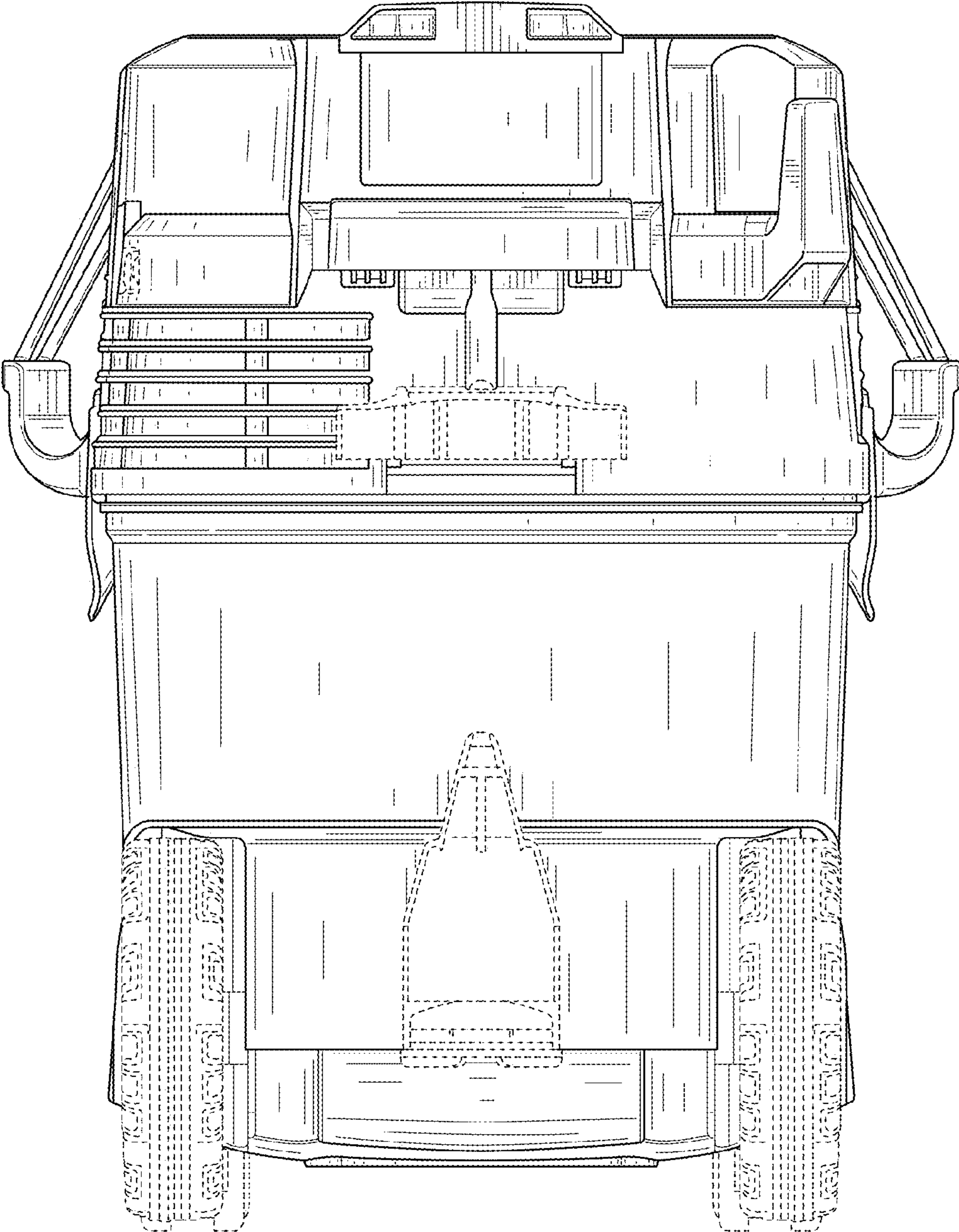
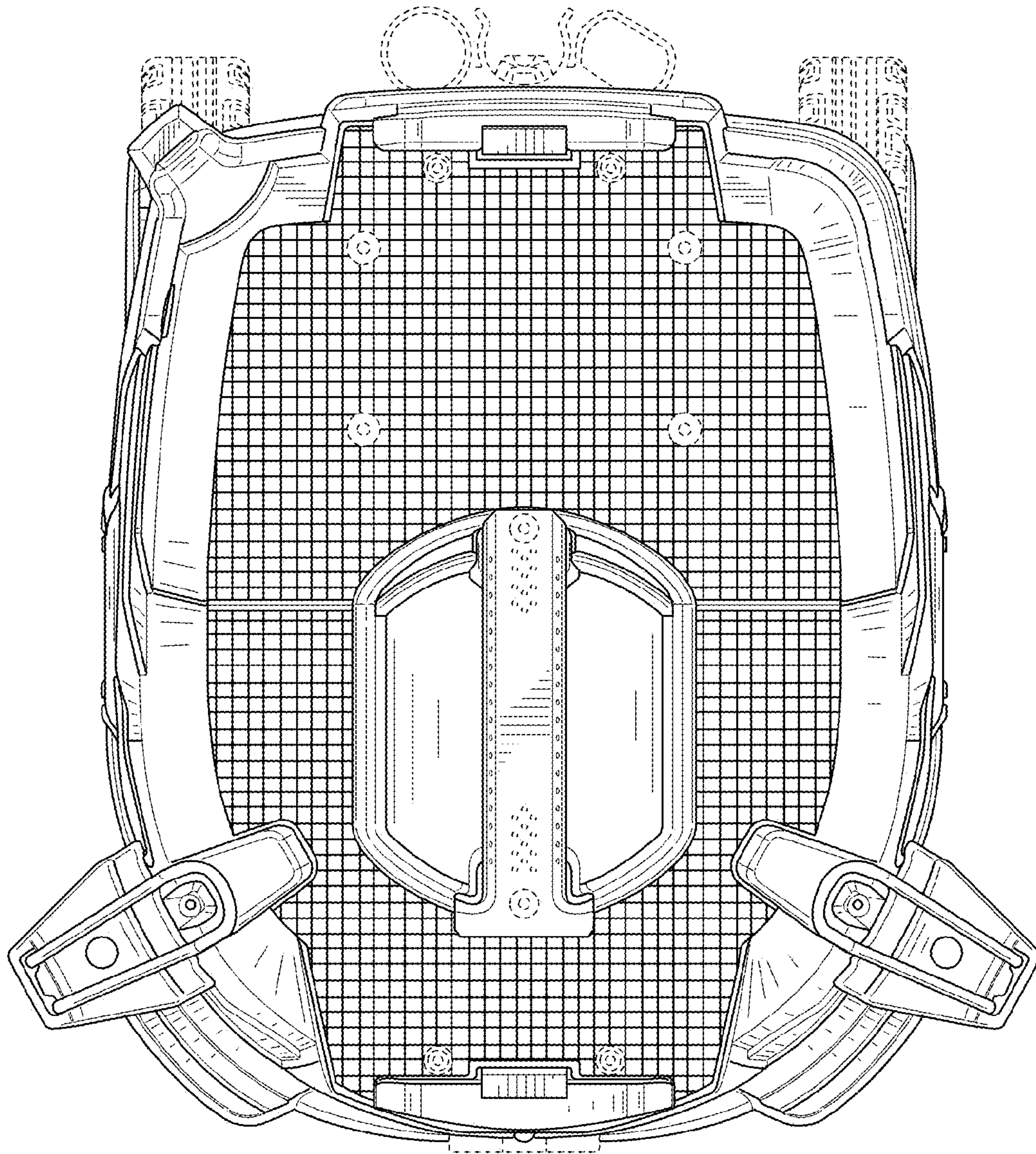


FIG. 5





**FIG. 6**