



US00D725327S

(12) **United States Design Patent**
Houghton

(10) **Patent No.:** **US D725,327 S**
(45) **Date of Patent:** **** Mar. 24, 2015**

- (54) **HAND VACUUM CLEANER**
- (71) Applicant: **Black & Decker Inc.**, Newark, DE (US)
- (72) Inventor: **Stephen Houghton**, Newcastle upon Tyne (GB)
- (73) Assignee: **Black & Decker Inc.**, Newark, DE (US)
- (**) Term: **14 Years**
- (21) Appl. No.: **29/493,238**
- (22) Filed: **Jun. 6, 2014**
- (30) **Foreign Application Priority Data**

Dec. 9, 2013 (CN) 2013 3 0626095

- (51) **LOC (10) Cl.** **15-05**
- (52) **U.S. Cl.**
USPC **D32/18**
- (58) **Field of Classification Search**
USPC D32/17, 18, 31, 21, 23-24; 15/344,
15/329, 347, 327.1, 327.2, 327.7,
15/352-353; 55/337, 429, 345, DIG. 3
See application file for complete search history.

(56) **References Cited**

U.S. PATENT DOCUMENTS

- D480,846 S * 10/2003 Ki D32/18
- D552,309 S * 10/2007 Houghton D32/18
- D569,059 S * 5/2008 Stratford D32/18

- 7,370,387 B2 * 5/2008 Walker et al. 15/344
- D595,017 S * 6/2009 Baxter et al. D32/18
- D640,021 S * 6/2011 Houghton D32/18
- D640,847 S * 6/2011 Houghton D32/18
- D640,848 S * 6/2011 Houghton D32/18
- D641,111 S * 7/2011 Houghton D32/18
- D648,083 S * 11/2011 Luyckx et al. D32/18
- D653,008 S * 1/2012 Houghton D32/18

* cited by examiner

Primary Examiner — Ruth McInroy

(74) *Attorney, Agent, or Firm* — John Yun

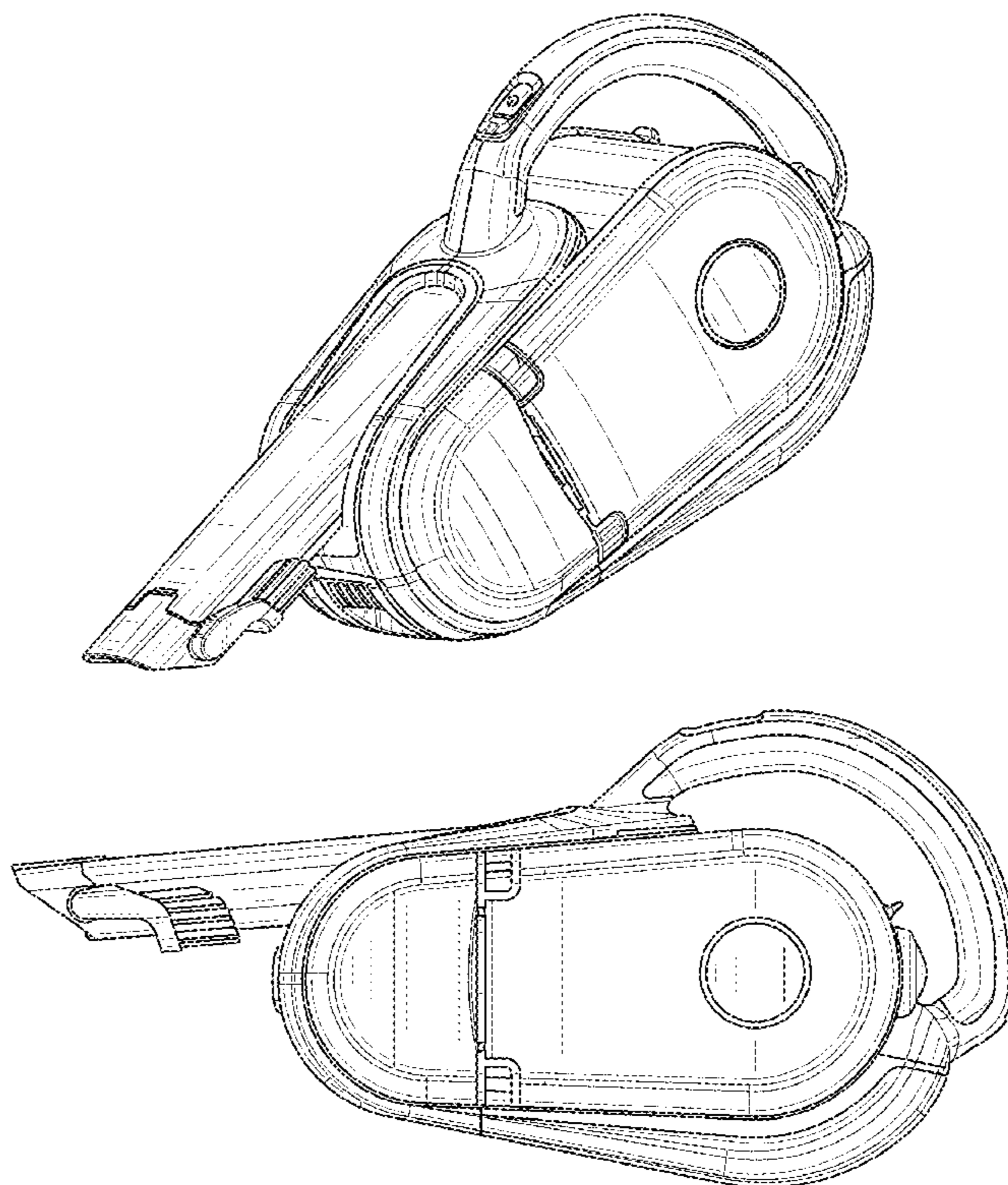
(57) **CLAIM**

The ornamental design for a hand vacuum cleaner, as shown and described.

DESCRIPTION

FIG. 1 is a front perspective view of a hand vacuum cleaner showing my new design;
 FIG. 2 is a rear perspective view thereof;
 FIG. 3 is a left side view thereof;
 FIG. 4 is a right side view thereof;
 FIG. 5 is a front view thereof;
 FIG. 6 is a rear view thereof;
 FIG. 7 is a bottom plan thereof; and,
 FIG. 8 is a top plan view thereof.
 The details shown in broken lines form no part of the claimed design.

1 Claim, 8 Drawing Sheets



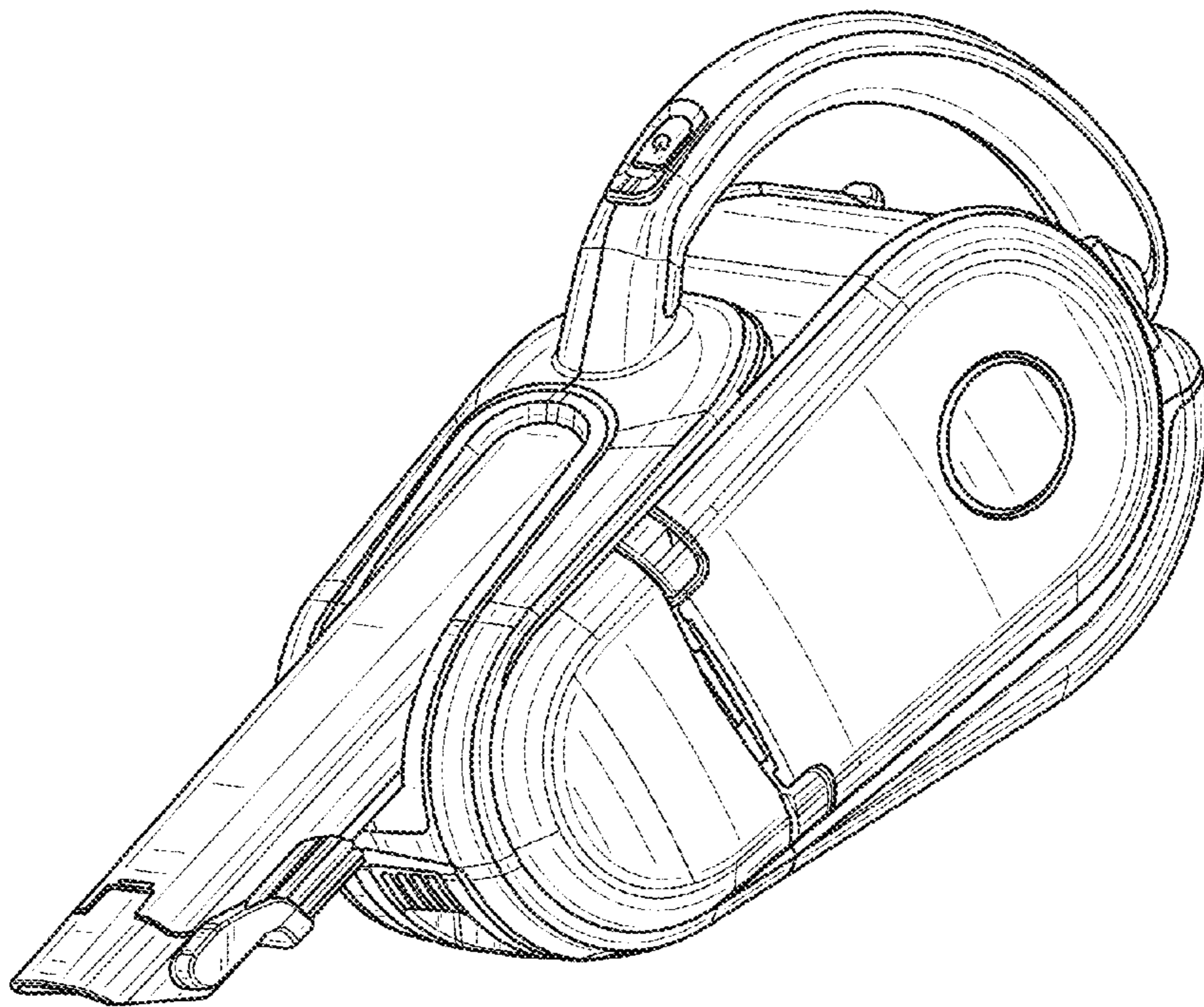


FIG. 1

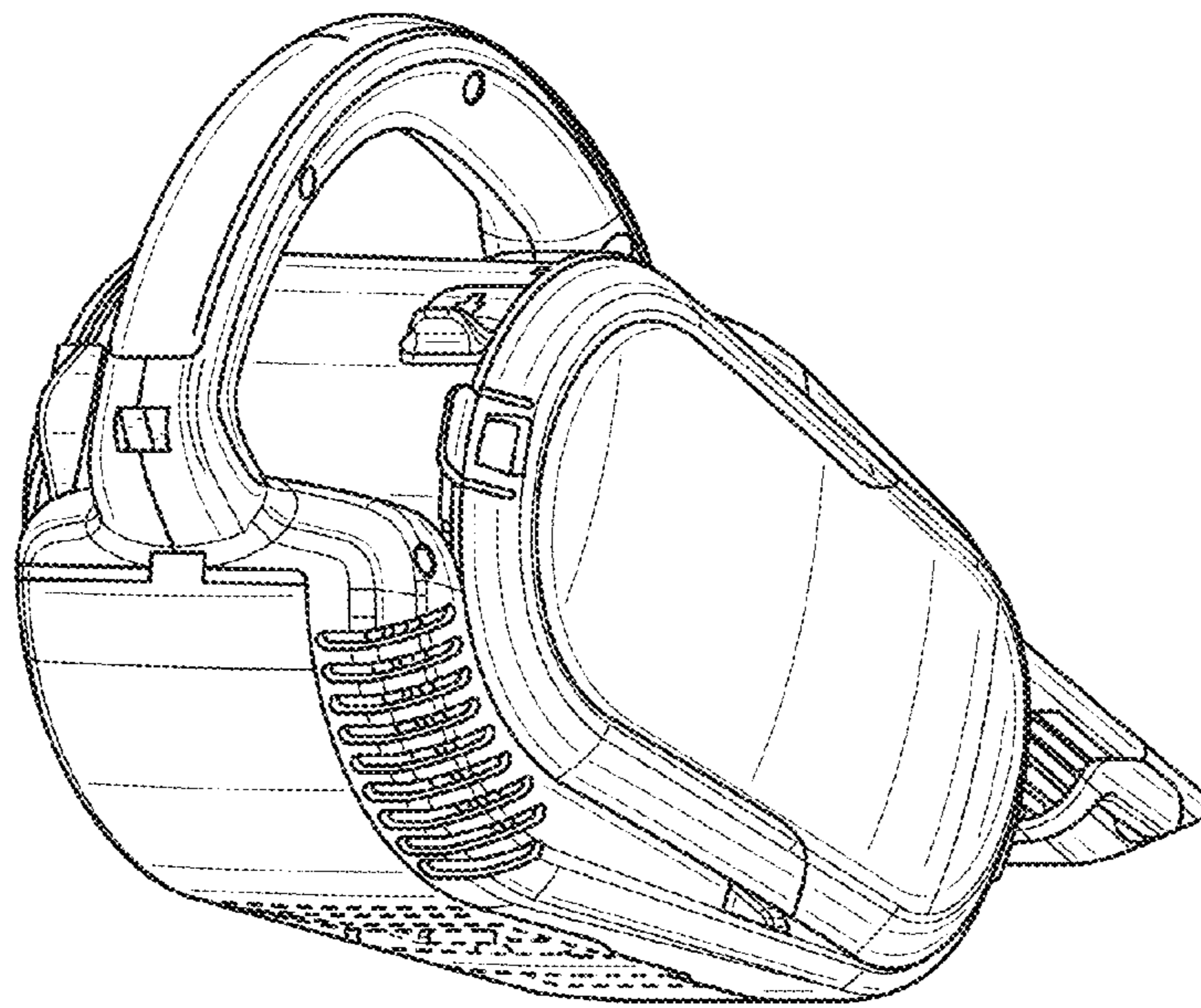


FIG. 2

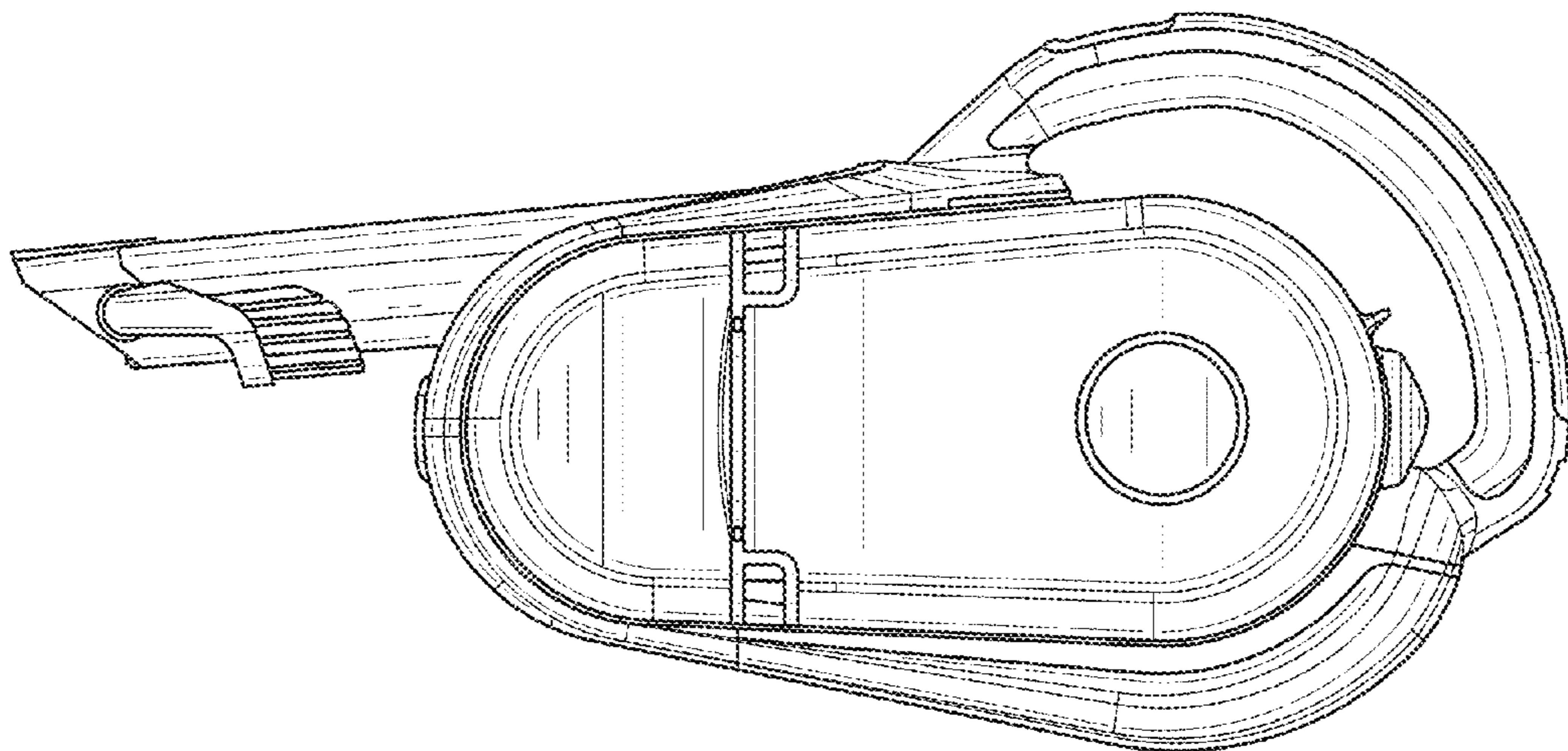


FIG. 3

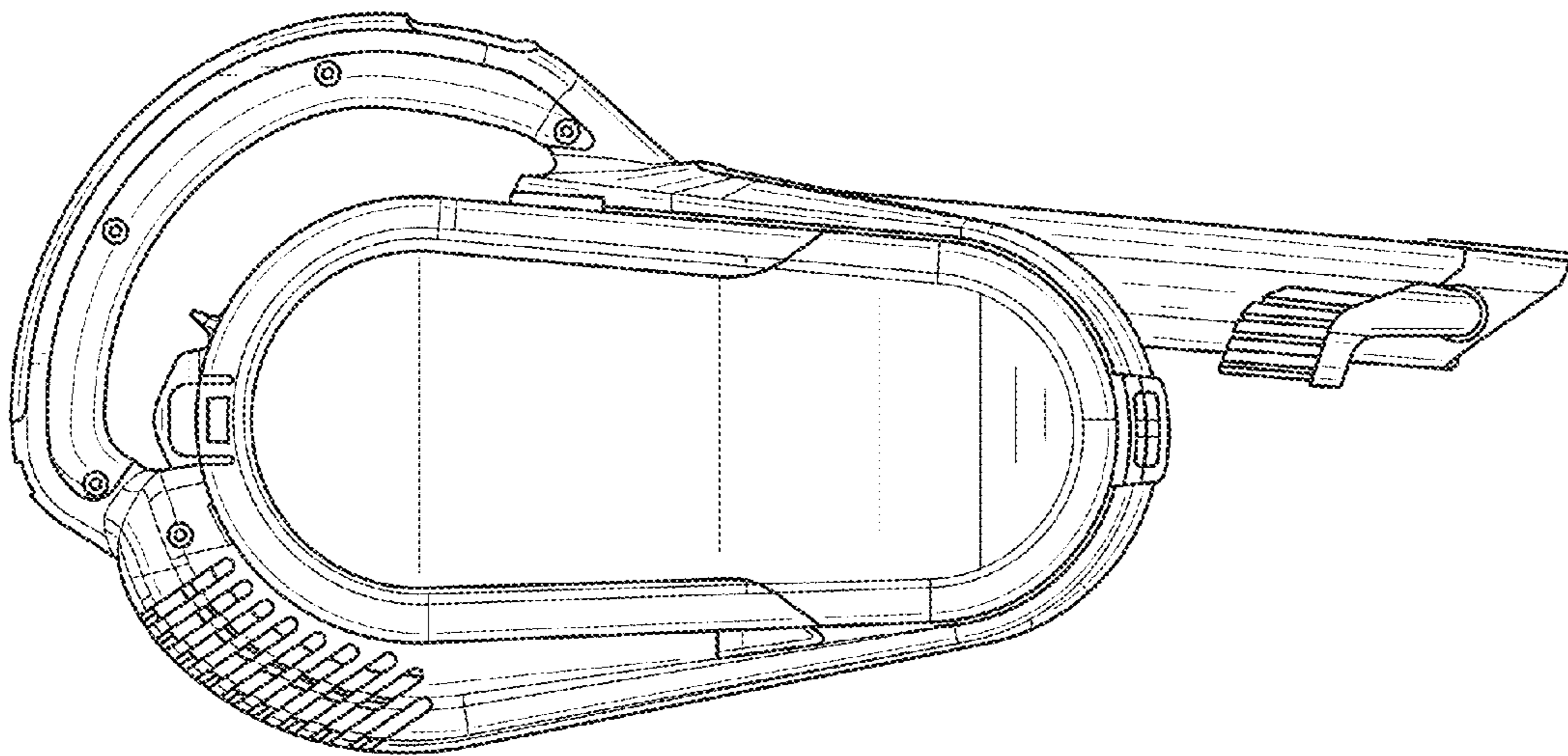


FIG. 4

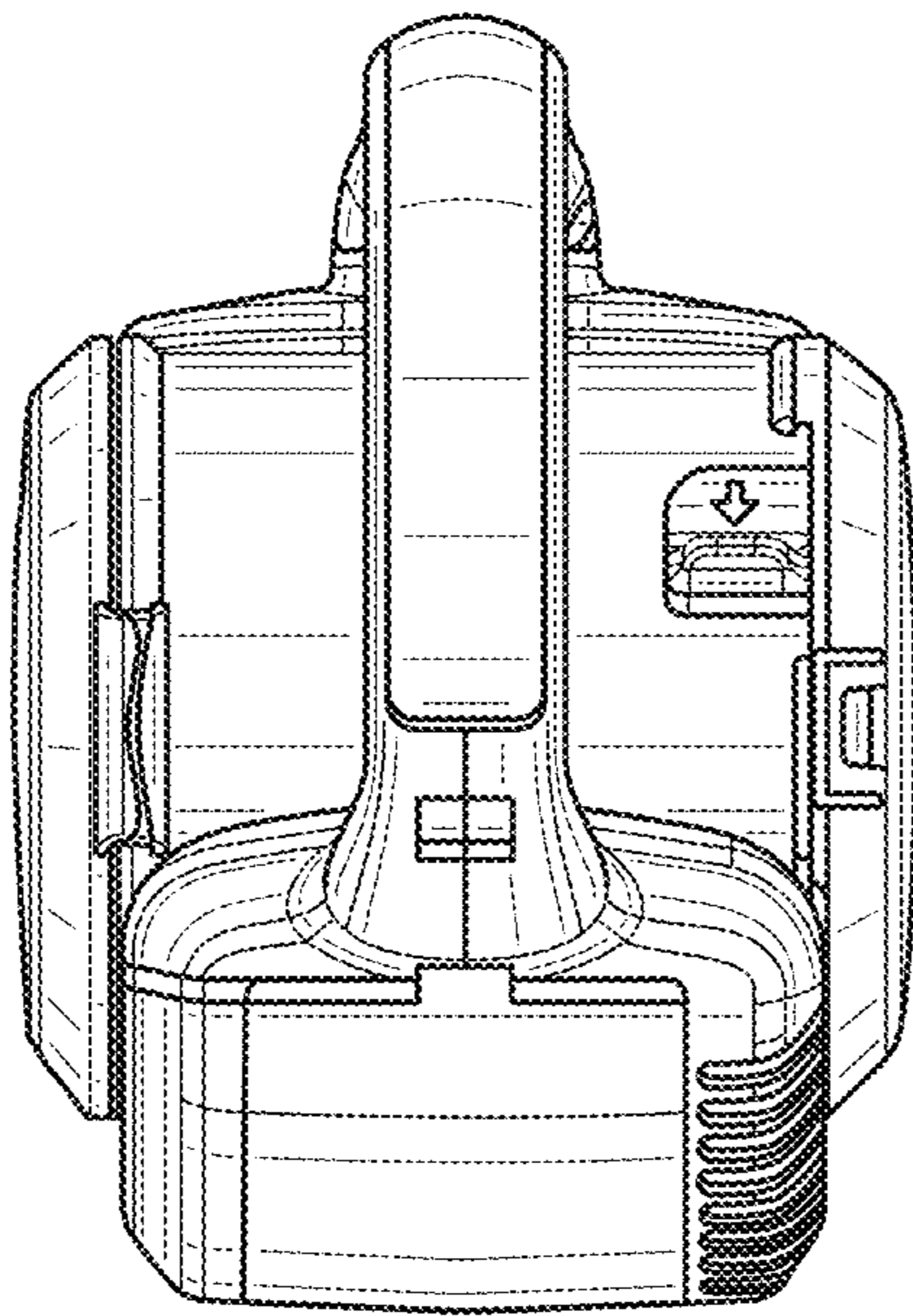


FIG. 5

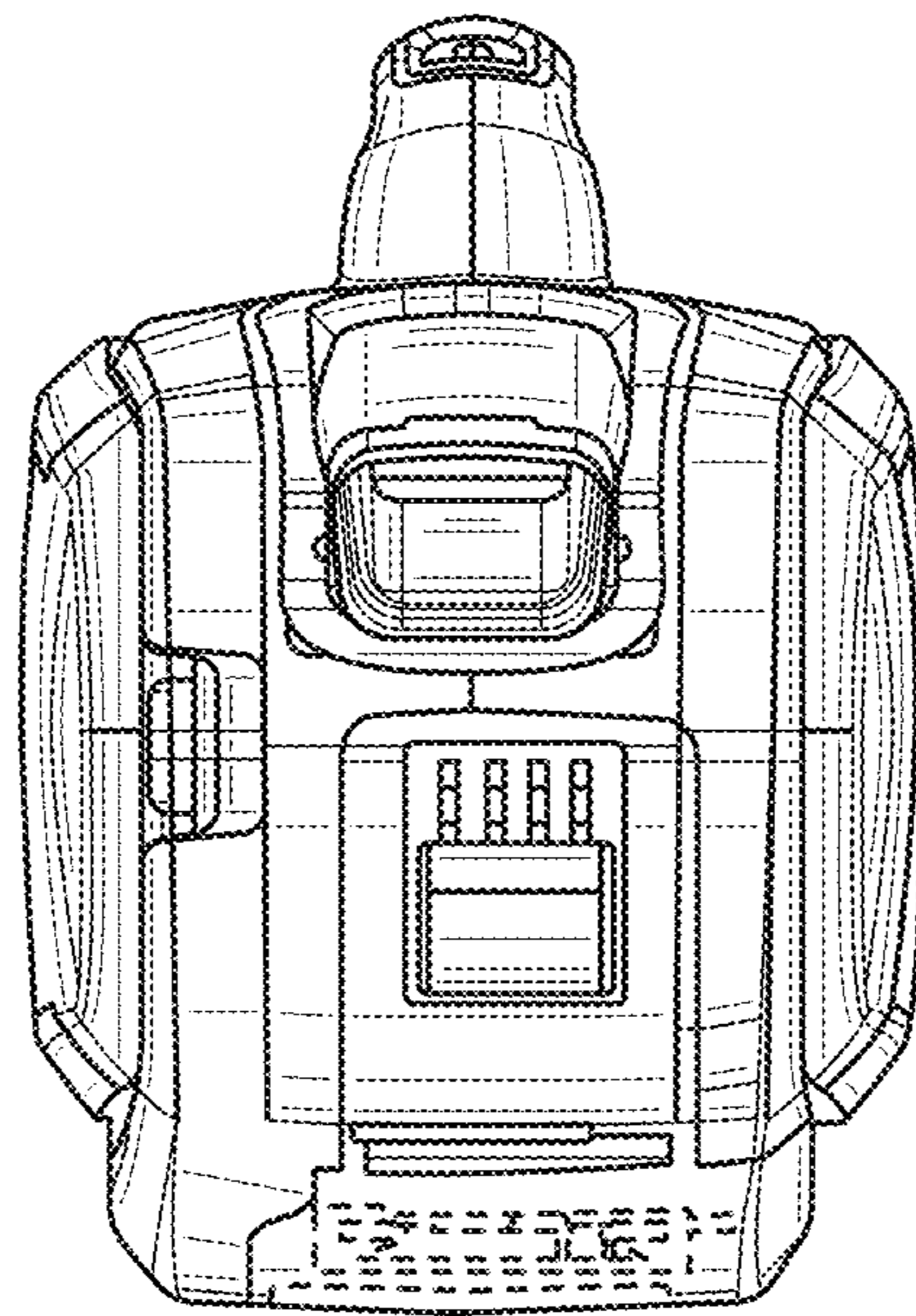


FIG. 6

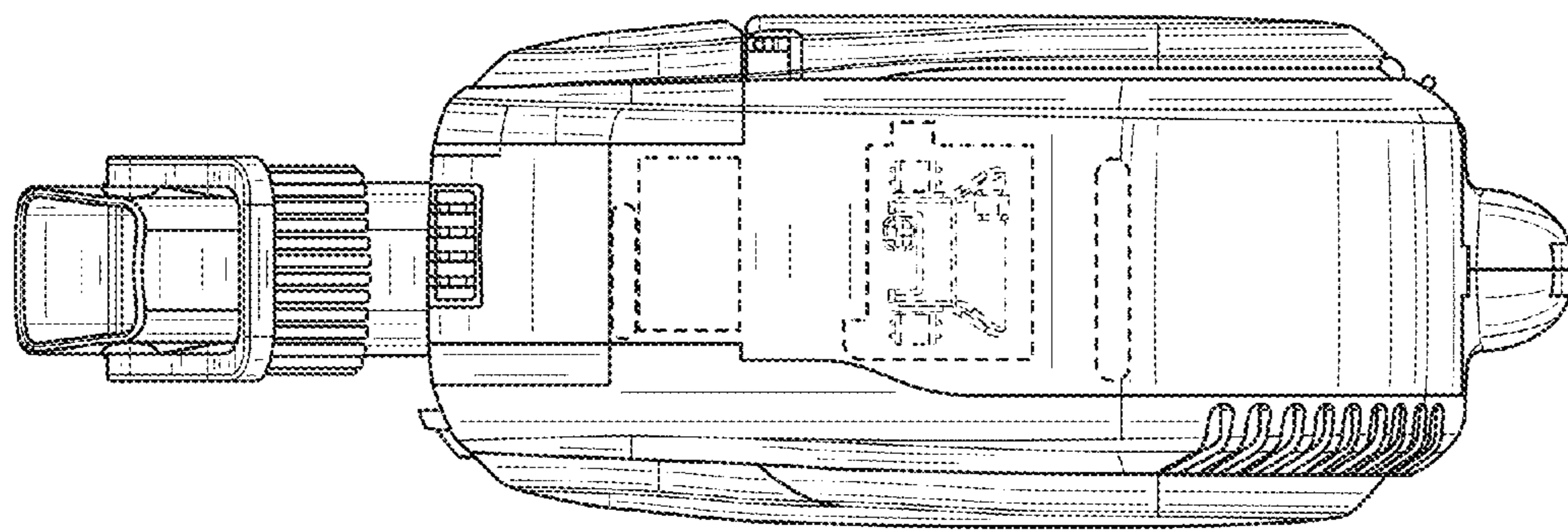


FIG. 7

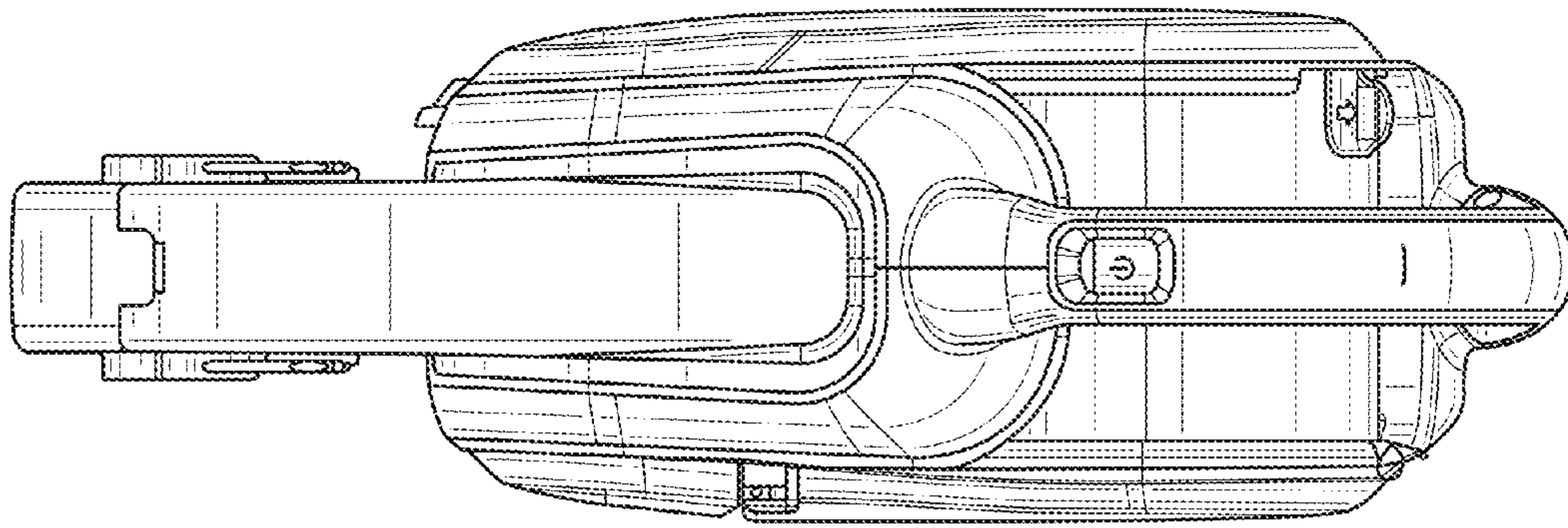


FIG. 8