



US00D725324S

(12) **United States Design Patent**
Schrick

(10) **Patent No.:** **US D725,324 S**
(45) **Date of Patent:** **** Mar. 24, 2015**

- (54) **INDOOR BARK CONTROL TRANSMITTER**
- (71) Applicant: **Radio Systems Corporation**, Knoxville, TN (US)
- (72) Inventor: **Steven M Schrick**, Lenoir City, TN (US)
- (73) Assignee: **Radio Systems Corporation**, Knoxville, TN (US)
- (**) Term: **14 Years**

D536,274	S	*	2/2007	Rosenblatt	D10/106.2
D600,582	S	*	9/2009	Treharne	D10/106.2
D622,685	S	*	8/2010	Garra et al.	D14/137
D630,388	S		1/2011	Lai		
D630,389	S		1/2011	Lai		
D638,403	S	*	5/2011	Hoehn	D14/215
D653,566	S	*	2/2012	Gonzales et al.	D10/81
RE43,740	E	*	10/2012	Karr	340/539.13
D669,232	S		10/2012	Chung et al.		
D677,438	S		3/2013	Miller et al.		
2005/0211187	A1	*	9/2005	Harman et al.	119/721
2010/0109878	A1	*	5/2010	Desrosiers	340/573.4
2011/0061605	A1	*	3/2011	Hardi et al.	119/721

- (21) Appl. No.: **29/476,892**
- (22) Filed: **Dec. 18, 2013**
- (51) **LOC (10) Cl.** **30-99**
- (52) **U.S. Cl.**
USPC **D30/199; D10/104.1**
- (58) **Field of Classification Search**
CPC A01K 15/00; A01K 15/04; A01K 15/21;
A01K 15/22; A01K 15/23; A01K 11/006;
A01K 27/001; A01K 27/009; H01H 9/0235
USPC D30/144, 145, 151, 152, 153, 155, 156,
D30/199; D10/104.1, 104.2, 106.2, 81;
D13/168; D14/137, 155, 159, 215,
D14/218, 240, 247; 119/712, 718, 719, 720,
119/721, 856, 859; 340/573.1, 573.3,
340/573.4, 539.13, 539.14, 539.15;
174/176, 188
See application file for complete search history.

OTHER PUBLICATIONS

U.S. Appl. No. 29/476,603, Radio Systems Corp.

* cited by examiner

Primary Examiner — Martie K Holtje

(74) *Attorney, Agent, or Firm* — Peter L. Brewer; Baker Donelson

(57) **CLAIM**

The ornamental design for an indoor bark control transmitter, as shown and described.

DESCRIPTION

This application is related to a separate design patent application being filed on the same date and having the same title. FIG. 1 is a perspective view showing my new design for a bark control transmitter.

FIG. 2 is a front elevational view thereof.

FIG. 3 is a rear elevational view thereof.

FIG. 4 is a right side elevational view thereof.

FIG. 5 is a left side elevational view thereof.

FIG. 6 is a top plan view thereof; and,

FIG. 7 is a bottom plan view thereof.

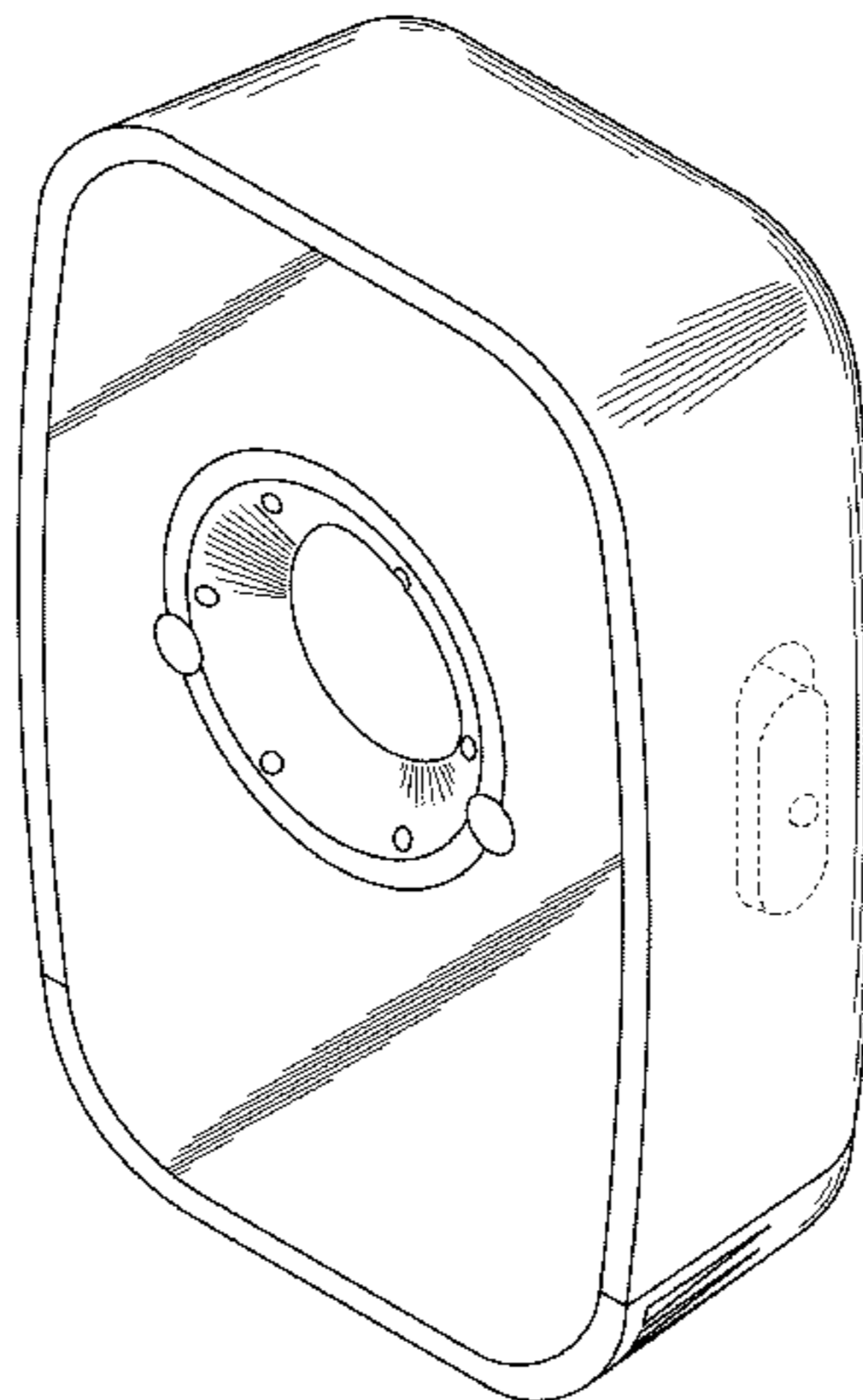
The structural features shown in broken lines have been shown for the purpose of illustrating portions of the indoor bark control transmitter that form no part of the claimed design.

1 Claim, 4 Drawing Sheets

(56) **References Cited**

U.S. PATENT DOCUMENTS

D317,065	S	*	5/1991	Greene	D30/156
D369,753	S	*	5/1996	Baril	D10/104.1
5,603,287	A	*	2/1997	Houck	119/719
D407,032	S	*	3/1999	McDonald	D10/104.1
D440,509	S	*	4/2001	Greene	D30/199
D483,281	S	*	12/2003	Cobigo	D10/104.1
D496,653	S	*	9/2004	Townsend et al.	D14/240
D500,305	S	*	12/2004	Lin et al.	D14/215
7,111,586	B2	*	9/2006	Lee et al.	119/719



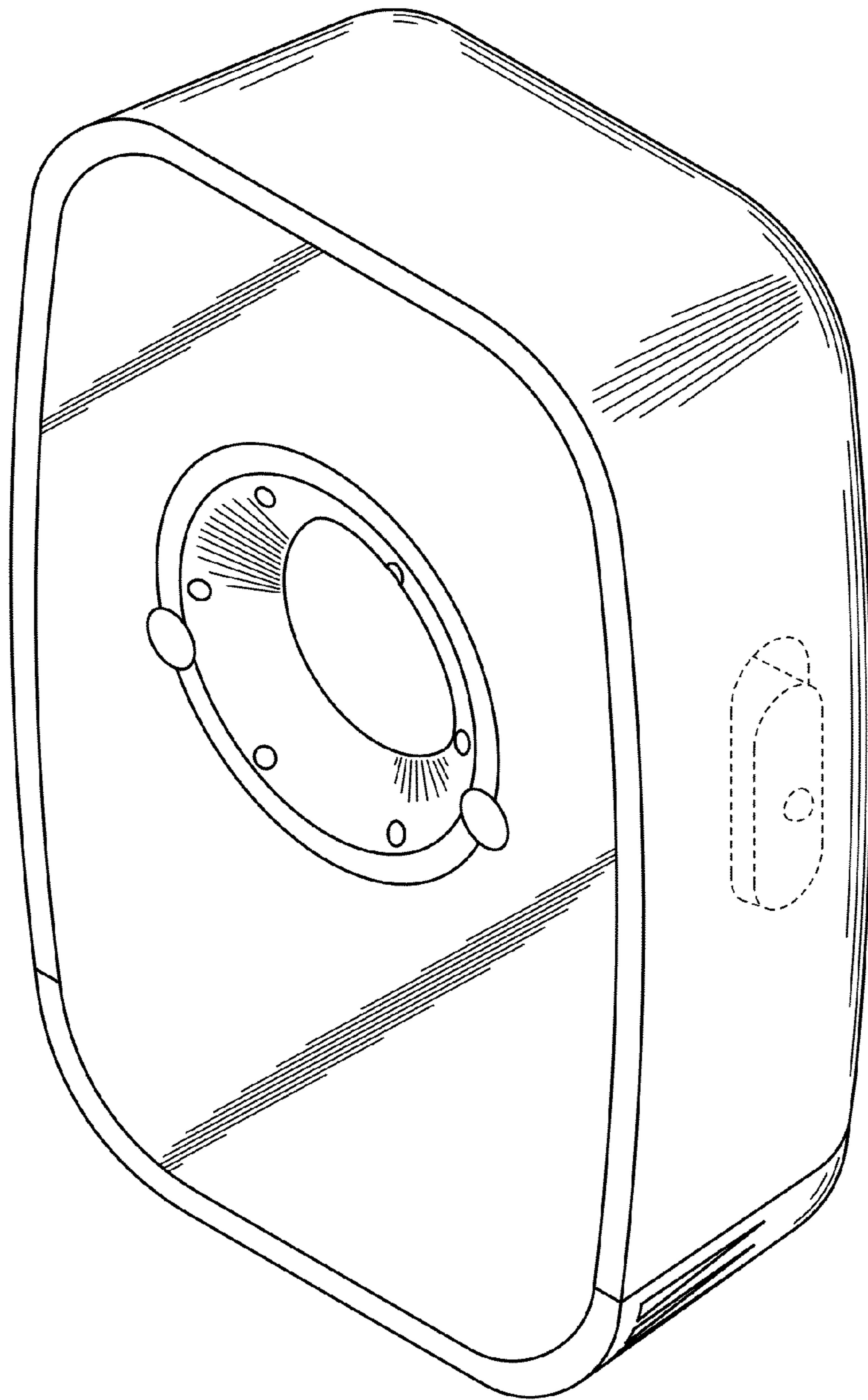


FIG. 1

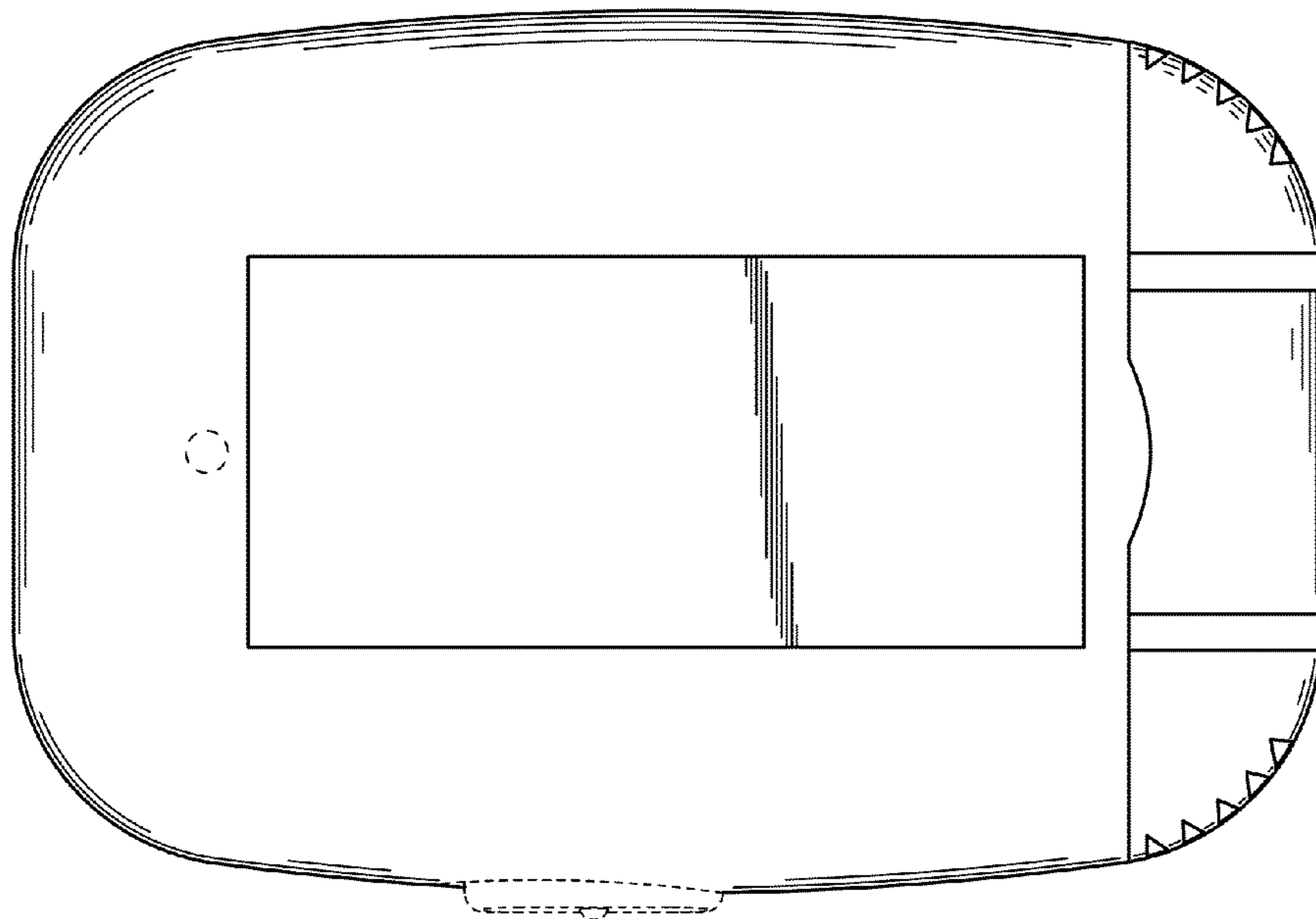


FIG. 3

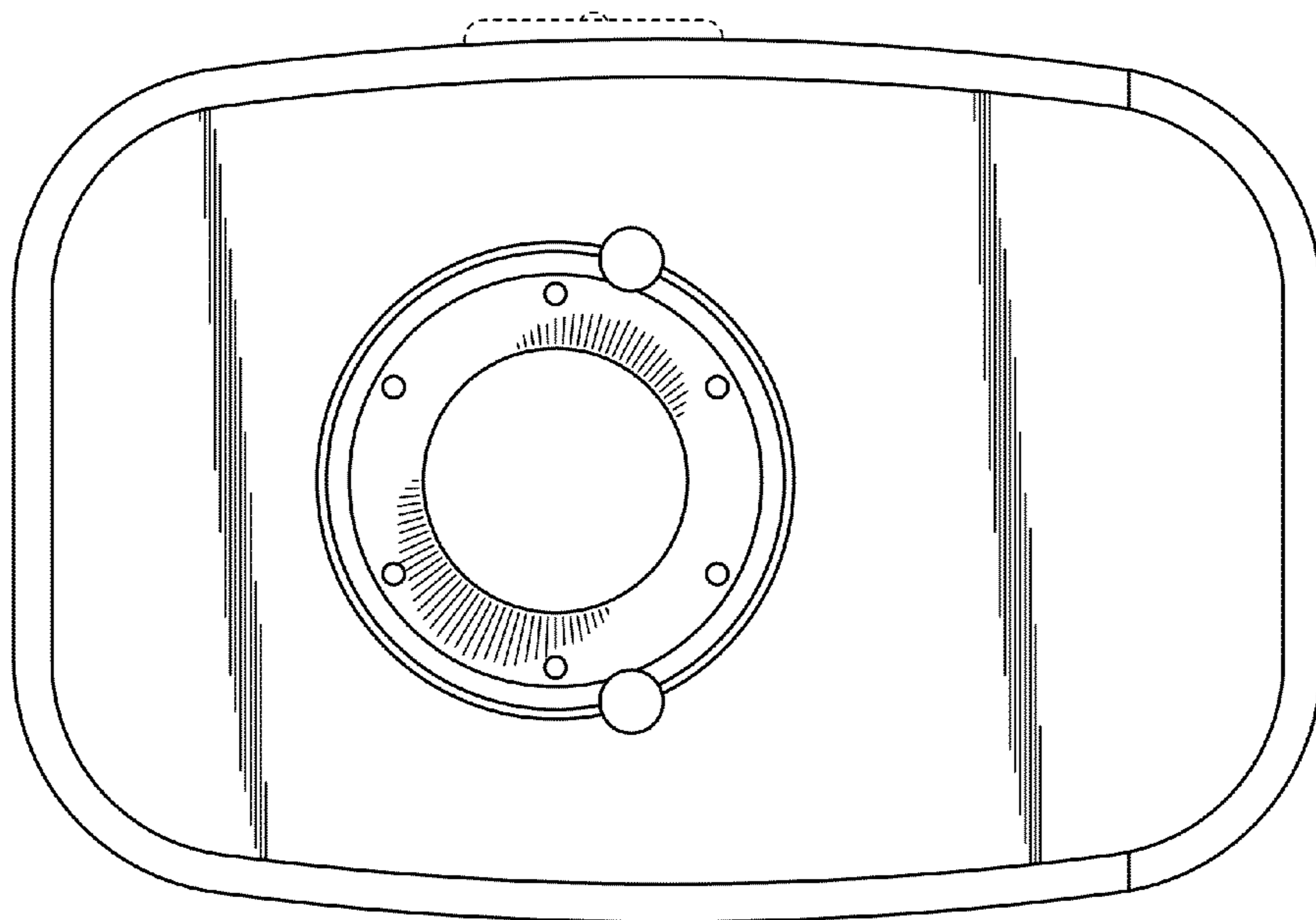


FIG. 2

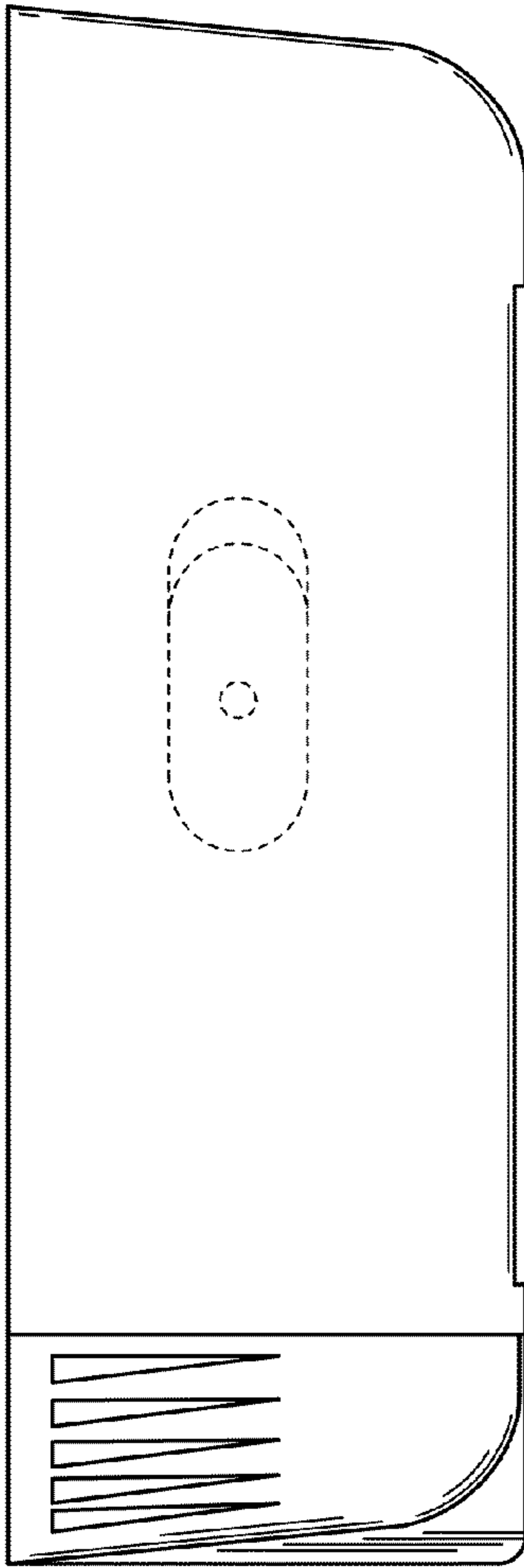


FIG. 4

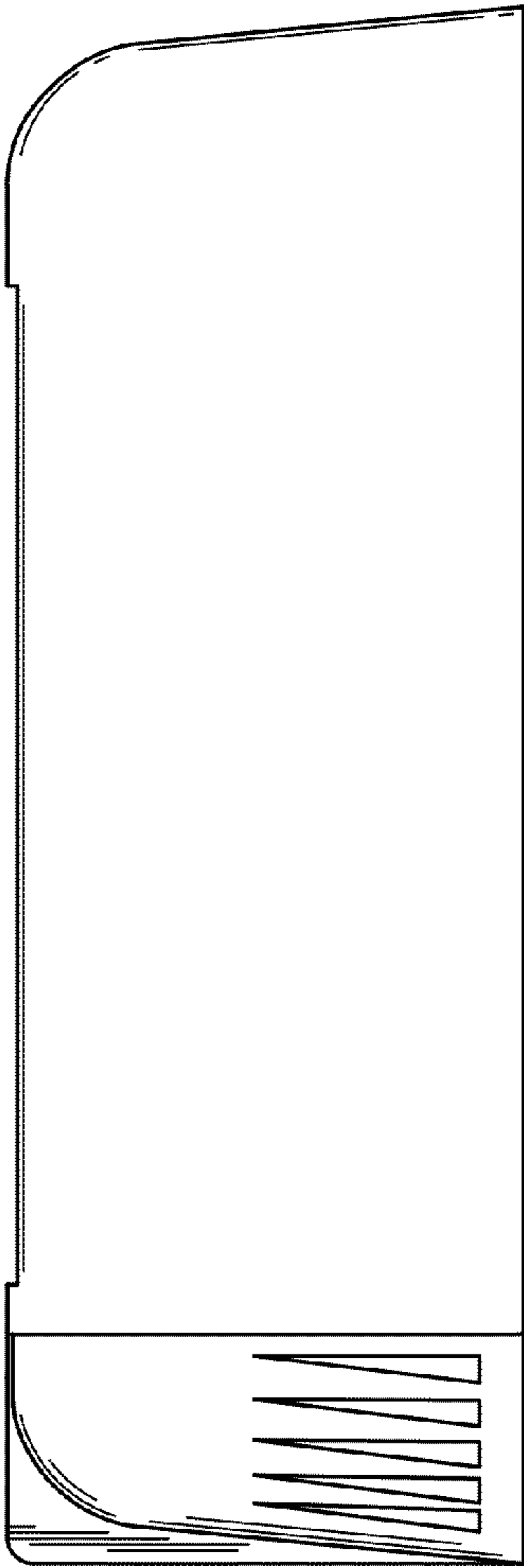


FIG. 5

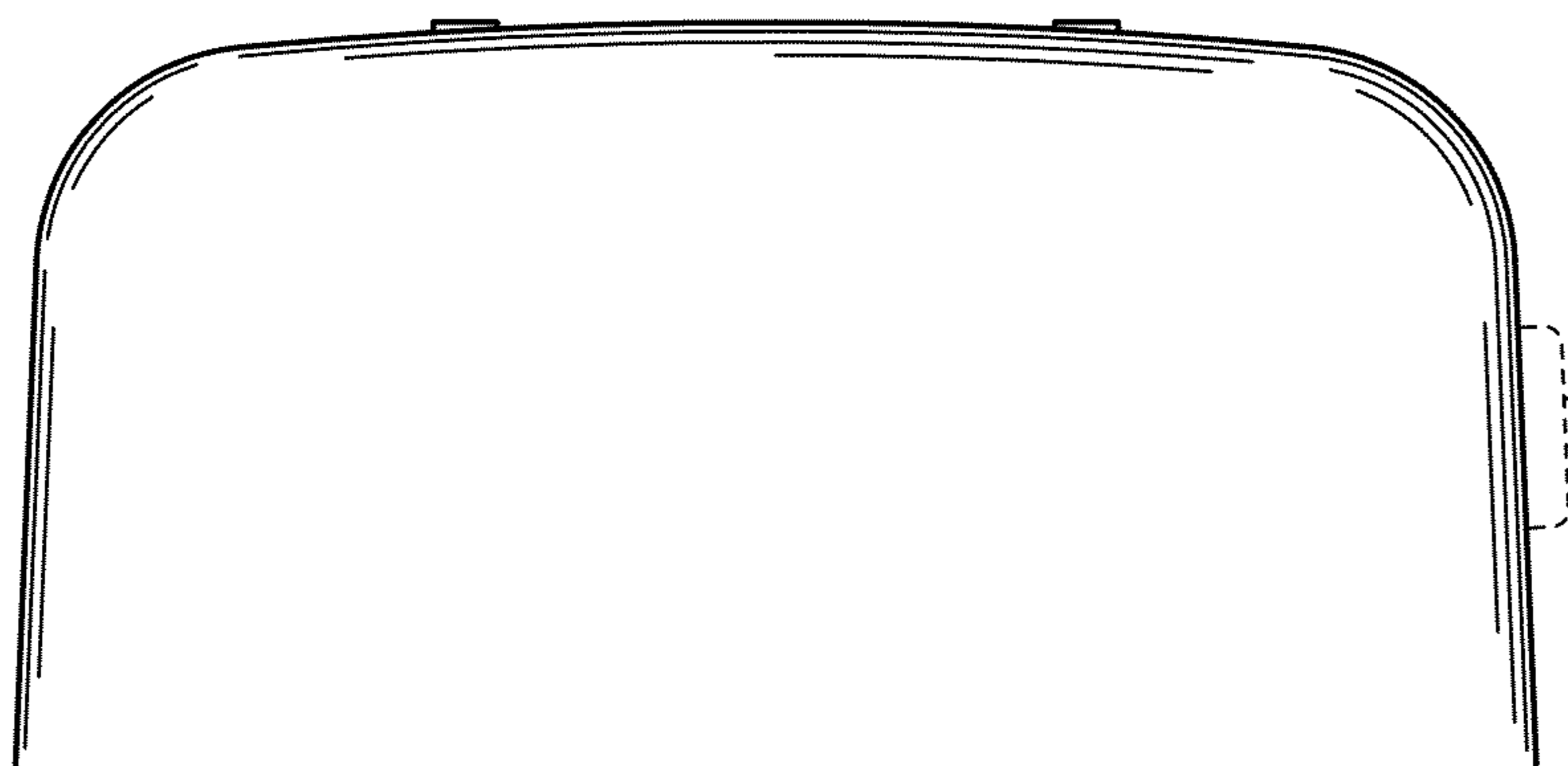


FIG. 6

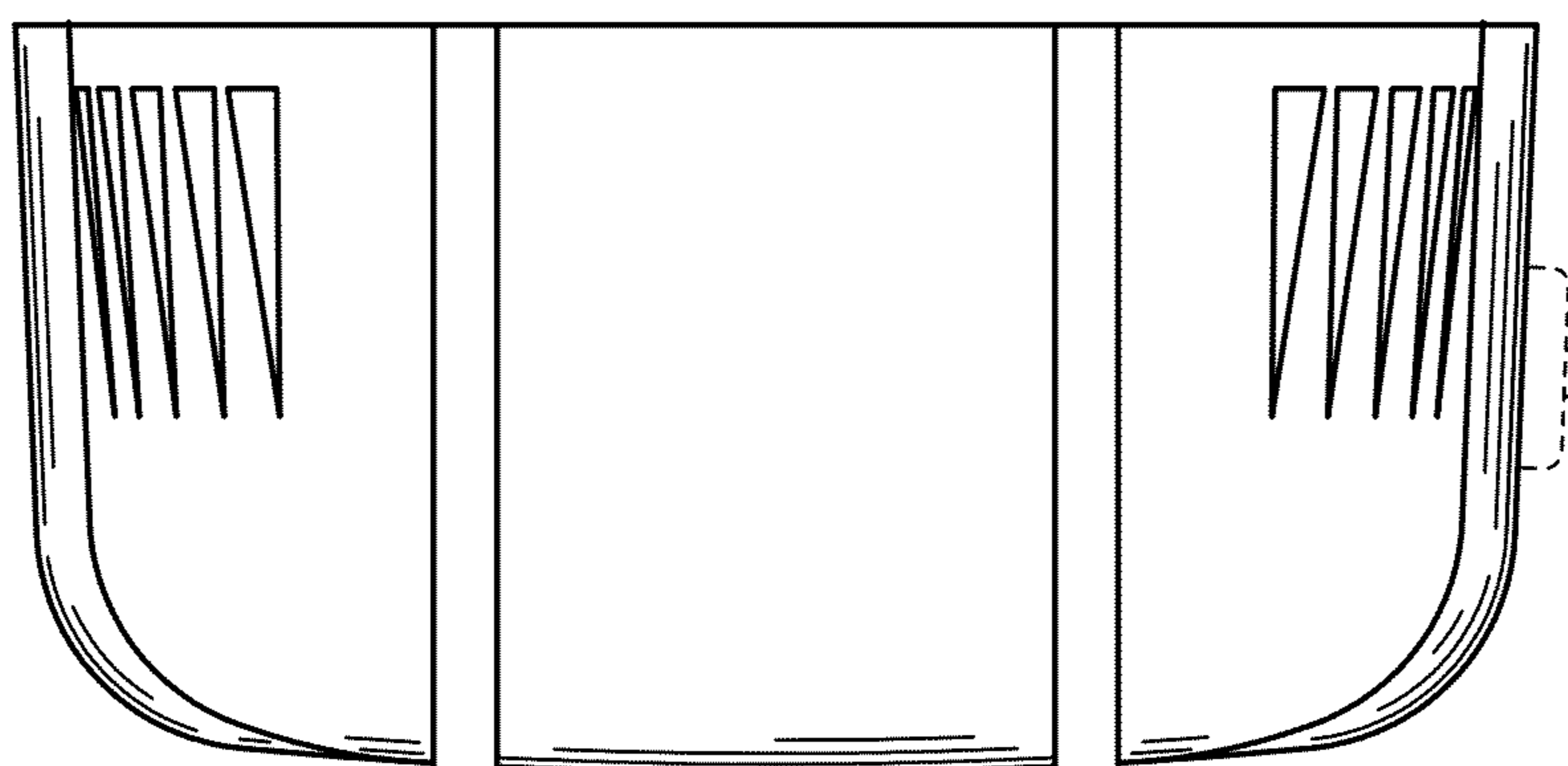


FIG. 7