



US00D725321S

(12) **United States Design Patent**
Olson

(10) **Patent No.:** **US D725,321 S**

(45) **Date of Patent:** **** Mar. 24, 2015**

- (54) **ANIMAL LITTER BOX**
- (71) Applicant: **Kristin L. Olson**, Bennett, CO (US)
- (72) Inventor: **Kristin L. Olson**, Bennett, CO (US)
- (**) Term: **14 Years**
- (21) Appl. No.: **29/490,068**
- (22) Filed: **May 6, 2014**
- (51) **LOC (10) Cl.** **30-99**
- (52) **U.S. Cl.**
USPC **D30/161**
- (58) **Field of Classification Search**
USPC D30/161, 108-109, 112, 118; D7/545,
D7/554.3; 119/161, 163-165, 167-170,
119/166, 28.5
See application file for complete search history.

- D300,966 S 5/1989 Conner
- D300,967 S 5/1989 Conner
- D300,968 S 5/1989 Conner
- D307,495 S * 4/1990 Logan, Jr. D30/108
- D308,589 S 6/1990 Shay
- D309,050 S 7/1990 Wolak
- D310,587 S 9/1990 Hinson
- D310,588 S 9/1990 Valinsky
- D310,740 S 9/1990 Mannschreck
- D311,713 S 10/1990 McAfee et al.
- D311,795 S 10/1990 Mannschreck
- D312,897 S 12/1990 Splane
- D313,292 S 12/1990 Elrod
- D314,650 S 2/1991 Pudwill
- D318,152 S 7/1991 Pudwill

(Continued)

Primary Examiner — Cathy A MacCormac
(74) *Attorney, Agent, or Firm* — Kutak Rock LLP; Neil L. Arney

(57) **CLAIM**
The ornamental design for an animal litter box, as shown and described.

(56) **References Cited**

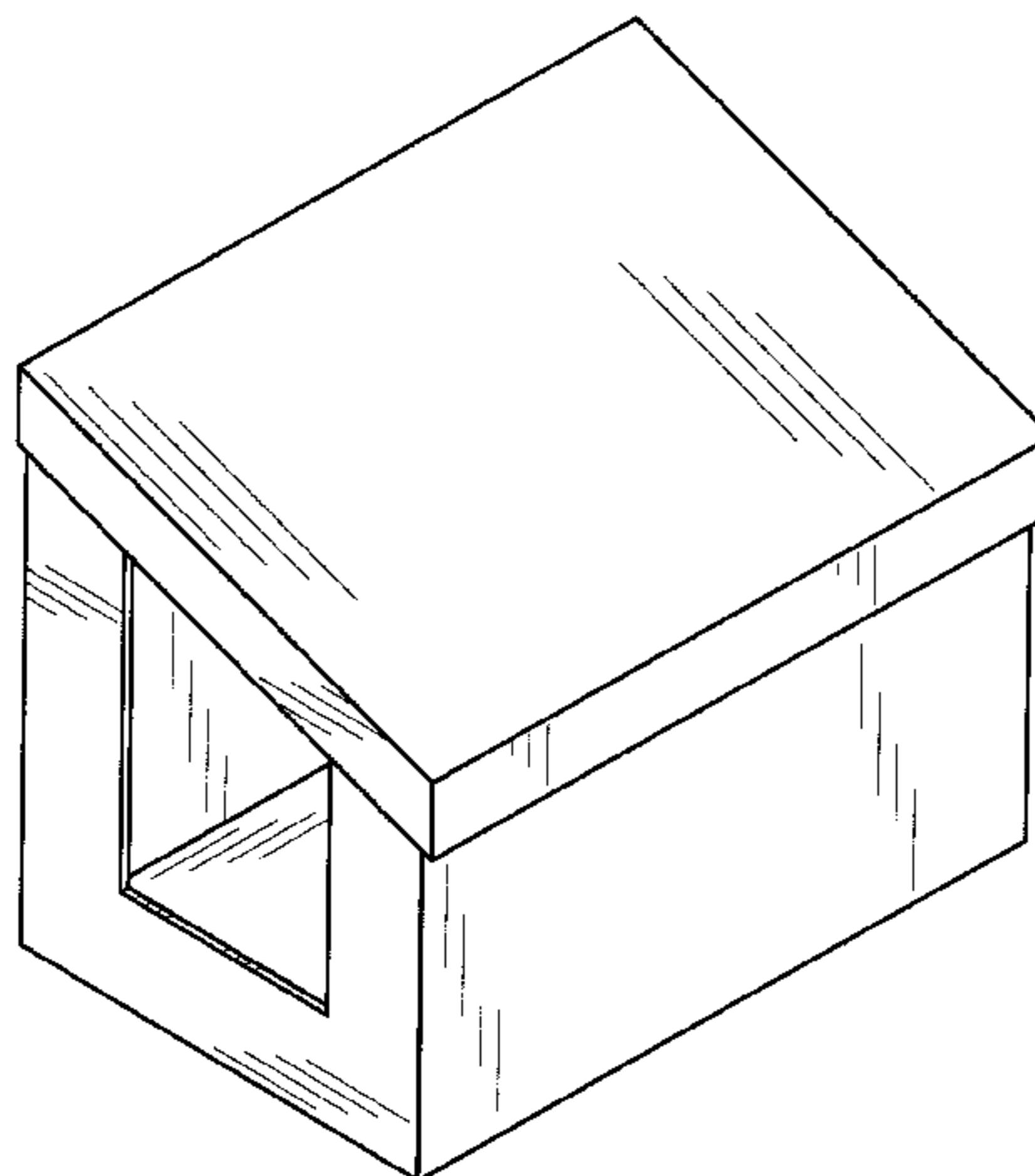
U.S. PATENT DOCUMENTS

- D245,191 S 7/1977 Gore
- D246,392 S 11/1977 Smith
- D246,496 S 11/1977 Weckwerth
- D248,333 S 6/1978 Haugen
- D250,051 S 10/1978 Spinks
- D257,406 S 10/1980 Ouellette
- D264,261 S 5/1982 Durocher
- 4,352,340 A 10/1982 Strubelt
- D268,058 S 2/1983 Kinnebrew, IV
- D269,725 S 7/1983 Cooke et al.
- D272,198 S 1/1984 Webb et al.
- D272,569 S 2/1984 Argentine et al.
- D273,718 S 5/1984 Dugan
- D276,752 S 12/1984 Kinzie
- D280,458 S 9/1985 Bryce
- D286,694 S 11/1986 O'Rourke
- D288,253 S 2/1987 Hatton et al.
- D289,574 S 4/1987 Stinner
- D292,035 S 9/1987 Aksamit
- D294,184 S * 2/1988 Arthur, II D30/108
- D298,672 S 11/1988 Herbst
- D300,965 S 5/1989 Conner

DESCRIPTION

FIG. 1 is a front perspective view of an animal litter box showing my new design.
FIG. 2 is an exploded front perspective view of an animal litter box showing my new design.
FIG. 3 is a front view of an animal litter box showing my new design.
FIG. 4 is a rear view of an animal litter box showing my new design.
FIG. 5 is a right-side view of an animal litter box showing my new design.
FIG. 6 is a left-side view of an animal litter box showing my new design.
FIG. 7 is a top view of an animal litter box showing my new design; and,
FIG. 8 is a bottom view of an animal litter box showing my new design.

1 Claim, 6 Drawing Sheets



(56)

References Cited

U.S. PATENT DOCUMENTS

D319,117 S	8/1991	Goetz	D493,263 S	7/2004	Miller et al.
D324,749 S	3/1992	Bray	D496,501 S	9/2004	Walter et al.
D331,649 S	12/1992	Saja	D497,691 S	10/2004	Hardt
D331,824 S	12/1992	Haas	D498,025 S	11/2004	Tessier et al.
D331,990 S	12/1992	Burson	D501,584 S	2/2005	Abajian
D332,675 S	1/1993	Simon	D501,962 S	2/2005	Neves
D340,323 S	10/1993	Wagner	6,848,394 B1	2/2005	Sexton
D342,360 S	12/1993	Ticknor	6,851,386 B2	2/2005	Northrop
D345,635 S	3/1994	Casmira	D502,576 S	3/2005	Miller et al.
D346,677 S	5/1994	Casmira	D506,954 S	7/2005	Lara
D346,887 S	5/1994	Desveaux	D512,542 S	12/2005	Northrop et al.
D347,304 S	5/1994	Hellem	D513,817 S	1/2006	Miller et al.
D351,694 S	10/1994	Evans	D514,754 S	2/2006	Northrop et al.
D358,008 S	5/1995	Keller et al.	7,011,042 B2	3/2006	Martello et al.
D361,175 S	8/1995	VanSkiver	7,059,272 B2 *	6/2006	Helou 119/168
D361,649 S	8/1995	De La Chevrotiere	D524,492 S	7/2006	Wan et al.
D364,944 S	12/1995	Blaine	D526,748 S	8/2006	Van Skiver
D364,945 S	12/1995	Smothers et al.	D527,498 S	8/2006	Lewis, II
D366,543 S	1/1996	Lopes	7,082,892 B1	8/2006	Fraser et al.
D368,003 S	3/1996	Simon	D528,252 S	9/2006	Van Skiver et al.
D370,094 S	5/1996	Kohus	D530,458 S	10/2006	Arnim
D370,095 S	5/1996	Siler	D534,321 S	12/2006	Simpson et al.
D370,316 S	5/1996	Merino	D534,695 S	1/2007	Van Skiver
D370,317 S	5/1996	Kohus	7,198,006 B2	4/2007	Fischer
D371,657 S	7/1996	Kirn et al.	D541,995 S	5/2007	Wan
D372,565 S	8/1996	Rice	D554,304 S	10/2007	Gozalbo-Moragrega
D372,813 S	8/1996	Walter	D556,955 S	12/2007	Hanks
D373,663 S	9/1996	Walter	D557,867 S	12/2007	Northrop
5,582,135 A *	12/1996	Bellows 119/168	D563,072 S	2/2008	Zeanah
D377,246 S	1/1997	Clenney	D564,718 S	3/2008	Meyer
D377,549 S	1/1997	Long et al.	D579,158 S	10/2008	Gillis et al.
D378,451 S	3/1997	Schmidt	D591,463 S	4/2009	Plante
D381,136 S	7/1997	Savicki	D601,312 S	9/2009	Pettys
D383,262 S	9/1997	Benwell	D601,313 S	9/2009	Kim
D384,462 S	9/1997	Fox et al.	D602,667 S	10/2009	Barbieri
D388,560 S	12/1997	Savicki	D603,112 S	10/2009	Pergolski
D388,912 S	1/1998	Hurst et al.	D605,369 S	12/2009	Petersen
D392,076 S	3/1998	Goemans	D608,959 S	1/2010	Kim
D393,111 S	3/1998	Herber	D608,967 S	1/2010	Ciocchini
D398,088 S	9/1998	Angier	D612,113 S	3/2010	Petersen
D399,613 S	10/1998	O'Rourke et al.	D612,553 S	3/2010	Stetelman
D400,318 S	10/1998	Lucas	D612,554 S	3/2010	Seager et al.
D408,949 S	4/1999	Queen	D615,250 S	5/2010	Temperino
D410,575 S	6/1999	Meier	D616,617 S	5/2010	Cirincione et al.
D413,416 S	8/1999	Frank	7,762,213 B2	7/2010	Cook et al.
D421,161 S	2/2000	Rogers	D622,912 S	8/2010	Kanigchular
D421,167 S	2/2000	Bacon et al.	D622,913 S	8/2010	Schroeder et al.
D421,515 S	3/2000	Slear	D623,807 S	9/2010	Teren
D421,823 S	3/2000	Meier	D624,252 S	9/2010	Hertz
D421,824 S	3/2000	Hornyak	D625,057 S	10/2010	Teper et al.
D424,769 S	5/2000	Hornyak	D635,726 S	4/2011	Lawson et al.
D425,674 S	5/2000	Dykens	D636,545 S	4/2011	Lawson et al.
D426,684 S	6/2000	Kenney	D636,950 S	4/2011	Lawson et al.
6,135,057 A	10/2000	Cummings	D636,960 S	4/2011	Duvigneau
D433,544 S	11/2000	Nesbit-Yontz	D636,961 S	4/2011	Duvigneau
D435,149 S	12/2000	Kleinberg	D638,590 S	5/2011	Lipscomb et al.
6,237,534 B1	5/2001	Schwartz	D639,000 S	5/2011	Weber
D453,243 S	1/2002	Burke	D643,986 S	8/2011	Soto et al.
D453,865 S	2/2002	Ross	D643,987 S	8/2011	Soto et al.
6,378,461 B1	4/2002	Thaler et al.	D646,444 S	10/2011	Lawson et al.
D463,887 S	10/2002	Walter et al.	D651,772 S	1/2012	Weber
D466,666 S	12/2002	Vize	D660,524 S	5/2012	Wedding
D468,493 S	1/2003	Chase-Gilpin	D663,081 S	7/2012	Chance et al.
6,523,495 B1	2/2003	Rydman	D664,312 S	7/2012	Bizzle
D473,351 S	4/2003	Critchley	D677,012 S	2/2013	Duvigneau
D478,695 S	8/2003	Molloy	D678,632 S	3/2013	Chance et al.
D479,370 S	9/2003	Neves	D679,461 S	4/2013	Chance et al.
6,662,748 B1	12/2003	Hanks	D684,733 S	6/2013	Altoon
D485,405 S	1/2004	Vize	D685,147 S	6/2013	Muir
D486,756 S	2/2004	Mondigo et al.	D685,148 S	6/2013	Khalili
D488,277 S	4/2004	Ciocchini	D685,539 S	7/2013	McPherson
D488,890 S	4/2004	Radde	D690,059 S	9/2013	Robbins
D491,700 S	6/2004	Abajian	D691,335 S	10/2013	Zettlemoyer
			8,607,738 B2	12/2013	Wilson
			D699,407 S	2/2014	Sikora et al.

* cited by examiner

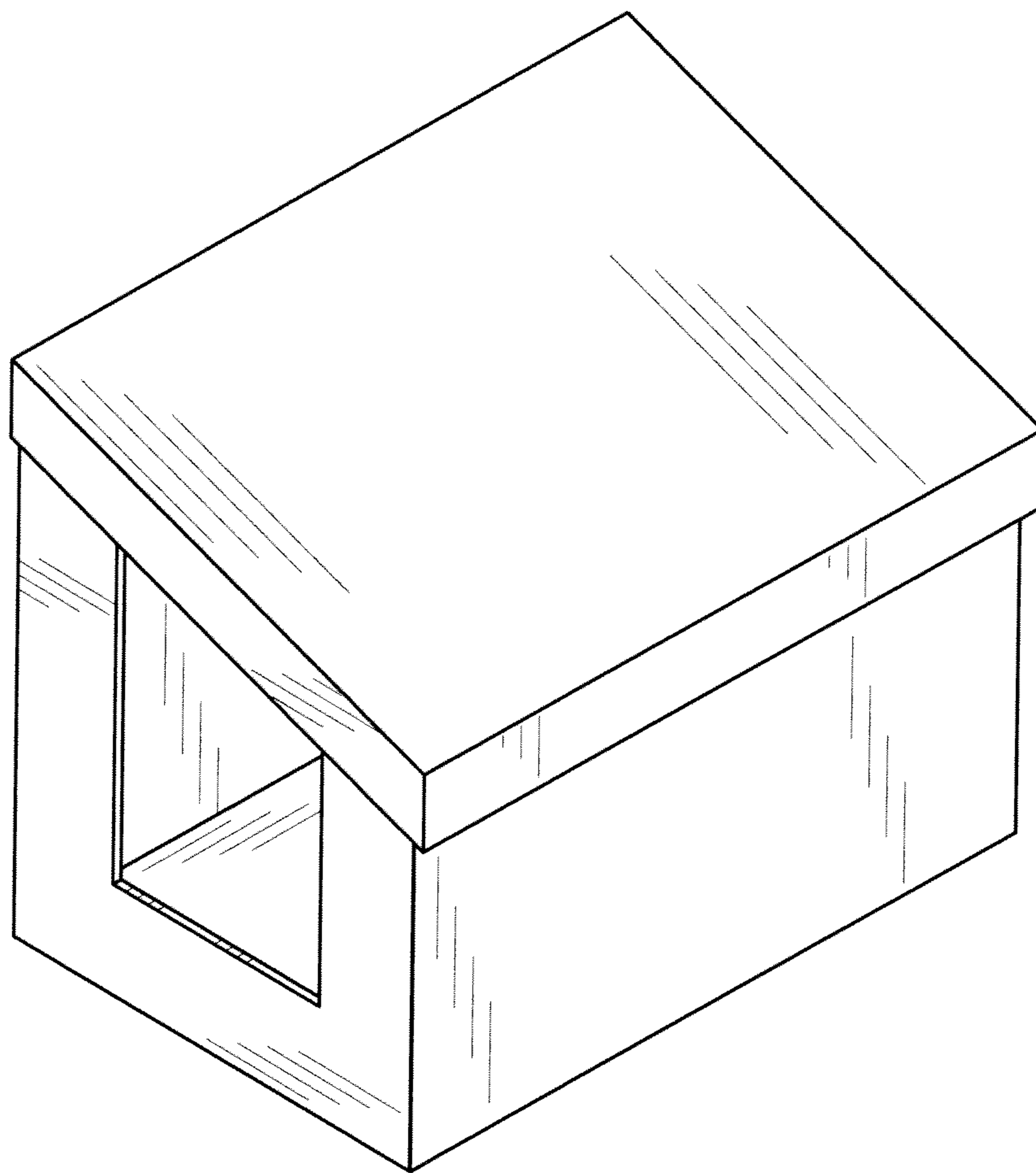


FIG. 1

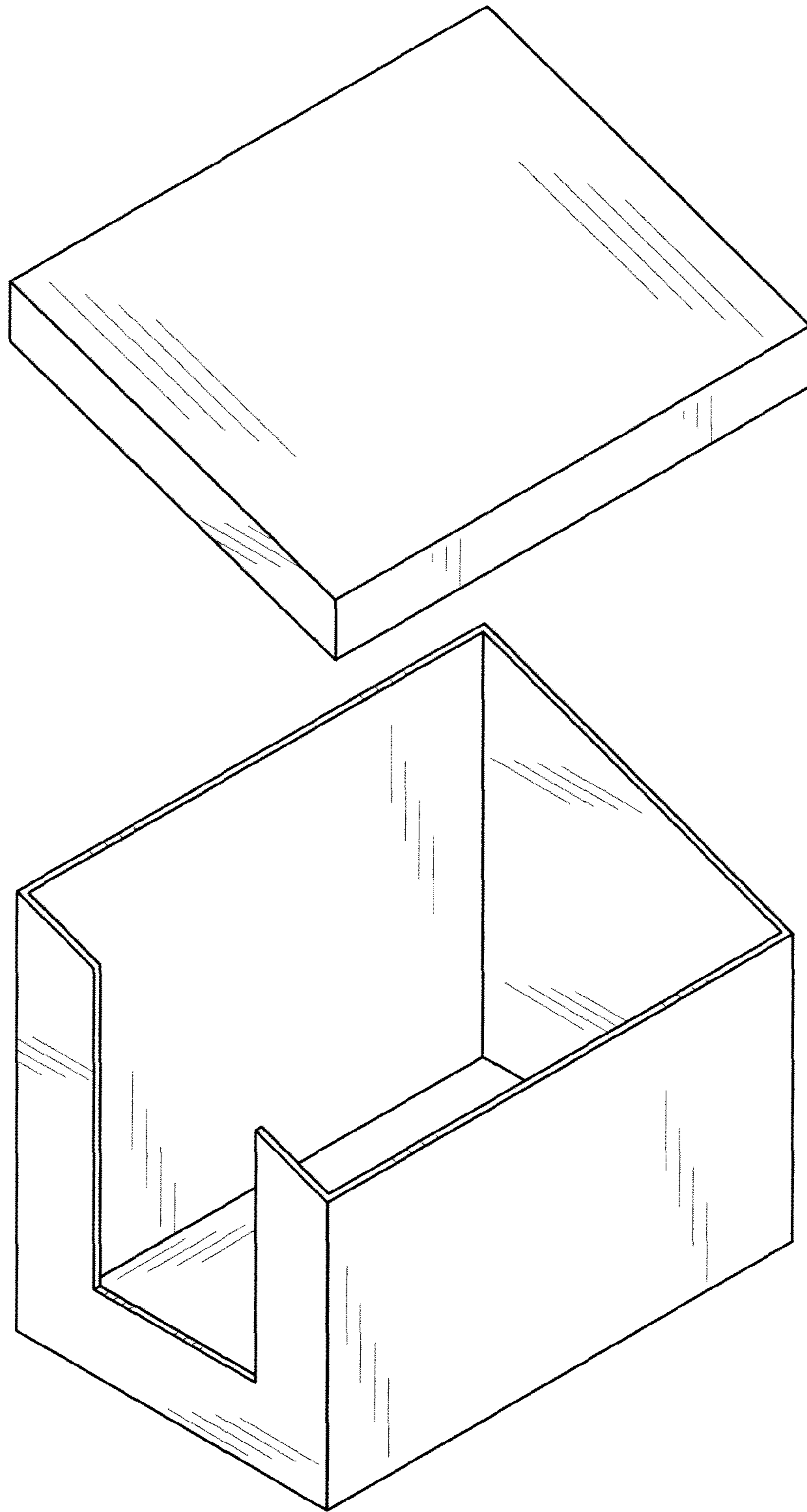


FIG. 2

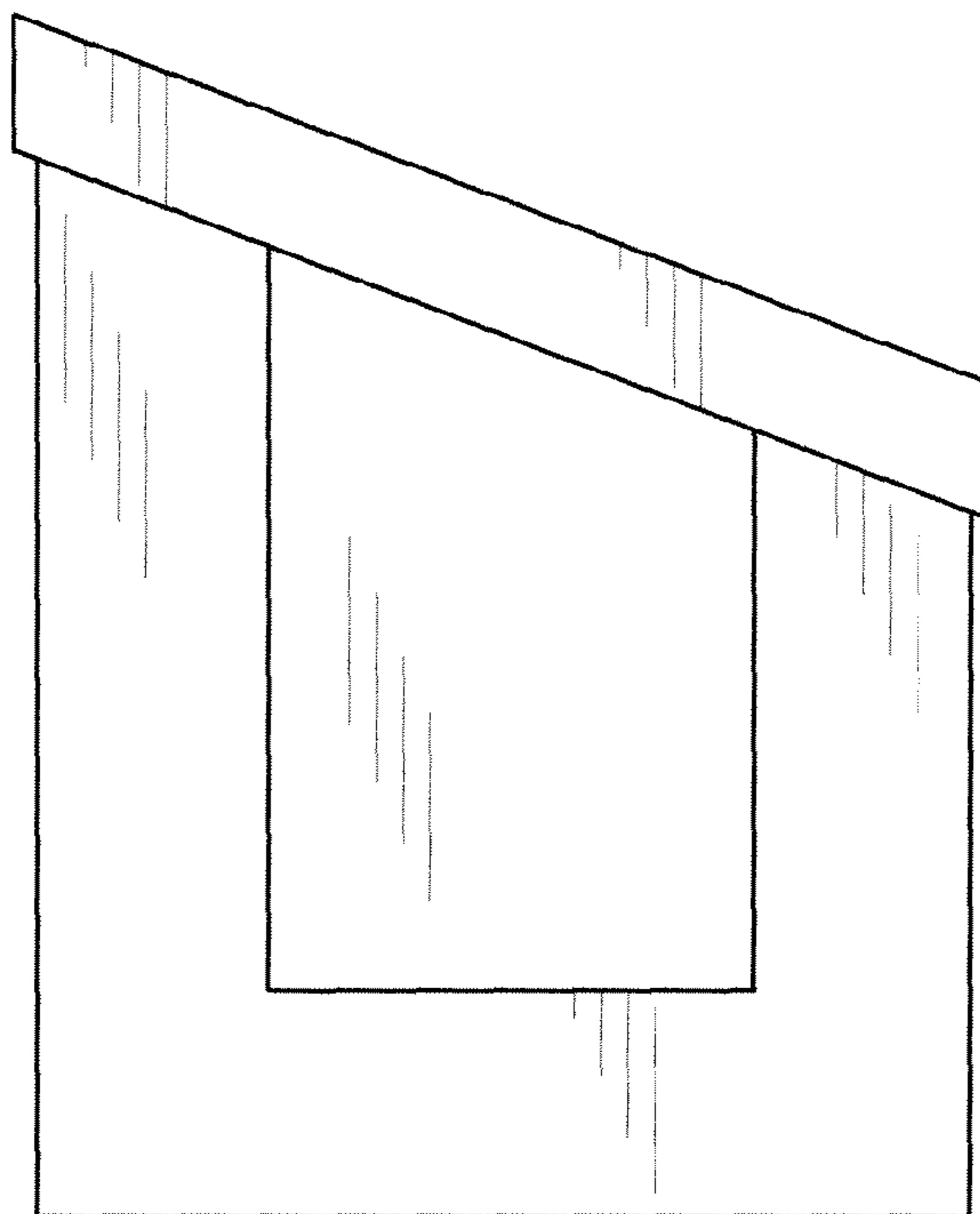


FIG. 3

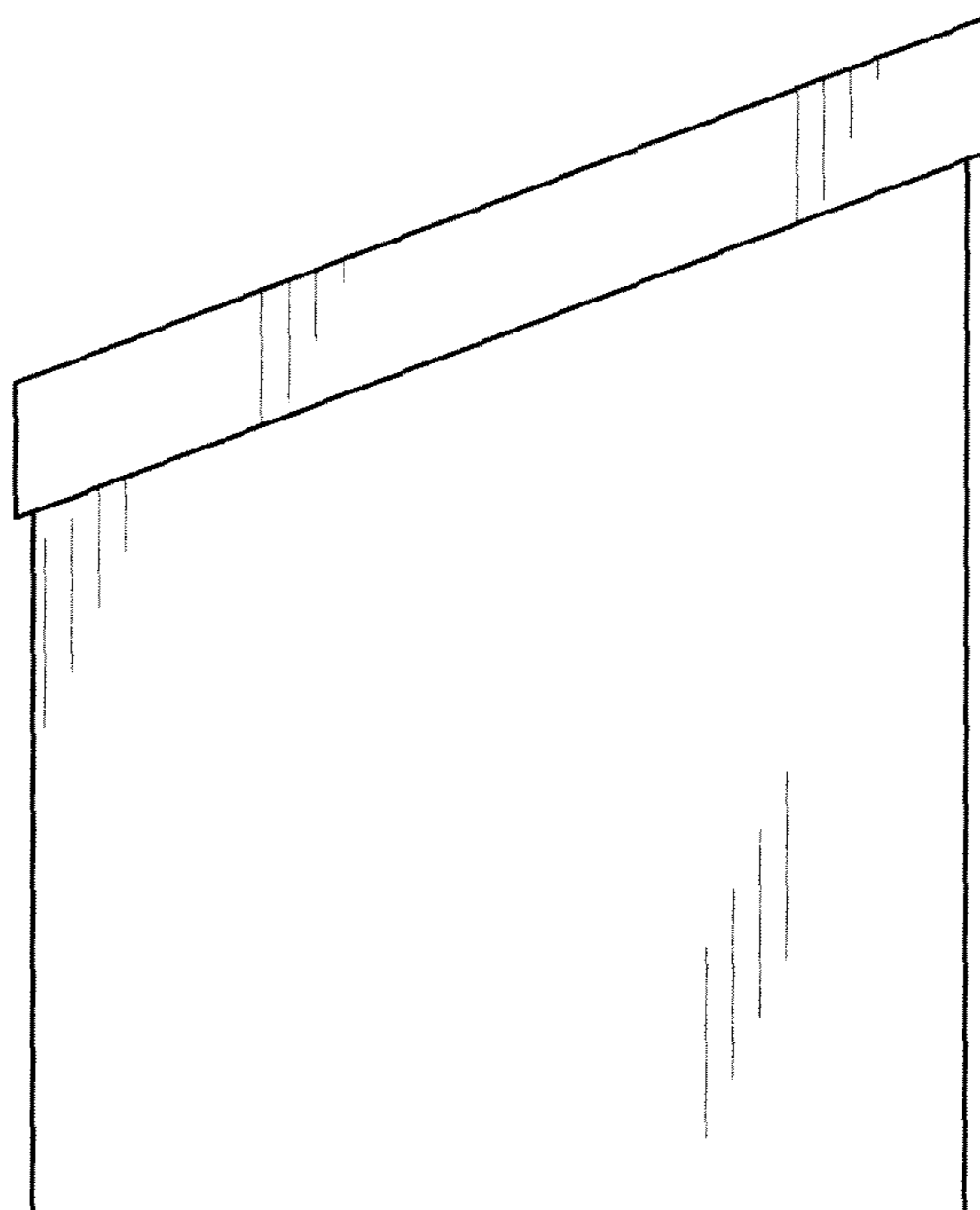


FIG. 4

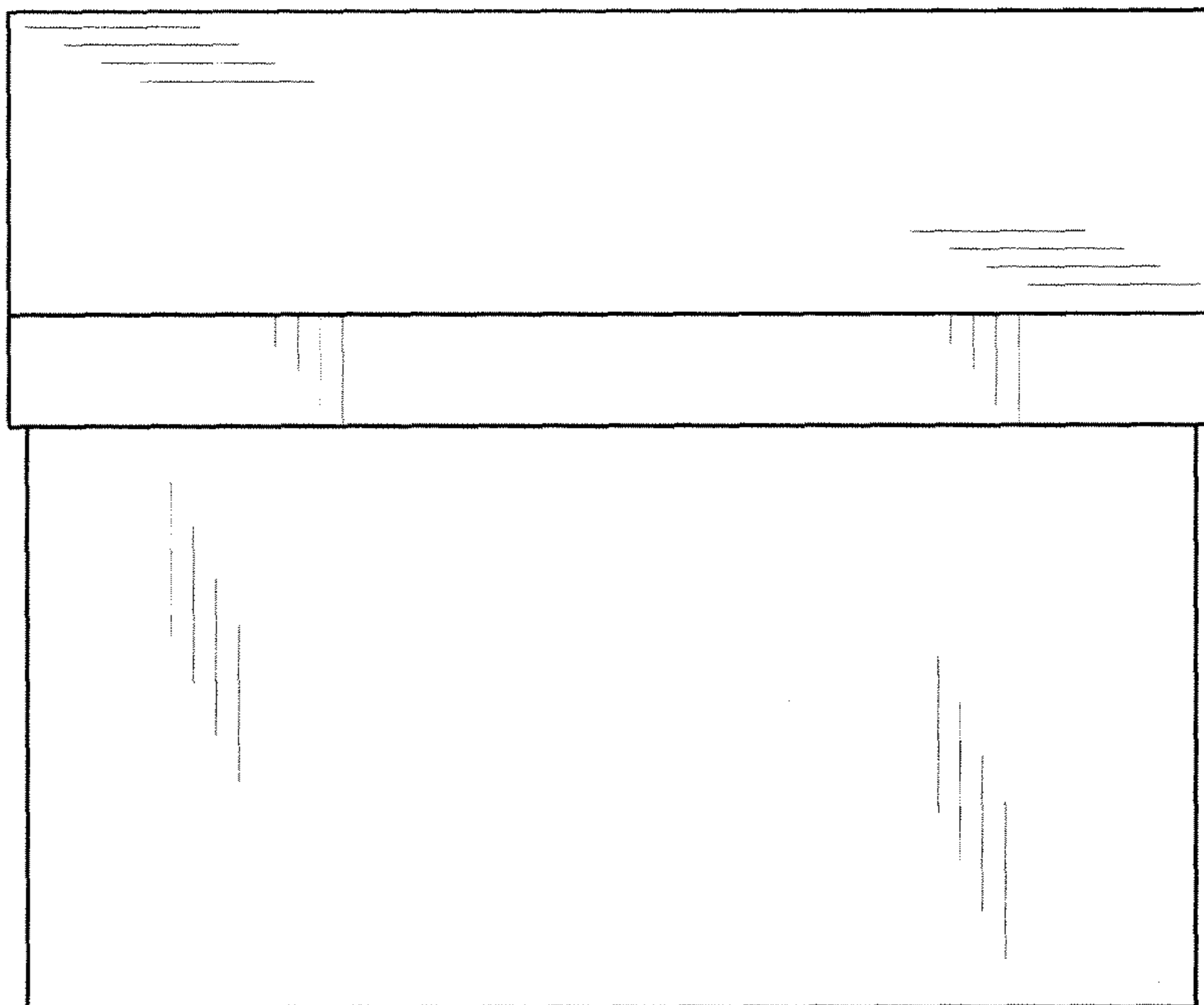


FIG. 5

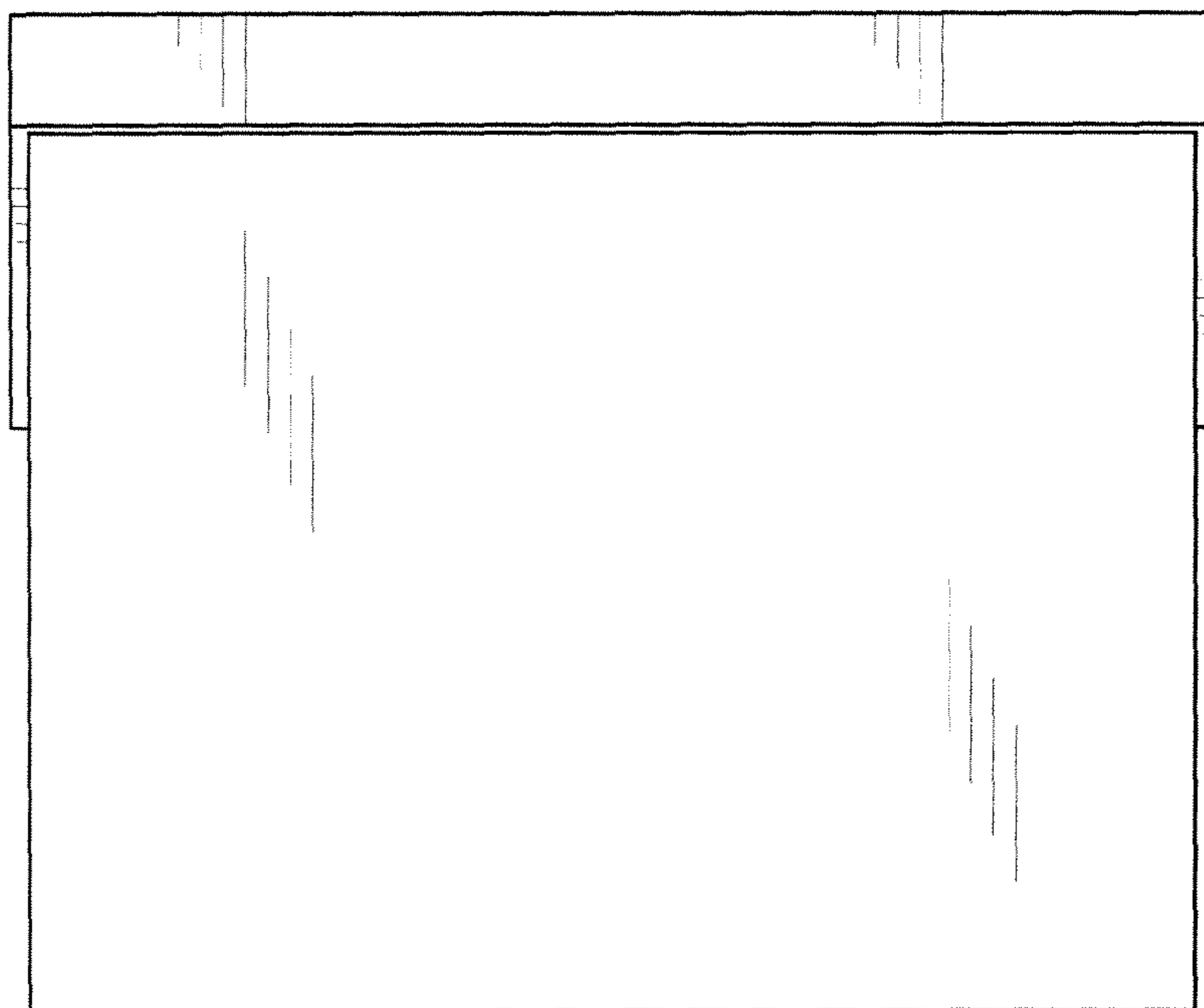


FIG. 6

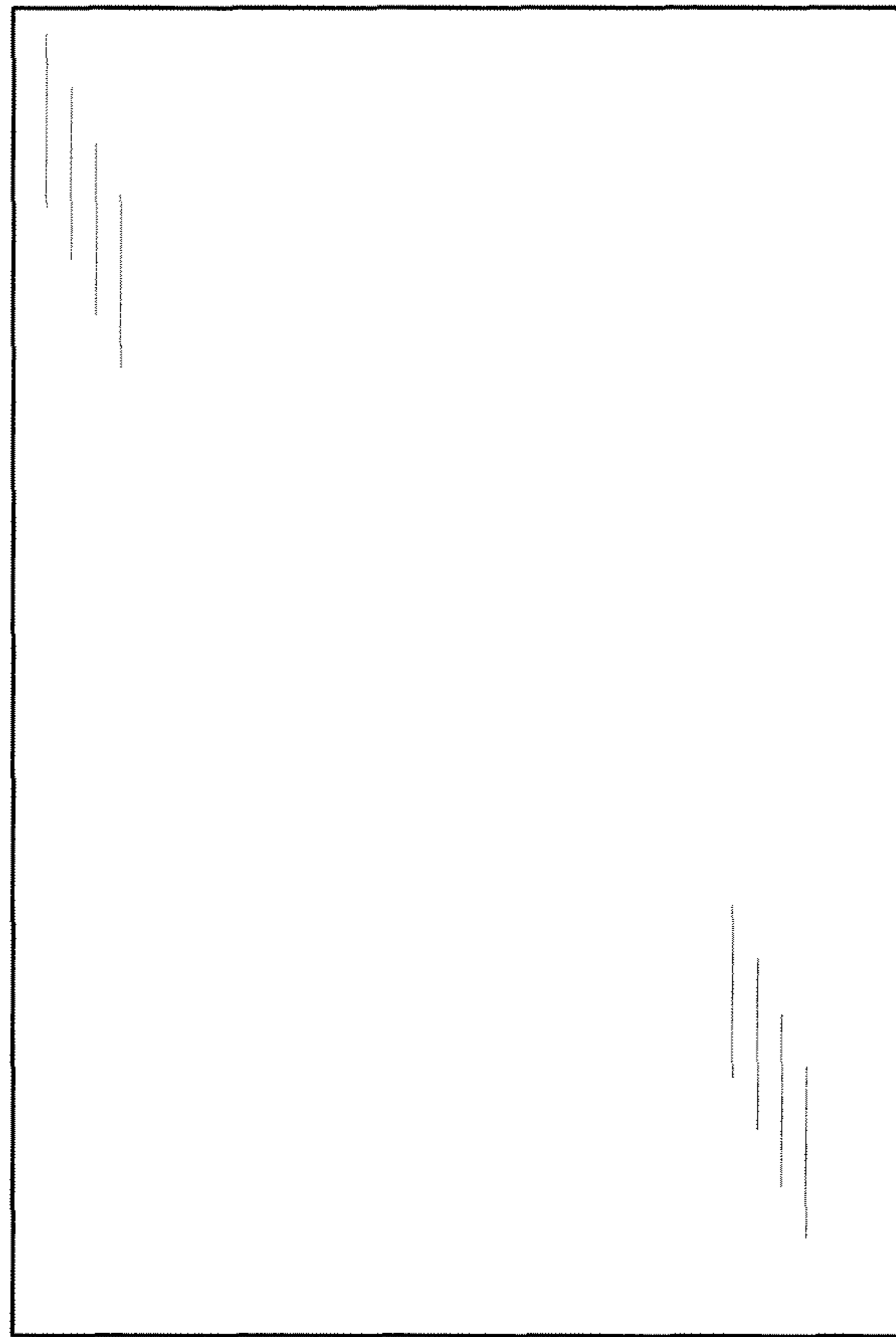


FIG. 7

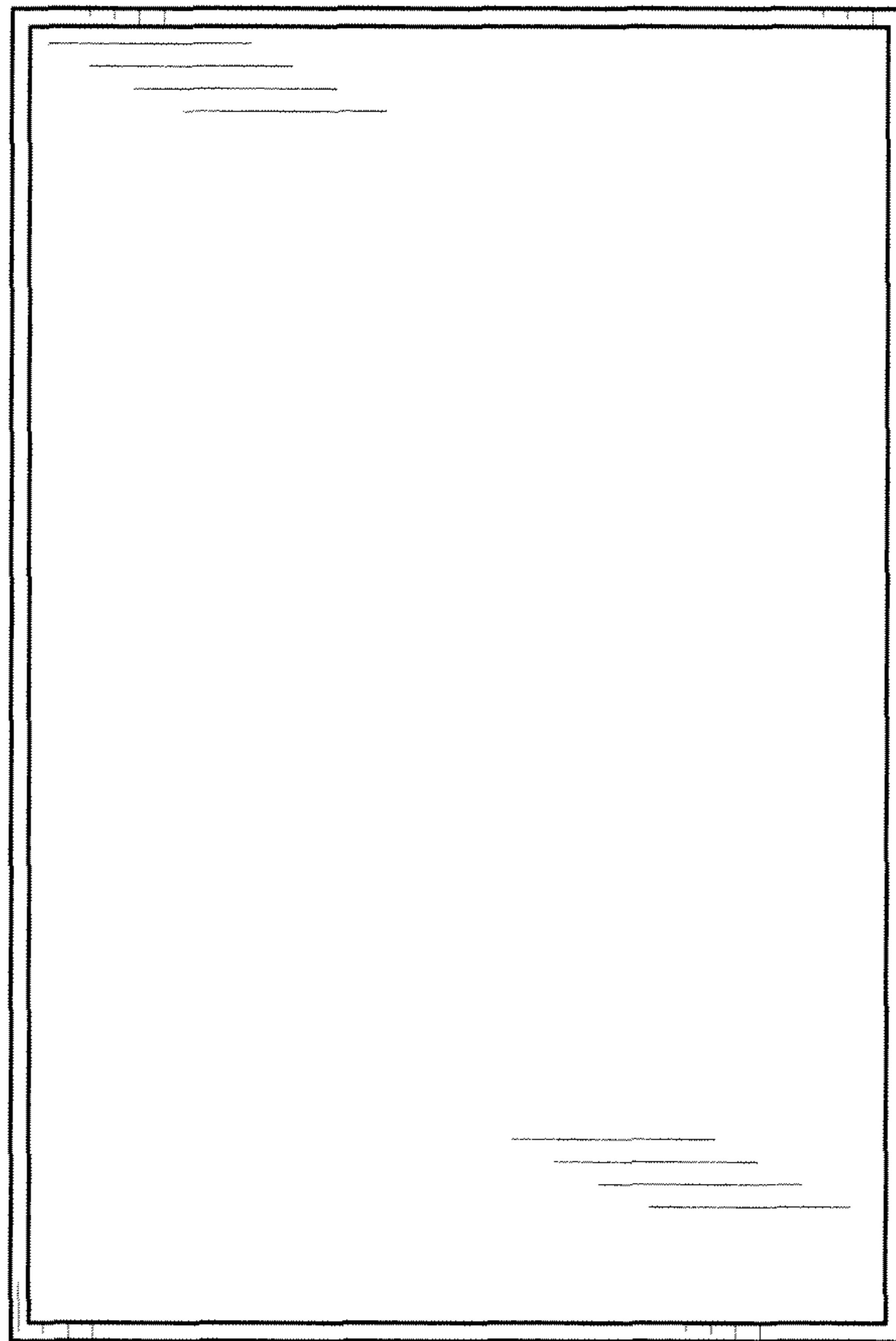


FIG. 8