



US00D725319S

(12) **United States Design Patent**  
**Olson**

(10) **Patent No.:** **US D725,319 S**  
(45) **Date of Patent:** **\*\* Mar. 24, 2015**

- (54) **ANIMAL LITTER BOX**
- (71) Applicant: **Kristin L. Olson**, Bennett, CO (US)
- (72) Inventor: **Kristin L. Olson**, Bennett, CO (US)
- (\*\*) Term: **14 Years**
- (21) Appl. No.: **29/490,054**
- (22) Filed: **May 6, 2014**
- (51) **LOC (10) Cl.** ..... **30-99**
- (52) **U.S. Cl.**  
USPC ..... **D30/161**
- (58) **Field of Classification Search**  
USPC ..... D30/161, 108–109, 112, 118; D7/545,  
D7/554.3; 119/161, 163–165, 167–170,  
119/166, 28.5  
See application file for complete search history.

- D286,694 S 11/1986 O'Rourke
- D288,253 S 2/1987 Hatton et al.
- D289,574 S 4/1987 Stinner
- D292,035 S 9/1987 Aksamit
- D298,672 S 11/1988 Herbst
- D300,965 S 5/1989 Conner
- D300,966 S 5/1989 Conner
- D300,967 S 5/1989 Conner
- D300,968 S 5/1989 Conner
- 4,836,141 A \* 6/1989 Whitfield ..... 119/169
- D308,589 S 6/1990 Shay
- D309,050 S 7/1990 Wolak

(Continued)

*Primary Examiner* — Cathy A MacCormac  
(74) *Attorney, Agent, or Firm* — Kutak Rock LLP; Neil L. Arney

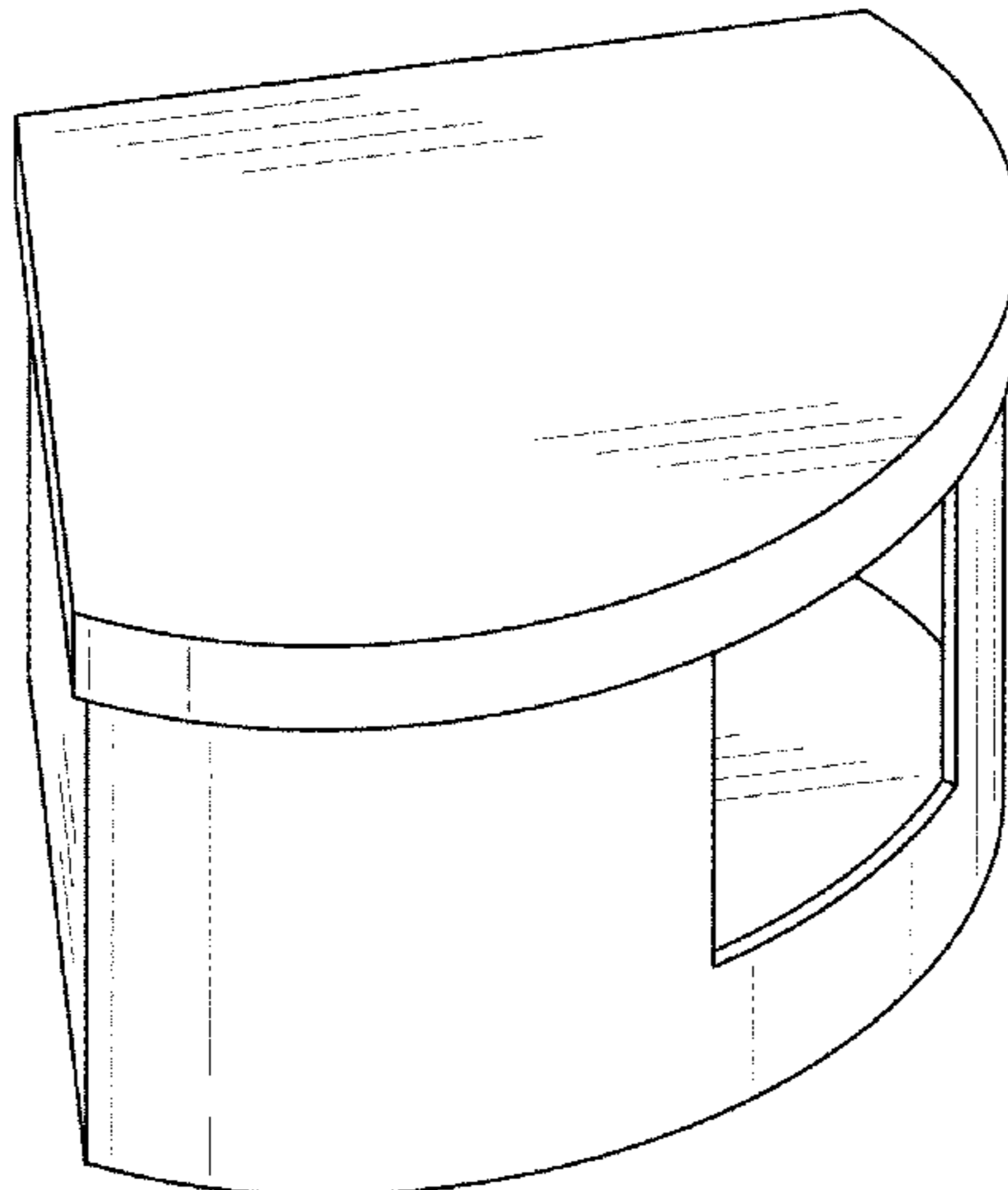
(57) **CLAIM**  
The ornamental design for an animal litter box, as shown and described.

**DESCRIPTION**

- (56) **References Cited**  
U.S. PATENT DOCUMENTS  
D30,435 S \* 3/1899 Bradley ..... D30/161  
2,469,784 A \* 5/1949 Quinn ..... 119/161  
2,963,003 A \* 12/1960 Oberg et al. .... 119/166  
3,358,647 A \* 12/1967 Wilson ..... 119/169  
D245,191 S 7/1977 Gore  
D246,392 S 11/1977 Smith  
D246,496 S 11/1977 Weckwerth  
D248,333 S 6/1978 Haugen  
D250,051 S 10/1978 Spinks  
D257,406 S 10/1980 Ouellette  
D264,261 S 5/1982 Durocher  
4,352,340 A 10/1982 Strubelt  
D268,058 S 2/1983 Kinnebrew, IV  
D269,725 S 7/1983 Cooke et al.  
D272,198 S 1/1984 Webb et al.  
D272,569 S 2/1984 Argentine et al.  
D273,718 S 5/1984 Dugan  
D276,752 S 12/1984 Kinzie  
D280,458 S 9/1985 Bryce

FIG. 1 is a front perspective view of an animal litter box showing my new design.  
 FIG. 2 is an exploded front perspective view of an animal litter box showing my new design.  
 FIG. 3 is a front view of an animal litter box showing my new design.  
 FIG. 4 is a rear view of an animal litter box showing my new design.  
 FIG. 5 is a right-side view of an animal litter box showing my new design.  
 FIG. 6 is a left-side view of an animal litter box showing my new design.  
 FIG. 7 is a top view of an animal litter box showing my new design; and,  
 FIG. 8 is a bottom view of an animal litter box showing my new design.

**1 Claim, 5 Drawing Sheets**



(56)

References Cited

U.S. PATENT DOCUMENTS

D310,587 S	9/1990	Hinson	D473,351 S	4/2003	Critchley	
D310,588 S	9/1990	Valinsky	6,561,130 B1 *	5/2003	Sage, Jr. ....	119/166
D310,740 S	9/1990	Mannschreck	D478,695 S	8/2003	Molloy	
D311,713 S	10/1990	McAfee et al.	D479,370 S	9/2003	Neves	
D311,795 S	10/1990	Mannschreck	6,662,748 B1	12/2003	Hanks	
D312,897 S	12/1990	Splane	D485,405 S	1/2004	Vize	
D313,292 S	12/1990	Elrod	D486,756 S	2/2004	Mondigo et al.	
D314,650 S	2/1991	Pudwill	D488,277 S	4/2004	Ciocchini	
D318,152 S	7/1991	Pudwill	D488,890 S	4/2004	Radde	
D319,117 S	8/1991	Goetz	D491,700 S	6/2004	Abajian	
D324,749 S	3/1992	Bray	D493,263 S	7/2004	Miller et al.	
D331,649 S	12/1992	Saja	D496,501 S	9/2004	Walter et al.	
D331,824 S	12/1992	Haas	D497,691 S	10/2004	Hardt	
D331,990 S	12/1992	Burson	D498,025 S	11/2004	Tessier et al.	
D332,675 S	1/1993	Simon	D501,584 S	2/2005	Abajian	
D340,323 S	10/1993	Wagner	D501,962 S	2/2005	Neves	
D342,360 S	12/1993	Ticknor	6,848,394 B1	2/2005	Sexton	
D345,635 S	3/1994	Casmira	6,851,386 B2	2/2005	Northrop	
D346,677 S	5/1994	Casmira	D502,576 S	3/2005	Miller et al.	
D346,887 S	5/1994	Desveaux	D506,954 S	7/2005	Lara	
D347,304 S	5/1994	Hellem	D512,542 S	12/2005	Northrop et al.	
D351,694 S	10/1994	Evans	D513,817 S	1/2006	Miller et al.	
D358,008 S	5/1995	Keller et al.	D514,754 S	2/2006	Northrop et al.	
D361,175 S	8/1995	VanSkiver	7,011,042 B2	3/2006	Martello et al.	
D361,649 S	8/1995	De La Chevrotiere	D524,492 S	7/2006	Wan et al.	
D364,944 S	12/1995	Blaine	D526,748 S	8/2006	Van Skiver	
D364,945 S	12/1995	Smothers et al.	D527,498 S	8/2006	Lewis, II	
D366,543 S	1/1996	Lopes	7,082,892 B1	8/2006	Fraser et al.	
D368,003 S	3/1996	Simon	D528,252 S	9/2006	Van Skiver et al.	
D370,094 S	5/1996	Kohus	D530,458 S	10/2006	Arnim	
D370,095 S	5/1996	Siler	D534,321 S	12/2006	Simpson et al.	
D370,316 S	5/1996	Merino	D534,695 S	1/2007	Van Skiver	
D370,317 S	5/1996	Kohus	7,188,583 B2 *	3/2007	Sage, Jr. ....	119/166
D371,657 S	7/1996	Kirn et al.	7,198,006 B2	4/2007	Fischer	
D372,565 S	8/1996	Rice	D541,995 S	5/2007	Wan	
D372,813 S	8/1996	Walter	D554,304 S	10/2007	Gozalbo-Moragrega	
D373,663 S	9/1996	Walter	D556,955 S	12/2007	Hanks	
D376,875 S *	12/1996	Glickstein ..... D30/118	D557,867 S	12/2007	Northrop	
D377,246 S	1/1997	Clenney	D563,072 S	2/2008	Zeanah	
D377,549 S	1/1997	Long et al.	D564,718 S	3/2008	Meyer	
D378,451 S	3/1997	Schmidt	D579,158 S	10/2008	Gillis et al.	
D381,136 S	7/1997	Savicki	D591,463 S	4/2009	Plante	
D383,262 S	9/1997	Benwell	D601,312 S	9/2009	Pettys	
D384,462 S	9/1997	Fox et al.	D601,313 S	9/2009	Kim	
D388,560 S	12/1997	Savicki	D602,667 S	10/2009	Barbieri	
D388,912 S	1/1998	Hurst et al.	D603,112 S	10/2009	Pergolski	
D392,076 S	3/1998	Goemans	D605,369 S	12/2009	Petersen	
D393,111 S	3/1998	Herber	D608,959 S	1/2010	Kim	
D398,088 S	9/1998	Angier	D608,967 S	1/2010	Ciocchini	
D399,613 S	10/1998	O'Rourke et al.	D612,113 S	3/2010	Petersen	
D400,318 S	10/1998	Lucas	D612,553 S	3/2010	Stetelman	
D406,923 S *	3/1999	Simpkins ..... D30/118	D612,554 S	3/2010	Seager et al.	
D408,949 S	4/1999	Queen	D615,250 S	5/2010	Temperino	
D410,575 S	6/1999	Meier	D616,617 S	5/2010	Cirincione et al.	
D413,416 S	8/1999	Frank	7,762,213 B2	7/2010	Cook et al.	
D421,161 S	2/2000	Rogers	D622,912 S	8/2010	Kanigchular	
D421,167 S	2/2000	Bacon et al.	D622,913 S	8/2010	Schroeder et al.	
D421,515 S	3/2000	Slear	D623,807 S	9/2010	Teren	
D421,823 S	3/2000	Meier	D624,252 S	9/2010	Hertz	
D421,824 S	3/2000	Hornyak	D625,057 S	10/2010	Teper et al.	
D424,769 S	5/2000	Hornyak	D635,726 S	4/2011	Lawson et al.	
D425,674 S	5/2000	Dykens	D636,545 S	4/2011	Lawson et al.	
D426,684 S	6/2000	Kenney	D636,950 S	4/2011	Lawson et al.	
6,135,057 A	10/2000	Cummings	D636,960 S	4/2011	Duvigneau	
D433,544 S	11/2000	Nesbit-Yontz	D636,961 S	4/2011	Duvigneau	
D435,149 S	12/2000	Kleinberg	D638,590 S	5/2011	Lipscomb et al.	
6,237,534 B1	5/2001	Schwartz	D639,000 S	5/2011	Weber	
D453,243 S	1/2002	Burke	D643,986 S	8/2011	Soto et al.	
D453,865 S	2/2002	Ross	D643,987 S	8/2011	Soto et al.	
D455,872 S *	4/2002	Sturgis ..... D30/118	D646,444 S	10/2011	Lawson et al.	
6,378,461 B1	4/2002	Thaler et al.	D651,772 S	1/2012	Weber	
D463,887 S	10/2002	Walter et al.	D660,524 S	5/2012	Wedding	
D466,666 S	12/2002	Vize	D663,081 S	7/2012	Chance et al.	
D468,493 S	1/2003	Chase-Gilpin	D664,312 S	7/2012	Bizzle	
6,523,495 B1	2/2003	Rydman	D677,012 S	2/2013	Duvigneau	
			D678,632 S	3/2013	Chance et al.	
			D679,461 S	4/2013	Chance et al.	
			D684,733 S	6/2013	Altoon	
			D685,147 S	6/2013	Muir	

(56)

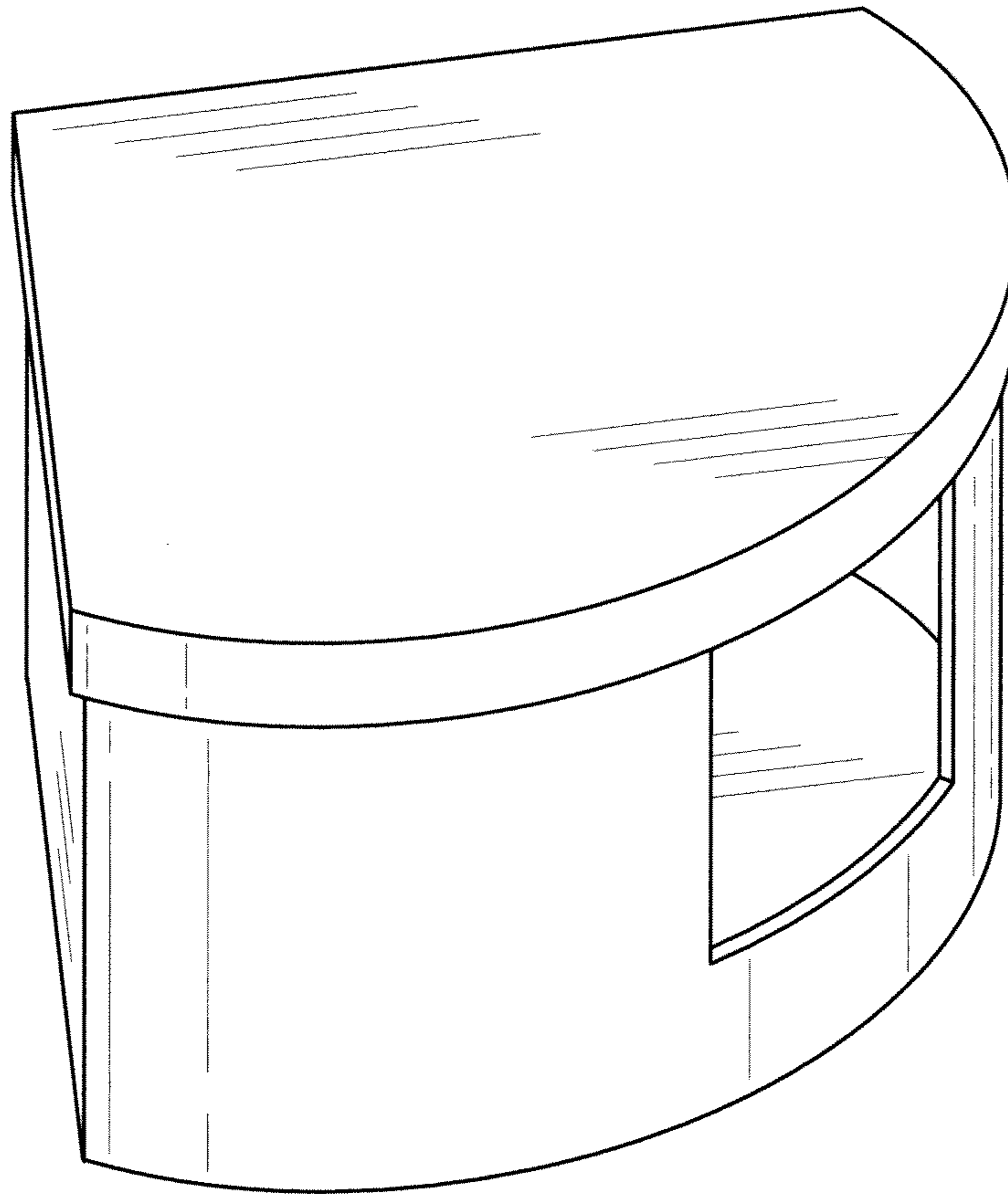
**References Cited**

U.S. PATENT DOCUMENTS

D685,148 S 6/2013 Khalili  
D685,539 S 7/2013 McPherson

D690,059 S 9/2013 Robbins  
D691,335 S 10/2013 Zettlemoyer  
8,607,738 B2 12/2013 Wilson  
D699,407 S 2/2014 Sikora et al.

\* cited by examiner



*FIG. 1*

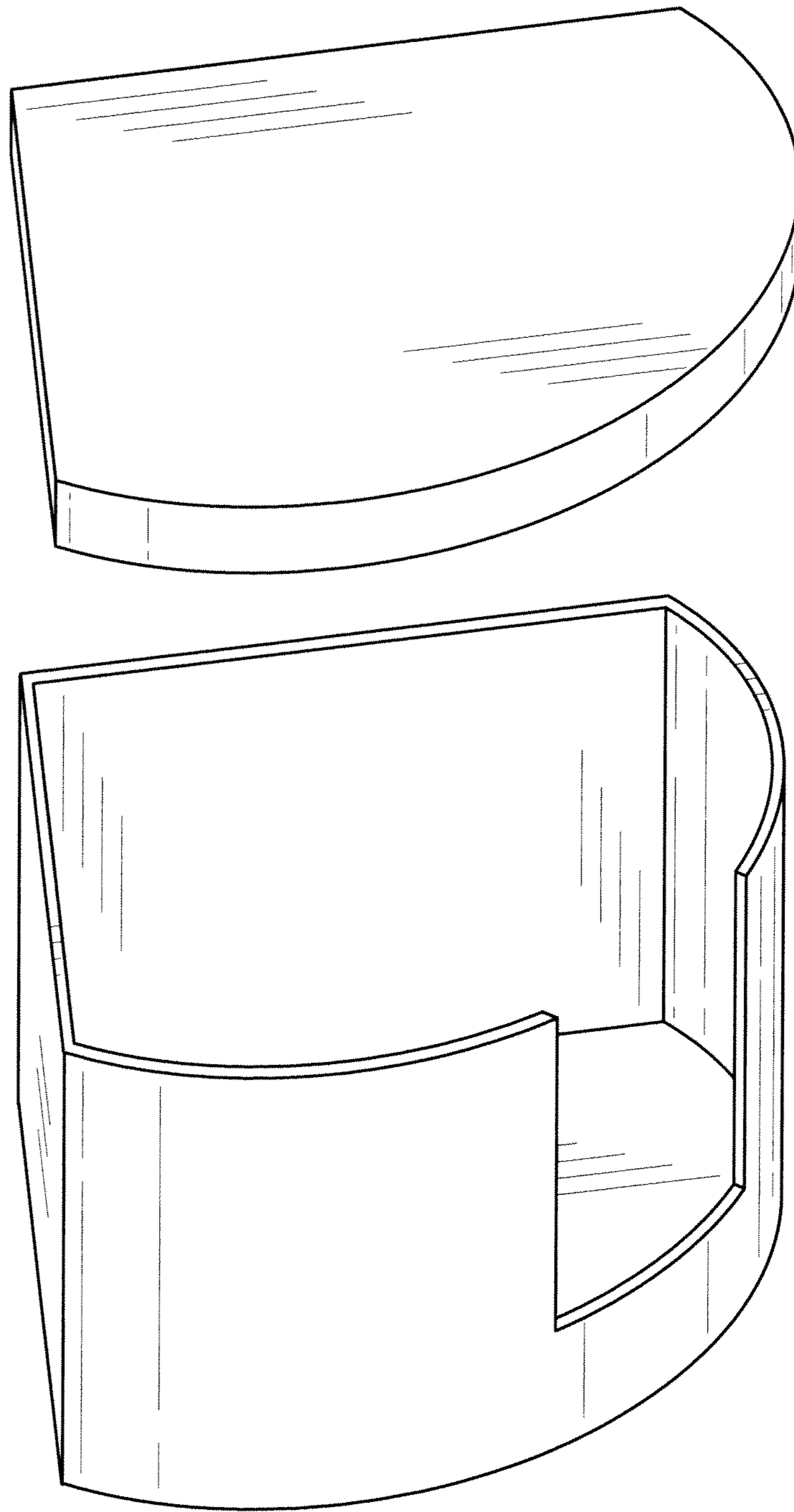
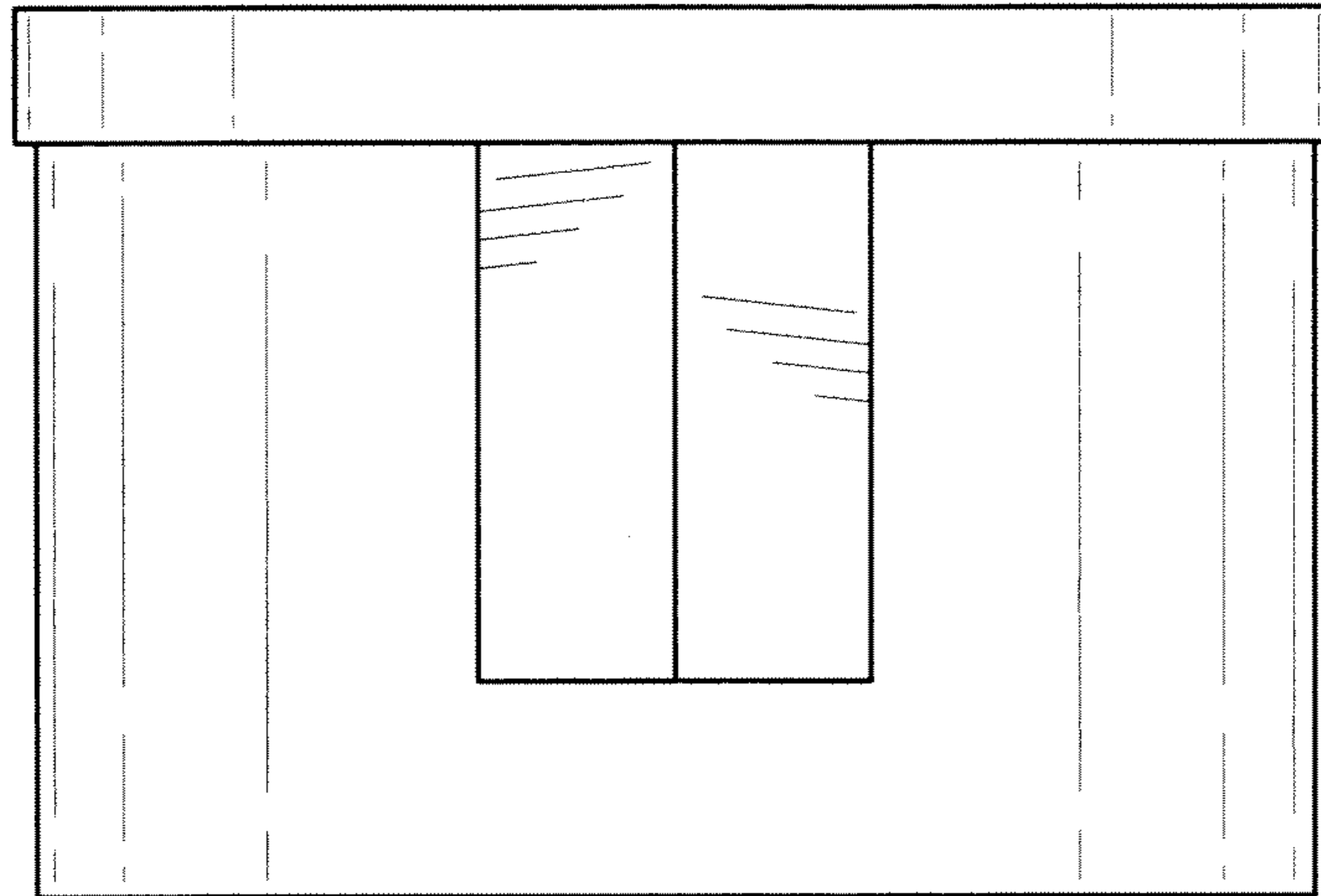
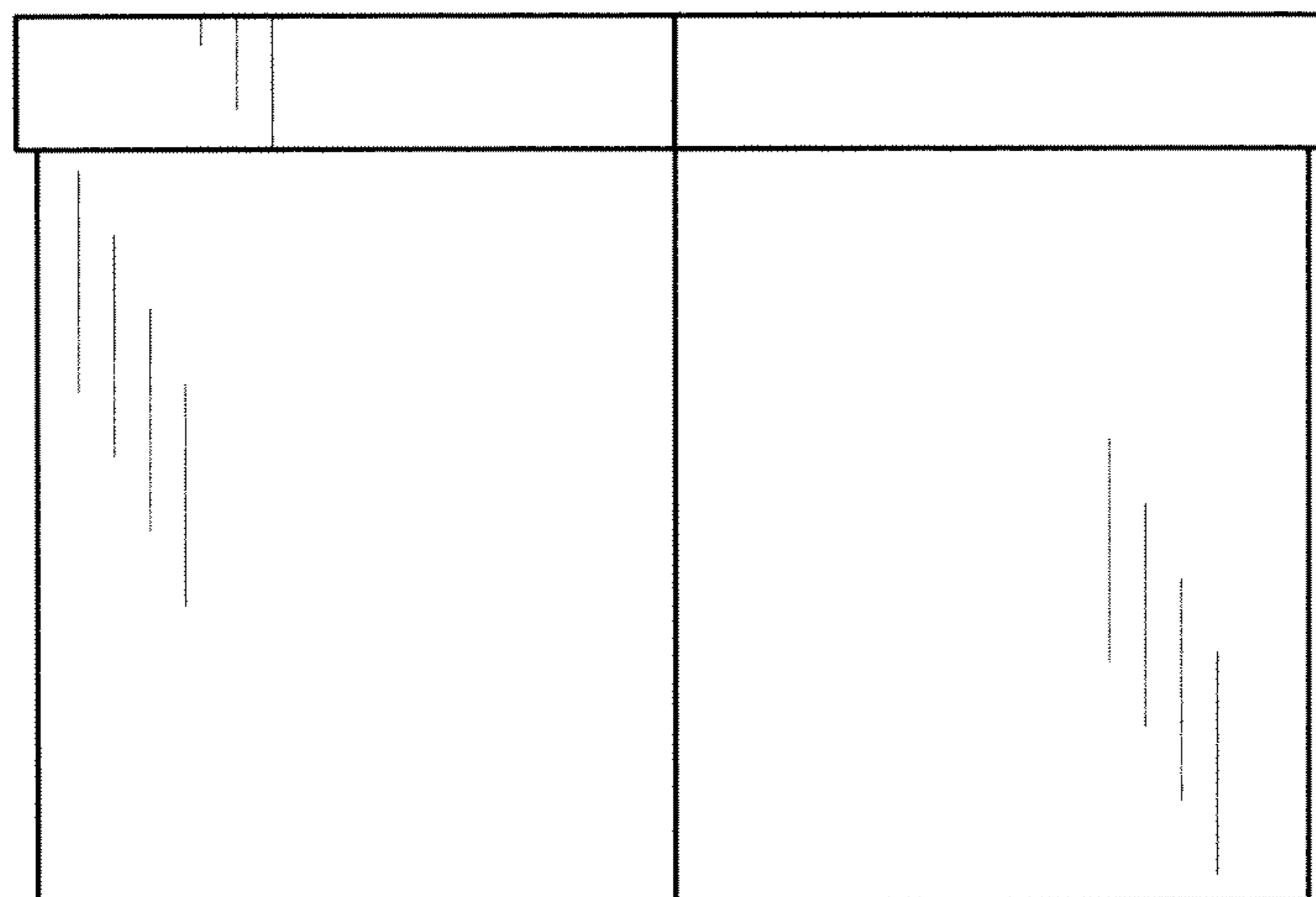


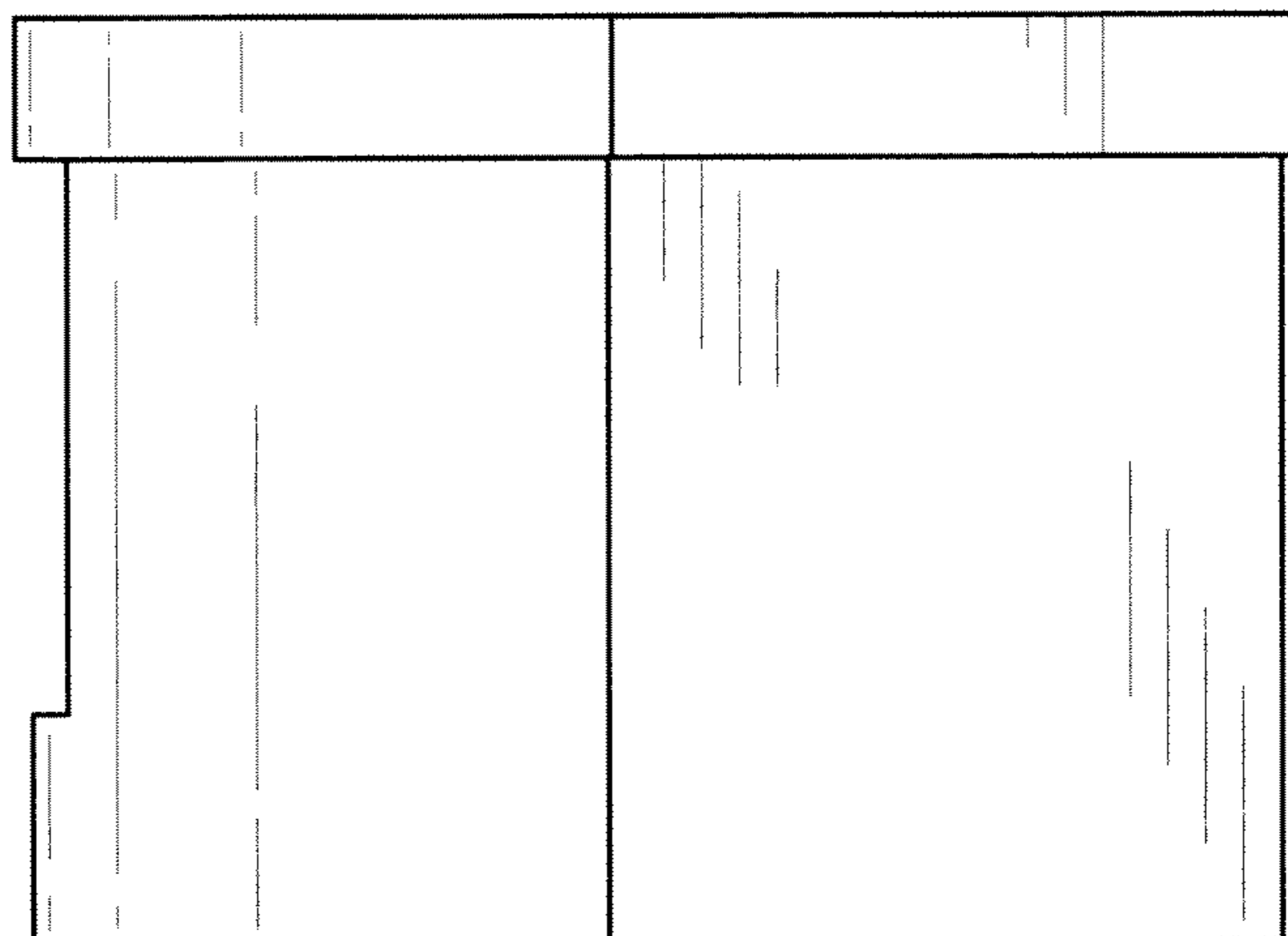
FIG. 2



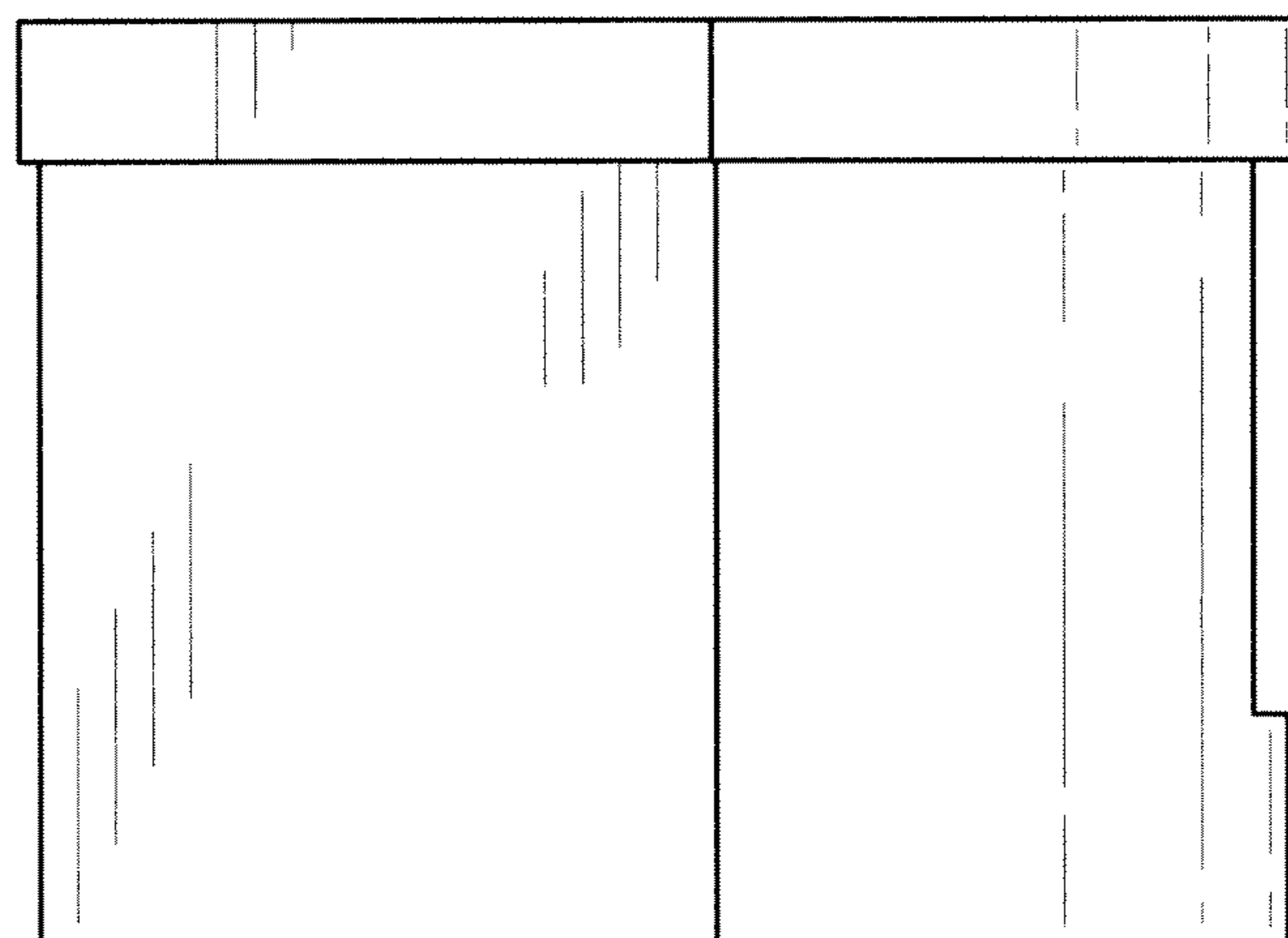
*FIG. 3*



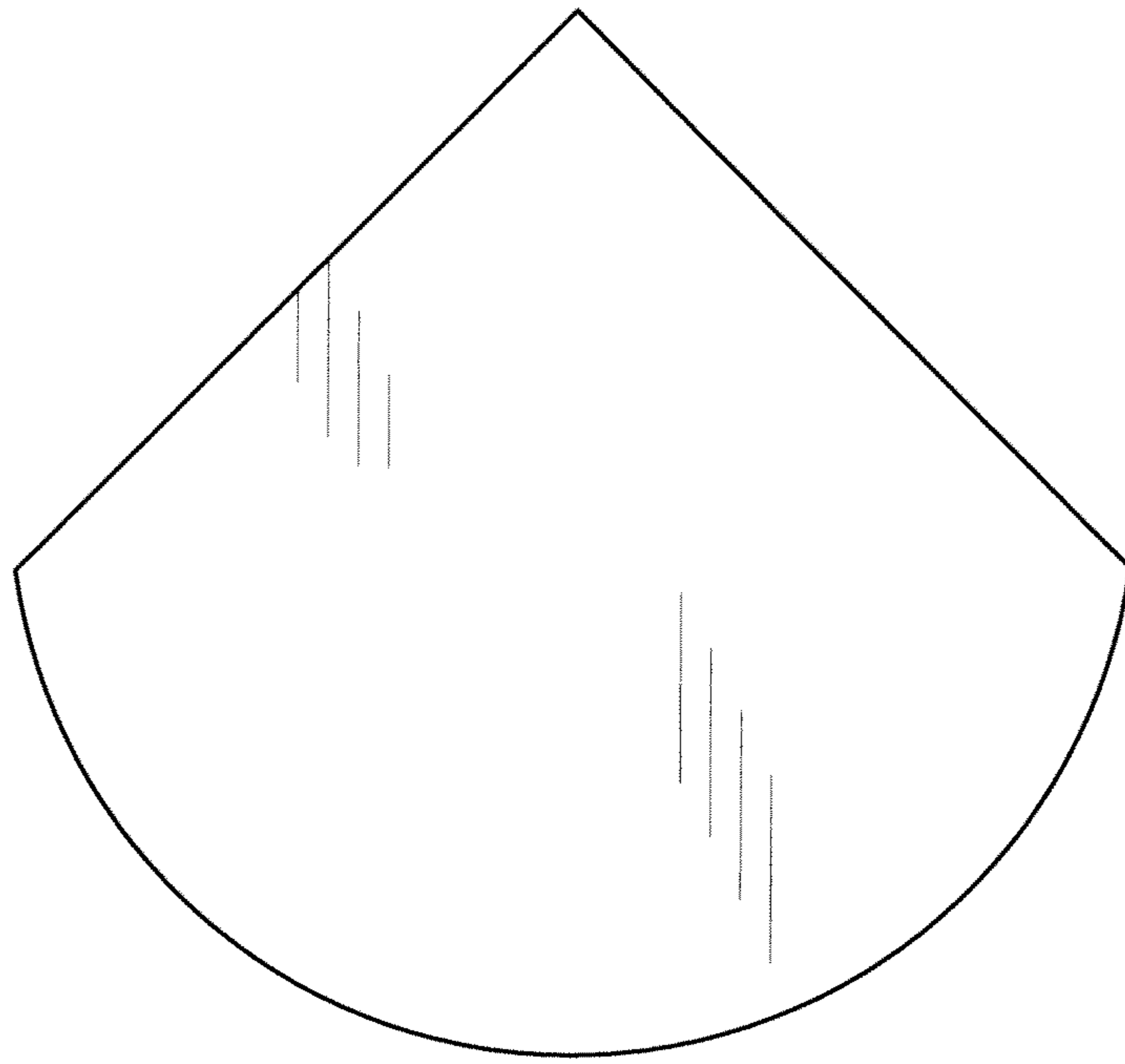
*FIG. 4*



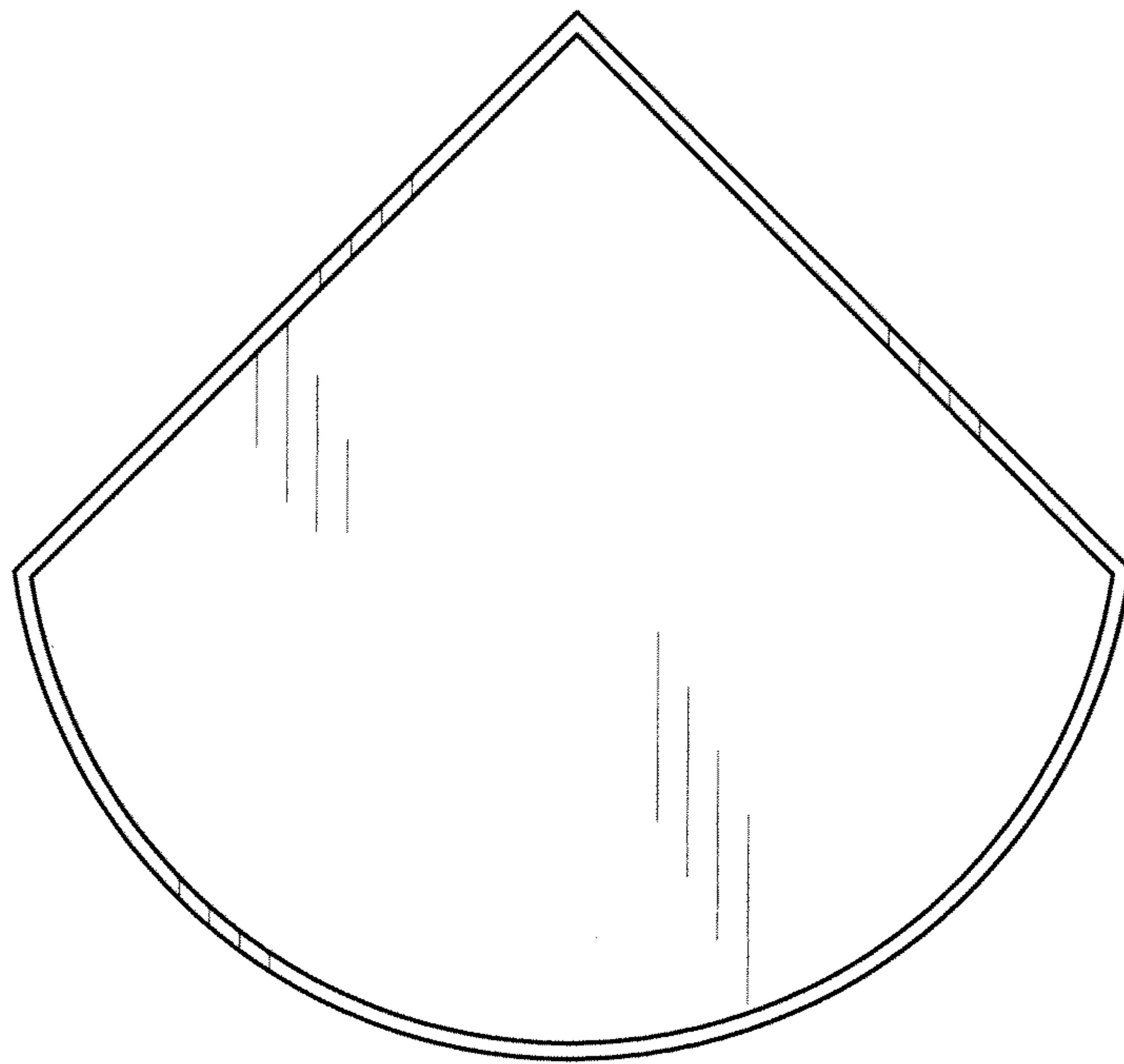
*FIG. 5*



*FIG. 6*



*FIG. 7*



*FIG. 8*