



US00D725316S

(12) **United States Design Patent**
Carter

(10) **Patent No.:** **US D725,316 S**
(45) **Date of Patent:** **** Mar. 24, 2015**

- (54) **BIRD FEEDER WITH SEED RESERVOIR**
- (71) Applicant: **Classic Brands LLC**, Denver, CO (US)
- (72) Inventor: **James Carter**, Denver, CO (US)
- (73) Assignee: **Classic Brands, LLC**, Denver, CO (US)
- (**) Term: **14 Years**
- (21) Appl. No.: **29/448,176**
- (22) Filed: **Mar. 11, 2013**

2,634,705	A *	4/1953	Mayes	119/57.8
2,683,440	A *	7/1954	Klix	119/57.8
D173,658	S	12/1954	Jones	
D174,139	S	3/1955	Sadler	
D178,917	S	10/1956	England et al.	
2,773,474	A *	12/1956	Dodds	119/55
2,944,516	A	7/1960	Malloy, Sr.	
3,022,768	A	2/1962	Lynch	
D193,558	S	9/1962	Perry	
3,083,687	A *	4/1963	Slaven	119/52.2
3,090,354	A	5/1963	Merritt et al.	
3,136,296	A	6/1964	Luin	
3,186,379	A *	6/1965	Grella	119/57.9
3,244,150	A	4/1966	Blair	
D217,470	S	5/1970	Morrow	
D244,786	S	6/1977	Dryden	
D244,883	S	6/1977	Rohrmuller	
4,188,913	A	2/1980	Earl et al.	

Related U.S. Application Data

- (62) Division of application No. 29/416,886, filed on Mar. 28, 2012, now Pat. No. Des. 679,059.
- (51) **LOC (10) Cl.** **30-03**
- (52) **U.S. Cl.**
USPC **D30/127; D30/128**
- (58) **Field of Classification Search**
USPC D30/121, 124, 126-129, 133, 199,
D30/110-112, 123, 125; 119/52.2, 51.5,
119/61.5, 57.8, 57.9, 52.3, 61.1, 531, 63,
119/428-435, 52.4, 55, 61.3, 69.5, 75, 76;
47/67, 83; 248/318; D11/164, 152;
211/128.1; D27/123; D6/495, 460,
D6/461, 476, 405

See application file for complete search history.

(56) **References Cited**

U.S. PATENT DOCUMENTS

276,392	A	4/1883	Gregory
447,006	A	2/1891	Sweeney
1,718,432	A	6/1929	Qualmann
1,879,318	A	9/1932	Klein
D109,128	S	4/1938	Copeman
D115,321	S	6/1939	Pueschel
2,283,373	A	5/1942	Krafft
2,531,915	A	11/1950	Maly
D164,692	S	10/1951	Kelly

(Continued)

OTHER PUBLICATIONS

U.S. Appl. No. 13/855,523, filed Apr. 2, 2013, Donegan et al.
(Continued)

Primary Examiner — Susan Moon Lee
(74) *Attorney, Agent, or Firm* — Polsinelli PC

(57) **CLAIM**

I claim the ornamental design for a bird feeder with seed reservoir, as shown and described.

DESCRIPTION

FIG. 1 is a front perspective view of a bird feeder with seed reservoir embodying my new design, the rear view being substantially the same.

FIG. 2 is a front side perspective view thereof.

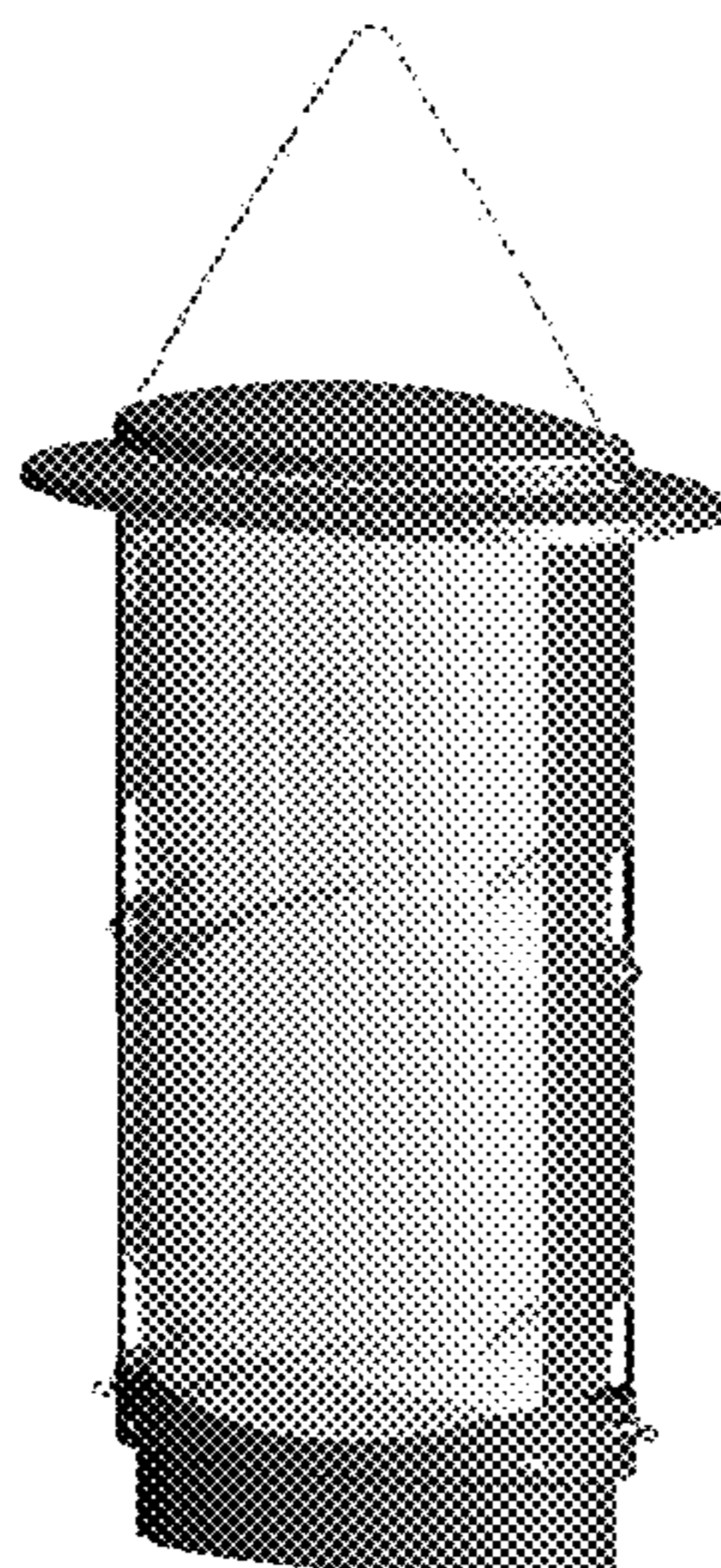
FIG. 3 is a right side perspective view thereof.

FIG. 4 is a top perspective view thereof; and,

FIG. 5 is a bottom perspective view thereof.

No claim is made to color.

1 Claim, 5 Drawing Sheets



(56)

References Cited

U.S. PATENT DOCUMENTS

D620,074	S	7/2010	Muhlenbruck	
D621,241	S	8/2010	Mirer et al.	
D622,910	S	8/2010	Puckett	
D632,952	S	2/2011	Dablemont	
D635,844	S	4/2011	Boothby	
D644,090	S	8/2011	Sittig	
D649,299	S	11/2011	Lush	
D649,302	S	11/2011	Hickok	
D650,261	S	12/2011	McDuff et al.	
D656,690	S	3/2012	Tu	
D667,573	S	6/2012	Paik et al.	
D664,437	S	7/2012	Barel	
8,230,809	B2	7/2012	Cote	
D667,294	S	9/2012	Wang	
8,272,607	B2	9/2012	Bonnema	
D671,692	S	11/2012	Carter	
D678,627	S *	3/2013	Carter	D30/127
D679,059	S *	3/2013	Carter	D30/127
8,662,016	B2 *	3/2014	Lush	119/52.2
D709,249	S *	7/2014	Van Dyk et al.	D30/127
2003/0033985	A1	2/2003	Hardison	
2003/0127056	A1 *	7/2003	Chrisco et al.	119/52.2
2003/0136347	A1	7/2003	Fasino	
2003/0226514	A1	12/2003	Cote	
2004/0216684	A1	11/2004	Obenshain	
2004/0231606	A1	11/2004	Nock	
2004/0250777	A1	12/2004	Stachowiak	
2005/0120967	A1	6/2005	Ruff	
2005/0263085	A1	12/2005	Rich	
2006/0225658	A1	10/2006	Baynard	
2006/0266295	A1	11/2006	McDarren	
2006/0272585	A1	12/2006	O'Dell	
2007/0034160	A1	2/2007	Nock	
2007/0163506	A1	7/2007	Bloedorn	
2007/0227453	A1	10/2007	Puckett et al.	
2007/0227454	A1	10/2007	Fahey	
2007/0266951	A1	11/2007	Berns	
2008/0022936	A1	1/2008	Stone et al.	
2008/0078329	A1	4/2008	Hunter et al.	
2008/0105206	A1	5/2008	Rich et al.	
2008/0134979	A1	6/2008	Crocker	
2008/0276874	A1	11/2008	Evans	
2009/0020075	A1	1/2009	Wood et al.	
2009/0071408	A1	3/2009	Wechsler	
2009/0223456	A1	9/2009	Hunter et al.	
2009/0260576	A1	10/2009	Vosbikian	
2009/0283046	A1	11/2009	Black	
2009/0304900	A1	12/2009	Augustin	
2010/0061091	A1	3/2010	Galipeau et al.	
2010/0089330	A1	4/2010	McMullen	
2010/0288200	A1	11/2010	Lush	
2011/0083609	A1	4/2011	Cote	
2011/0088626	A1	4/2011	Hepp et al.	
2011/0180004	A1	7/2011	Humphries et al.	
2011/0226186	A1	9/2011	Hunter et al.	
2012/0037080	A1	2/2012	Hepp et al.	
2012/0055410	A1	3/2012	Cote	
2012/0234249	A1	9/2012	Gaze	

OTHER PUBLICATIONS

U.S. Appl. No. 13/855,565, filed Apr. 2, 2013, Donegan et al.
 U.S. Appl. No. 13/901,321, filed May 23, 2013, Carter et al.
 Non-Final Office Action, U.S. Appl. No. 13/107,841, mailed Aug. 19, 2013, 20 pages.

Non-Final Office Action, U.S. Appl. No. 13/855,565, mailed Sep. 27, 2013, 32 pages.
 Non-Final Office Action, U.S. Appl. No. 13/855,523, mailed Sep. 30, 2013, 29 pages.
 Non-Final Office Action, U.S. Appl. No. 13/420,086, mailed Oct. 7, 2013, 23 pages.
 Response to Non-Final Office Action, U.S. Appl. No. 13/107,841, filed Jan. 22, 2014, 12 pages.
 Response to Non-Final Office Action, U.S. Appl. No. 13/855,565, filed Jan. 27, 2014, 6 pages.
 Response to Non-Final Office Action, U.S. Appl. No. 13/855,523, filed Jan. 27, 2014, 6 pages.
 Ex Parte Quayle Action, Design U.S. Appl. No. 29/387,515, mailed Jun. 20, 2012, 5 pages.
 Final Office Action, U.S. Appl. No. 13/107,841, mailed Jan. 9, 2013, 22 pages.
 Final Quayle Action, Design U.S. Appl. No. 29/387,515, mailed Aug. 28, 2012, 5 pages.
 Non-Final Office Action, U.S. Appl. No. 13/107,841, mailed Jun. 27, 2012, 9 pages.
 Non-Final Office Action, U.S. Appl. No. 29/387,516, mailed Jul. 6, 2012, 7 pages.
 Notice of Allowance, Design U.S. Appl. No. 29/387,519, mailed Sep. 13, 2012, 11 pages.
 Notice of Allowance, Design U.S. Appl. No. 29/387,520, mailed Jun. 15, 2012, 10 pages.
 Notice of Allowance, U.S. Appl. No. 29/387,515, mailed Dec. 18, 2012, 14 pages.
 Notice of Allowance, U.S. Appl. No. 29/387,516, mailed Nov. 13, 2012, 11 pages.
 Notice of Allowance, U.S. Appl. No. 29/387,518, mailed Dec. 21, 2012, 24 pages.
 Notice of Allowance, U.S. Appl. No. 29/387,520, mailed Dec. 21, 2012, 8 pages.
 Notice of Allowance, U.S. Appl. No. 29/416,886, mailed Jan. 10, 2013, 15 pages.
 Notice of Allowance, U.S. Appl. No. 29/416,887, mailed Dec. 26, 2012, 15 pages.
 Response to Ex Parte Quayle Action, U.S. Appl. No. 29/387,515, filed Aug. 20, 2012, 7 pages.
 Response to Final Office Action, Design U.S. Appl. No. 29/387,515, filed Nov. 19, 2012, 4 pages.
 Response to Non-Final Office Action, Design U.S. Appl. No. 29/387,516, filed Nov. 6, 2012, 10 pages.
 Response to Non-Final Office Action, U.S. Appl. No. 13/107,841, filed Nov. 27, 2012, 21 pages.
 Response to Restriction Requirement, Design U.S. Appl. No. 29/387,519, filed Jul. 5, 2012, 2 pages.
 Restriction Requirement, Design U.S. Appl. No. 29/387,519, mailed Jun. 13, 2012, 4 pages.
 U.S. Appl. No. 13/107,841, filed May 13, 2011, Donegan et al.
 U.S. Appl. No. 13/420,063, filed Mar. 14, 2012, Carter et al.
 U.S. Appl. No. 29/387,515, filed Mar. 14, 2011, Carter et al.
 U.S. Appl. No. 29/387,516, filed Mar. 14, 2011, Carter.
 U.S. Appl. No. 29/387,518, filed Mar. 14, 2011, Krueger et al.
 U.S. Appl. No. 29/387,519, filed Mar. 14, 2011, Carter.
 U.S. Appl. No. 29/387,520, filed Mar. 14, 2011, Krueger.
 U.S. Appl. No. 13/420,086, filed Mar. 14, 2012, Carter et al.
 U.S. Appl. No. 29/416,886, filed Mar. 28, 2012, Carter.
 U.S. Appl. No. 29/416,887, filed Mar. 28, 2012, Carter.
 Response to Final Office Action, U.S. Appl. No. 13/107,841, filed Jul. 8, 2013, 10 pages.

* cited by examiner

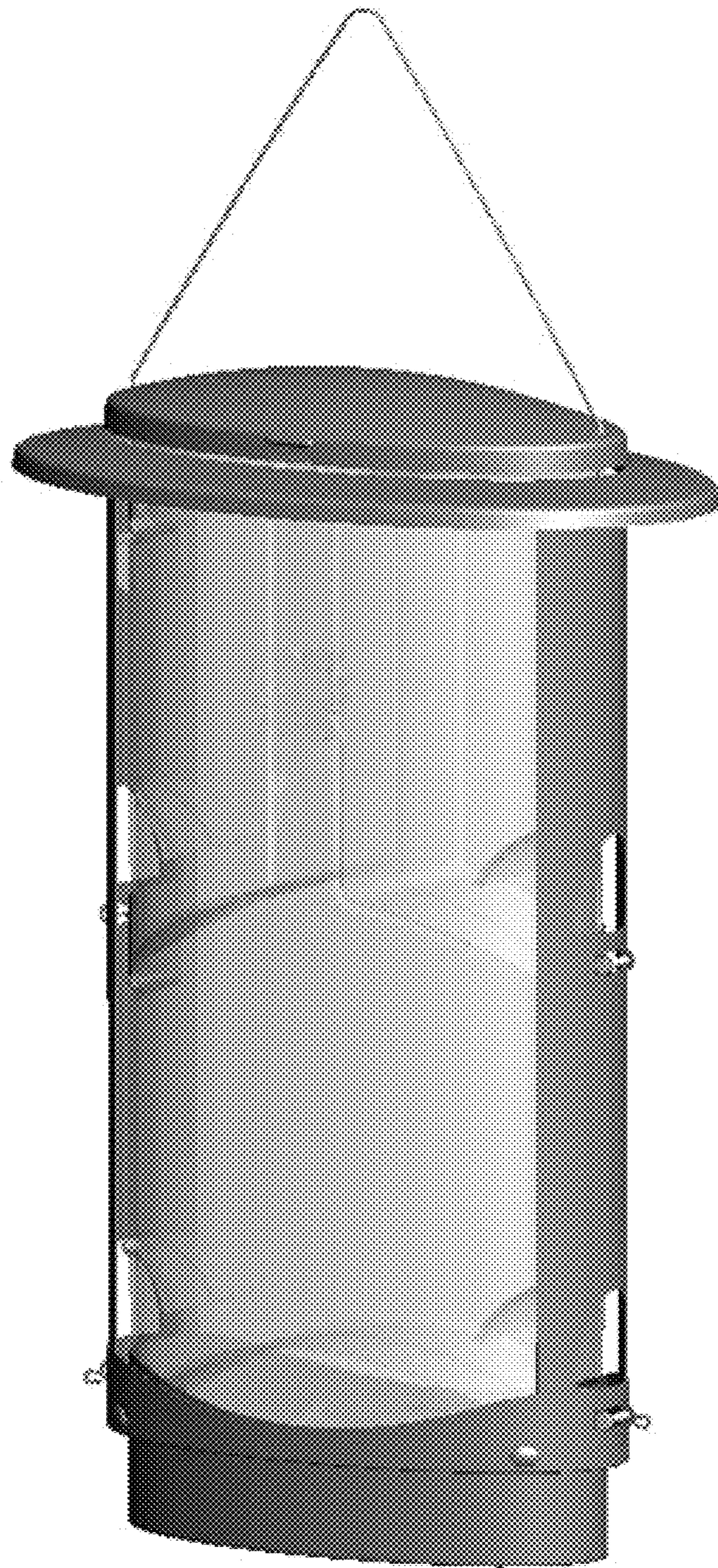


FIG. 1

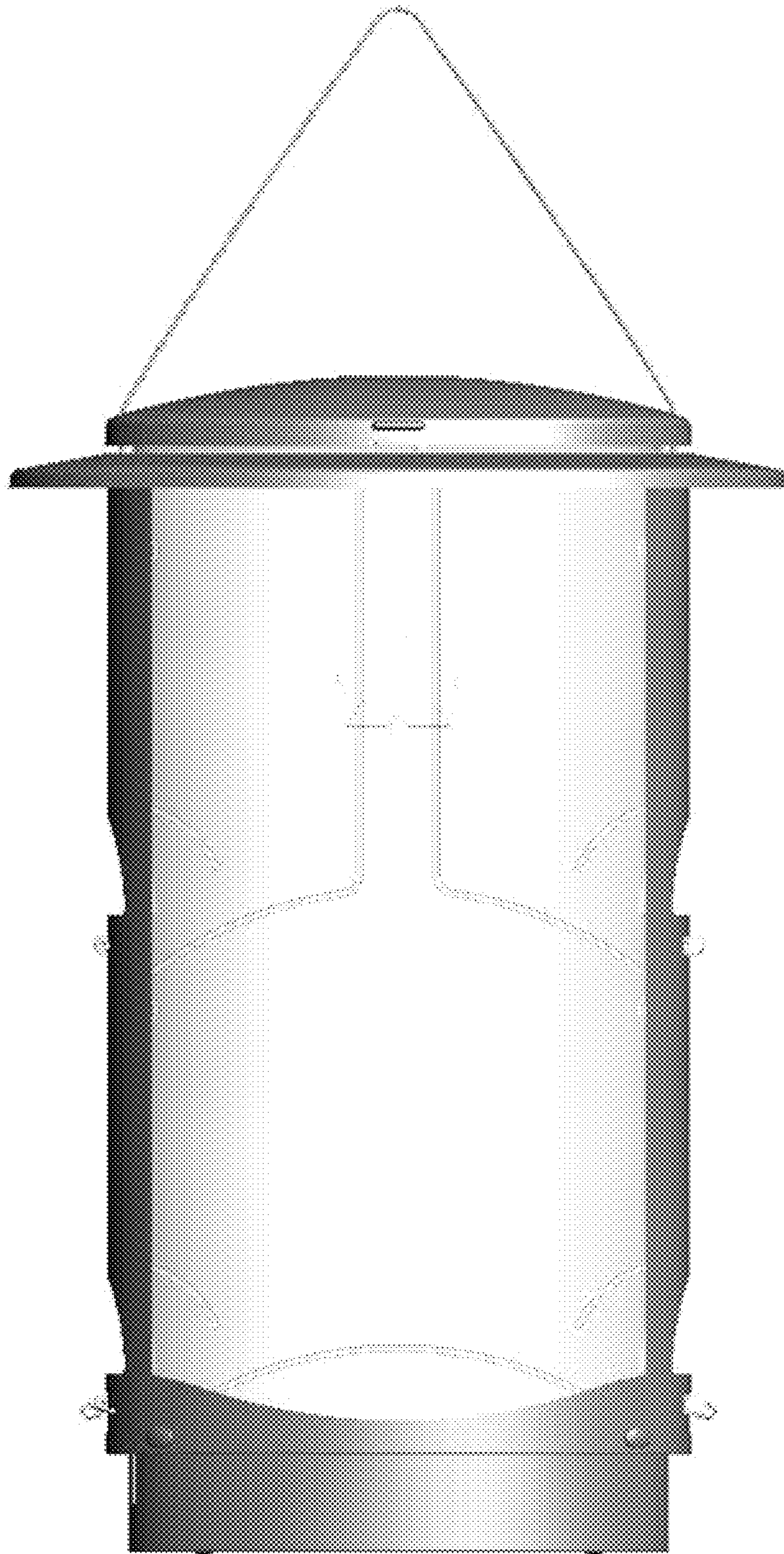


FIG. 2

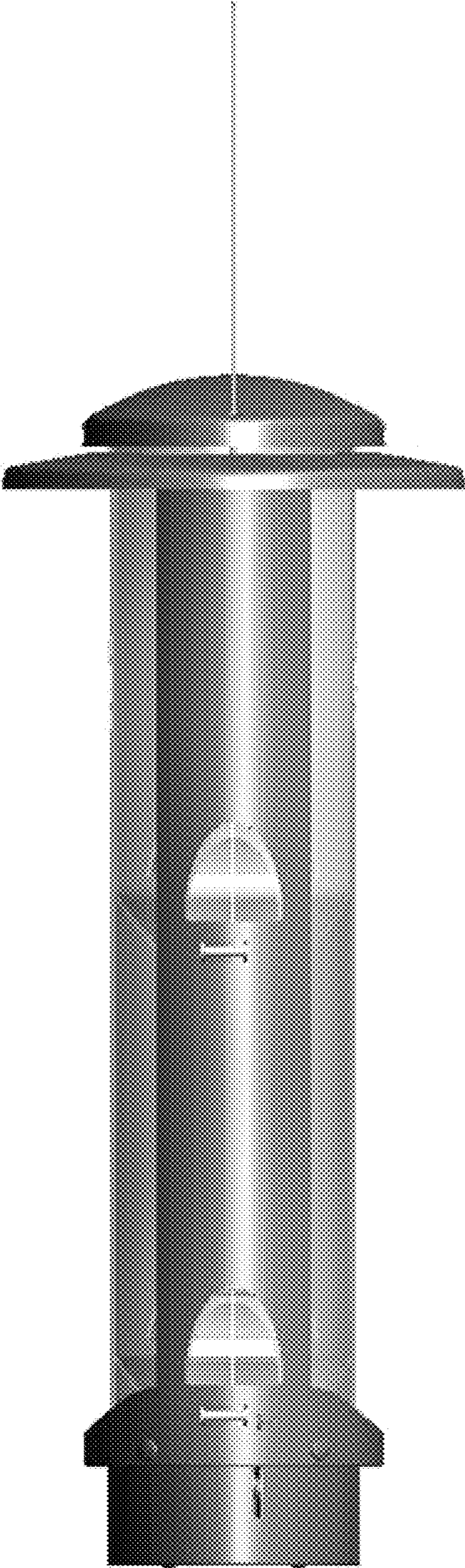


FIG. 3

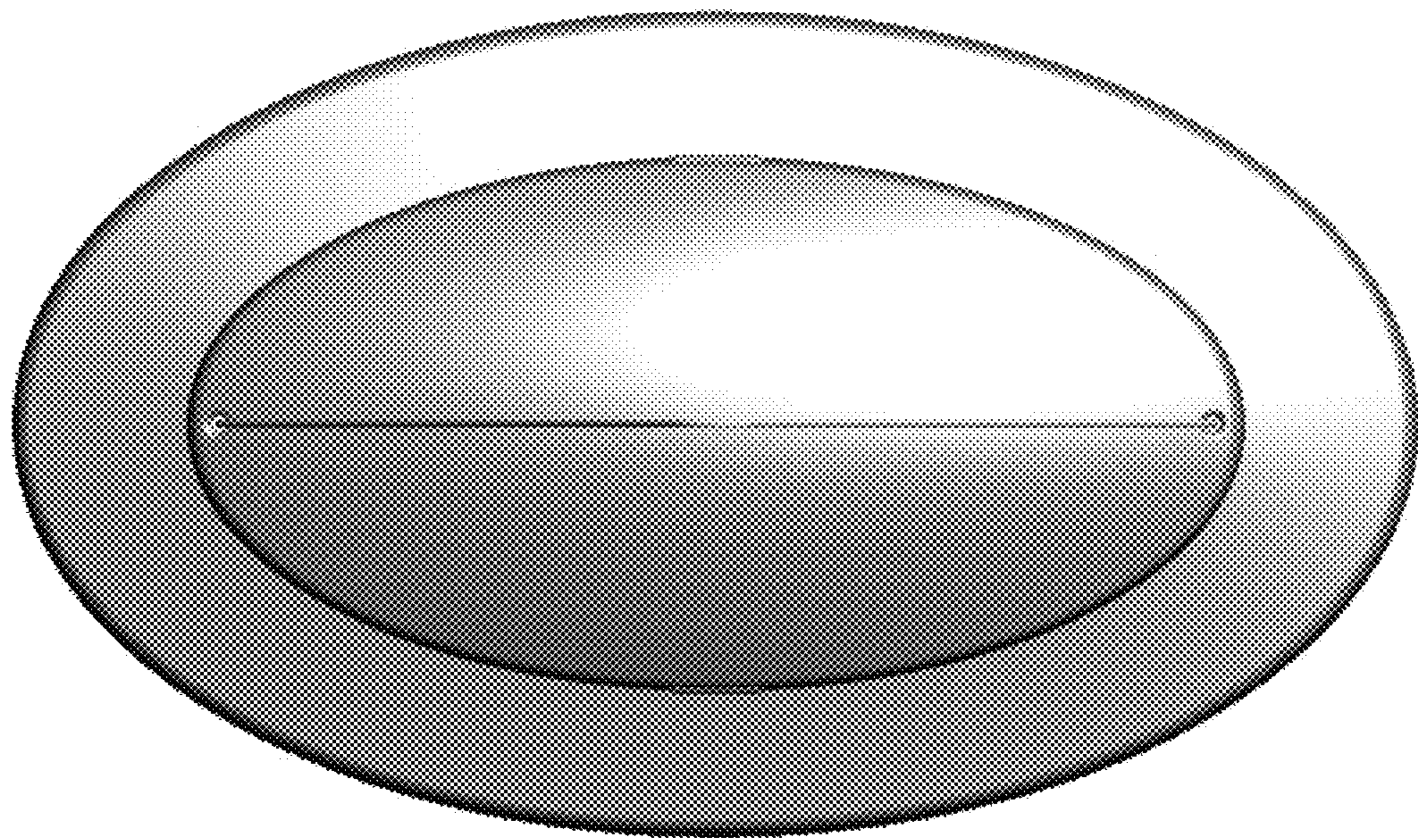


FIG. 4

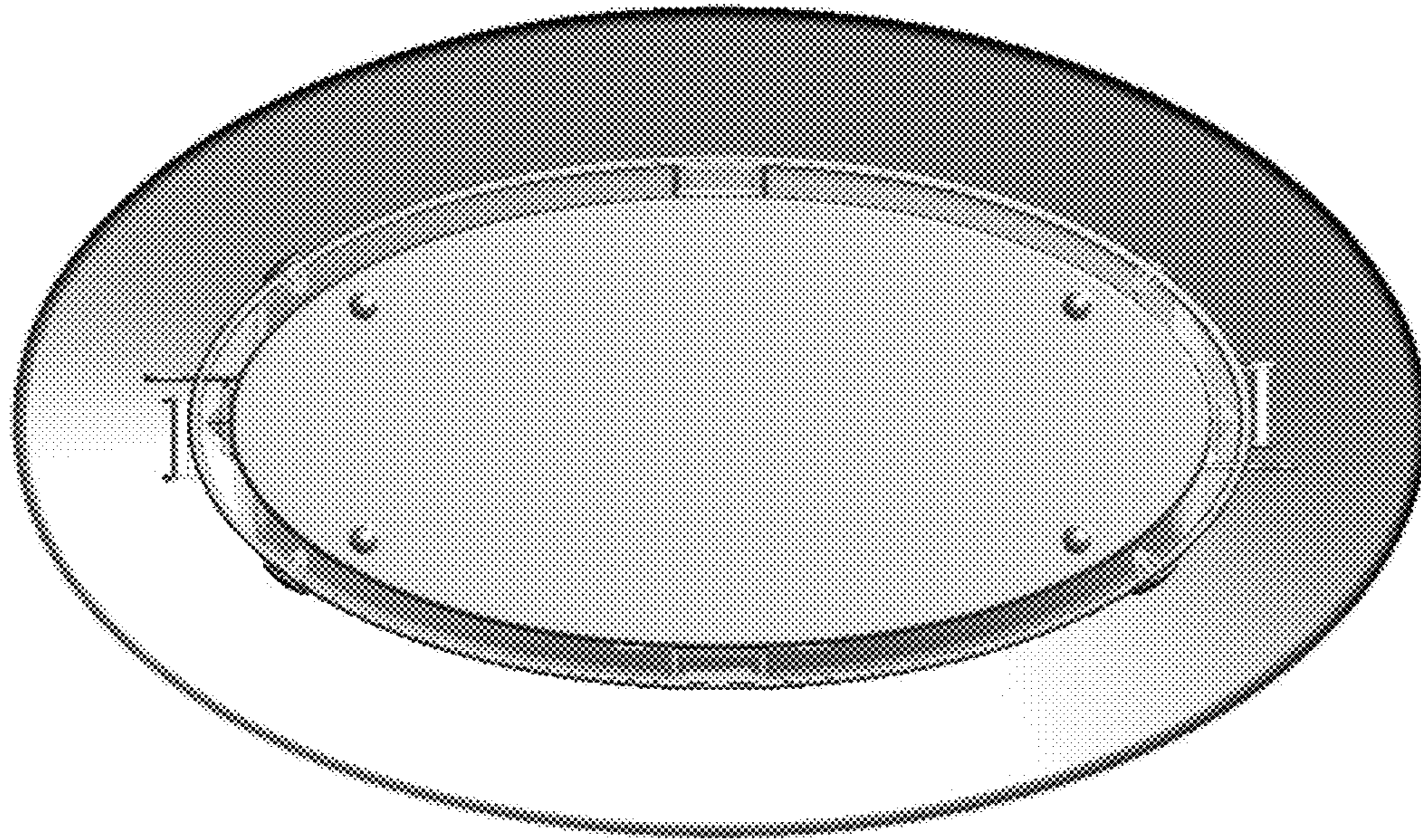


FIG. 5