



US00D725314S

(12) **United States Design Patent**
Clark, Jr.

(10) **Patent No.:** **US D725,314 S**
(45) **Date of Patent:** **** Mar. 24, 2015**

(54) **POULTRY NESTING BOX**

(71) Applicant: **Benjamin T. Clark, Jr.**, South Bend, IN (US)

(72) Inventor: **Benjamin T. Clark, Jr.**, South Bend, IN (US)

(**) Term: **14 Years**

(21) Appl. No.: **29/451,754**

(22) Filed: **Apr. 8, 2013**

(51) **LOC (10) Cl.** **30-02**

(52) **U.S. Cl.**
USPC **D30/110**

(58) **Field of Classification Search**
USPC D30/110, 111, 124, 126, 118; 119/28.5, 119/329, 335, 336, 347, 468, 482, 487, 537
See application file for complete search history.

(56) **References Cited**

U.S. PATENT DOCUMENTS

1,923,980 A *	8/1933	Hultine	119/329
D320,479 S *	10/1991	Cheval et al.	D30/108
D650,534 S *	12/2011	Bormann	D30/110

* cited by examiner

Primary Examiner — Cathy A MacCormac

(74) *Attorney, Agent, or Firm* — R. Tracy Crump

(57) **CLAIM**

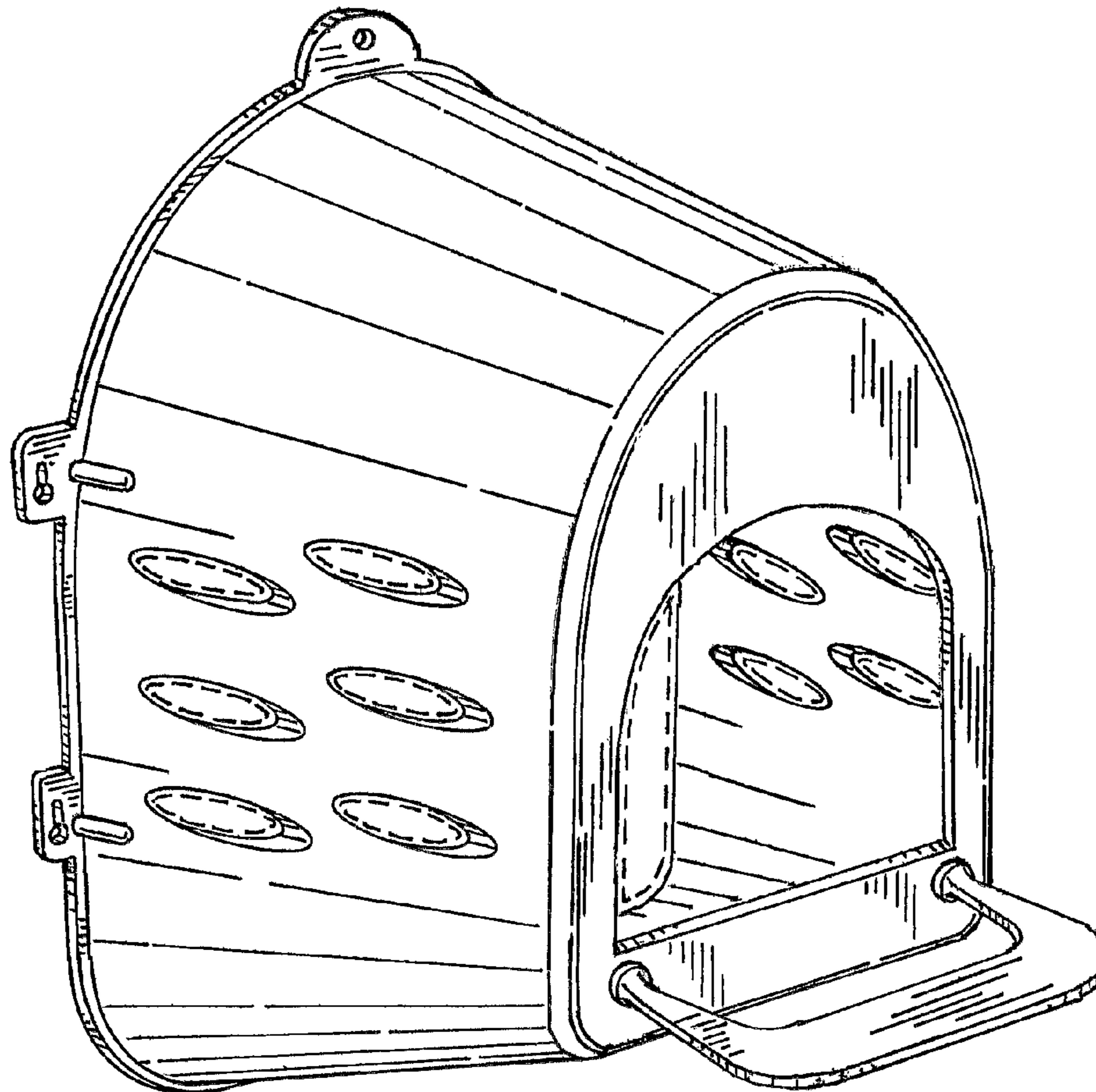
I claim the ornamental design of a poultry nesting box, as shown and described.

DESCRIPTION

FIG. 1 is a perspective view of a poultry nesting box showing my design;
FIG. 2 is a front view thereof;
FIG. 3 is a rear view thereof;
FIG. 4 is a left side view thereof;
FIG. 5 is a right side view thereof;
FIG. 6 is a top view thereof; and,
FIG. 7 is a bottom view thereof.

The broken lines on FIGS. 1-5 represent boundary lines, are for illustration only and form no part of the claimed design. The areas inside the boundary lines form no part of the claimed design.

1 Claim, 4 Drawing Sheets



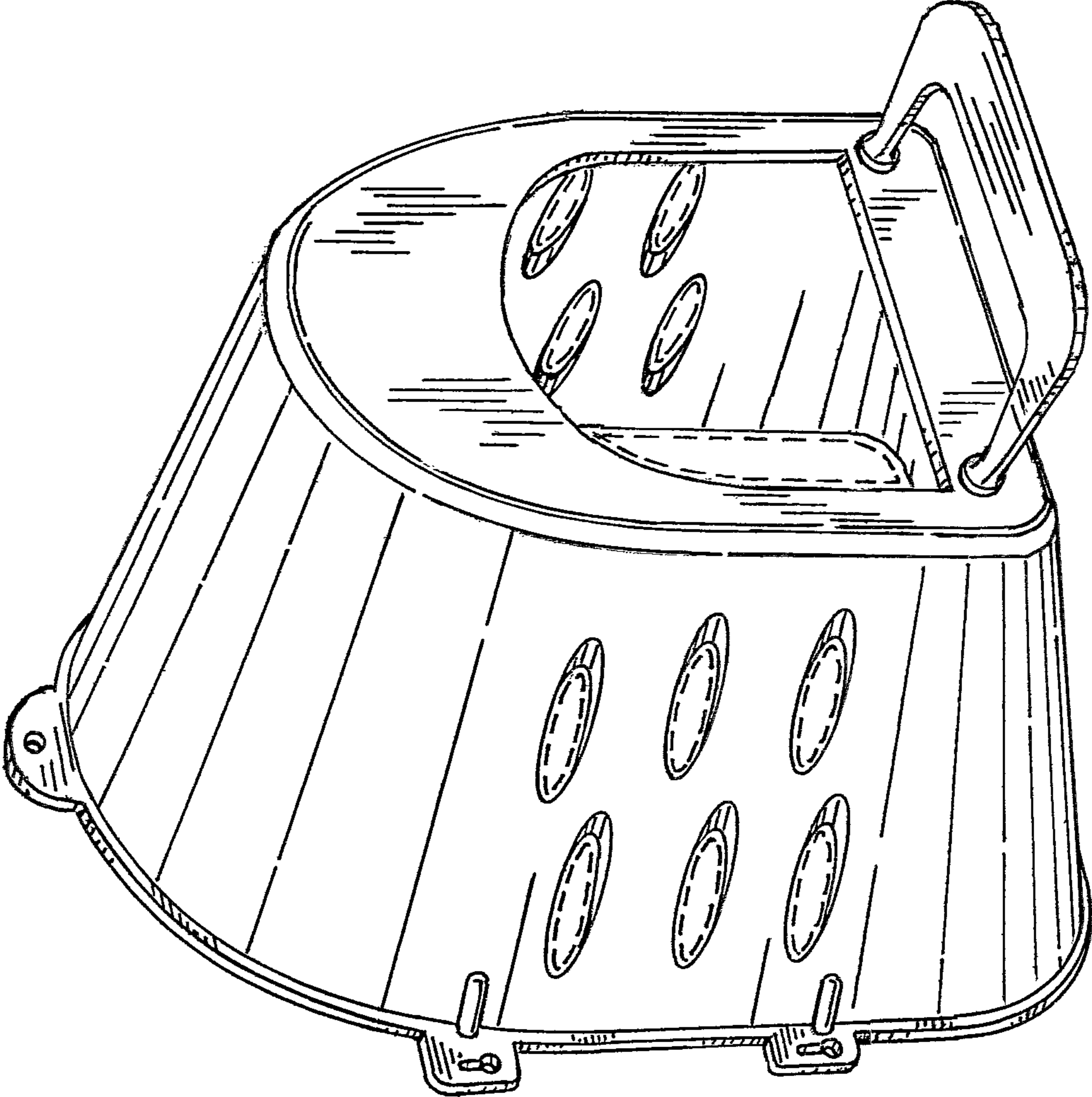


FIG. 1

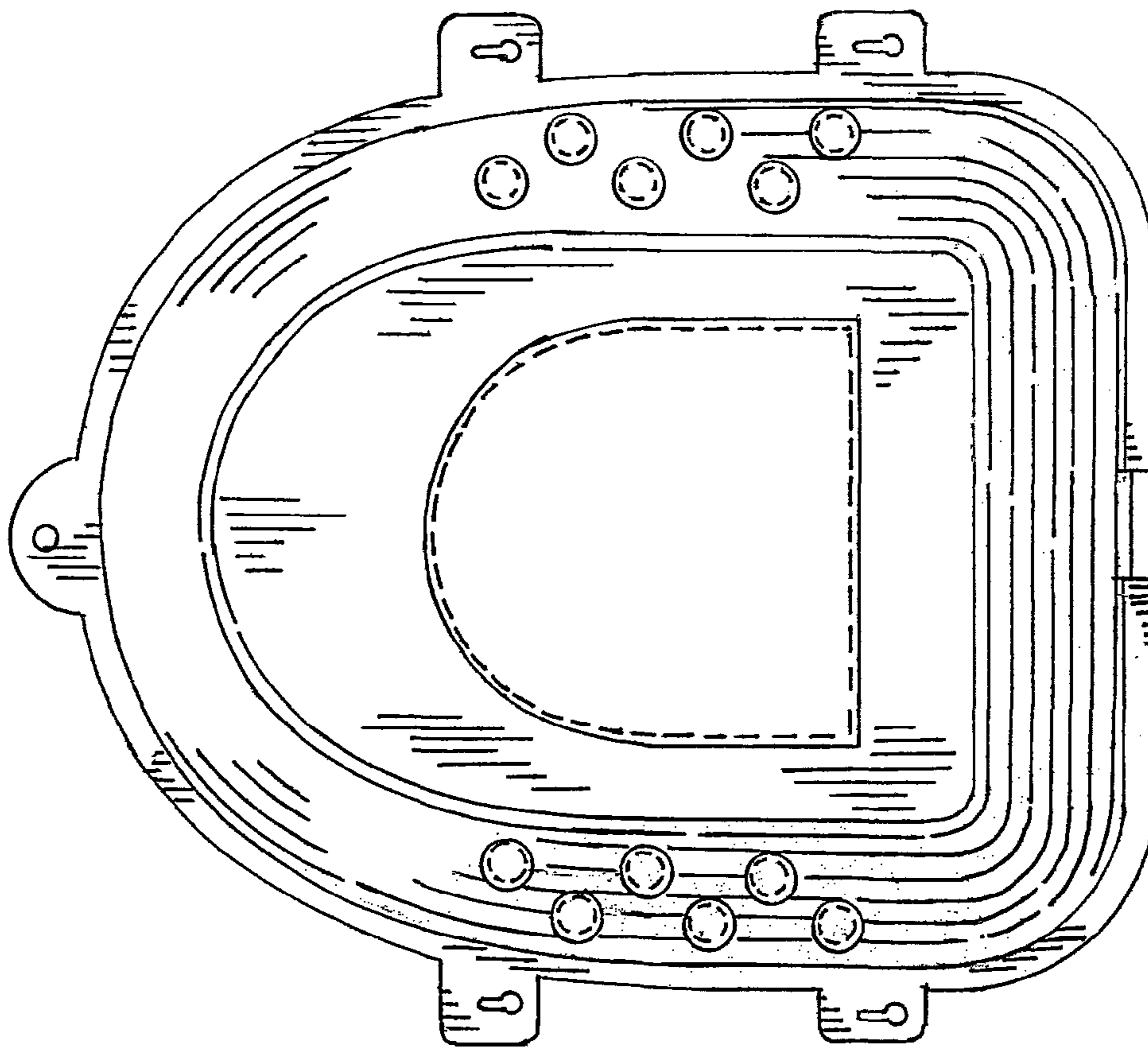


FIG. 3

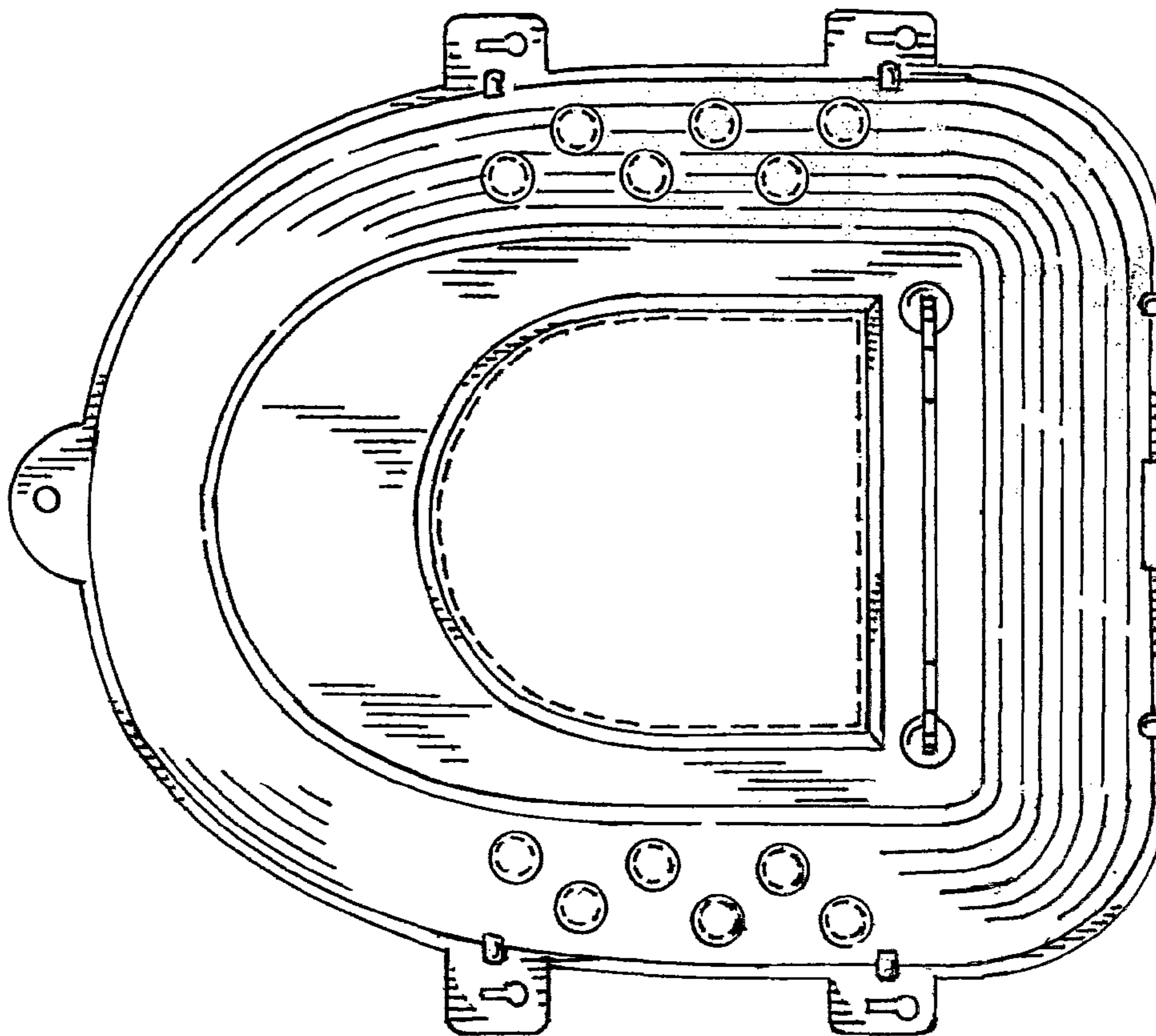


FIG. 2

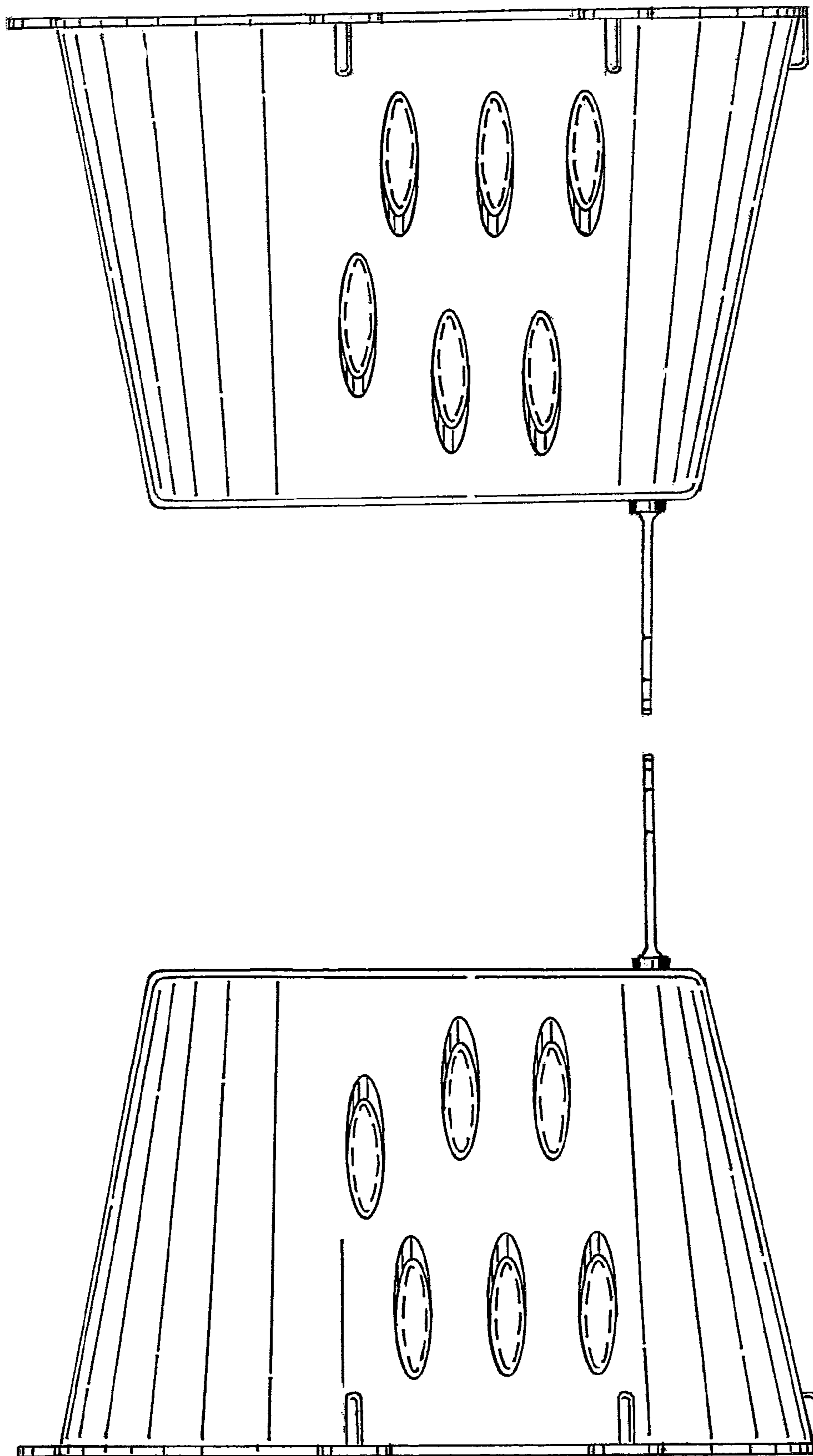


FIG. 5

FIG. 4

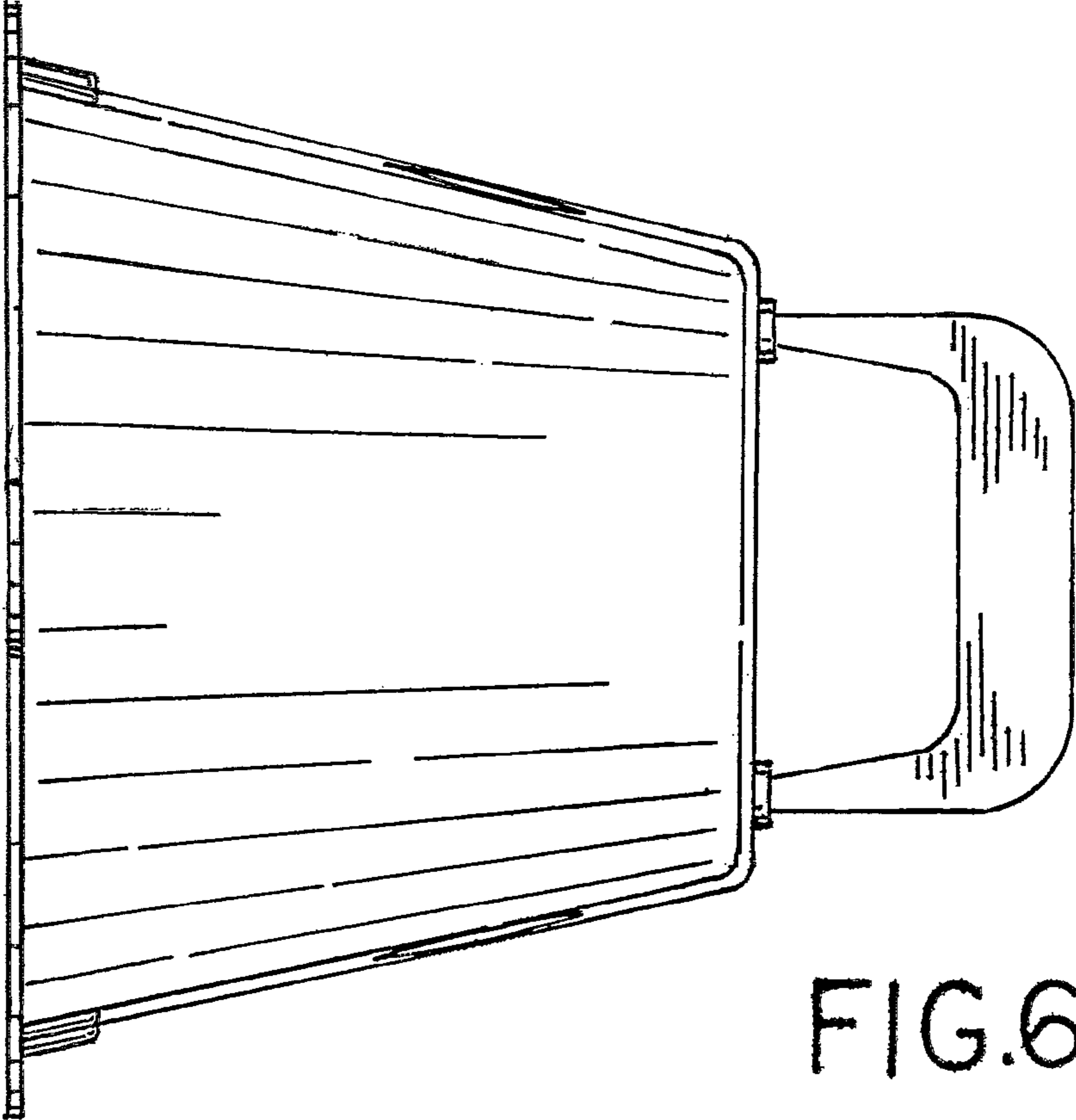


FIG. 6

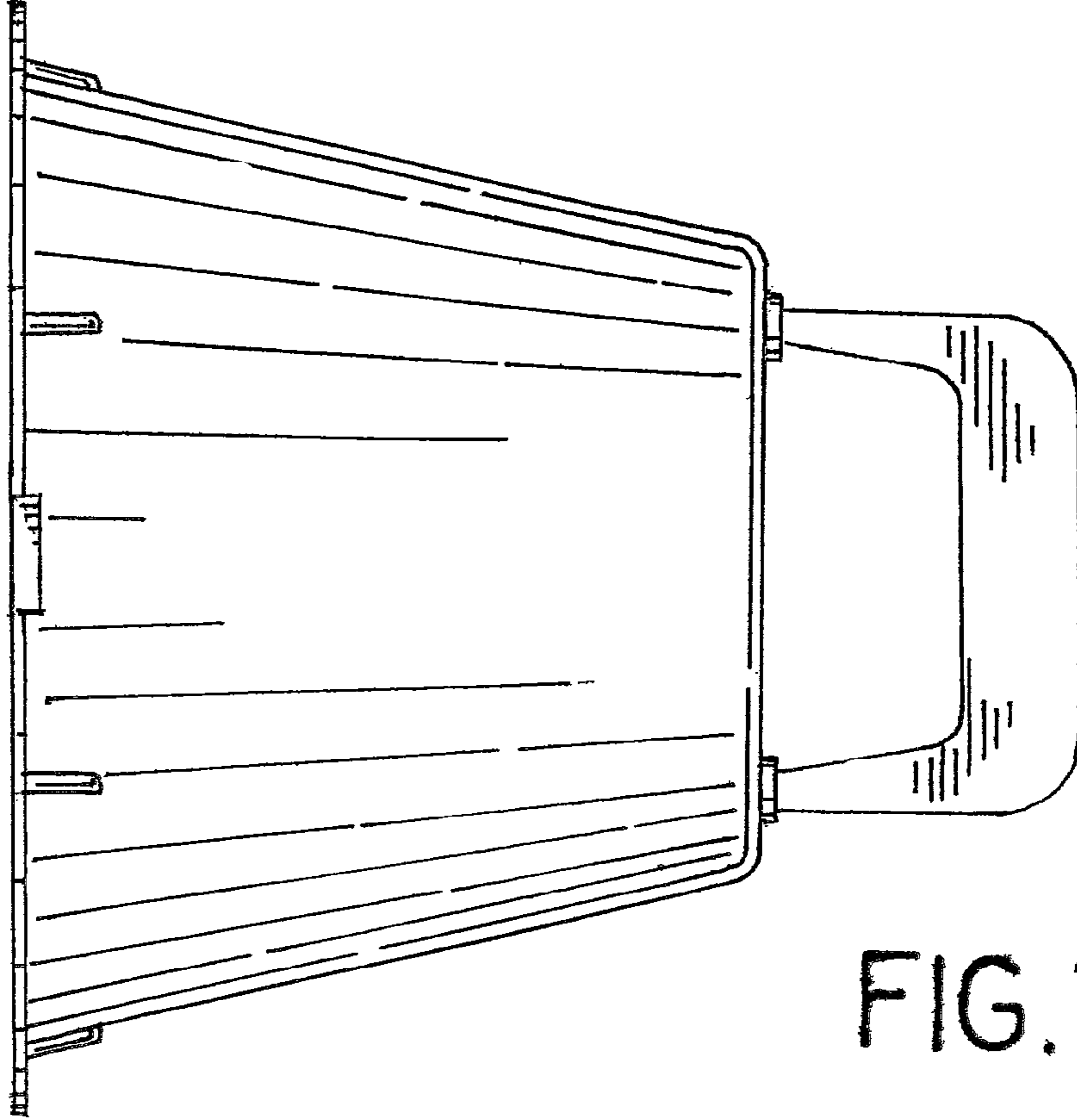


FIG. 7