



US00D725307S

(12) **United States Design Patent**
Guercio et al.

(10) **Patent No.:** **US D725,307 S**
(45) **Date of Patent:** **** Mar. 24, 2015**

(54) **WATERPROOF TUBE-SHAPED LED LIGHT
FIXTURE**

(71) Applicant: **RAB Lighting Inc.**, Northvale, NJ (US)

(72) Inventors: **Vincenzo Guercio**, Wallkill, NY (US);
Wengang Gao, Ningbo (CN)

(73) Assignee: **RAB Lighting Inc.**, Northvale, NJ (US)

(**) Term: **14 Years**

(21) Appl. No.: **29/507,437**

(22) Filed: **Oct. 28, 2014**

(51) **LOC (10) Cl.** **26-03**

(52) **U.S. Cl.**
USPC **D26/89**

(58) **Field of Classification Search**
USPC D26/72, 76, 80, 85, 89, 118, 128;
362/147, 235, 311.01, 311.02, 545,
362/546, 432
See application file for complete search history.

(56) **References Cited**

U.S. PATENT DOCUMENTS

D87,355 S *	7/1932	Pospisil	D26/72
D110,165 S *	6/1938	Arenberg	D26/85
D122,582 S *	9/1940	Biller	D26/76
D127,890 S *	6/1941	Ohm	D26/76
D127,892 S *	6/1941	Ohm	D26/76
D129,836 S *	10/1941	Koegel	D26/76
D141,068 S *	5/1945	Maurette	D26/76
D180,531 S *	6/1957	Stevens	D26/128
D180,537 S *	6/1957	Stevens	D26/76
D246,330 S *	11/1977	Krase et al.	D26/76

D315,416 S *	3/1991	Ziaylek et al.	D26/28
D330,438 S *	10/1992	Herst et al.	D26/85
D579,138 S *	10/2008	Ghini	D26/76
D579,139 S *	10/2008	Ghini	D26/76
D584,444 S *	1/2009	Lipson	D26/85
D584,844 S *	1/2009	Ghini	D26/76
D617,935 S *	6/2010	Miletich et al.	D26/76
D649,673 S *	11/2011	Liang et al.	D26/72
D650,507 S *	12/2011	Osiecki et al.	D26/72
D665,524 S *	8/2012	Bush et al.	D26/76
D717,483 S *	11/2014	Barnes et al.	D26/72

* cited by examiner

Primary Examiner — Clare E Heflin

(74) *Attorney, Agent, or Firm* — SmithAmundsen LLC;
Kelly J. Smith; Dennis S. Schell

(57) **CLAIM**

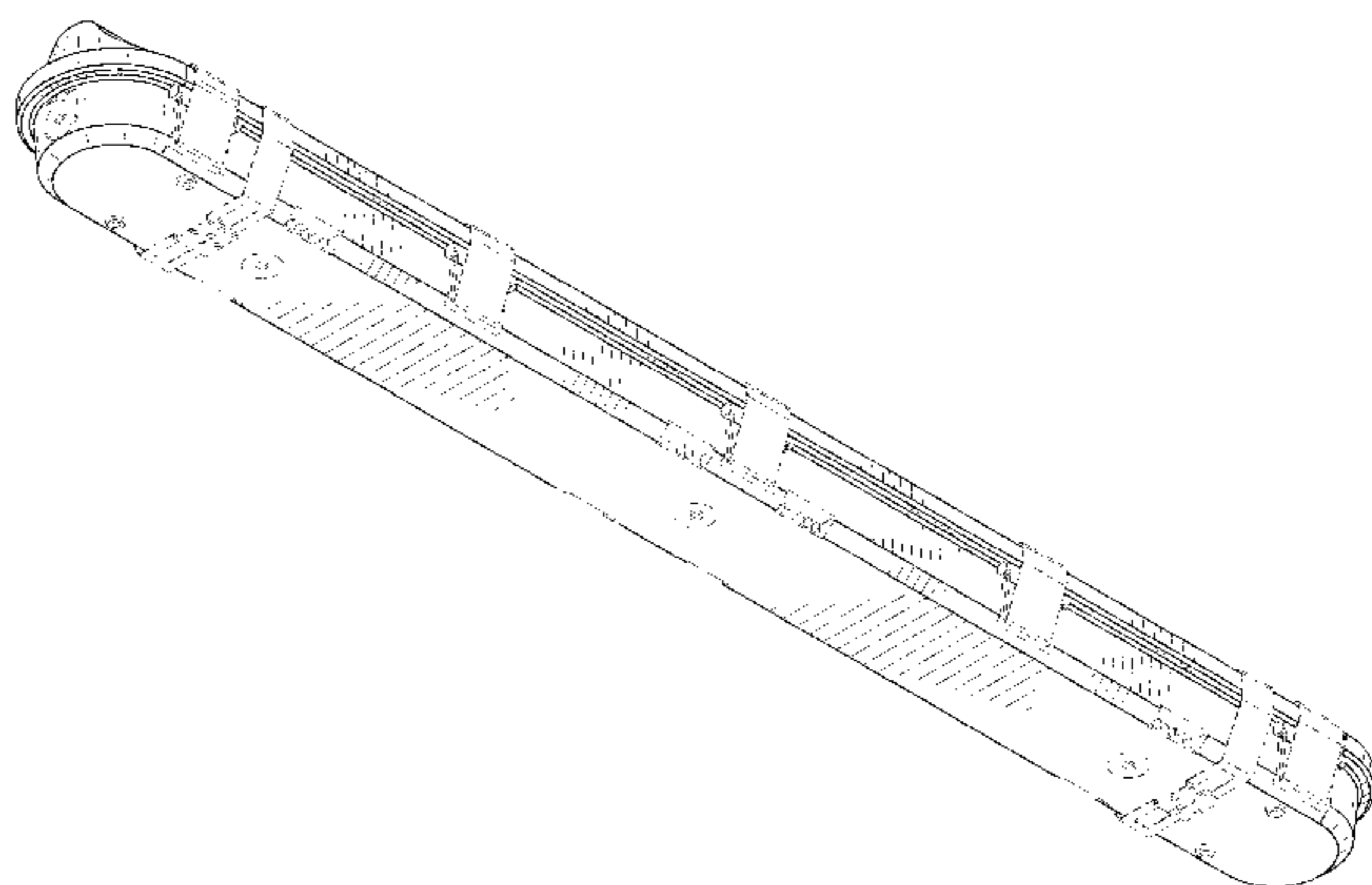
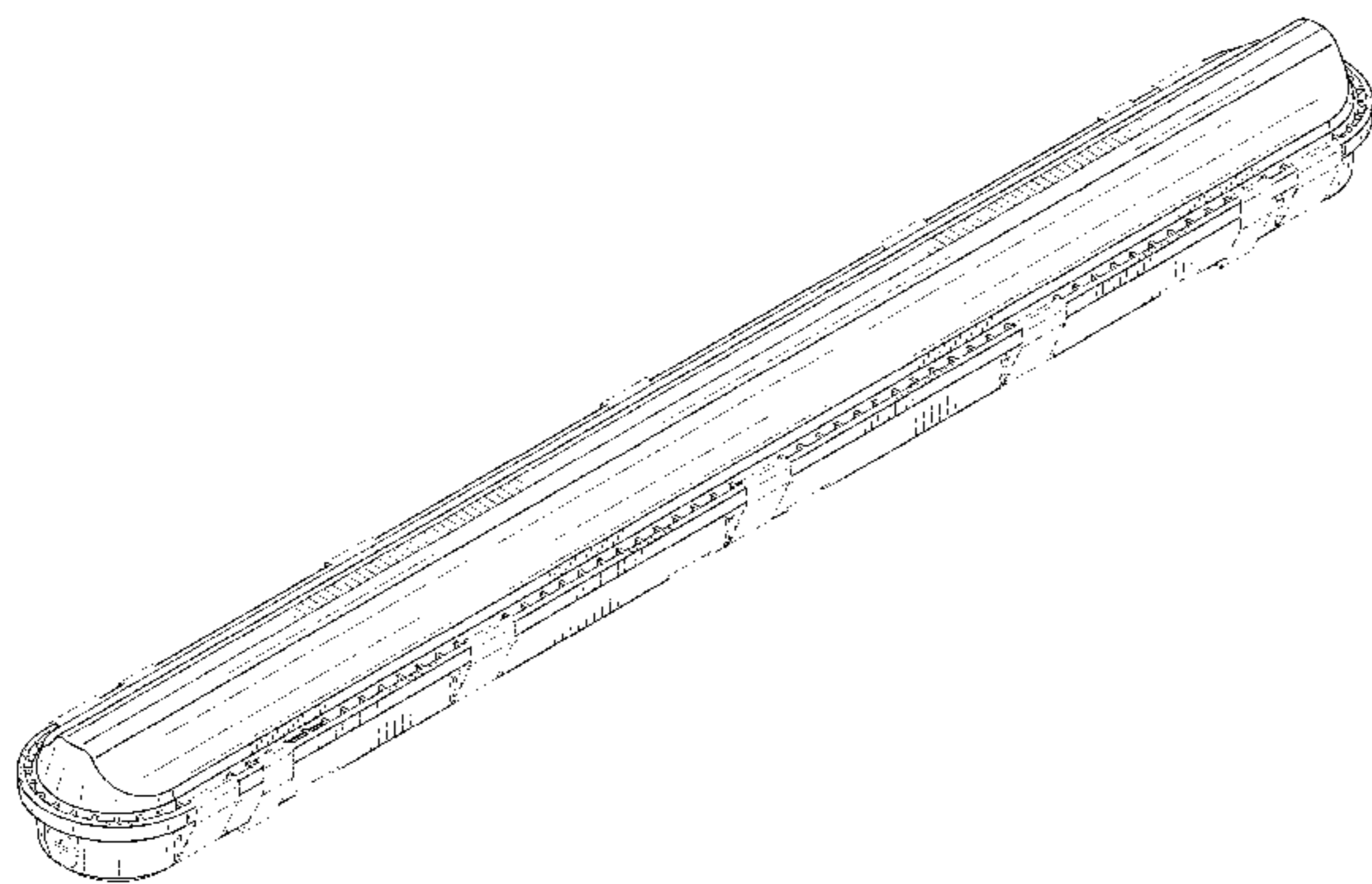
The ornamental design for a waterproof tube-shaped LED light fixture, as shown and described.

DESCRIPTION

FIG. 1 is a bottom perspective view of the new design;
FIG. 2 is a top perspective view of the new design;
FIG. 3 is a bottom view of the new design;
FIG. 4 is a top view of the new design;
FIG. 5 is a left side view of the new design; and,
FIG. 6 is a front view of the new design.

The broken lines shown in the drawings are for the purpose of illustrating portions of the article that form no part of the claimed design. The right side view of the new design is a mirror image of the left side view of the new design and is therefore omitted. Similarly, the rear view of the new design is a mirror image of the front view of the new design and is therefore omitted.

1 Claim, 4 Drawing Sheets



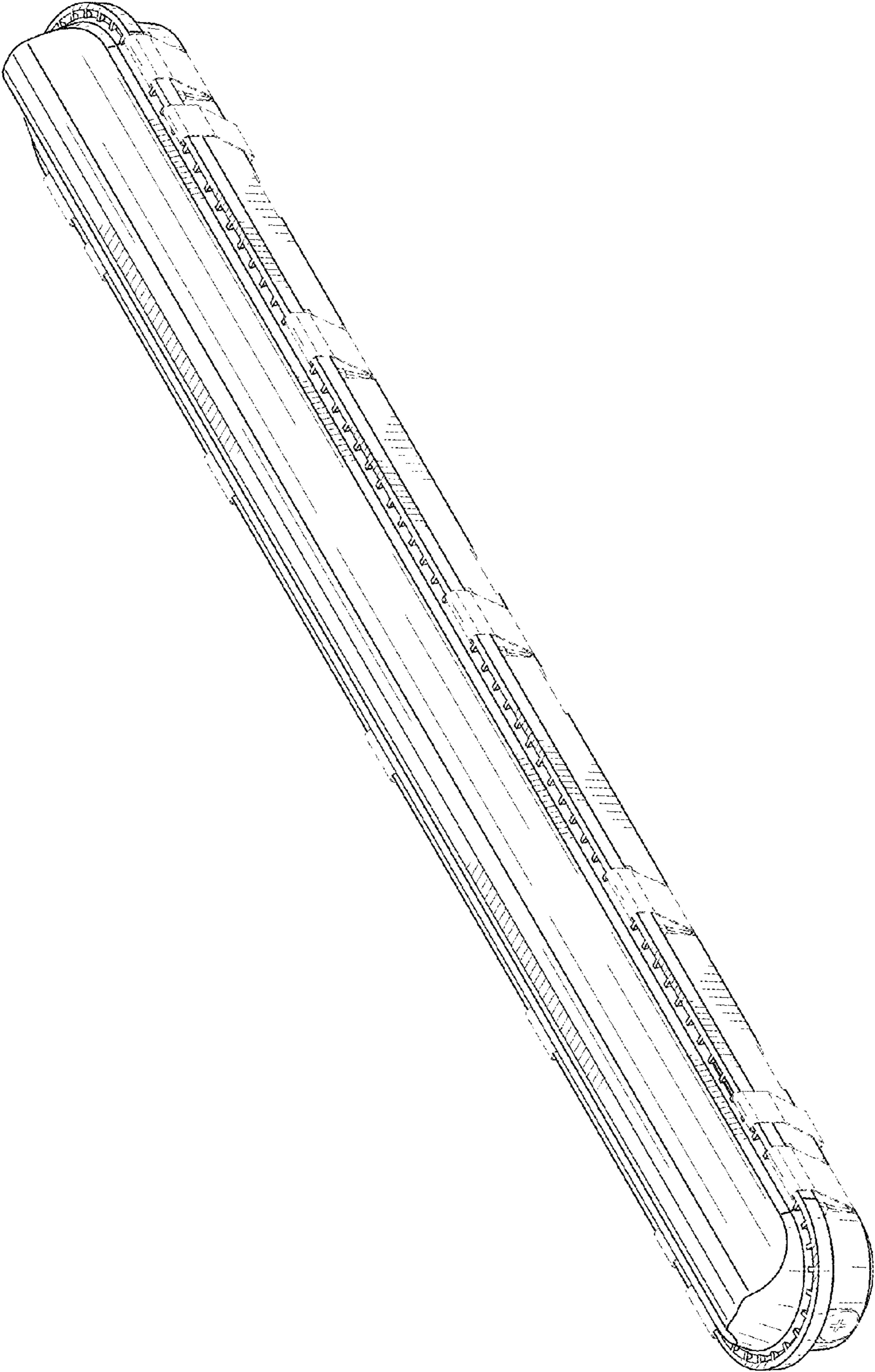


FIG. 1

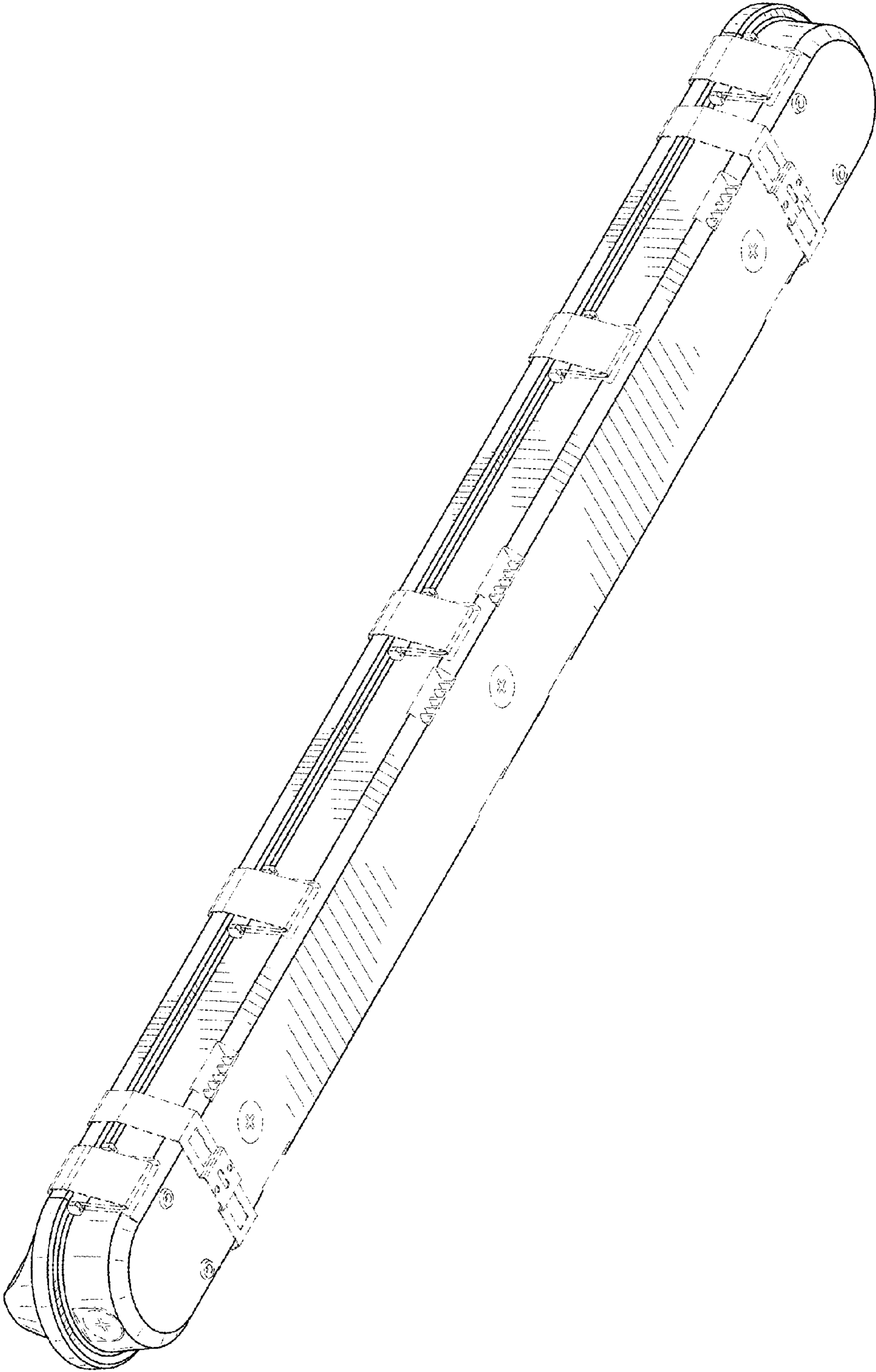


FIG. 2

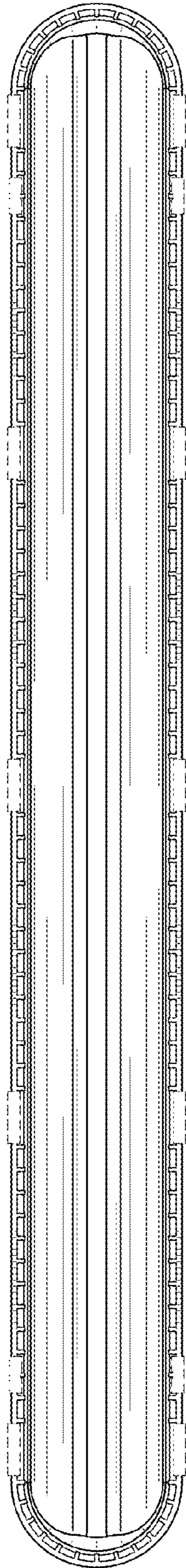


FIG. 3

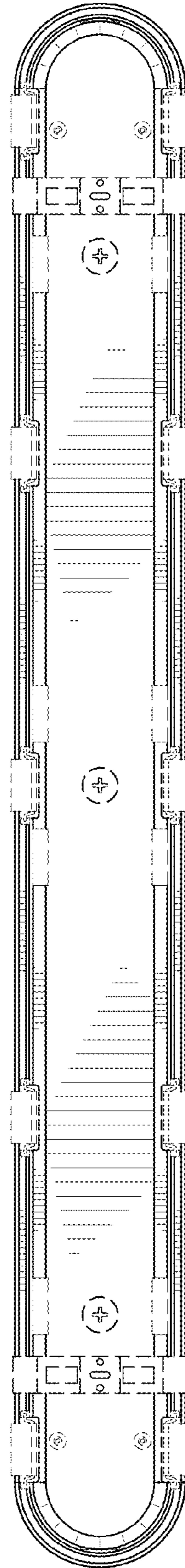


FIG. 4

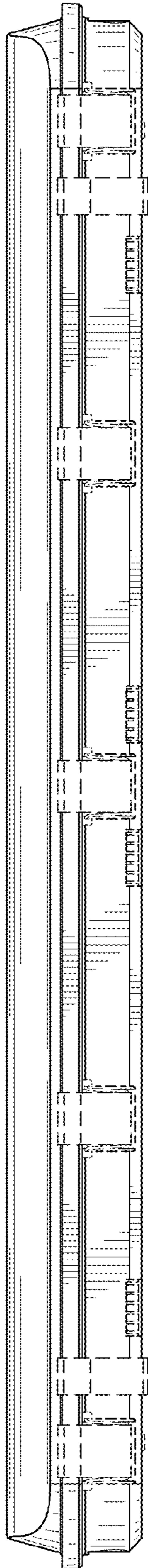


FIG. 5

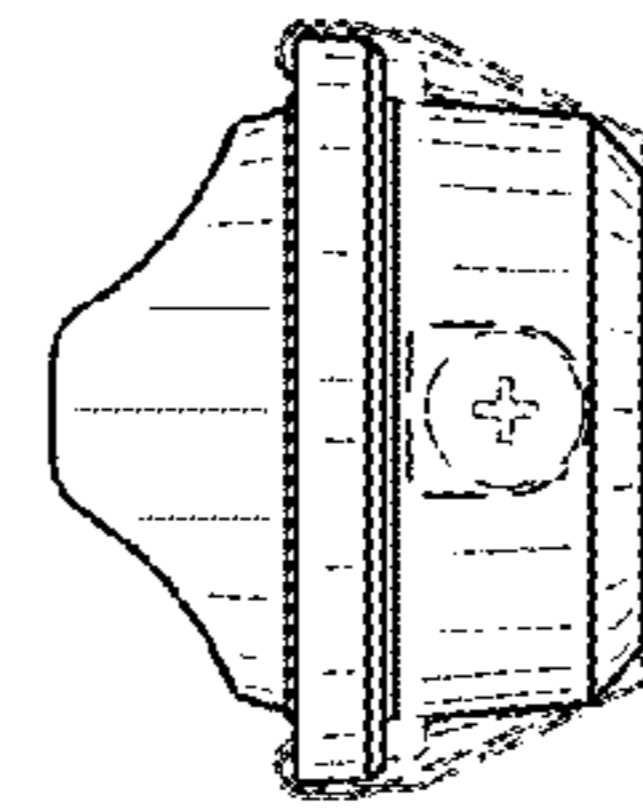


FIG. 6