



US00D725305S

(12) **United States Design Patent**  
**Nelson et al.**

(10) **Patent No.:** **US D725,305 S**  
(45) **Date of Patent:** **\*\* Mar. 24, 2015**

- (54) **ANNULUS SHAPED LUMINAIRE**
- (71) Applicant: **ABL IP Holding LLC**, Conyers, GA (US)
- (72) Inventors: **Peter K. Nelson**, Denver, CO (US); **Kevin Franklin Leadford**, Evergreen, CO (US); **Christopher J. Sorensen**, Denver, CO (US); **Christopher D. Slaughter**, Denver, CO (US); **Carl T. Gould**, Golden, CO (US)
- (73) Assignee: **ABL IP Holding LLC**, Conyers, GA (US)
- (\*\*) Term: **14 Years**
- (21) Appl. No.: **29/488,564**
- (22) Filed: **Apr. 21, 2014**
- (51) **LOC (10) Cl.** ..... **26-05**
- (52) **U.S. Cl.**  
USPC ..... **D26/70**
- (58) **Field of Classification Search**  
USPC ..... D26/67-70, 85; 362/145, 152, 153, 431  
See application file for complete search history.

- D578,694 S \* 10/2008 Zeng et al. .... D26/70
- D583,494 S \* 12/2008 Friedman et al. .... D26/68
- D591,884 S \* 5/2009 Tortel ..... D26/67
- D597,696 S \* 8/2009 Sabernig ..... D26/68

(Continued)

**OTHER PUBLICATIONS**

Hess America, Agena 720 LED Specification, web page retrieved from the internet [http://www.hessamerica.com/Products/Lighting/Pole\\_Mounted\\_Luminaire/AGENA/](http://www.hessamerica.com/Products/Lighting/Pole_Mounted_Luminaire/AGENA/), Aug. 19, 2014, 4 pages.

(Continued)

*Primary Examiner* — Clare E Heflin

(74) *Attorney, Agent, or Firm* — Kilpatrick Townsend & Stockton LLP

(57) **CLAIM**

The ornamental design for an annulus shaped luminaire, as shown and described.

**DESCRIPTION**

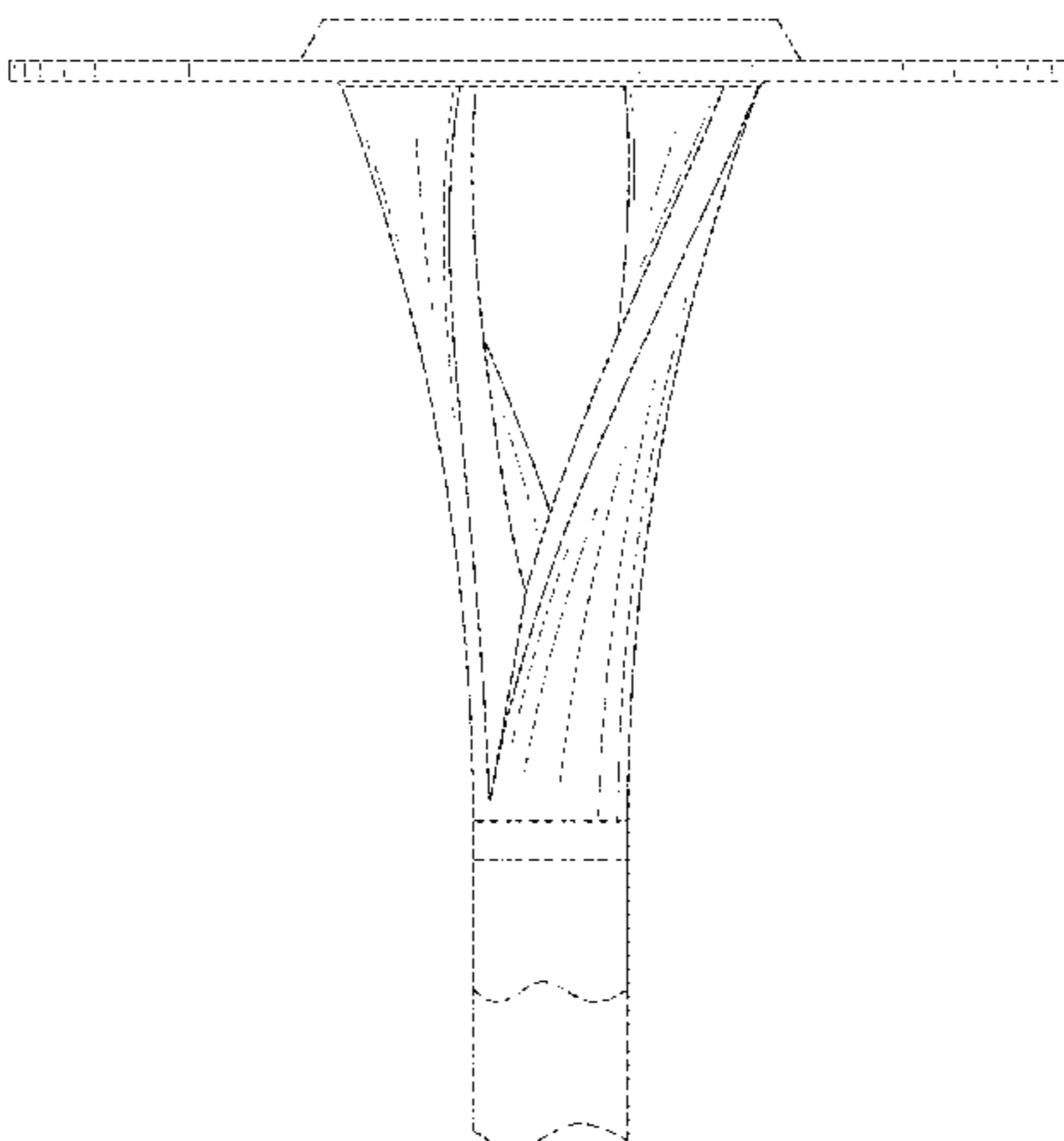
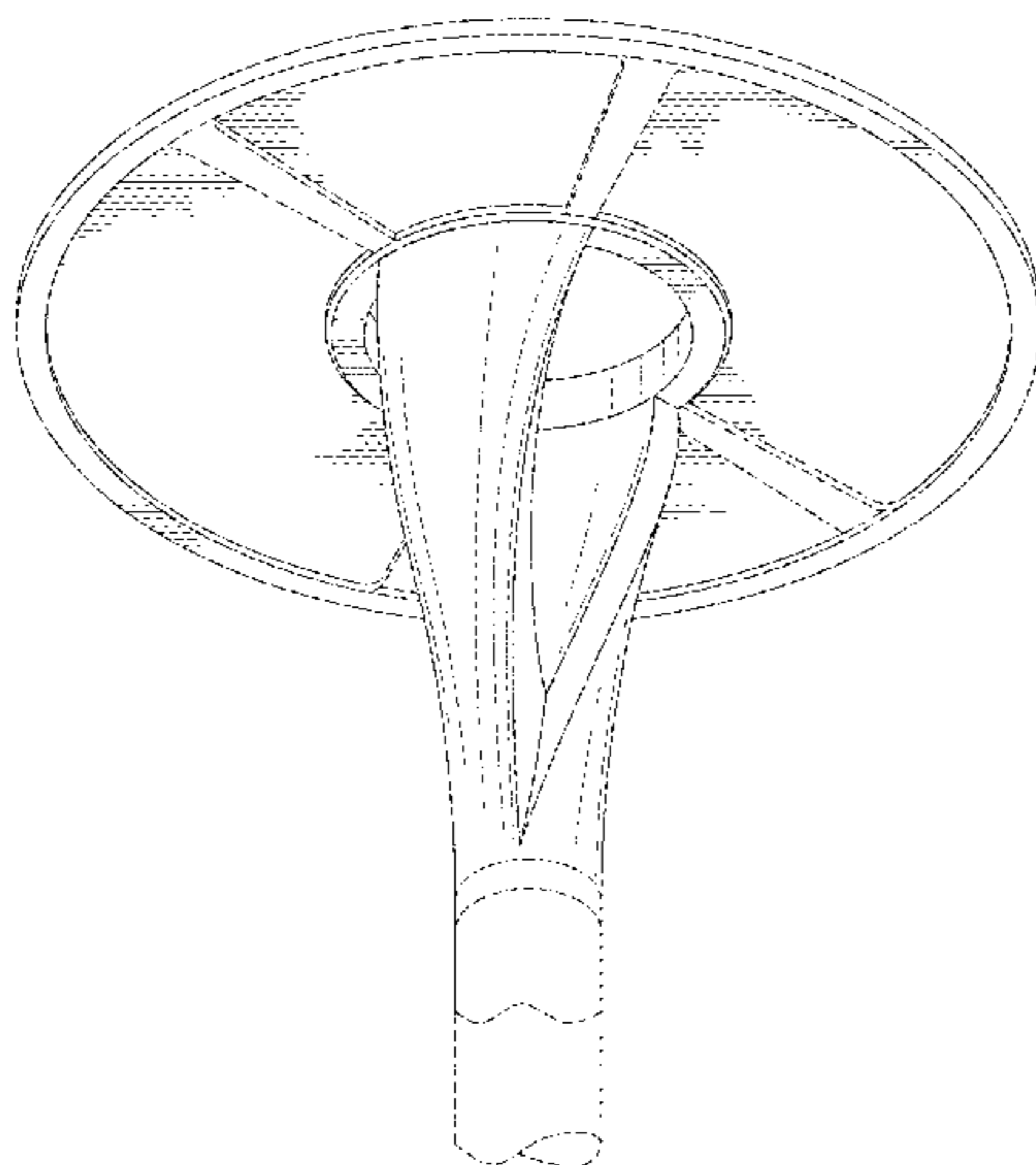
FIG. 1 is a first perspective view, as seen from below, of the annulus shaped luminaire;  
 FIG. 2 is a second perspective view, as seen from below, of the annulus shaped luminaire;  
 FIG. 3 is a front side elevation of the annulus shaped luminaire, a back side elevation of the annulus shaped luminaire being a mirror image thereof;  
 FIG. 4 is a right side elevation of the annulus shaped luminaire, a left side elevation of the annulus shaped luminaire being a mirror image thereof;  
 FIG. 5 is a bottom plan view of the annulus shaped luminaire; and,  
 FIG. 6 is a top plan view of the annulus shaped luminaire.  
 Portions or features of the annulus shaped luminaire not shown in the drawings form no part of the claimed design. Broken lines indicate environmental structure that forms no part of the claimed design.

**1 Claim, 6 Drawing Sheets**

(56) **References Cited**

**U.S. PATENT DOCUMENTS**

- D191,128 S \* 8/1961 Curtin et al. .... D26/67
- D192,125 S \* 1/1962 Lasker ..... D26/67
- D199,077 S \* 9/1964 Turner et al. .... D26/67
- D199,078 S \* 9/1964 Turner et al. .... D26/67
- D199,999 S \* 1/1965 Simon ..... D26/67
- D200,001 S \* 1/1965 Simon ..... D26/67
- D200,214 S \* 2/1965 Simon ..... D26/67
- 3,218,446 A \* 11/1965 Langer ..... 362/86
- D341,221 S 11/1993 Elazari
- D407,842 S \* 4/1999 Landefeld ..... D26/68
- D571,494 S \* 6/2008 Friedman et al. .... D26/67
- D571,496 S \* 6/2008 Lenz ..... D26/68
- D574,103 S \* 7/2008 Minami et al. .... D26/67



(56)

**References Cited**

U.S. PATENT DOCUMENTS

D599,496 S *	9/2009	Lodhie .....	D26/67
D599,935 S *	9/2009	van Klinken .....	D26/67
D601,291 S *	9/2009	Nankil .....	D26/67
D614,789 S *	4/2010	van Klinken .....	D26/67
D615,682 S *	5/2010	van Klinken .....	D26/67
D616,130 S	5/2010	Tortel	
D623,337 S	9/2010	Zheng	
D624,228 S *	9/2010	Nankil .....	D26/67
D627,910 S *	11/2010	Fazzari .....	D26/68
D652,976 S *	1/2012	Soto et al. ....	D26/68
D672,074 S *	12/2012	Compton .....	D26/67
D679,042 S	3/2013	Yu	
2010/0014290 A1	1/2010	Wilcox	

OTHER PUBLICATIONS

Hess America, Avalon 650 Specification, web page retrieved from the internet [http://www.hessamerica.com/Products/Lighting/Pole\\_Mounted\\_Luminaire/AVALON/](http://www.hessamerica.com/Products/Lighting/Pole_Mounted_Luminaire/AVALON/), Aug. 19, 2014, 4 pages.

Louis Poulsen Lighting, Albertslund Maxi Post Production Specification, web page retrieved from [www.louispoulsen.com](http://www.louispoulsen.com) on Aug. 19, 2014, 3 pages.

Selux, Astro 2—flat glass SX 1182 11-9, web page retrieved from [www.selux.com](http://www.selux.com) on Aug. 19, 2014, bearing copyright date of Apr. 2014, 2 pages.

Selux, Saturn 5 SX 470 72-9, web page retrieved from [www.selux.com](http://www.selux.com) on Aug. 19, 2014 bearing copyright date of Sep. 2013, 2 pages.

Selux, Exterior catalogue, (selected pages) retrieved from [www.selux.com](http://www.selux.com) on Aug. 27, 2014 bearing copyright date of 2014, pt. 1, 28 pages.

Selux, Exterior catalogue, (selected pages) retrieved from [www.selux.com](http://www.selux.com) on Aug. 27, 2014 bearing copyright date of 2014, pt. 2, 27 pages.

Selux, Exterior catalogue, (selected pages) retrieved from [www.selux.com](http://www.selux.com) on Aug. 27, 2014 bearing copyright date of 2014, pt. 3, 32 pages.

Selux, Exterior catalogue, (selected pages) retrieved from [www.selux.com](http://www.selux.com) on Aug. 27, 2014, bearing copyright date of 2014, pt. 4, 23 pages.

Lithonia Lighting, Ratio Post Top 1.52 TLPRO152 LED Area Luminaire, web page retrieved from [www.lithonia.com](http://www.lithonia.com) on Aug. 19, 2014, bearing copyirhgt date of 2013, 3 pages.

\* cited by examiner

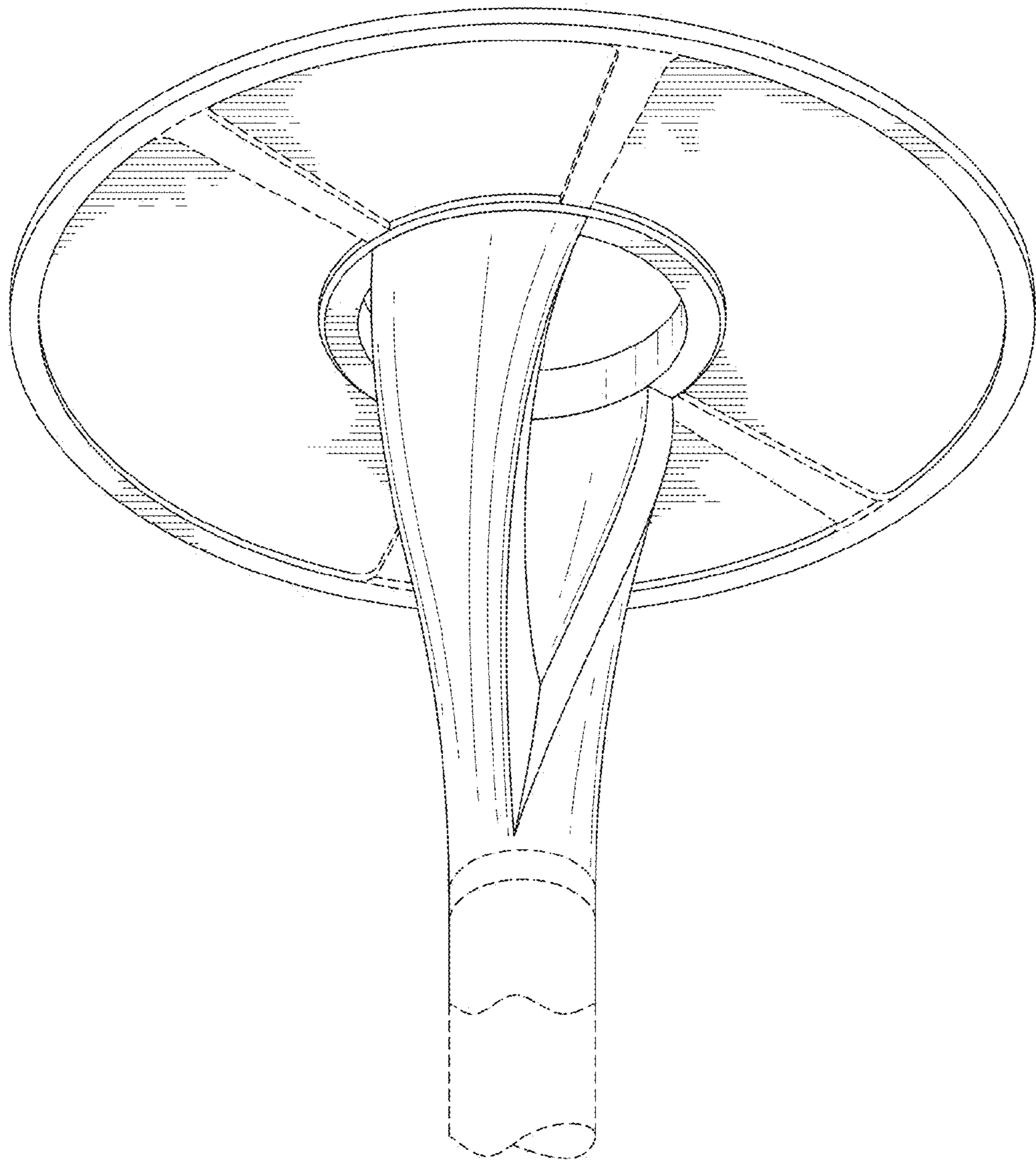


FIG. 1

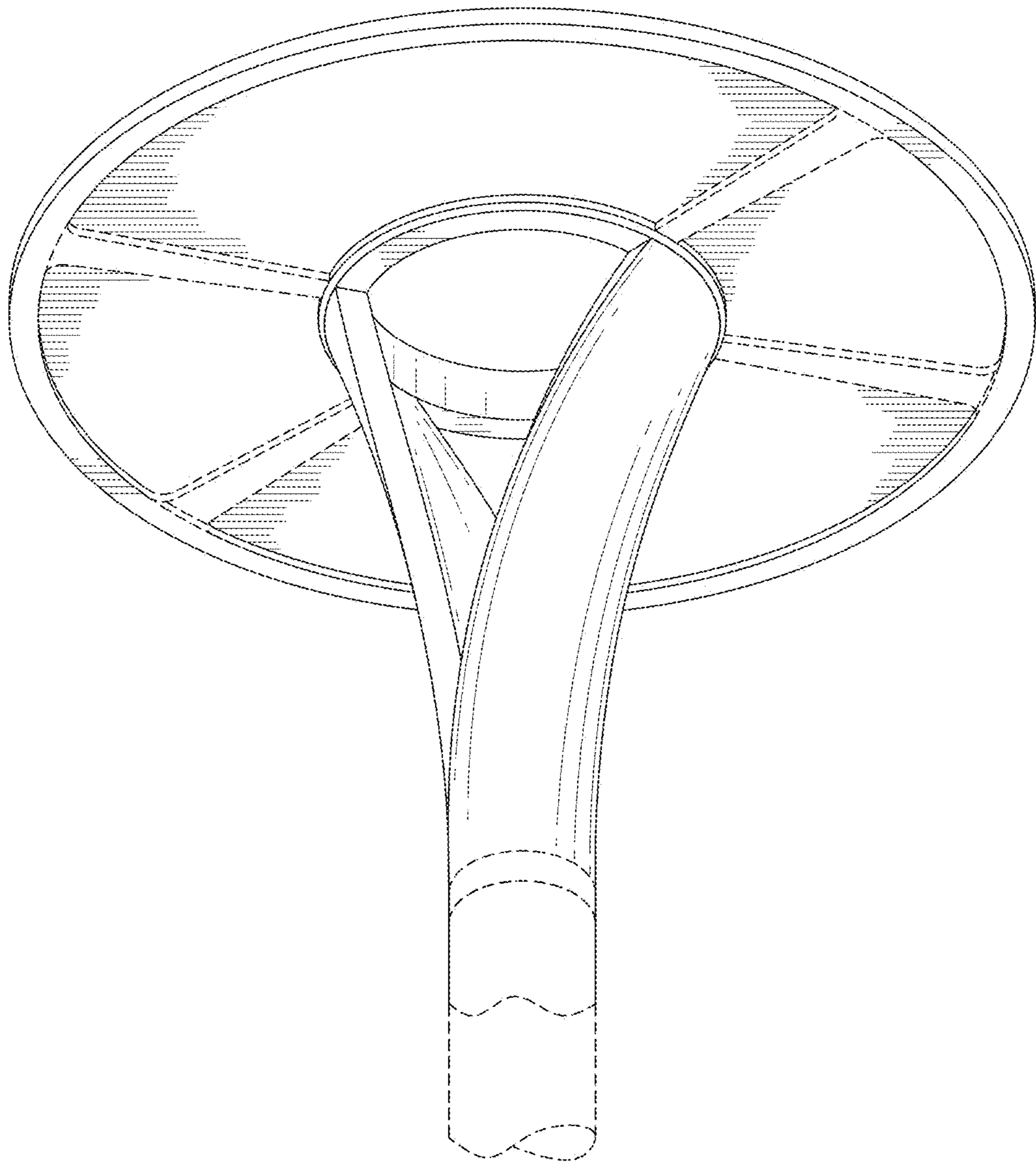


FIG.2

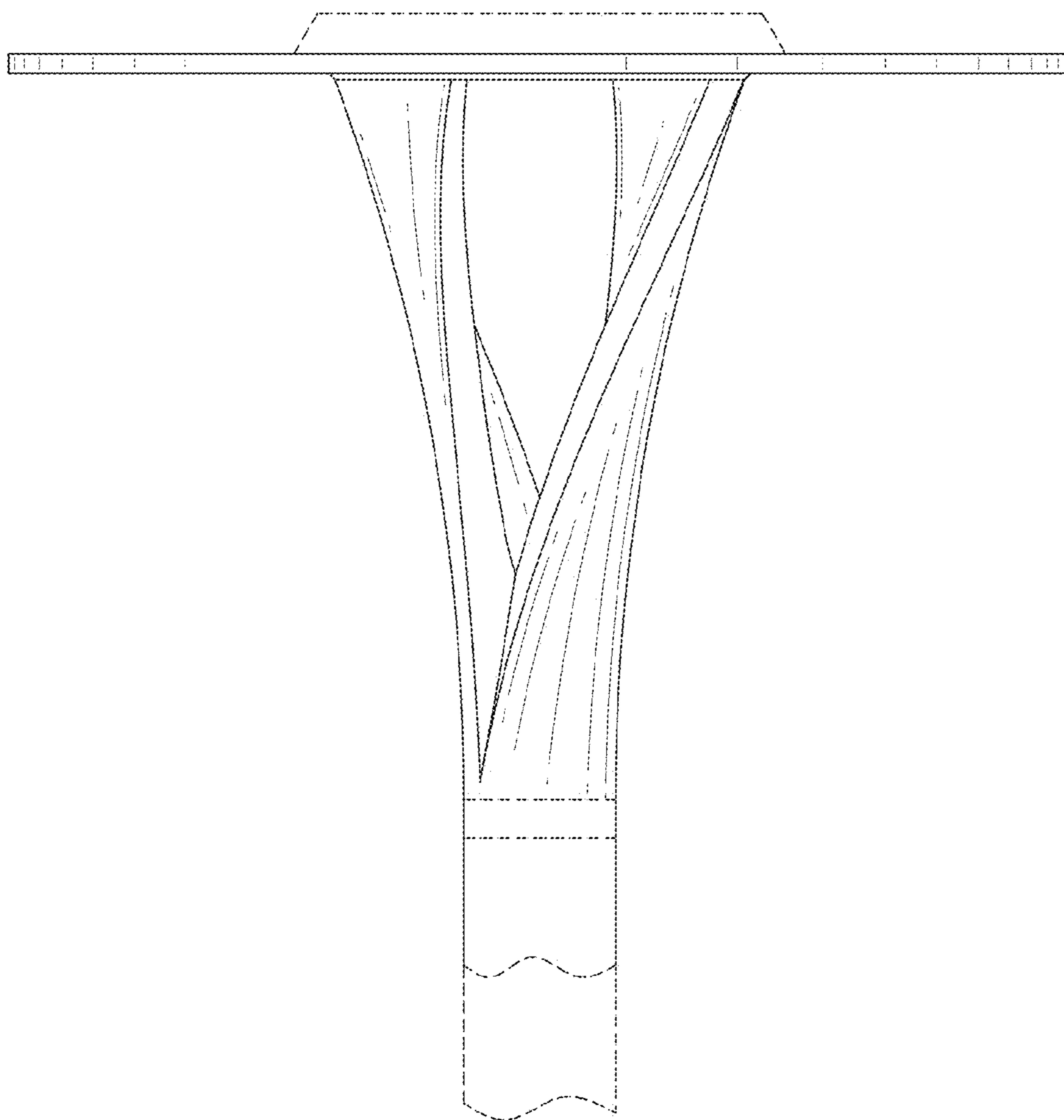


FIG. 3

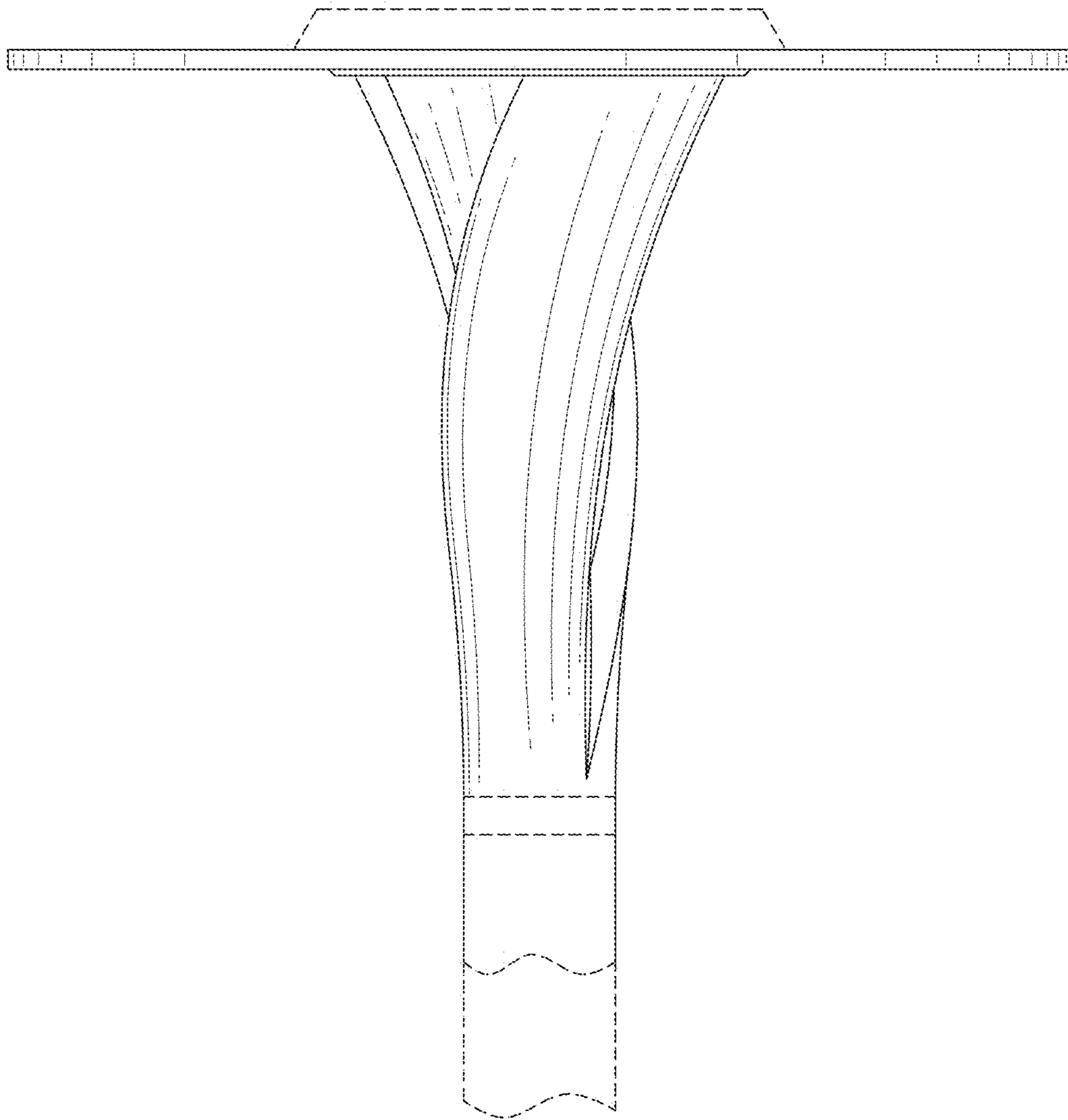


FIG.4

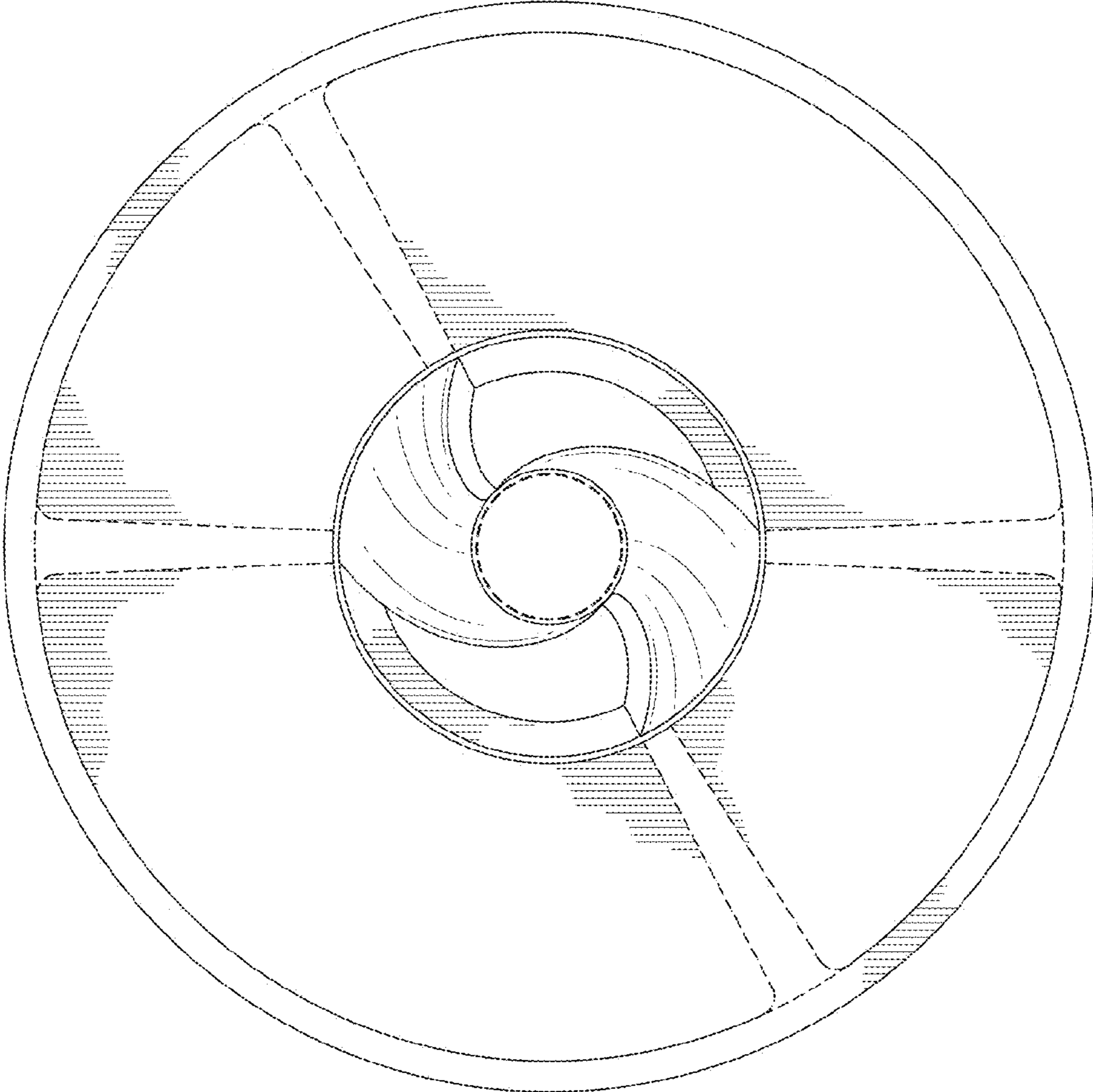


FIG. 5

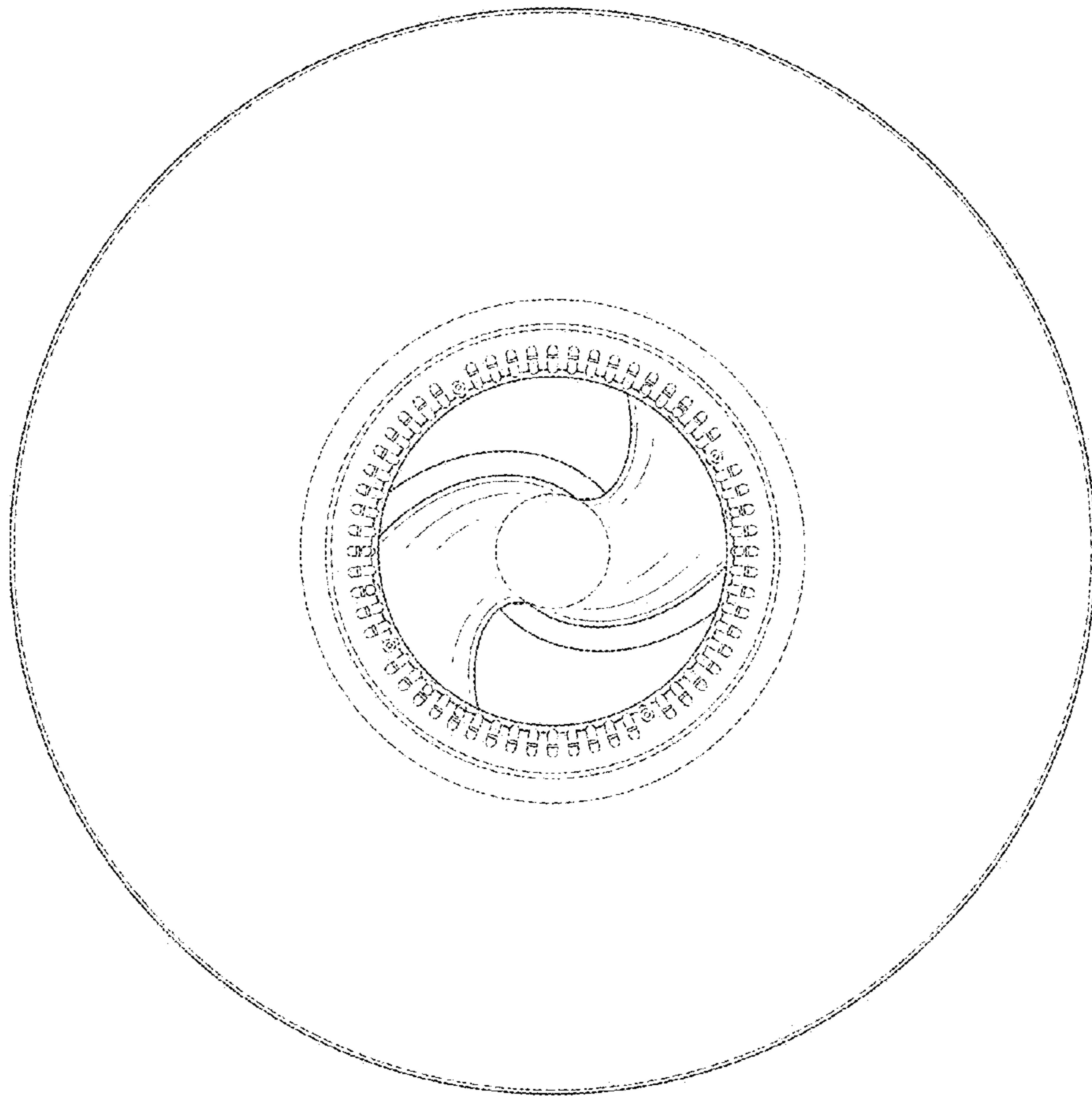


FIG. 6