

US00D725304S

(12) **United States Design Patent**
Nelson et al.

(10) **Patent No.:** **US D725,304 S**
(45) **Date of Patent:** **** Mar. 24, 2015**

- (54) **ANNULUS SHAPED LUMINAIRE**
- (71) Applicant: **ABL IP Holding LLC**, Conyers, GA (US)
- (72) Inventors: **Peter K. Nelson**, Denver, CO (US); **Kevin Franklin Leadford**, Evergreen, CO (US); **Christopher J. Sorensen**, Denver, CO (US); **Christopher D. Slaughter**, Denver, CO (US); **Carl T. Gould**, Golden, CO (US)
- (73) Assignee: **ABL IP Holding LLC**, Conyers, GA (US)
- (**) Term: **14 Years**
- (21) Appl. No.: **29/488,562**
- (22) Filed: **Apr. 21, 2014**
- (51) **LOC (10) Cl.** **26-05**
- (52) **U.S. Cl.**
USPC **D26/67; D26/70**
- (58) **Field of Classification Search**
USPC D26/67-70, 85; 362/145, 152, 153, 431
See application file for complete search history.

- D578,694 S 10/2008 Zeng et al.
- D583,494 S * 12/2008 Friedman et al. D26/68
- D591,884 S * 5/2009 Tortel D26/67
- D599,496 S * 9/2009 Lodhie D26/67
- D599,935 S * 9/2009 van Klinken D26/67
- D601,291 S * 9/2009 Nankil D26/67
- D614,789 S * 4/2010 van Klinken D26/67

(Continued)

OTHER PUBLICATIONS

Hess America, Agena 720 LED Specification, web page retrieved from the internet http://www.hessamerica.com/Products/Lighting/Pole_Mounted_Luminaire/AGENA/, Aug. 19, 2014, 4 pages.

(Continued)

Primary Examiner — Clare E Heflin

(74) *Attorney, Agent, or Firm* — Kilpatrick Townsend & Stockton LLP

(57) **CLAIM**

The ornamental design for an annulus shaped luminaire, as shown and described.

DESCRIPTION

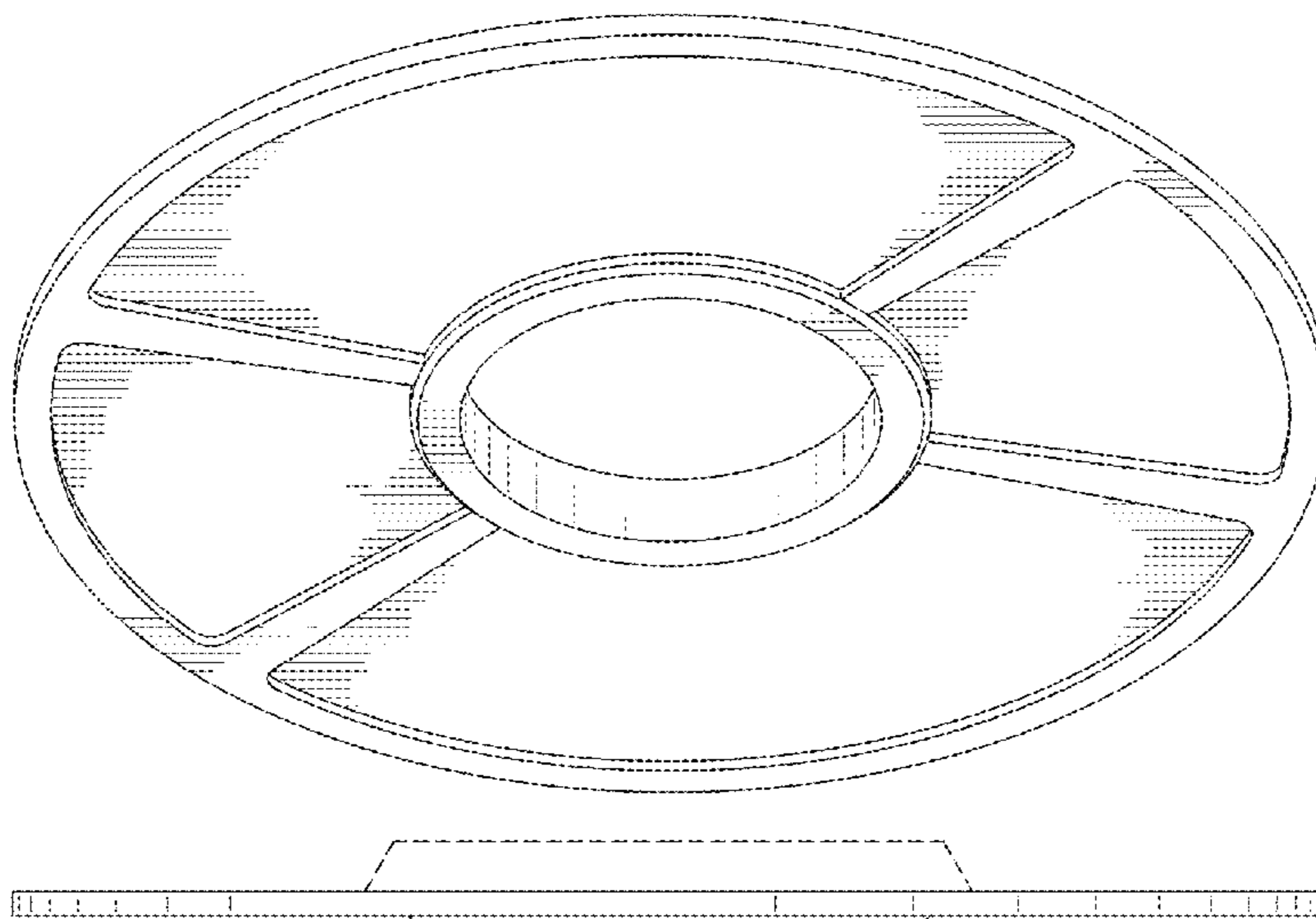
FIG. 1 is a perspective view, as seen from below, of the annulus shaped luminaire;
 FIG. 2 is a perspective view, as seen from above, of the annulus shaped luminaire;
 FIG. 3 is a front side elevation of the annulus shaped luminaire, a back side and left and right side elevations of the annulus shaped luminaire being mirror images thereof;
 FIG. 4 is a bottom plan view of the annulus shaped luminaire;
 and,
 FIG. 5 is a top plan view of the annulus shaped luminaire.
 Portions or features of the annulus shaped luminaire not shown in the drawings form no part of the claimed design. Broken lines indicate environmental structure that forms no part of the claimed design.

1 Claim, 5 Drawing Sheets

(56) **References Cited**

U.S. PATENT DOCUMENTS

- D191,128 S * 8/1961 Curtin et al. D26/67
- D192,125 S * 1/1962 Lasker D26/67
- D199,077 S 9/1964 Turner
- D199,078 S 9/1964 Turner
- D199,999 S * 1/1965 Simon D26/67
- D200,001 S * 1/1965 Simon D26/67
- D200,214 S * 2/1965 Simon D26/67
- 3,218,446 A 11/1965 Langer
- D341,221 S * 11/1993 Elazari D26/68
- D407,842 S * 4/1999 Landefeld D26/68
- D571,494 S * 6/2008 Friedman et al. D26/67
- D571,496 S * 6/2008 Lenz D26/68
- D574,103 S * 7/2008 Minami et al. D26/67



(56)

References Cited

U.S. PATENT DOCUMENTS

D615,682 S *	5/2010	van Klinken	D26/67
D616,130 S *	5/2010	Tortel	D26/67
D623,337 S *	9/2010	Zheng	D26/67
D624,228 S *	9/2010	Nankil	D26/67
D627,910 S *	11/2010	Fazzari	D26/68
D652,976 S *	1/2012	Soto et al.	D26/68
D672,074 S	12/2012	Compton	
D679,042 S *	3/2013	Yu	D26/69
2010/0014290 A1	1/2010	Wilcox	

OTHER PUBLICATIONS

Hess America, Avalon 650 Specification, web page retrieved from the internet http://www.hessamerica.com/Products/Lighting/Pole_Mounted_Luminaire/AVALON/, Aug. 19, 2014, 4 pages.
Louis Poulsen Lighting, Albertslund Maxi Post Product Specification, web page retrieved from www.louispoulsen.com on Aug. 19, 2014, 3 pages.

Selux, Astro 2—flat glass SX 1182 11-9, web page retrieved from www.selux.com on Aug. 19, 2014 bearing copyright date of Apr. 2014, 2 pages.

Selux, Saturn 5 SX 470 72-9, web page retrieved from www.selux.com on Aug. 19, 2014 bearing copyright date of Sep. 2013, 2 pages.

Selux, Exterior catalogue, (selected pages) retrieved from www.selux.com on Aug. 27, 2014 bearing copyright date of 2014, pt. 1, 28 pages.

Selux, Exterior catalogue, (selected pages) retrieved from www.selux.com on Aug. 27, 2014 bearing copyright date of 2014, pt. 2, 27 pages.

Selux, Exterior catalogue, (selected pages) retrieved from www.selux.com on Aug. 27, 2014 bearing copyright date of 2014, pt. 3, 32 pages.

Selux, Exterior catalogue, (selected pages) retrieved from www.selux.com on Aug. 27, 2014 bearing copyright date of 2014, pt. 4, 23 pages.

Lithonia Lighting, Ratio Post Top 1.52 TLPRO150 LED Area Luminaire, web page retrieved from www.lithonia.com on Aug. 19, 2014 bearing copyright date of 2013, 3 pages.

* cited by examiner

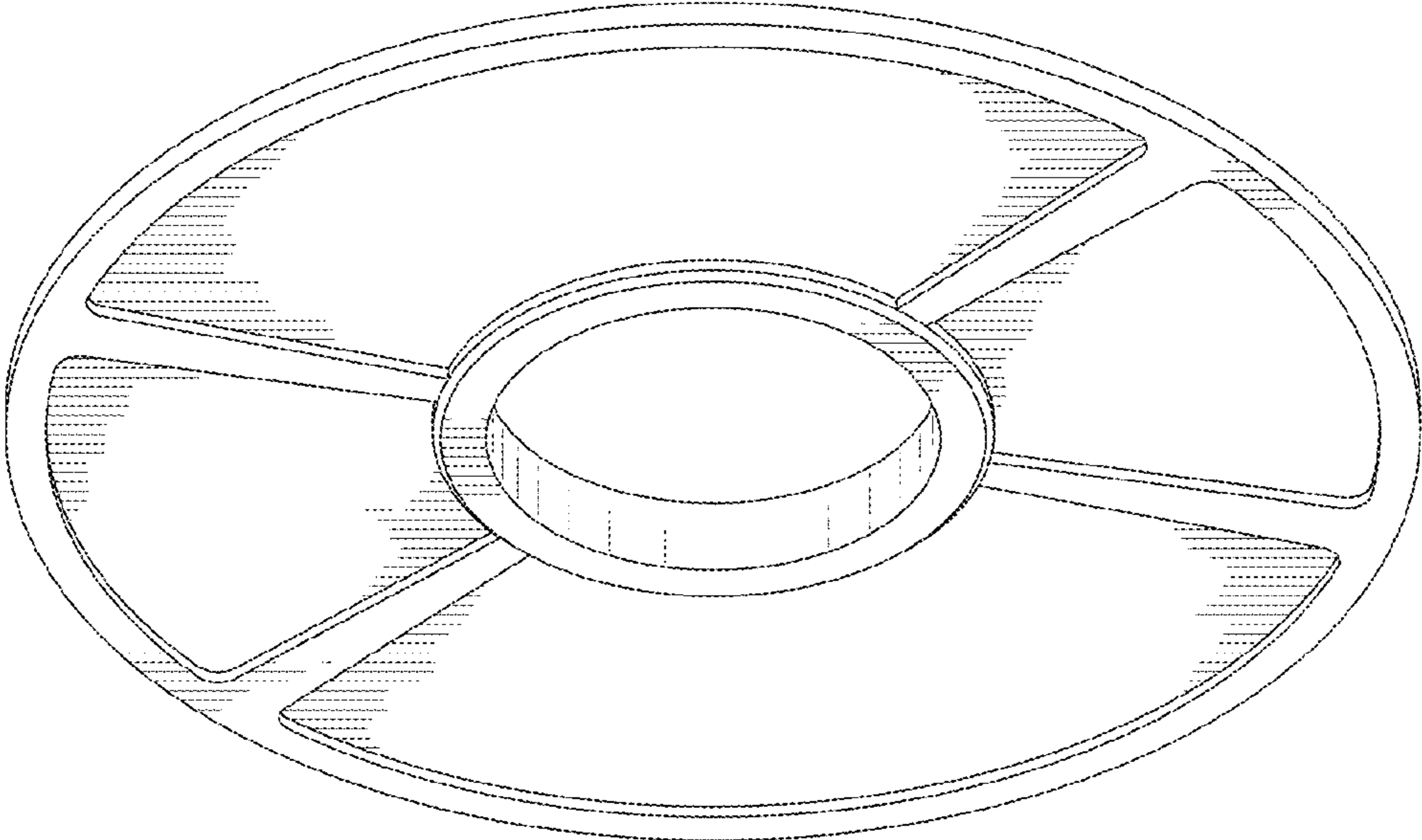


FIG. 1

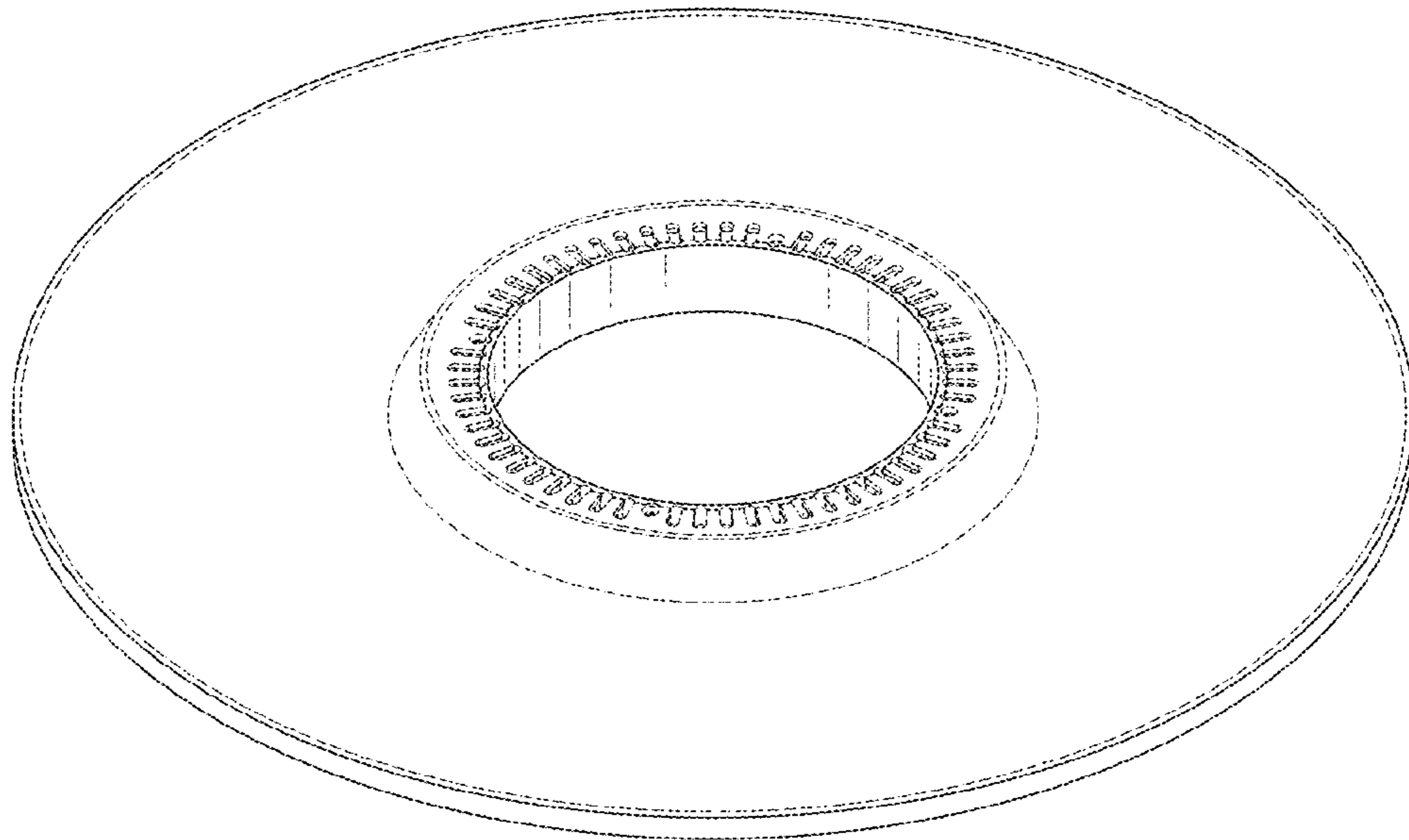


FIG. 2

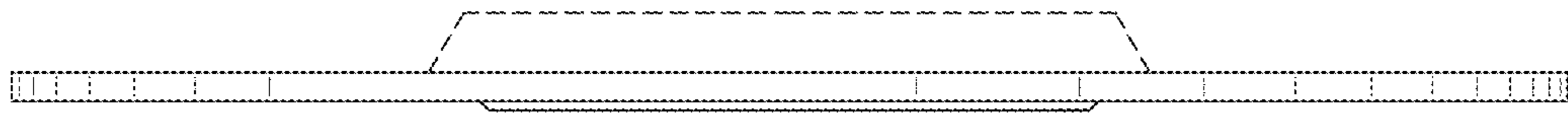


FIG. 3

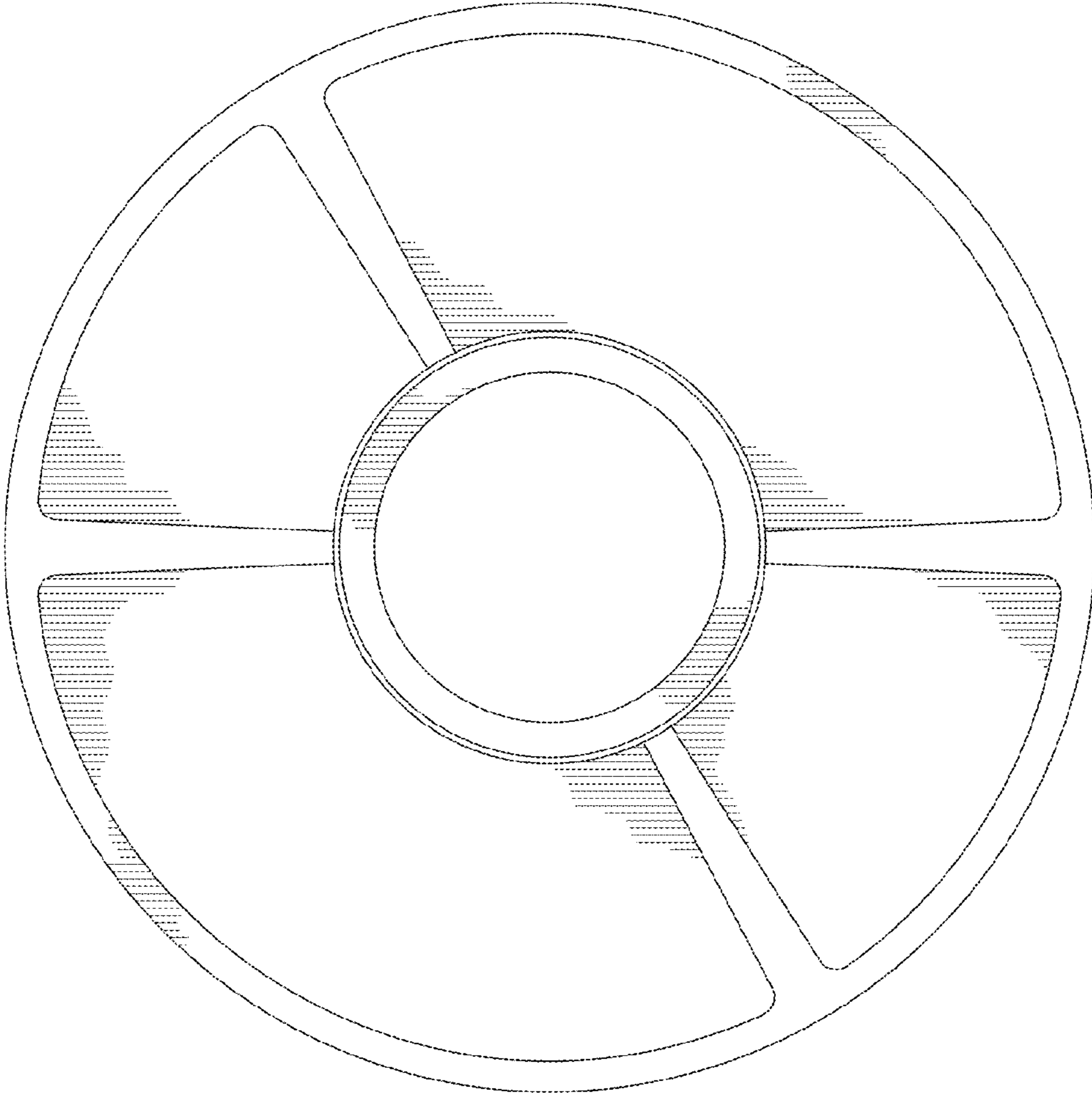


FIG. 4

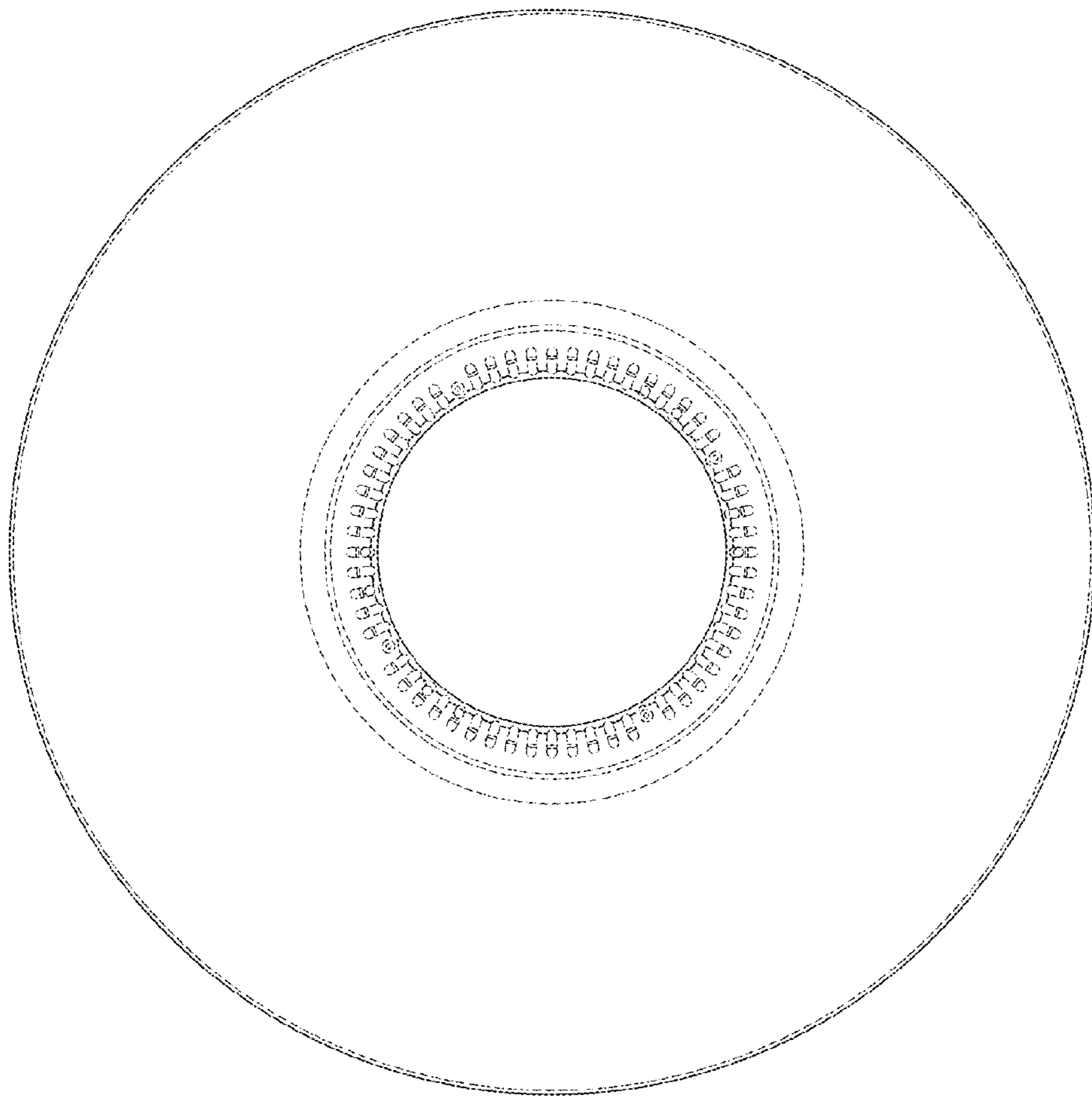


FIG. 5