

US00D725303S

(12) **United States Design Patent**
Kunzendorf

(10) **Patent No.:** **US D725,303 S**
(45) **Date of Patent:** **** Mar. 24, 2015**

- (54) **TORCH**
- (71) Applicant: **Zweibrüder Optoelectronics GmbH & Co. KG**, Solingen (DE)
- (72) Inventor: **Andre Kunzendorf**, Wuppertal (DE)
- (73) Assignee: **Zweibrüder Optoelectronics GmbH & Co. KG**, Solingen (DE)

D578,687 S *	10/2008	Hong	D26/37
D579,596 S *	10/2008	Shiu	D26/49
D586,025 S *	2/2009	Bonis	D26/49
D624,223 S *	9/2010	Kim	D26/49
D624,678 S *	9/2010	Kim	D26/49
D625,448 S *	10/2010	Brown et al.	D26/49
D629,940 S *	12/2010	Osterhout	D26/49
D641,901 S *	7/2011	Opolka	D26/49
D649,275 S *	11/2011	Crawford et al.	D26/49

* cited by examiner

- (**) Term: **14 Years**
- (21) Appl. No.: **29/434,433**
- (22) Filed: **Oct. 12, 2012**

Primary Examiner — Ian Simmons
Assistant Examiner — Carissa C Fitts
 (74) *Attorney, Agent, or Firm* — McGlew and Tuttle, P.C.

- (30) **Foreign Application Priority Data**
 Apr. 13, 2012 (EP) 002025270-0002
- (51) **LOC (10) Cl.** **26-02**
- (52) **U.S. Cl.**
 USPC **D26/49**
- (58) **Field of Classification Search**
 USPC D26/37, 38, 46, 49; 362/157, 158, 183,
 362/184, 194–196, 202–208
 See application file for complete search history.

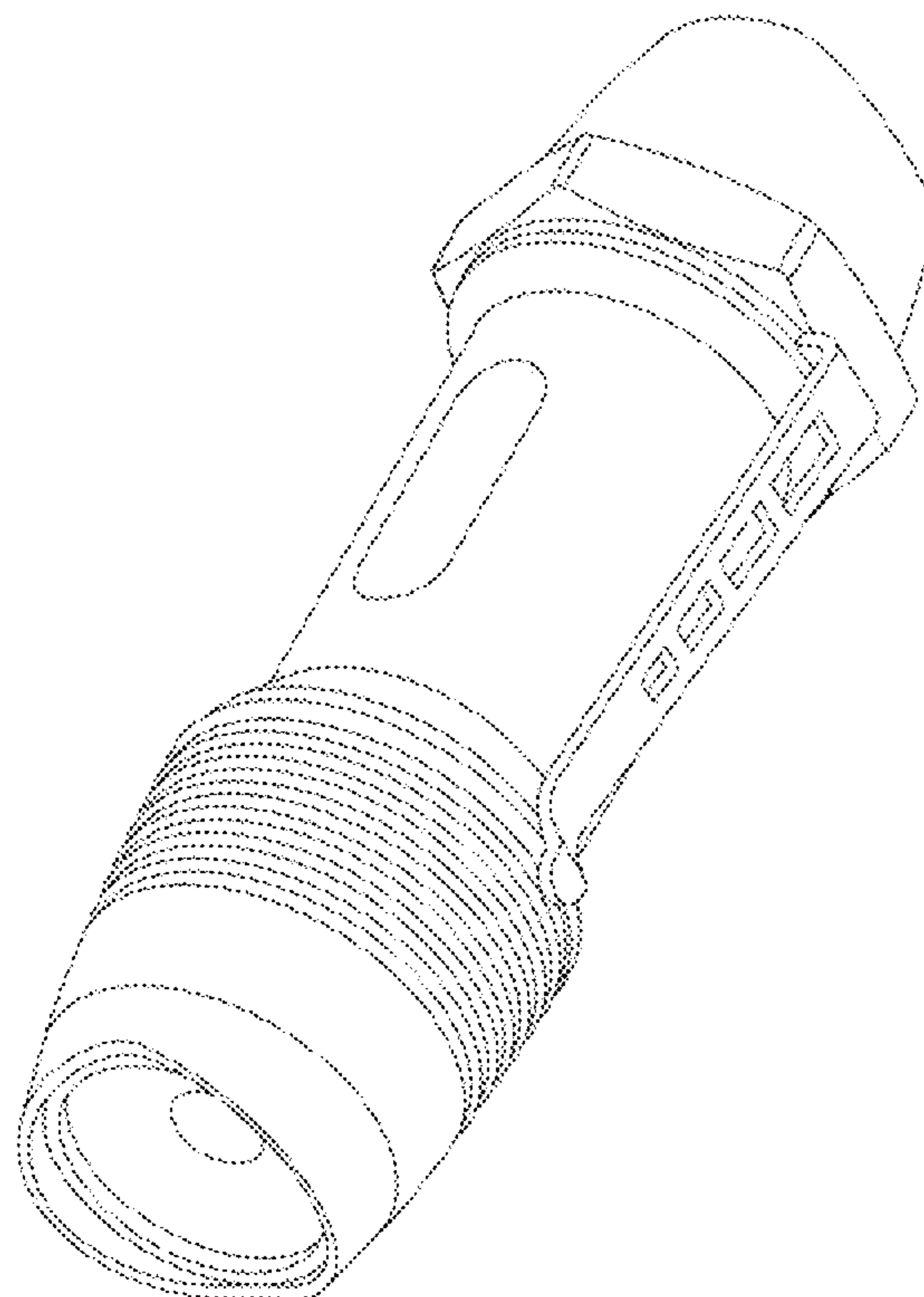
(57) **CLAIM**
 The ornamental design for a torch, as shown and described.

- (56) **References Cited**
 U.S. PATENT DOCUMENTS
 D521,166 S * 5/2006 Yamamoto et al. D26/37
 D575,889 S * 8/2008 Shiu D26/49

DESCRIPTION

FIG. 1 is a right side view of my new torch design;
 FIG. 2 is a bottom view thereof;
 FIG. 3 is a left side view thereof;
 FIG. 4 is a top view thereof;
 FIG. 5 is a front view thereof;
 FIG. 6 is a rear view thereof; and,
 FIG. 7 is a perspective view thereof.
 The broken line showing is for environmental purposes only
 and forms no part of the claimed design.

1 Claim, 7 Drawing Sheets



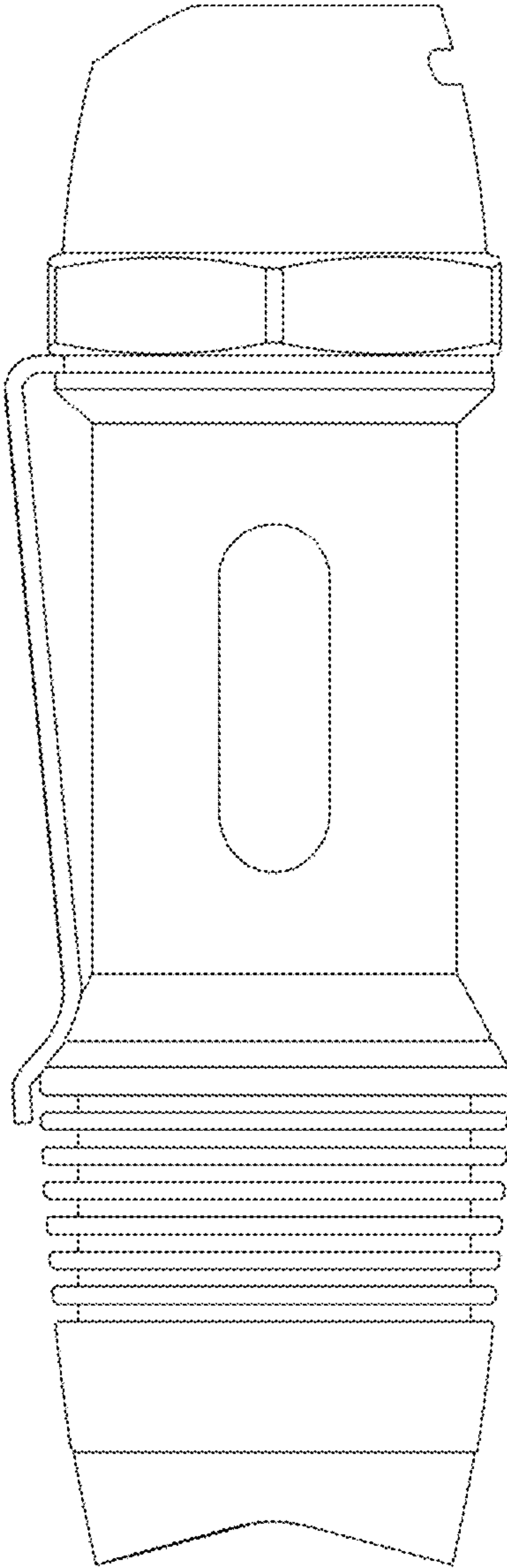


Fig. 1

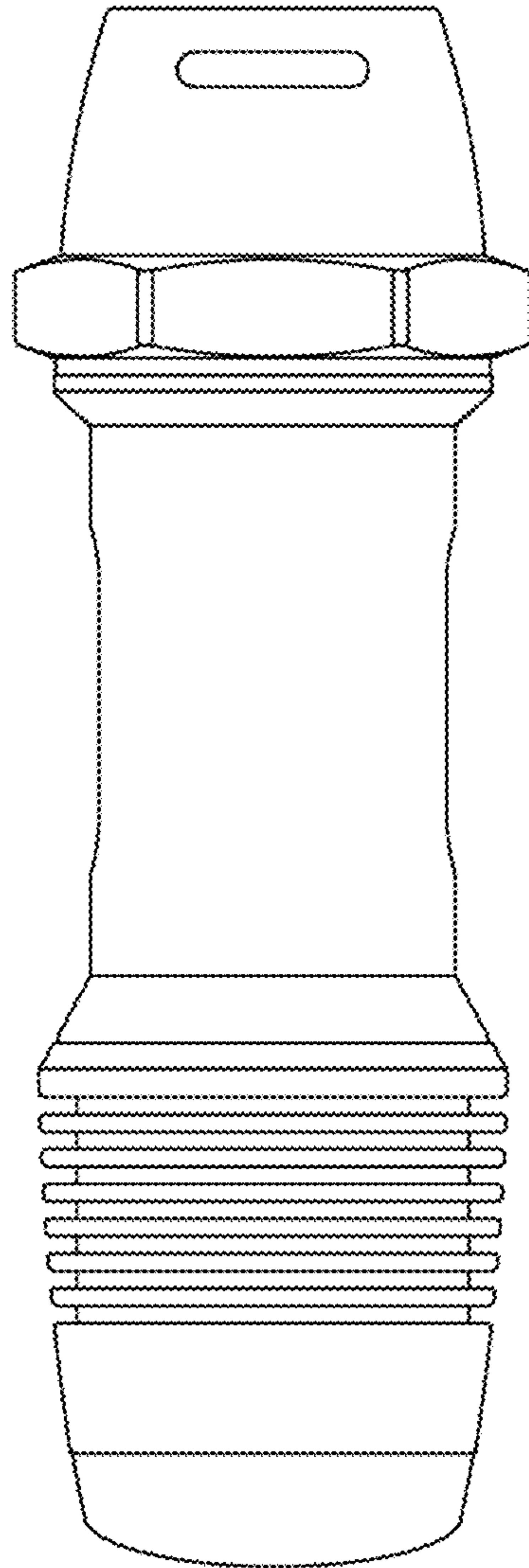


Fig. 2

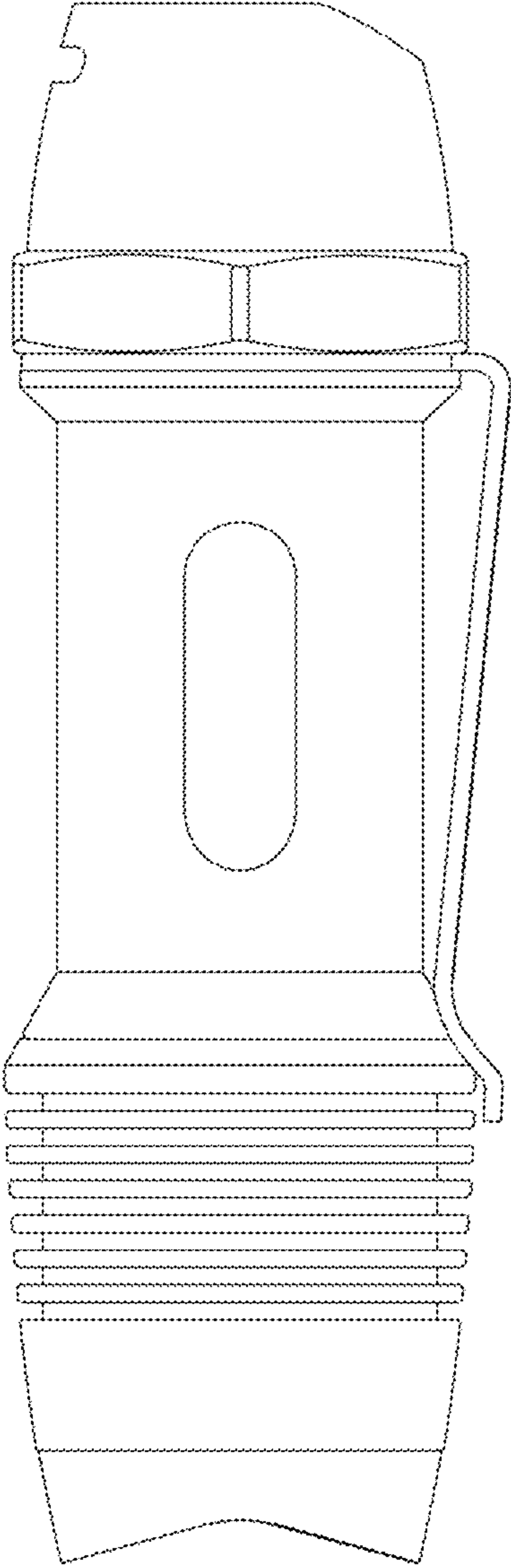


Fig. 3

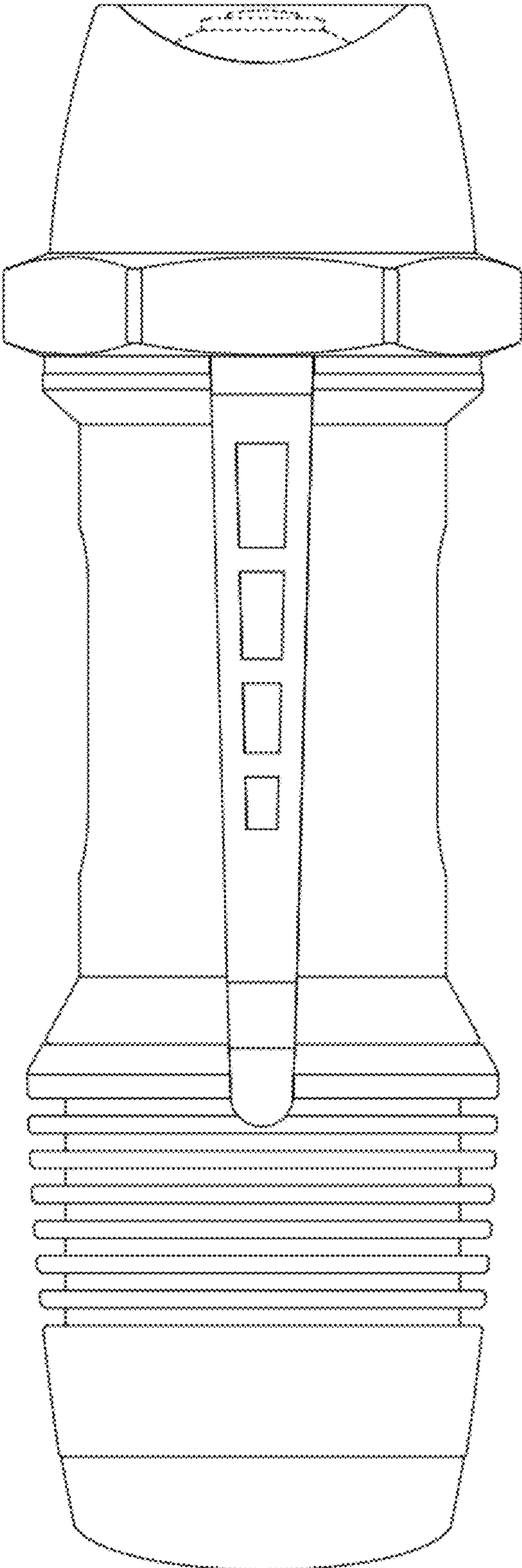


Fig. 4

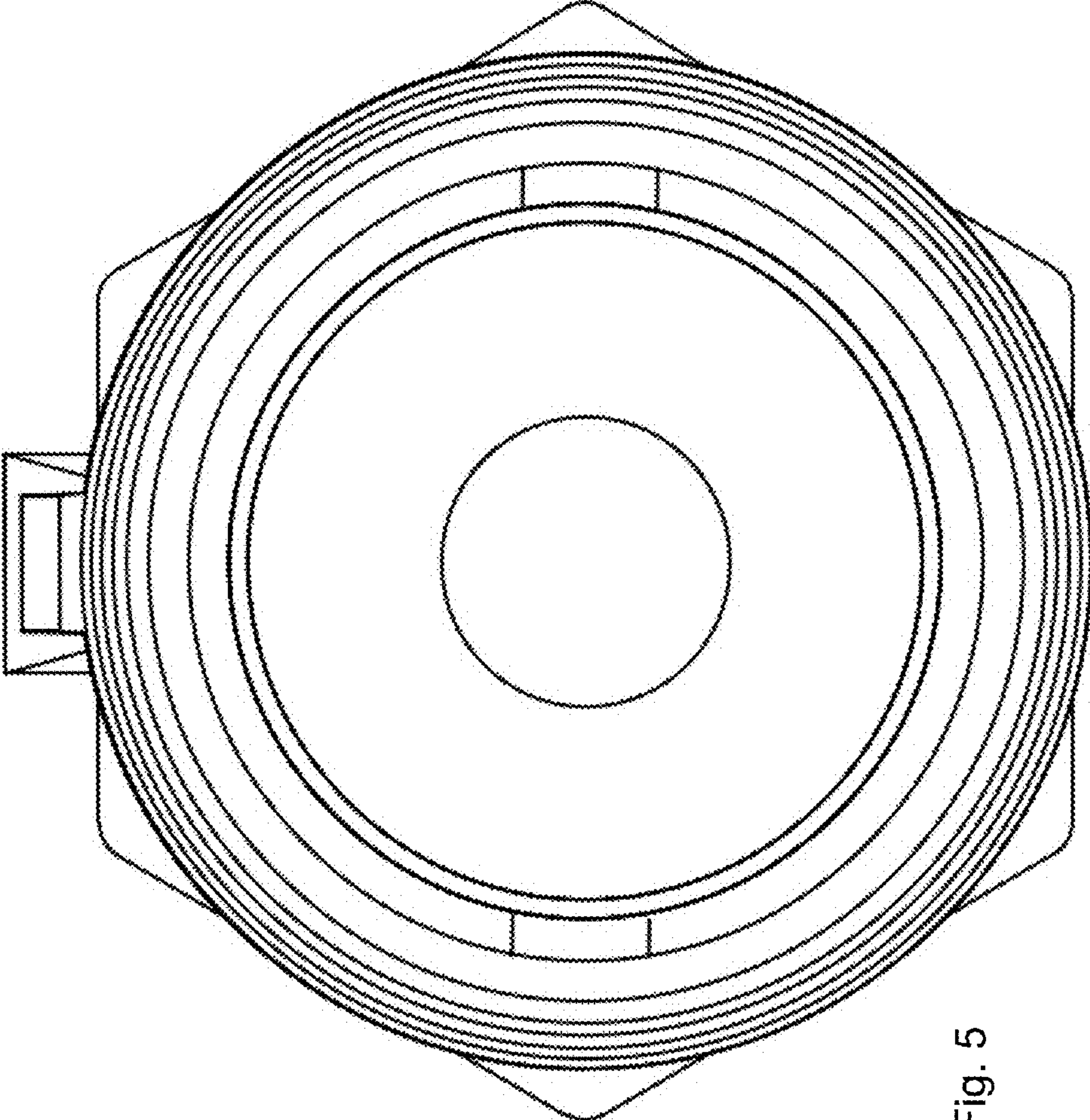


Fig. 5

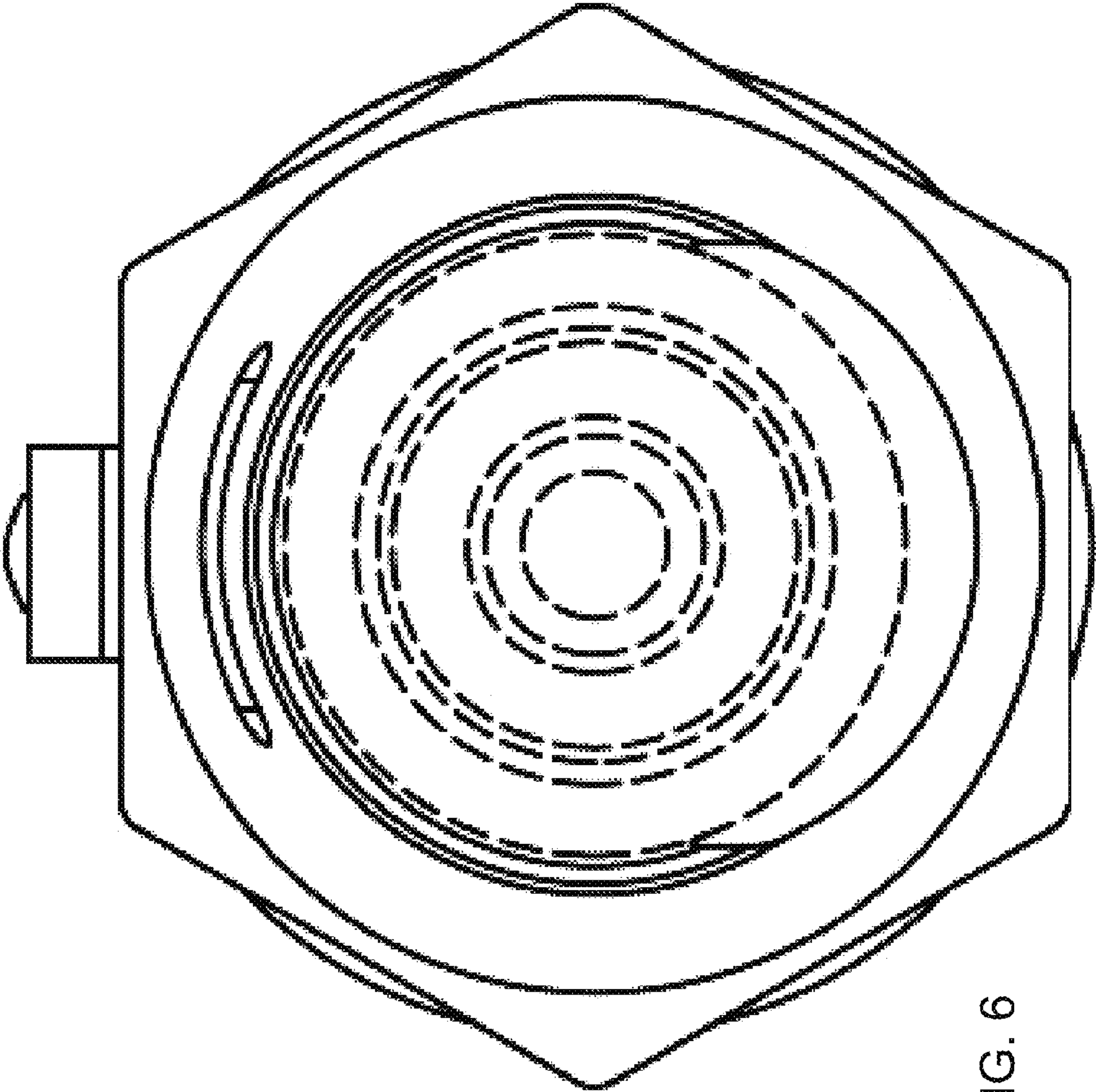


FIG. 6

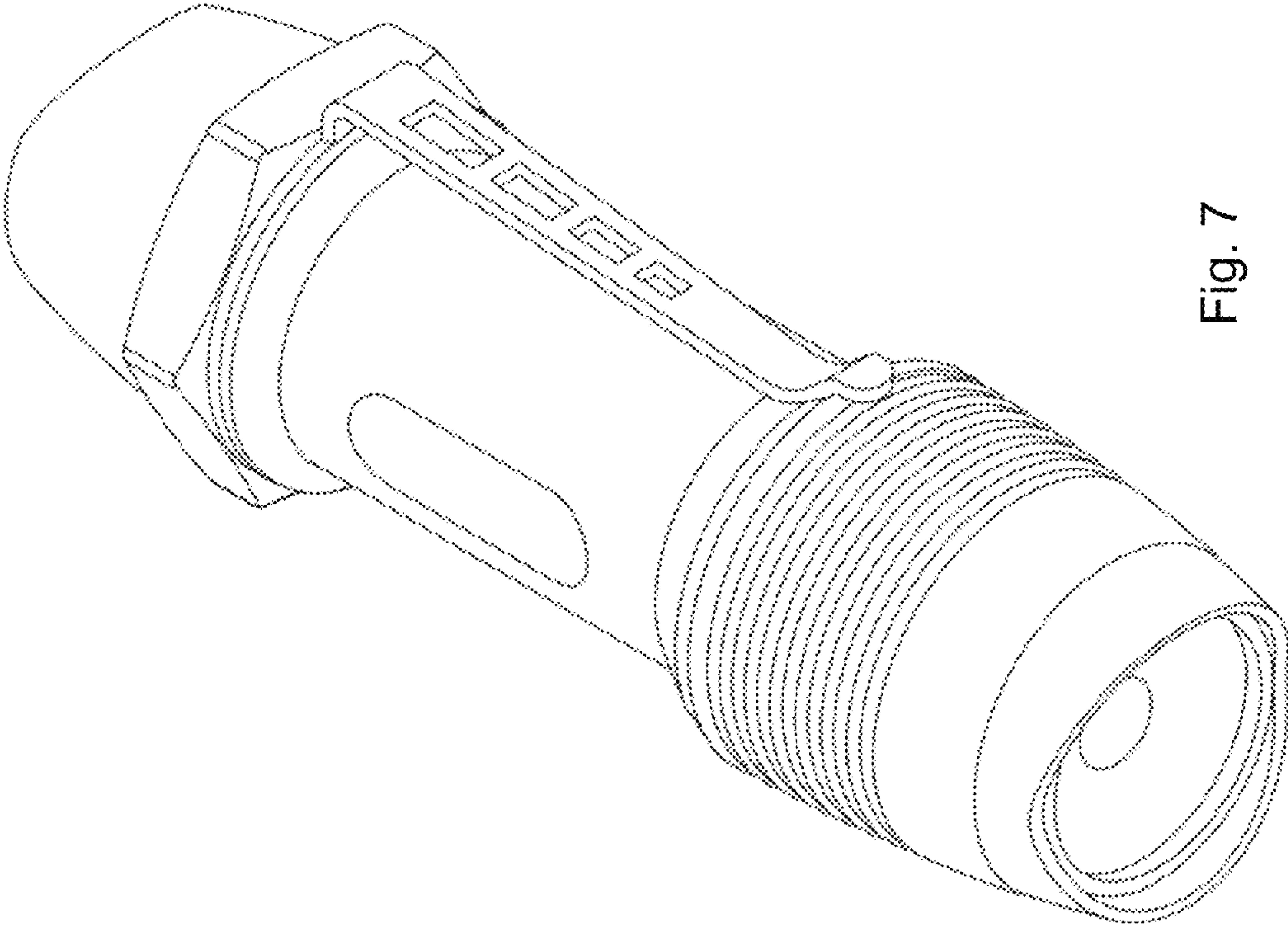


Fig. 7