



US00D725301S

(12) **United States Design Patent**  
**Fradkina et al.**

(10) **Patent No.:** **US D725,301 S**  
(45) **Date of Patent:** **\*\* Mar. 24, 2015**

- (54) **LANTERN**
- (71) Applicant: **Sternberg Lighting**, Roselle, IL (US)
- (72) Inventors: **Sofya Fradkina**, Buffalo Grove, IL (US); **Steven R. Walczak**, Kenosha, WI (US)
- (73) Assignee: **Sternberg Lighting**, Roselle, IL (US)
- (\*\*) Term: **14 Years**
- (21) Appl. No.: **29/450,804**
- (22) Filed: **Mar. 22, 2013**

D557,850 S *	12/2007	Chen .....	D26/67
D606,695 S *	12/2009	Chen .....	D26/67
D615,686 S *	5/2010	Chen .....	D26/68
D616,131 S *	5/2010	Chen .....	D26/67
D617,480 S *	6/2010	DeBrunner .....	D26/40
D623,337 S *	9/2010	Zheng .....	D26/67
D636,517 S *	4/2011	Robinson .....	D26/67
D640,407 S *	6/2011	Chen .....	D26/67
D642,316 S *	7/2011	Zheng et al. ....	D26/72
D650,495 S *	12/2011	Foo .....	D26/2
D656,664 S *	3/2012	Son .....	D26/118
D664,291 S *	7/2012	Blincoe et al. ....	D26/152
D669,202 S *	10/2012	Jin et al. ....	D26/2
D669,613 S *	10/2012	Wung et al. ....	D26/2
D689,224 S *	9/2013	Fradkina et al. ....	D26/40

\* cited by examiner

**Related U.S. Application Data**

- (62) Division of application No. 29/368,989, filed on Aug. 31, 2013, now Pat. No. Des. 689,224.
- (51) **LOC (10) Cl.** ..... **26-02**
- (52) **U.S. Cl.**  
USPC ..... **D26/40; D26/67**
- (58) **Field of Classification Search**  
USPC ..... D26/38, 40, 67, 2, 68-71, 85, 92, 119, D26/37, 93, 104, 110-112; 362/147, 157, 362/183, 249.03, 186, 431, 432, 653, 231, 362/171-174  
See application file for complete search history.

*Primary Examiner* — Ian Simmons  
*Assistant Examiner* — Carissa C Fitts  
(74) *Attorney, Agent, or Firm* — Seyfarth Shaw LLP

(56) **References Cited**

**U.S. PATENT DOCUMENTS**

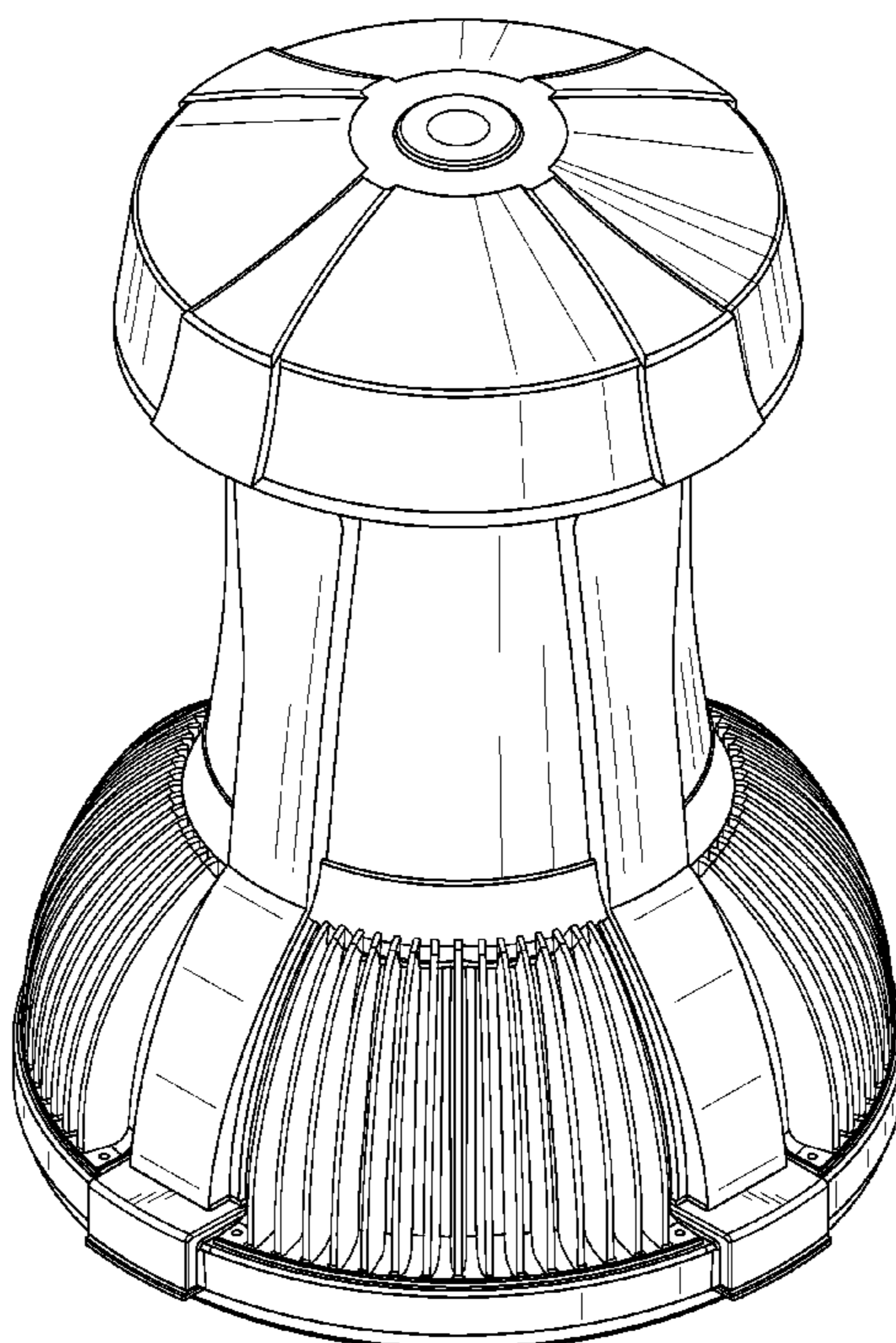
- D532,132 S \* 11/2006 Holsinger et al. .... D26/40
- D553,774 S \* 10/2007 Leung et al. .... D26/40

(57) **CLAIM**  
The ornamental design for a lantern, as shown and described.

**DESCRIPTION**

FIG. 1 is a perspective view of a first embodiment of a lantern; FIG. 2 is a left side elevational view thereof; FIG. 3 is a right side elevational view thereof; FIG. 4 is a top plan view thereof; and, FIG. 5 is a bottom plan view thereof. The broken line showing is for environmental purposes only and forms no part of the claimed design.

**1 Claim, 3 Drawing Sheets**



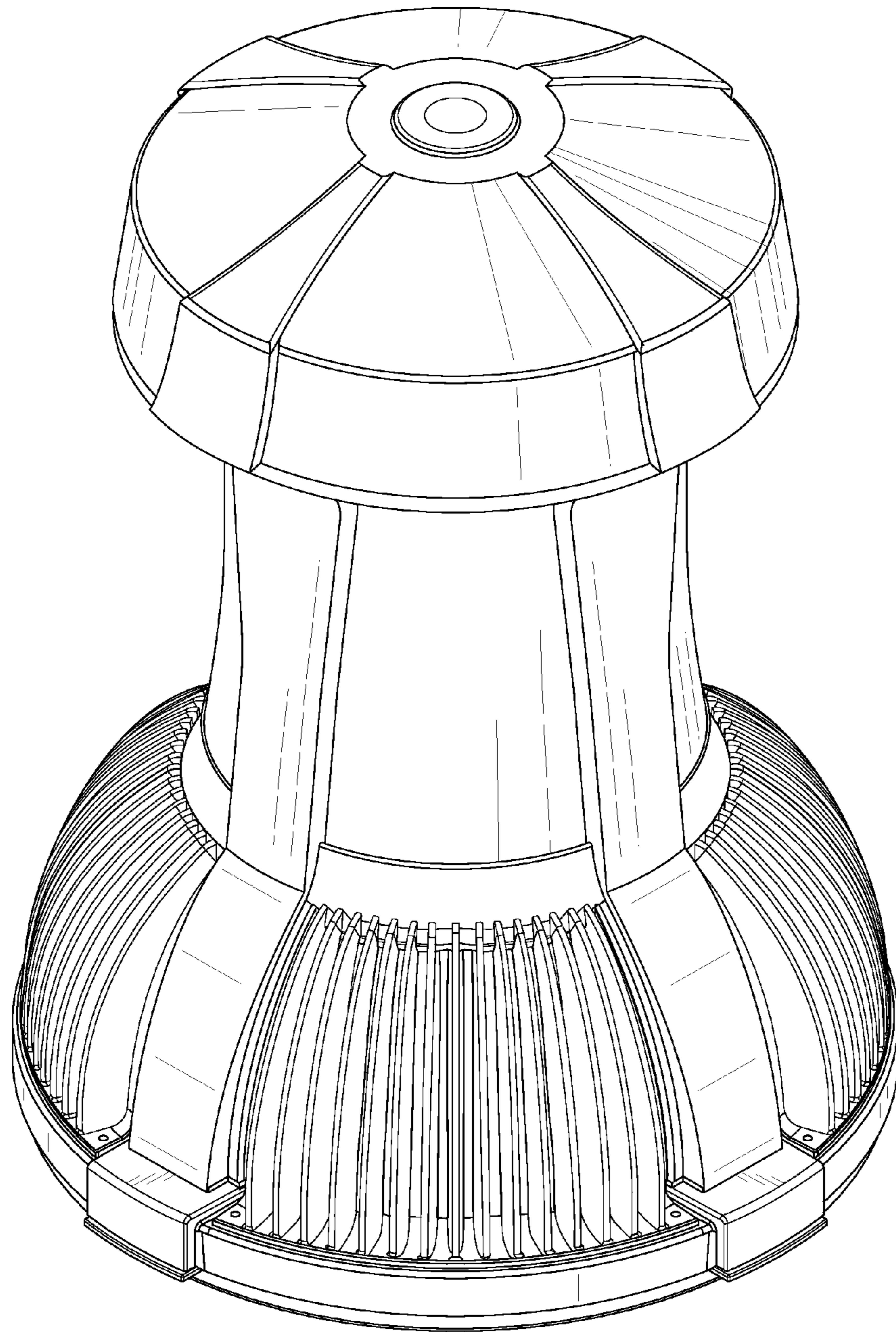


FIG. 1

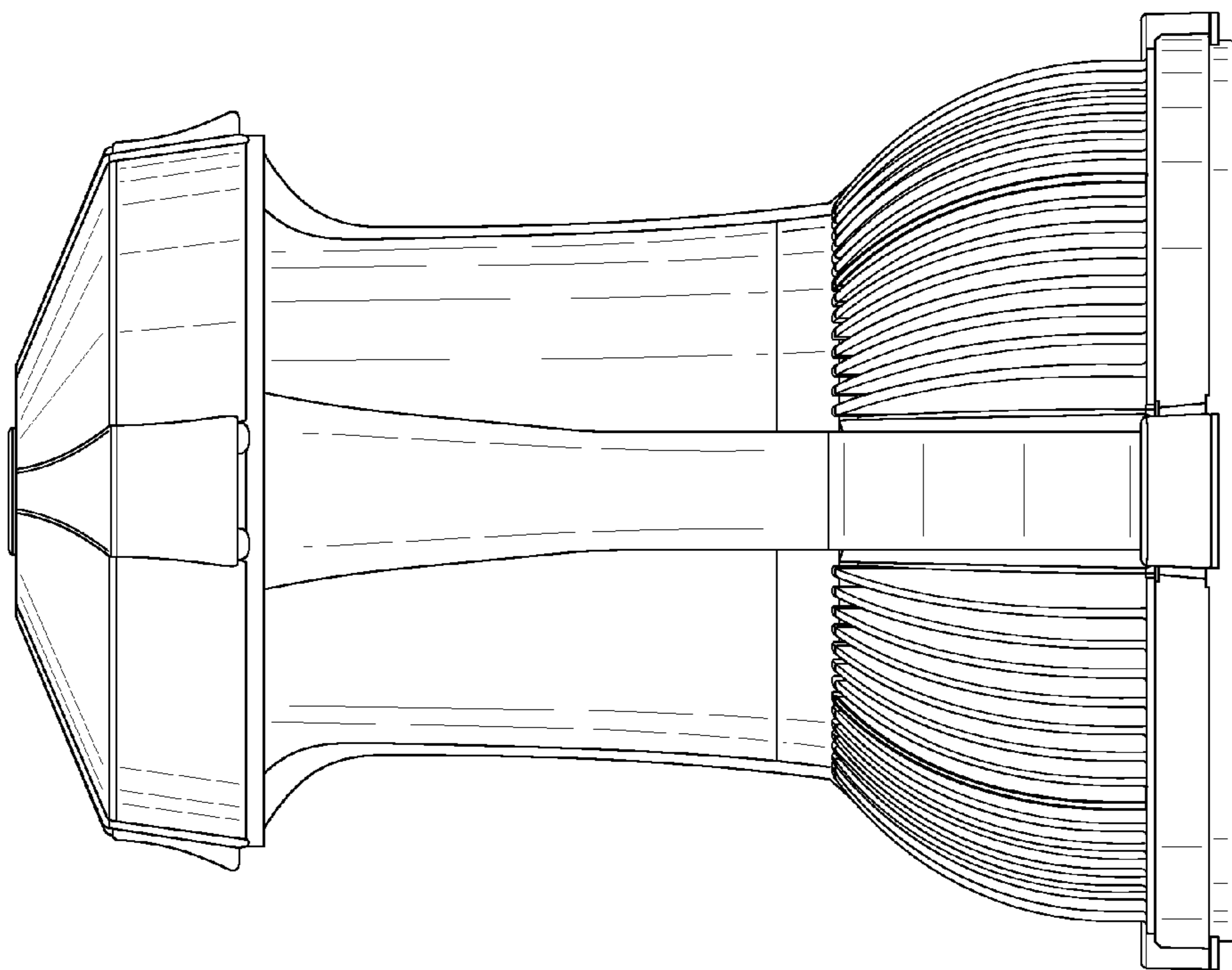


FIG. 2

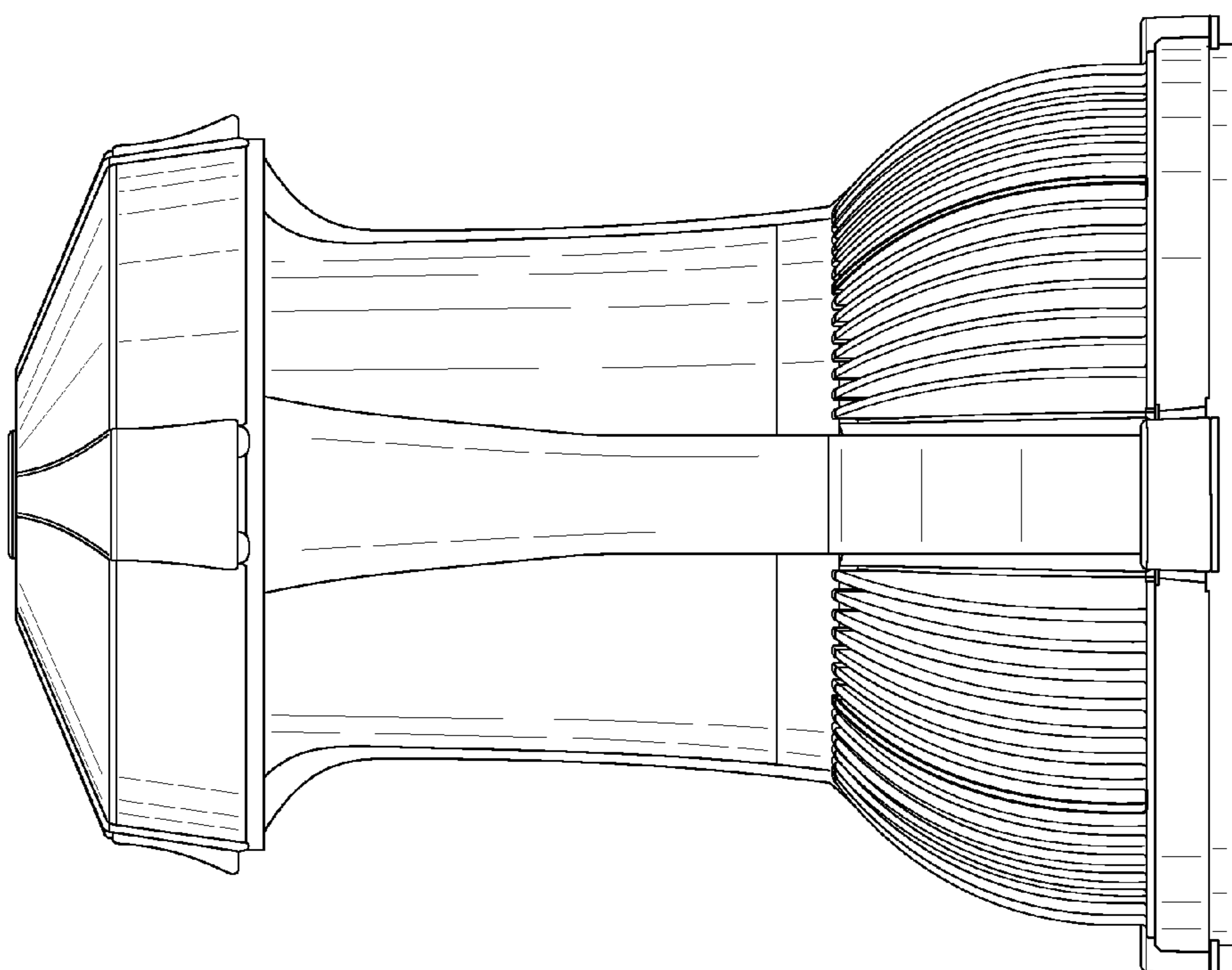


FIG. 3

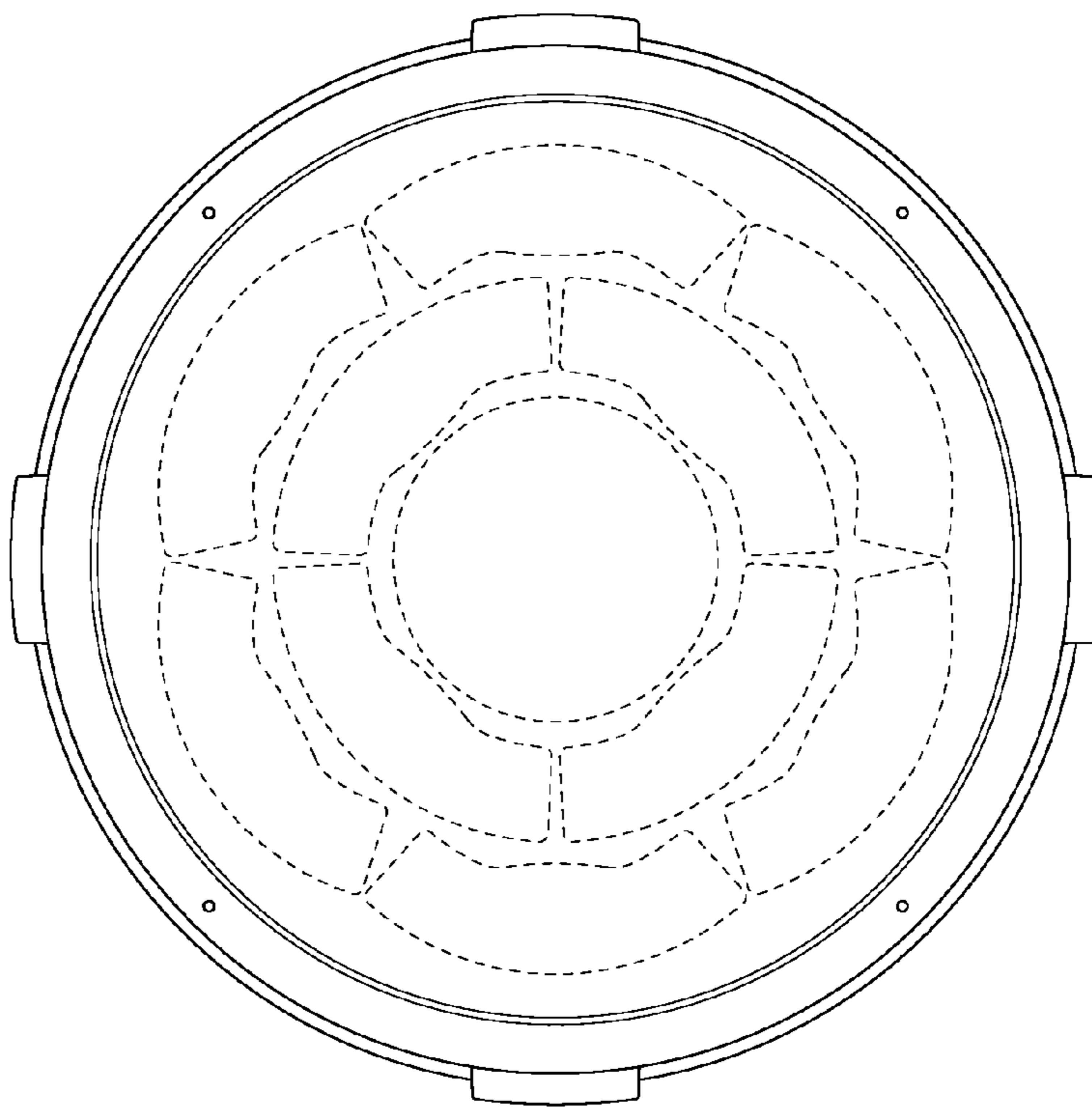


FIG. 5

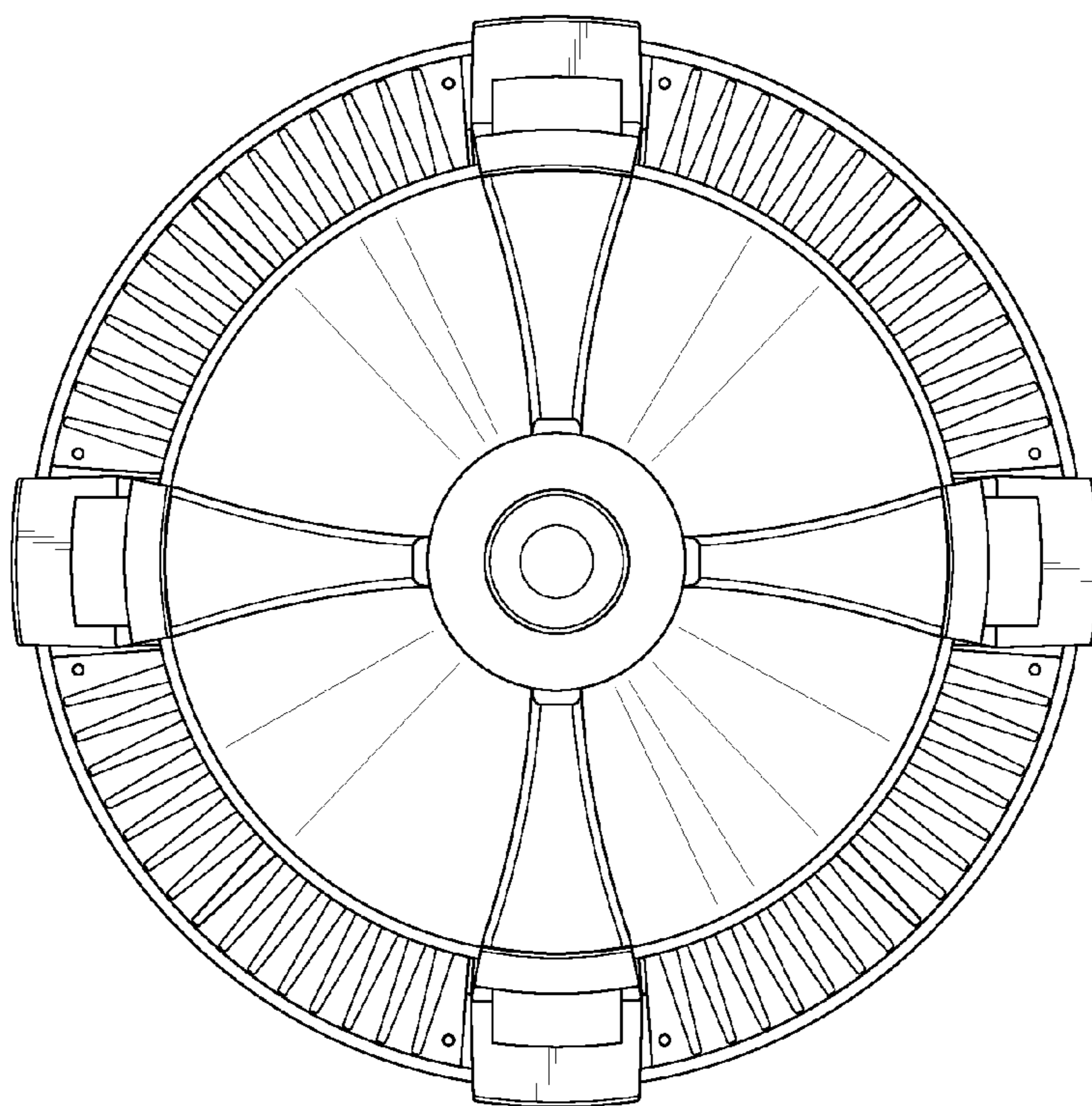


FIG. 4