



US00D725300S

(12) **United States Design Patent**  
**Dalton**

(10) **Patent No.:** **US D725,300 S**  
(45) **Date of Patent:** **\*\* Mar. 24, 2015**

(54) **PORTABLE LIGHT**

(71) Applicant: **Streamlight Inc.**, Eagleville, PA (US)

(72) Inventor: **Matthew B. Dalton**, Elkins Park, PA (US)

(73) Assignee: **Streamlight Inc.**, Eagleville, PA (US)

(\*\*) Term: **14 Years**

(21) Appl. No.: **29/445,313**

(22) Filed: **Feb. 11, 2013**

(51) **LOC (10) Cl.** ..... **26-02**

(52) **U.S. Cl.**  
USPC ..... **D26/40**

(58) **Field of Classification Search**  
USPC ..... D26/37, 38, 40, 41, 44, 46, 48, 49, 50;  
362/157, 158, 171-174, 183, 184,  
362/194-196, 200-208, 253  
See application file for complete search history.

(56) **References Cited**

**U.S. PATENT DOCUMENTS**

D424,227 S *	5/2000	Long	.....	D26/50
D483,892 S *	12/2003	Poon	.....	D26/40
D537,968 S *	3/2007	Shiu	.....	D26/40
D542,953 S *	5/2007	Lee	.....	D26/40
D547,891 S *	7/2007	Shiu	.....	D26/40
D559,418 S *	1/2008	Poon	.....	D26/40
D575,429 S *	8/2008	Shiu	.....	D26/40
D599,923 S *	9/2009	Shiu	.....	D26/40
D608,920 S *	1/2010	Loibl	.....	D26/40
D611,630 S *	3/2010	Chan	.....	D26/40
D650,104 S *	12/2011	Brands et al.	.....	D26/41
D658,324 S *	4/2012	Reimann et al.	.....	D26/40

**OTHER PUBLICATIONS**

Ultimate Survival Gear, Product Descr. [http://www.reveresupply.com/2013\\_ust\\_site/Root/2\\_30-day\\_lantern.html](http://www.reveresupply.com/2013_ust_site/Root/2_30-day_lantern.html) prior to Nov. 26, 2012.

Lighting Ever, Product Descr. <http://www.lightingever.com/led-lantern-light-3001m.html> prior to Nov. 26, 2012.

Rayovac Product Descr <http://www.rayovac.com/Products/Lights/Outdoor/LED-4-Watt-3D-240-Lumen-Area-Lantern.aspx> prior to Nov. 26, 2012.

Imperial, Product Descr [http://www.amazon.com/Portable-Purpose-Bright-Camping-Lantern/dp/B00896N8CO/ref=pd\\_rhf\\_se\\_p\\_t\\_2\\_M600](http://www.amazon.com/Portable-Purpose-Bright-Camping-Lantern/dp/B00896N8CO/ref=pd_rhf_se_p_t_2_M600) prior to Nov. 26, 2012.

(Continued)

*Primary Examiner* — Ian Simmons

*Assistant Examiner* — Carissa C Fitts

(74) *Attorney, Agent, or Firm* — Stephen H. Eland; Dann, Dorfman, Herrell & Skillman

(57) **CLAIM**

The ornamental design for a portable light, as shown and described.

**DESCRIPTION**

FIG. 1 is a perspective view of an ornamental design for a portable light;

FIG. 2 is a front view of the design for a portable light;

FIG. 3 is a rear view of the design for a portable light;

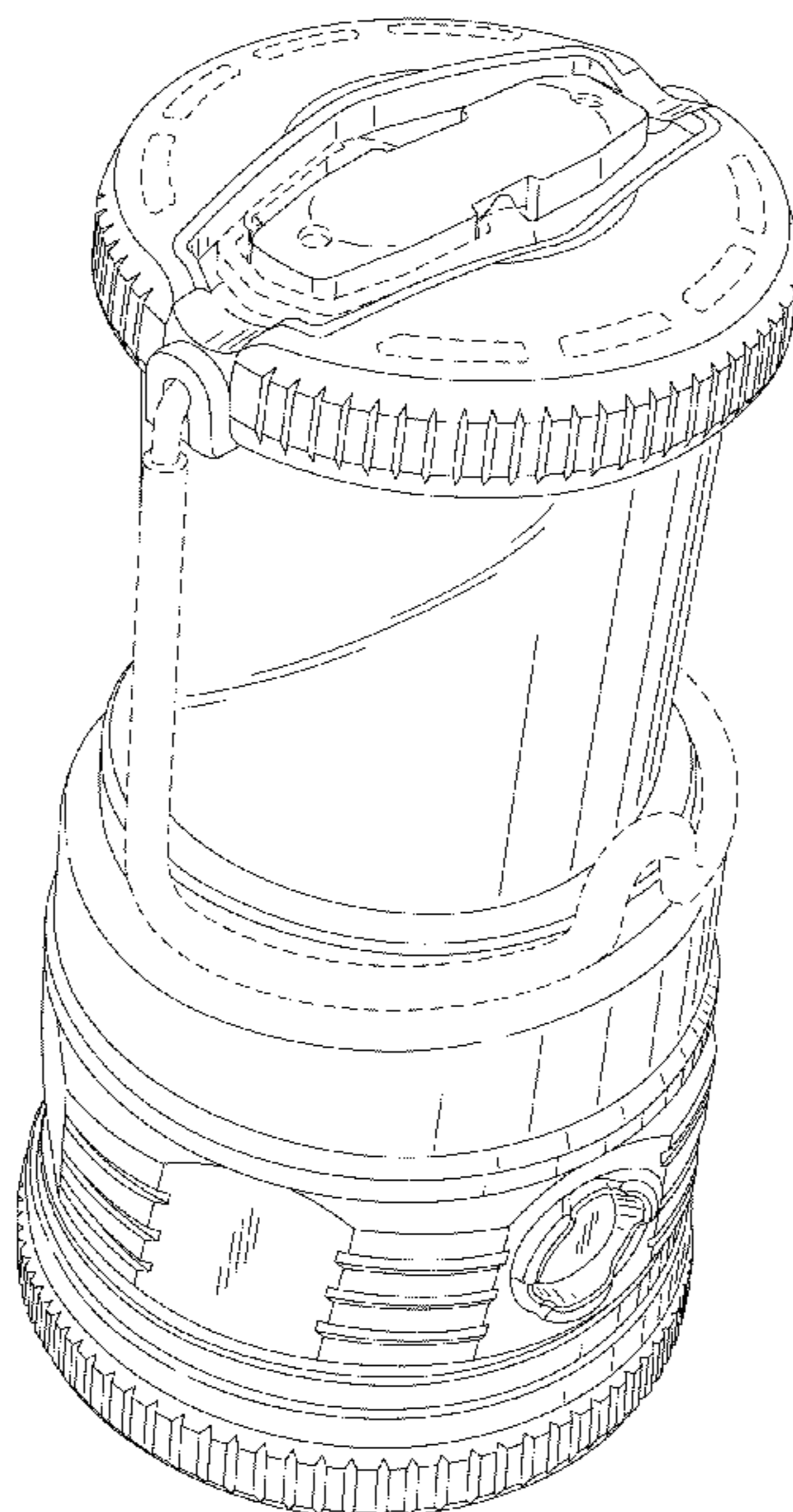
FIG. 4 is a first side view of the design for a portable light, with the second side being a substantial mirror of the first side;

FIG. 5 is a top view of the design for a portable light; and,

FIG. 6 is a bottom view of the design for a portable light.

The broken lines in the Figures indicate unclaimed parts and form no part of the claimed design.

**1 Claim, 5 Drawing Sheets**



(56)

**References Cited**

OTHER PUBLICATIONS

Nichia, Product Descr. [http://www.amazon.com/Nichia-300-Lumens-Extreme-Lantern/dp/B008DXYTYE/ref=pd\\_rhf\\_dp\\_p\\_t\\_4\\_Z09X](http://www.amazon.com/Nichia-300-Lumens-Extreme-Lantern/dp/B008DXYTYE/ref=pd_rhf_dp_p_t_4_Z09X) prior to Nov. 26, 2012.

Eureka!, Product Descr. [http://www.amazon.com/Eureka-Magic-125-Lantern-Flashlight/dp/B002NM39VA/ref=sr\\_1\\_31?s=sporting-goods&ie=UTF8&qid=1397057806&sr=1-31](http://www.amazon.com/Eureka-Magic-125-Lantern-Flashlight/dp/B002NM39VA/ref=sr_1_31?s=sporting-goods&ie=UTF8&qid=1397057806&sr=1-31), prior to Nov. 26, 2012.

Coleman, Product Descr. <http://www.coleman.com/product/pack-away-led-lantern/4345-702?contextCategory=10454> prior to Nov. 26, 2012.

Coleman, Product Descr. <http://www.coleman.com/product/4d-cpx-personal-size-led-lantern/2000008545?contextCategory=10452> prior to Nov. 26, 2012.

Coleman, Product Descr., <http://www.amazon.com/Coleman-4D-Pack-Away-LED-Lantern/dp/B00168OD62> prior to Nov. 26, 2012.

Coleman, Product Descr. [http://www.amazon.com/Coleman-CPX6-High-Tech-LED-Lantern/dp/B00CHHNLZ0/ref=pd\\_sbs\\_sg\\_1?ie=UTF8&refRID=1YFB7SJSRPNWB24F2NCB](http://www.amazon.com/Coleman-CPX6-High-Tech-LED-Lantern/dp/B00CHHNLZ0/ref=pd_sbs_sg_1?ie=UTF8&refRID=1YFB7SJSRPNWB24F2NCB) prior to Nov. 26, 2012.

\* cited by examiner

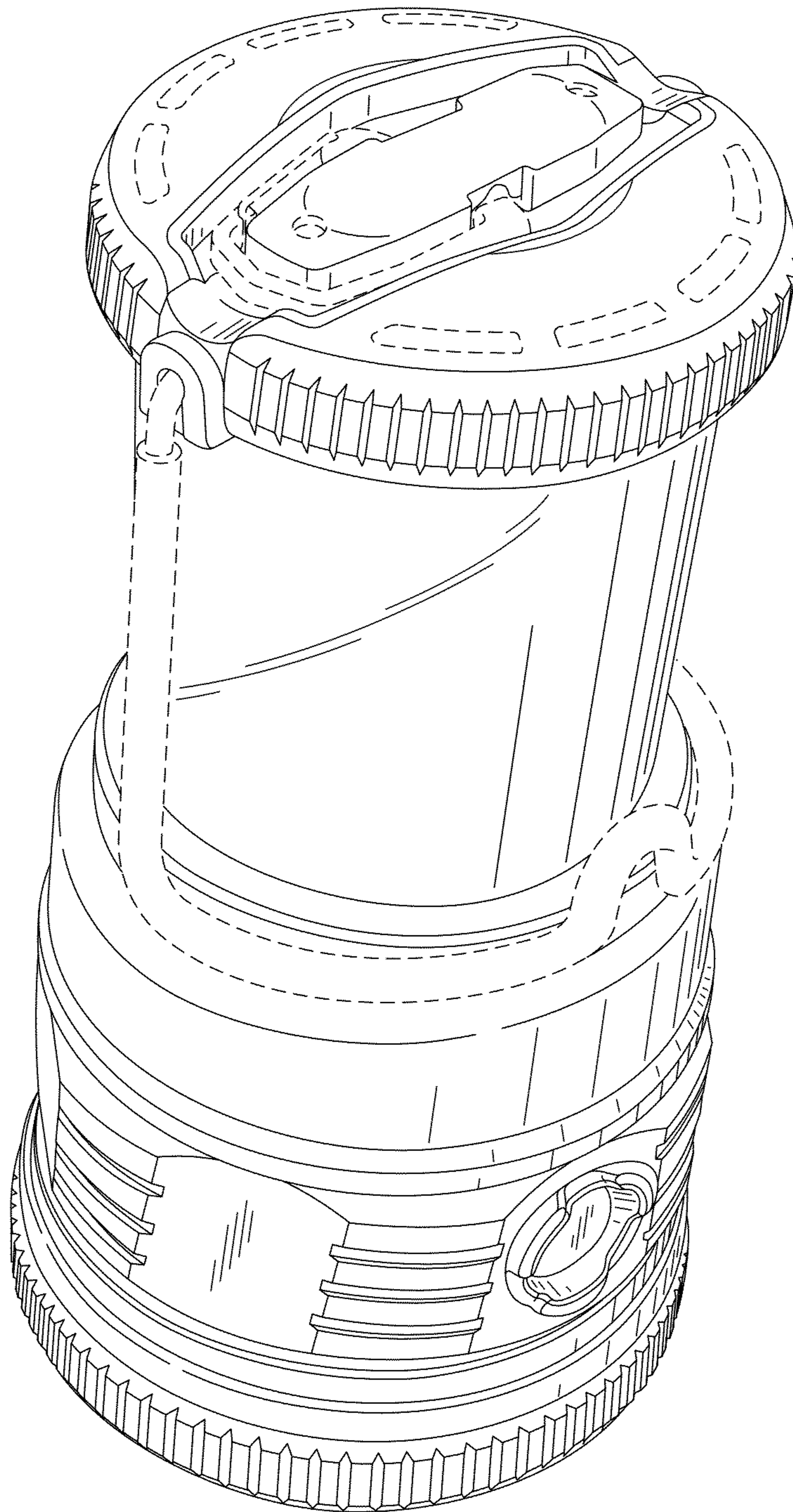


FIG. 1



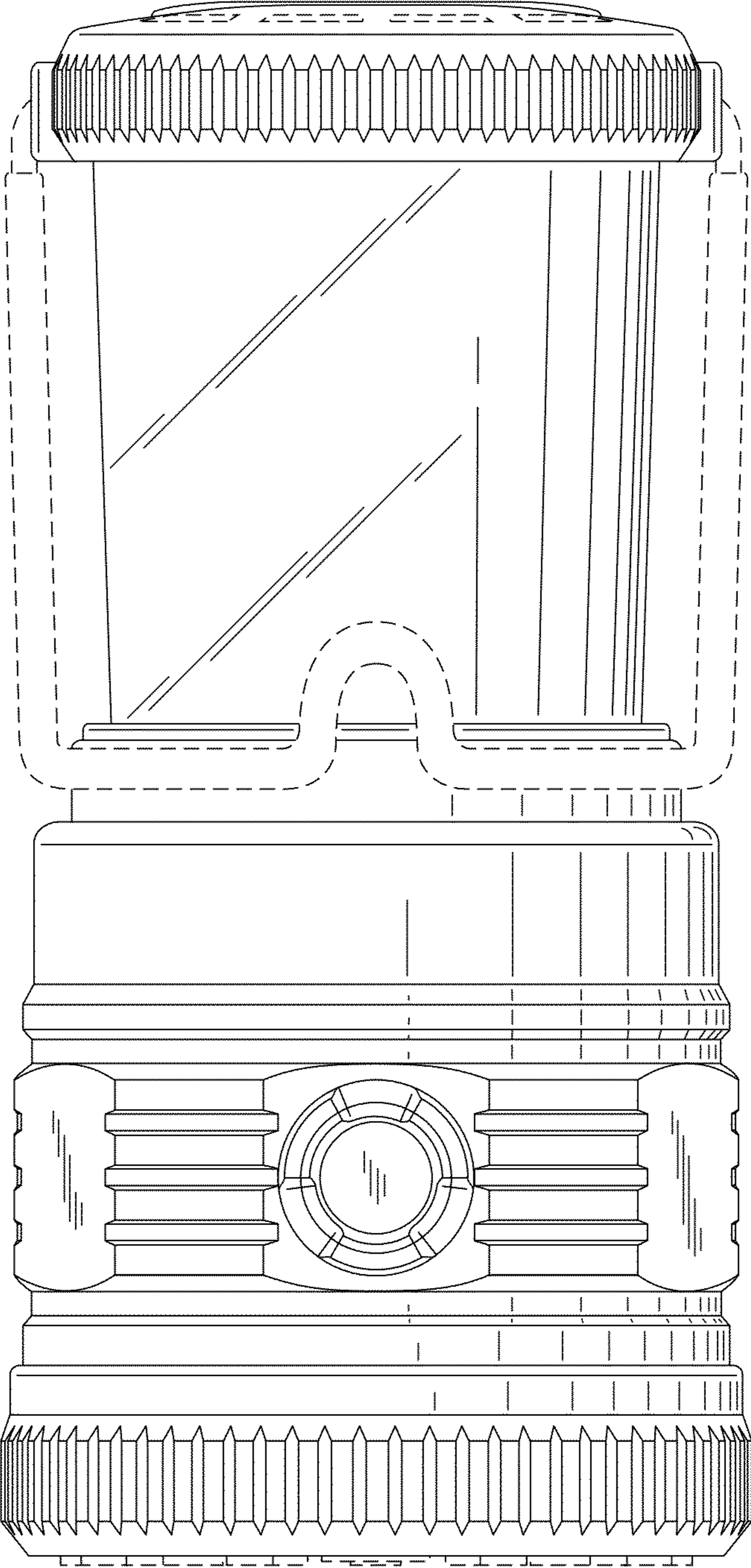


FIG. 2

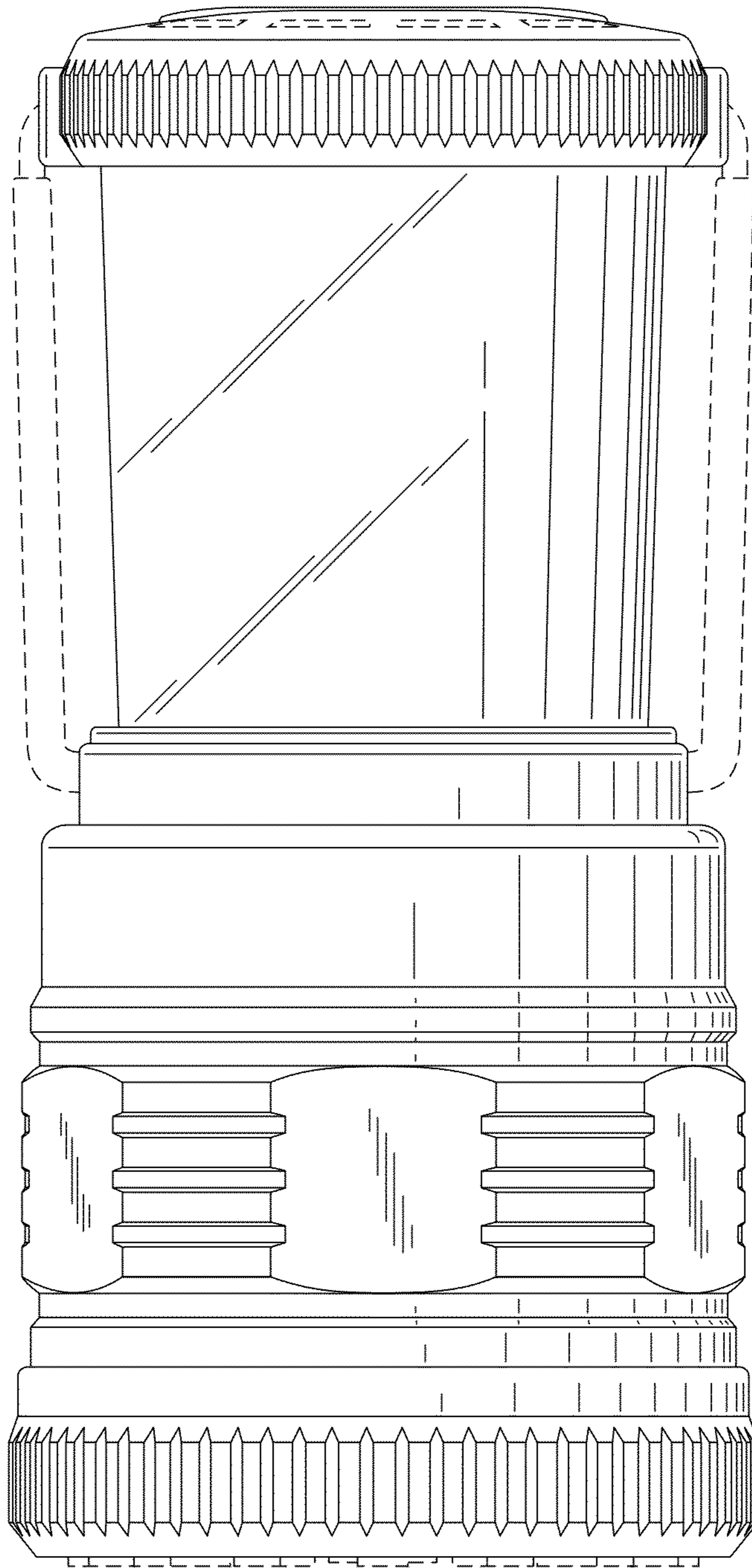


FIG. 3

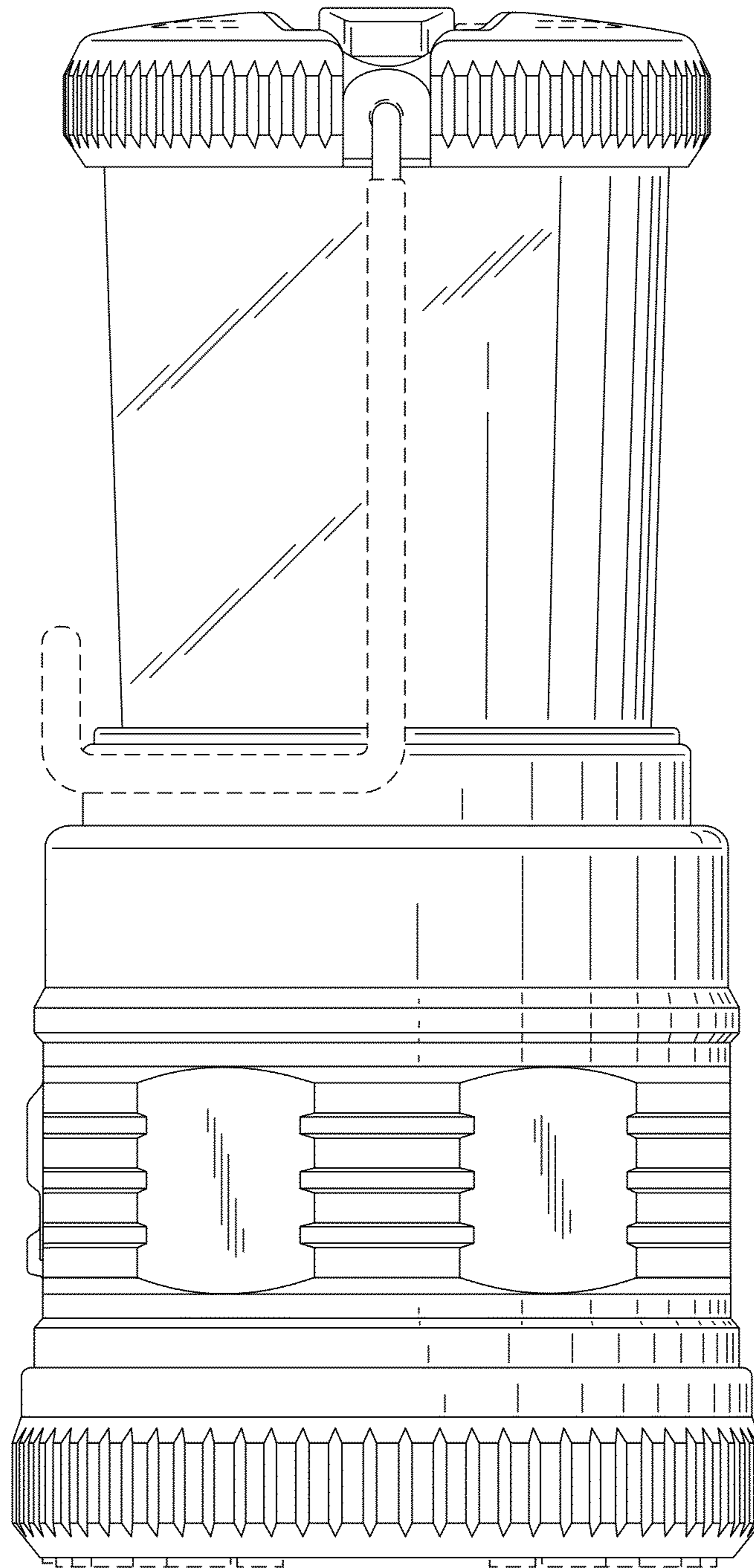


FIG. 4

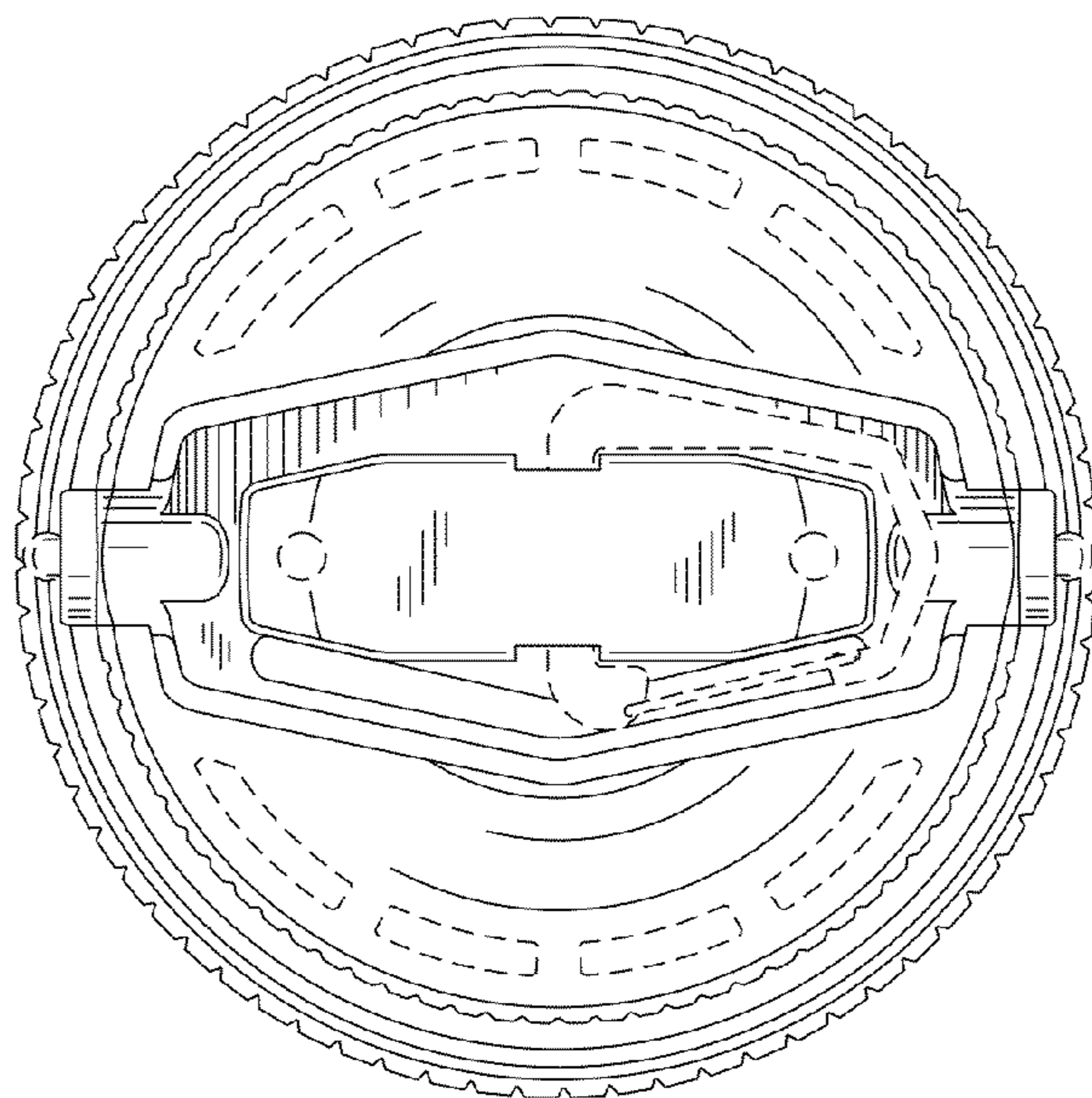


FIG. 5

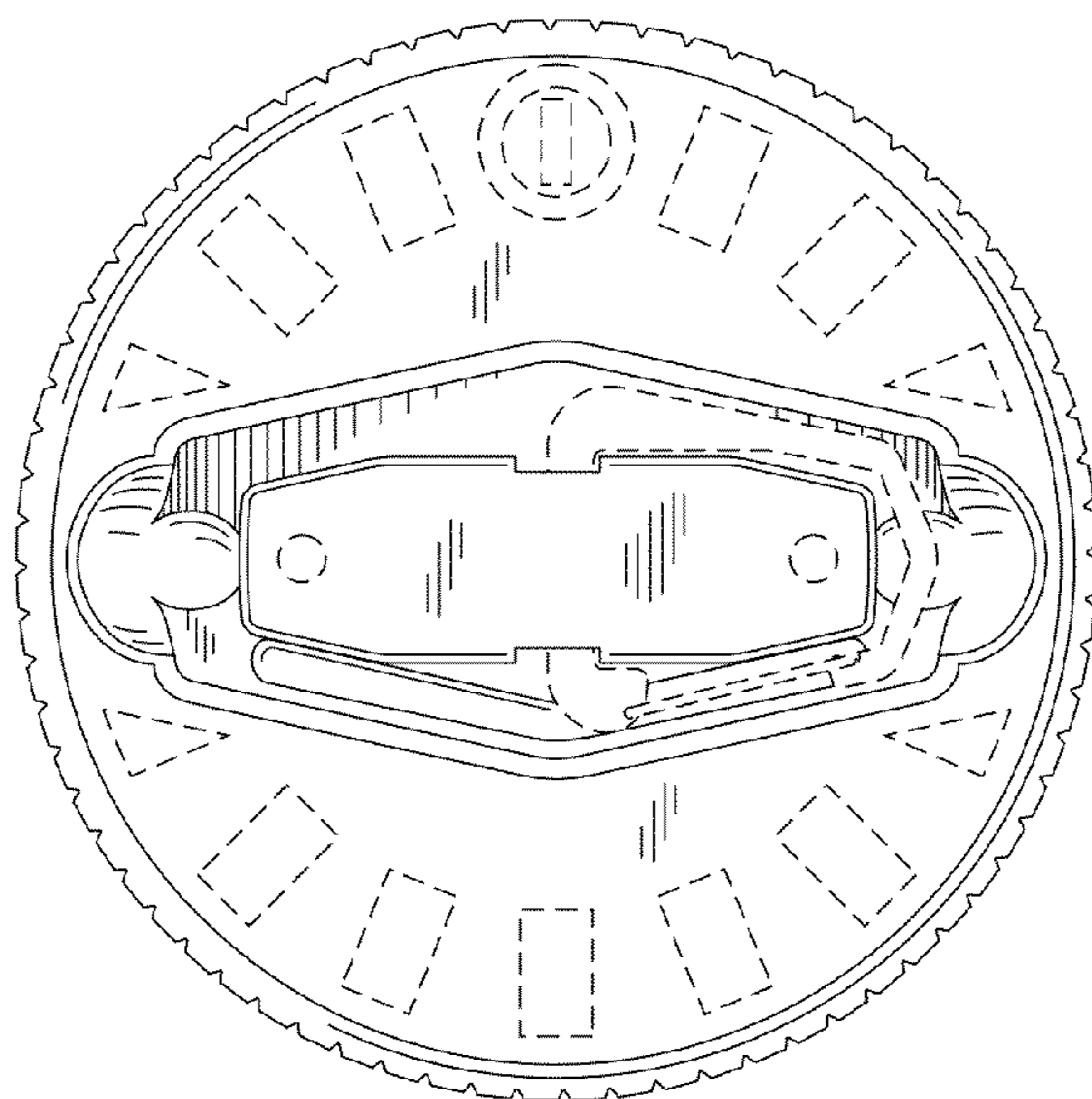


FIG. 6



UNITED STATES PATENT AND TRADEMARK OFFICE  
**CERTIFICATE OF CORRECTION**

PATENT NO. : D725,300 S  
APPLICATION NO. : 29/445313  
DATED : March 24, 2015  
INVENTOR(S) : Dalton

Page 1 of 4

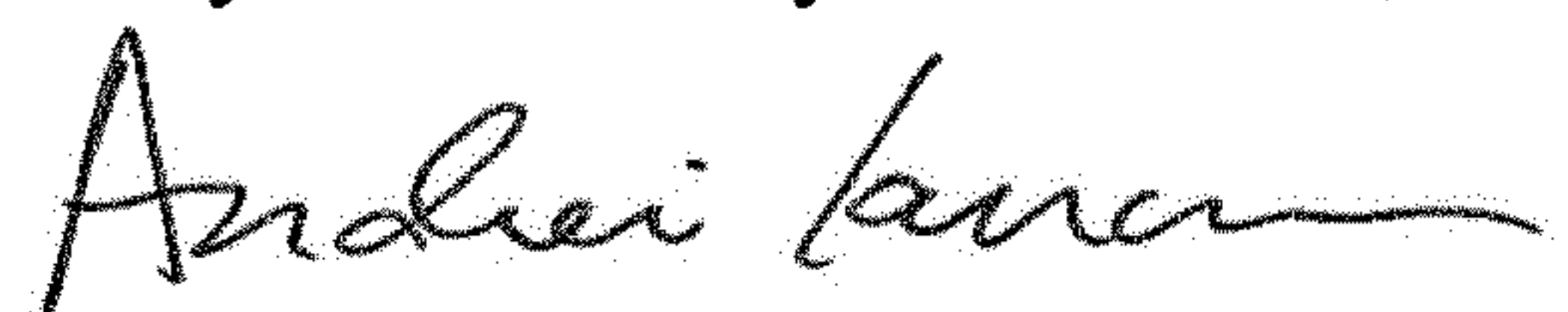
It is certified that error appears in the above-identified patent and that said Letters Patent is hereby corrected as shown below:

Delete the title page and substitute therefore with the attached title page consisting of the corrected illustrative figure.

Please replace Figure 1 as shown on the attached drawing sheet.

Please replace Figure 6 as shown on the attached drawing sheet.

Signed and Sealed this  
Twenty-second Day of October, 2019



Andrei Iancu  
*Director of the United States Patent and Trademark Office*



(12) **United States Design Patent** (10) **Patent No.:** **US D725,300 S**  
**Dalton** (45) **Date of Patent:** **\*\* Mar. 24, 2015**

(54) **PORTABLE LIGHT**

(71) Applicant: **Streamlight Inc.**, Eagleville, PA (US)

(72) Inventor: **Matthew B. Dalton**, Elkins Park, PA (US)

(73) Assignee: **Streamlight Inc.**, Eagleville, PA (US)

(\*\*) Term: **14 Years**

(21) Appl. No.: **29/445,313**

(22) Filed: **Feb. 11, 2013**

(51) **LOC (10) CL.** ..... **26-02**

(52) **U.S. CL.**  
 USPC ..... **D26/40**

(58) **Field of Classification Search**  
 USPC ..... D26/37, 38, 40, 41, 44, 46, 48, 49, 50;  
 362/157, 158, 171-174, 183, 184,  
 362/194-196, 200-208, 253

See application file for complete search history.

(56) **References Cited**

**U.S. PATENT DOCUMENTS**

D424,227 S *	5/2000	Long	.....	D26/50
D483,892 S *	12/2003	Poon	.....	D26/40
D537,968 S *	3/2007	Shiu	.....	D26/40
D542,953 S *	5/2007	Lee	.....	D26/40
D547,891 S *	7/2007	Shiu	.....	D26/40
D559,418 S *	1/2008	Poon	.....	D26/40
D575,429 S *	8/2008	Shiu	.....	D26/40
D599,923 S *	9/2009	Shiu	.....	D26/40
D608,920 S *	1/2010	Loibl	.....	D26/40
D611,630 S *	3/2010	Chan	.....	D26/40
D650,104 S *	12/2011	Brands et al.	.....	D26/41
D658,324 S *	4/2012	Reimann et al.	.....	D26/40

**OTHER PUBLICATIONS**

Ultimate Survival Gear, Product Descr. [http://www.reversupply.com/2013\\_ust\\_site/Root/2\\_30-day\\_lantern.html](http://www.reversupply.com/2013_ust_site/Root/2_30-day_lantern.html) prior to Nov. 26, 2012.

Lighting Ever, Product Descr. <http://www.lightingever.com/led-lantern-light-300lm.html> prior to Nov. 26, 2012.

Rayovac Product Descr <http://www.rayovac.com/Products/Lights/Outdoor/LED-4-Watt-3D-240-Lumen-Area-Lantern.aspx> prior to Nov. 26, 2012.

Imperial, Product Descr [http://www.amazon.com/Portable-Purpose-Bright-Camping-Lantern/dp/B00896N8CO/ref=pd\\_rhf\\_se\\_p\\_t\\_2\\_M600](http://www.amazon.com/Portable-Purpose-Bright-Camping-Lantern/dp/B00896N8CO/ref=pd_rhf_se_p_t_2_M600) prior to Nov. 26, 2012.

(Continued)

*Primary Examiner* — Ian Simmons

*Assistant Examiner* — Carissa C Fitts

(74) *Attorney, Agent, or Firm* — Stephen H. Eland; Dann, Dorfman, Herrell & Skillman

(57) **CLAIM**

The ornamental design for a portable light, as shown and described.

**DESCRIPTION**

FIG. 1 is a perspective view of an ornamental design for a portable light;

FIG. 2 is a front view of the design for a portable light;

FIG. 3 is a rear view of the design for a portable light;

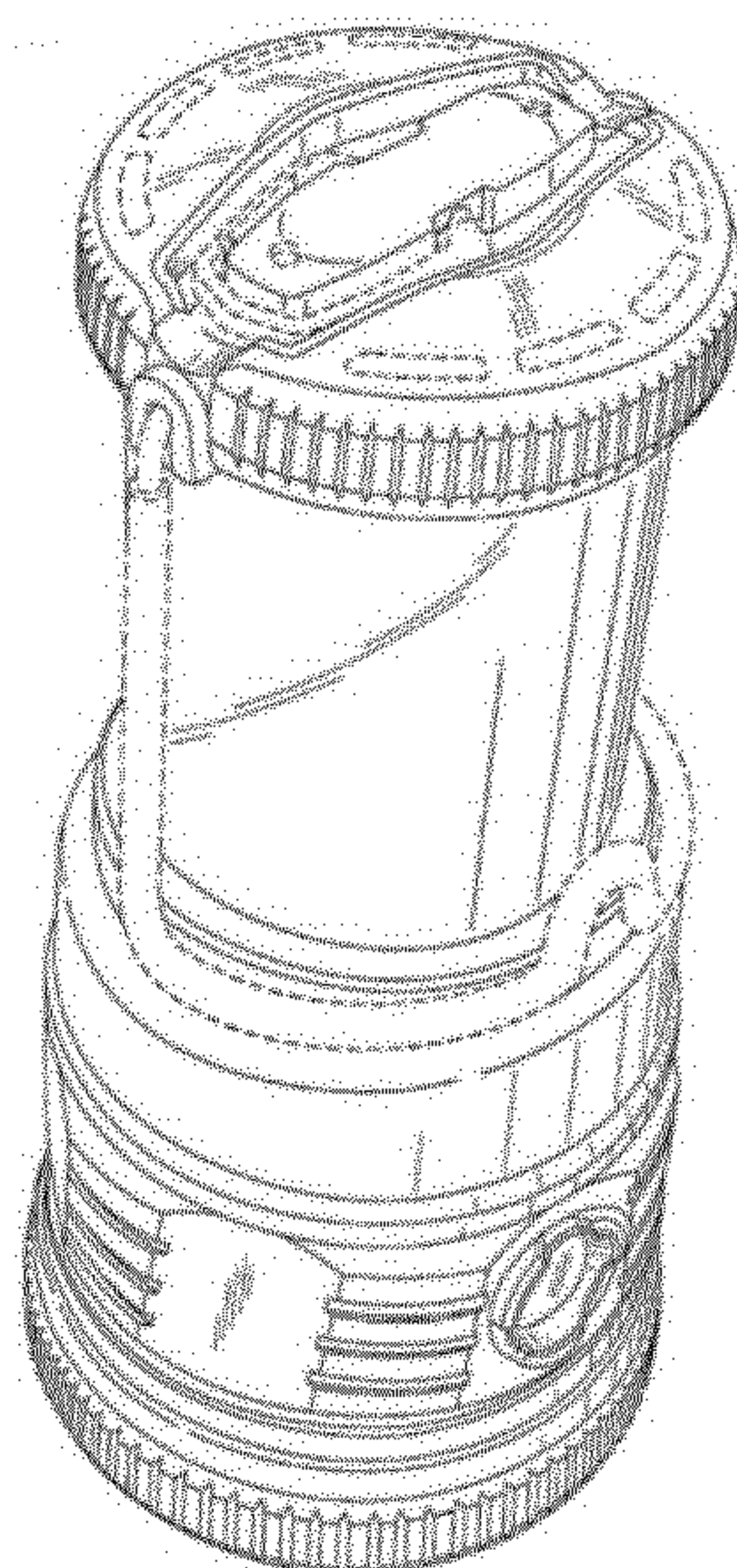
FIG. 4 is a first side view of the design for a portable light, with the second side being a substantial mirror of the first side;

FIG. 5 is a top view of the design for a portable light; and,

FIG. 6 is a bottom view of the design for a portable light.

The broken lines in the Figures indicate unclaimed parts and form no part of the claimed design.

**1 Claim, 5 Drawing Sheets**





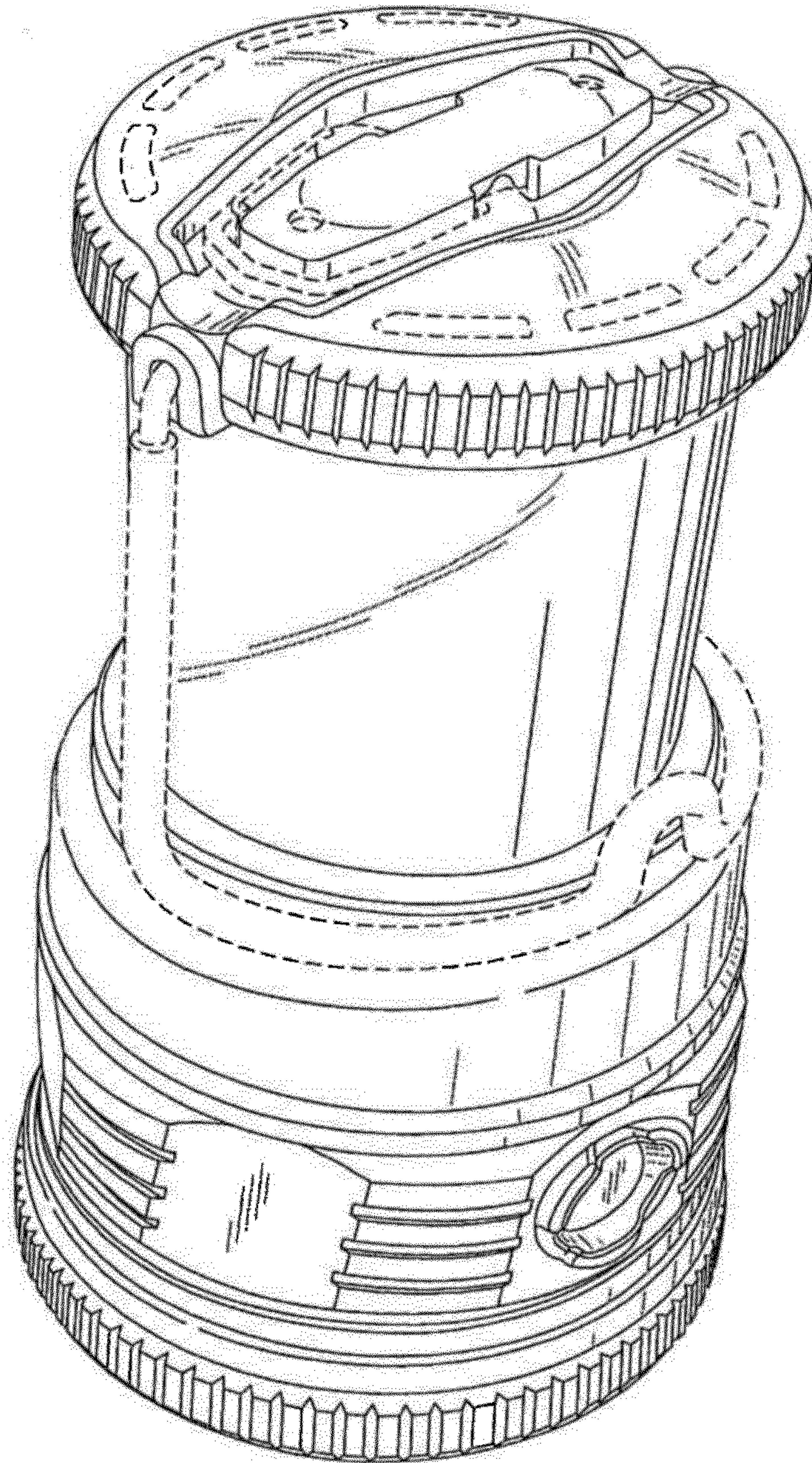


FIG. 1

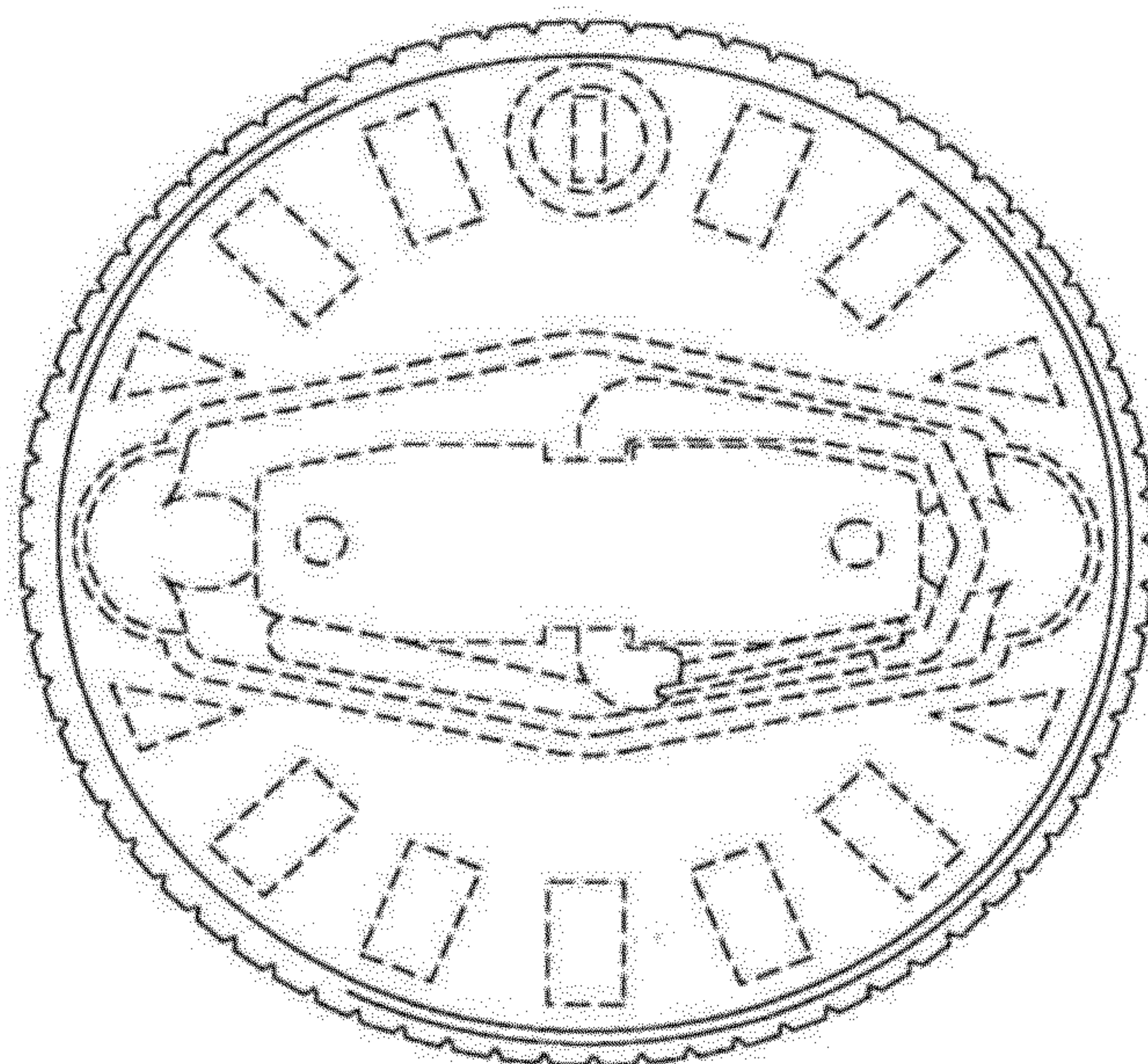


FIG. 6