



US00D725297S

(12) **United States Design Patent**  
**Taylor et al.**

(10) **Patent No.:** **US D725,297 S**

(45) **Date of Patent:** **\*\* \*Mar. 24, 2015**

(54) **POST**

(71) Applicant: **Onesteel Wire Pty Limited**, Sydney  
NSW (AU)

(72) Inventors: **Brad Taylor**, Speers Point (AU); **Mark White**, Charlestown (AU)

(73) Assignee: **Onesteel Wire Pty Limited** (AU)

(\* ) Notice: This patent is subject to a terminal disclaimer.

(\*\*) Term: **14 Years**

(21) Appl. No.: **29/462,009**

(22) Filed: **Jul. 30, 2013**

(30) **Foreign Application Priority Data**

Jan. 30, 2013 (AU) ..... 10457/2013

(51) **LOC (10) Cl.** ..... **25-01**

(52) **U.S. Cl.**  
USPC ..... **D25/126**

(58) **Field of Classification Search**  
USPC ..... D25/42, 43, 126, 128, 131, 132, 119;  
52/300, 301; 256/21, 22, 34, 47, 65.01,  
256/DIG. 5

See application file for complete search history.

(56) **References Cited**

U.S. PATENT DOCUMENTS

1,964,404	A *	6/1934	Lynch	.....	256/48
3,491,985	A *	1/1970	Grimsley	.....	256/47
5,860,636	A *	1/1999	Duncan et al.	.....	256/1
7,500,653	B1 *	3/2009	Hartman et al.	.....	256/1
D609,825	S *	2/2010	Clarke et al.	.....	D25/126
D621,072	S *	8/2010	Fickbohm	.....	D25/119

OTHER PUBLICATIONS

Davis, Leon; Examination Report; New Zealand Design No. 417846; Aug. 19, 2013; Intellectual Property Office of New Zealand; Wellington, New Zealand.

\* cited by examiner

*Primary Examiner* — Doris Clark

(74) *Attorney, Agent, or Firm* — Stevens & Showalter LLP

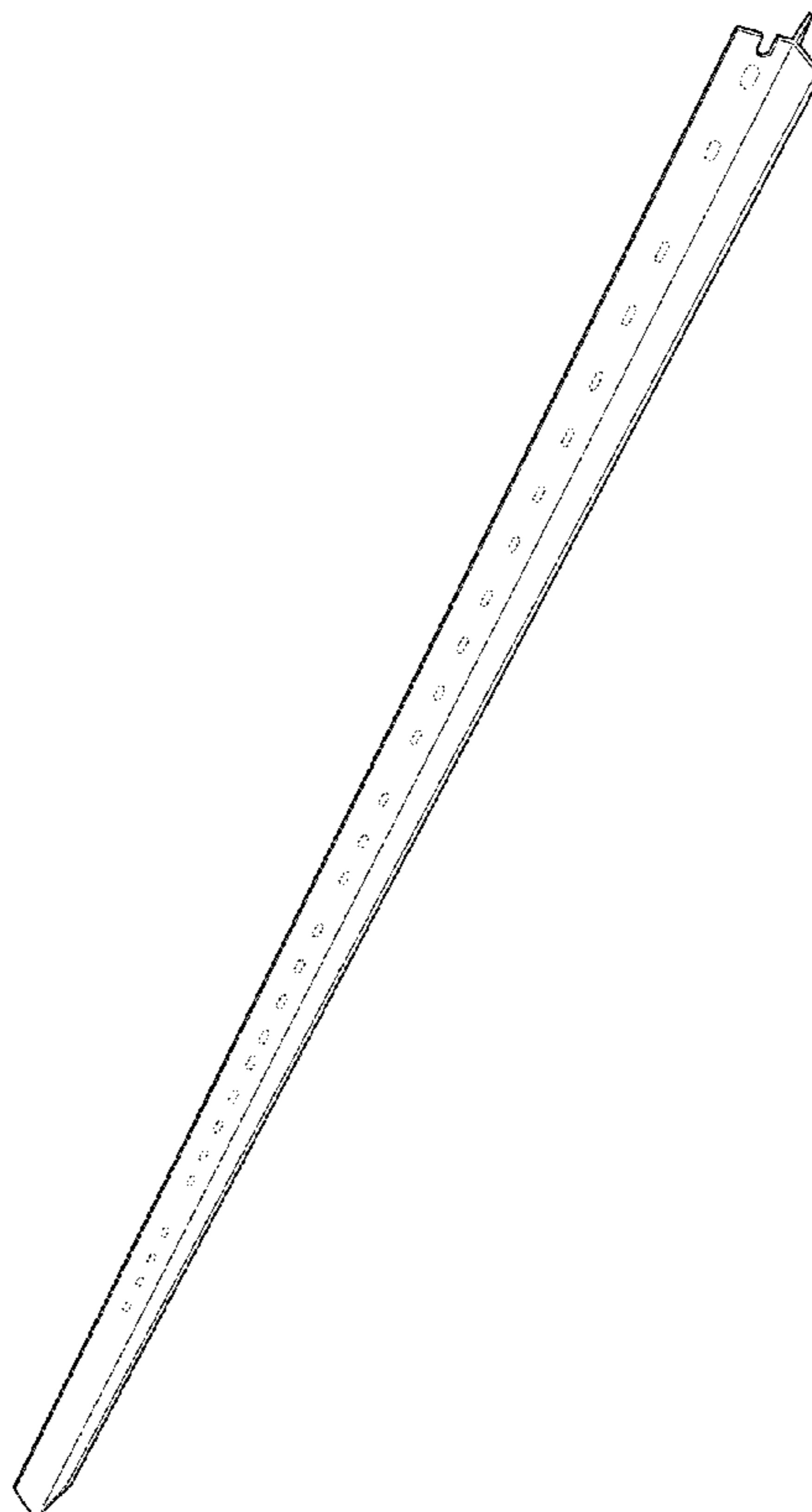
(57) **CLAIM**

The ornamental design for a post, as shown and described.

**DESCRIPTION**

FIG. 1 is perspective view of the post; and, FIG. 2 is a side elevation view thereof. The broken lines form no part of the claimed design so that no particular regard is to be had to the shape of the holes which are shown for illustrative purposes only.

**1 Claim, 1 Drawing Sheet**



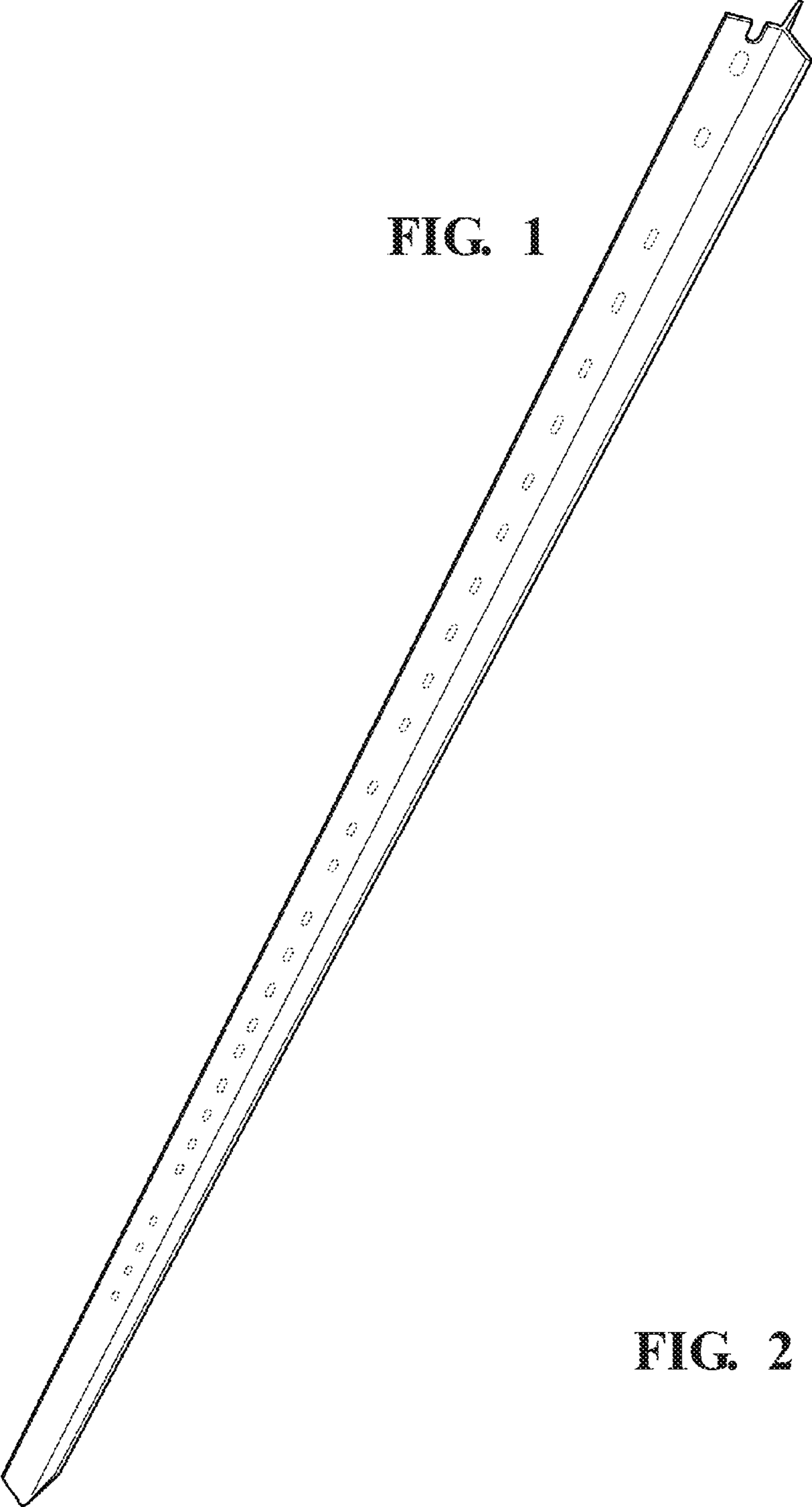


FIG. 1

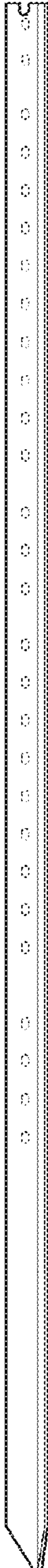


FIG. 2