



US00D725292S

(12) **United States Design Patent**
Wheelington

(10) **Patent No.:** **US D725,292 S**
(45) **Date of Patent:** **** Mar. 24, 2015**

- (54) **HUNTING TREE STAND**
- (71) Applicant: **Ryan Wheelington**, Louann, AR (US)
- (72) Inventor: **Ryan Wheelington**, Louann, AR (US)
- (**) Term: **14 Years**
- (21) Appl. No.: **29/462,616**
- (22) Filed: **Aug. 6, 2013**
- (51) **LOC (10) Cl.** **25-04**
- (52) **U.S. Cl.**
USPC **D25/62**
- (58) **Field of Classification Search**
USPC D25/62; 182/187, 129, 115
See application file for complete search history.

6,334,508	B1	1/2002	Shields	
6,571,916	B1	6/2003	Swanson	
6,702,239	B2	3/2004	Boucher	
6,722,472	B2 *	4/2004	Berkbuegler	182/187
6,880,810	B1	4/2005	Hu	
7,845,621	B1	12/2010	Lu	
7,926,775	B1 *	4/2011	Milazzo et al.	248/230.8
8,177,177	B2	5/2012	Ehrig	
2002/0148685	A1 *	10/2002	Shan et al.	182/187
2004/0149871	A1	8/2004	Authenment	
2012/0119044	A1	5/2012	Wilson	

* cited by examiner

Primary Examiner — Doris Clark
(74) *Attorney, Agent, or Firm* — Stephen D. Carver

(57) **CLAIM**
I claim the ornamental design for a hunting tree stand, as shown and described.

(56) **References Cited**

U.S. PATENT DOCUMENTS

4,722,501	A	2/1988	Ruhl	
5,282,520	A	2/1994	Walker	
5,507,362	A	4/1996	Krueger	
D373,427	S *	9/1996	Russom	D25/62
5,848,666	A	12/1998	Woodall	
6,003,632	A	12/1999	Miller	
6,085,868	A	7/2000	Anthony	
6,185,303	B1	2/2001	Losey	
D444,573	S *	7/2001	Owens et al.	D25/62
D445,201	S *	7/2001	D'Acquisto	D25/62
6,322,279	B1	11/2001	Yamamoto	

DESCRIPTION

FIG. 1 is a front perspective view showing my hunting tree stand;
FIG. 2 is a rear perspective view thereof;
FIG. 3 is a left side elevation view thereof;
FIG. 4 is a right side elevation view thereof;
FIG. 5 is a rear elevation view thereof;
FIG. 6 is a front elevation view thereof;
FIG. 7 is a top plan view thereof; and,
FIG. 8 is a bottom plan view thereof.

1 Claim, 6 Drawing Sheets

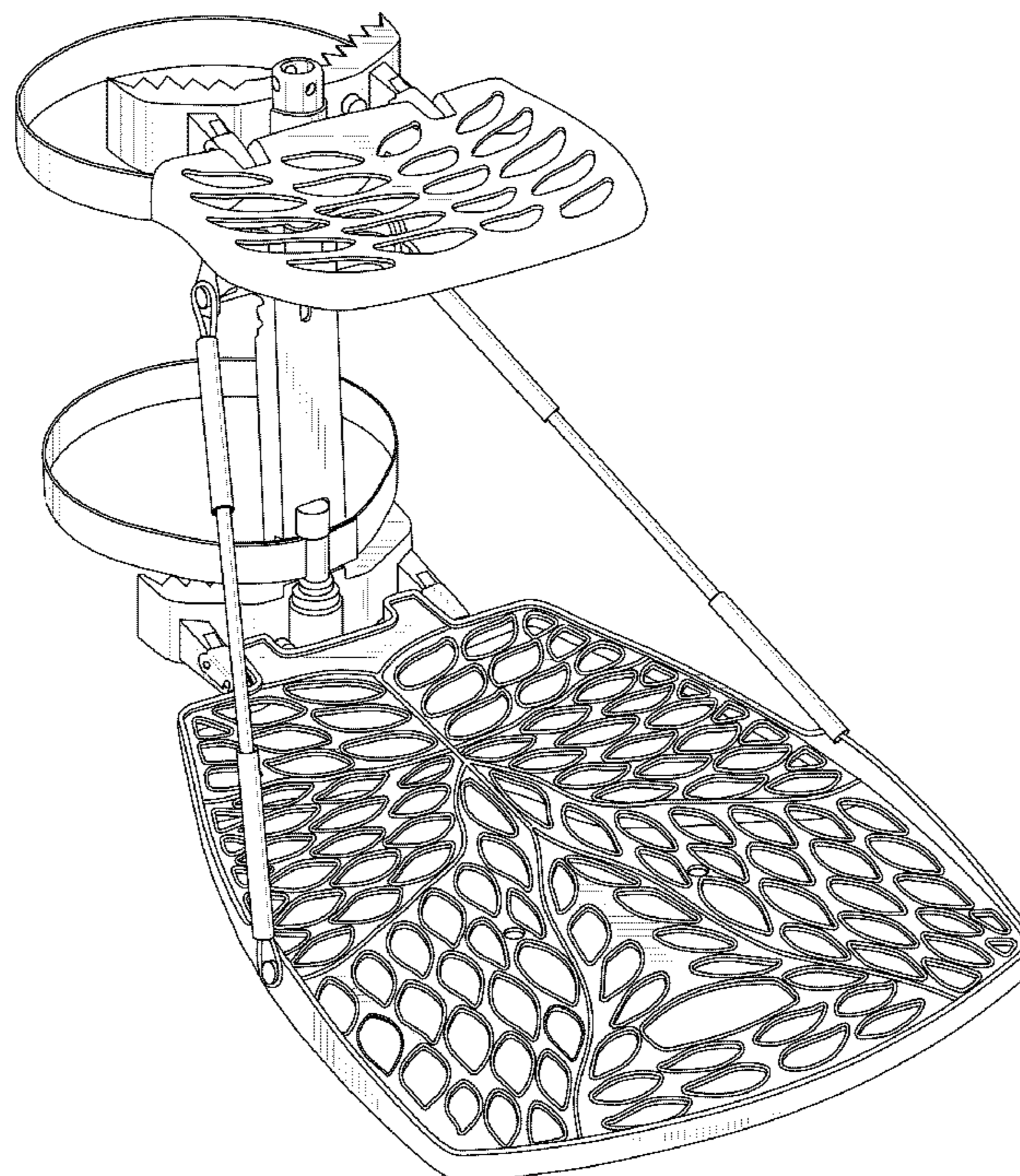


Fig. 1

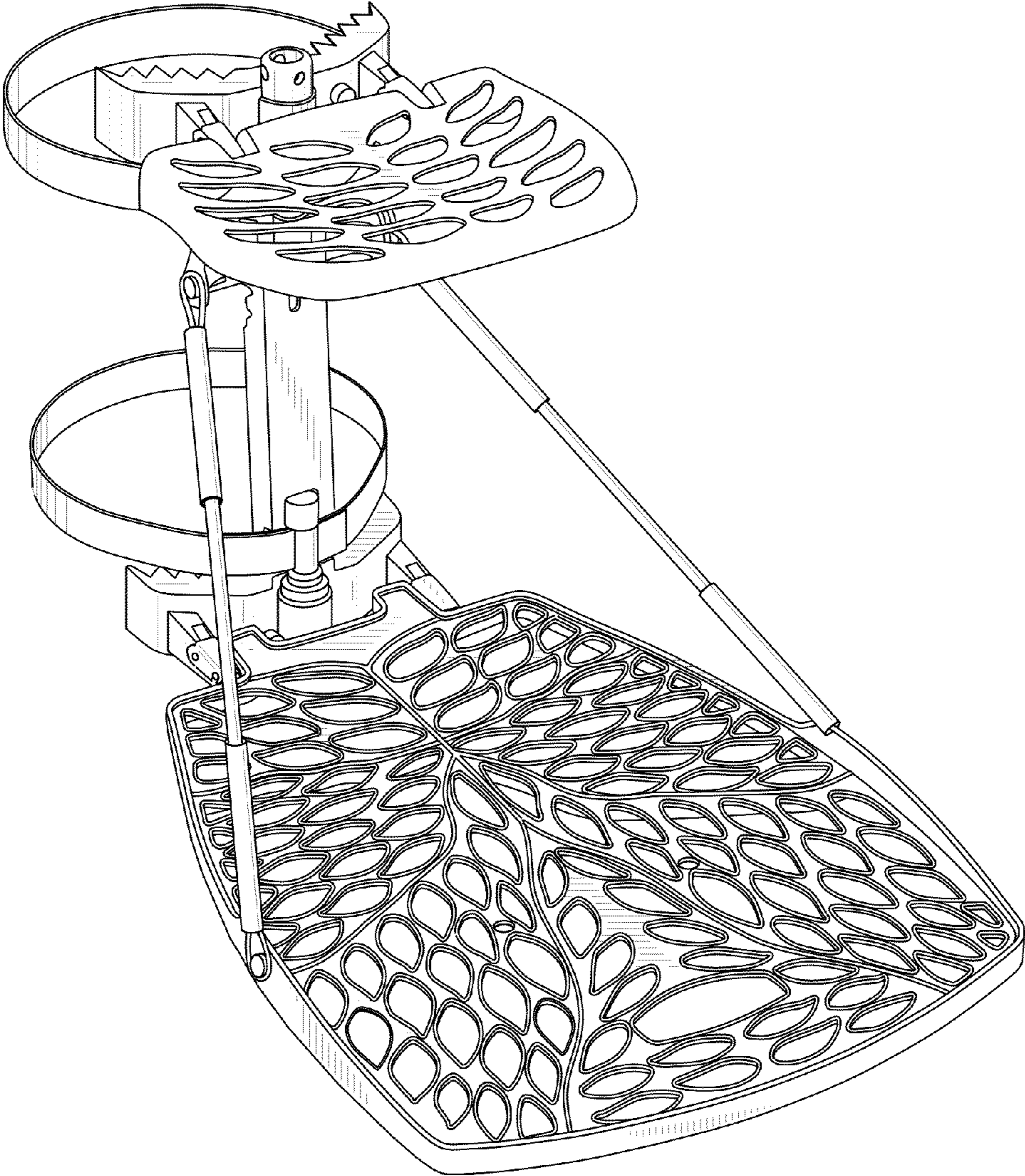


Fig. 2

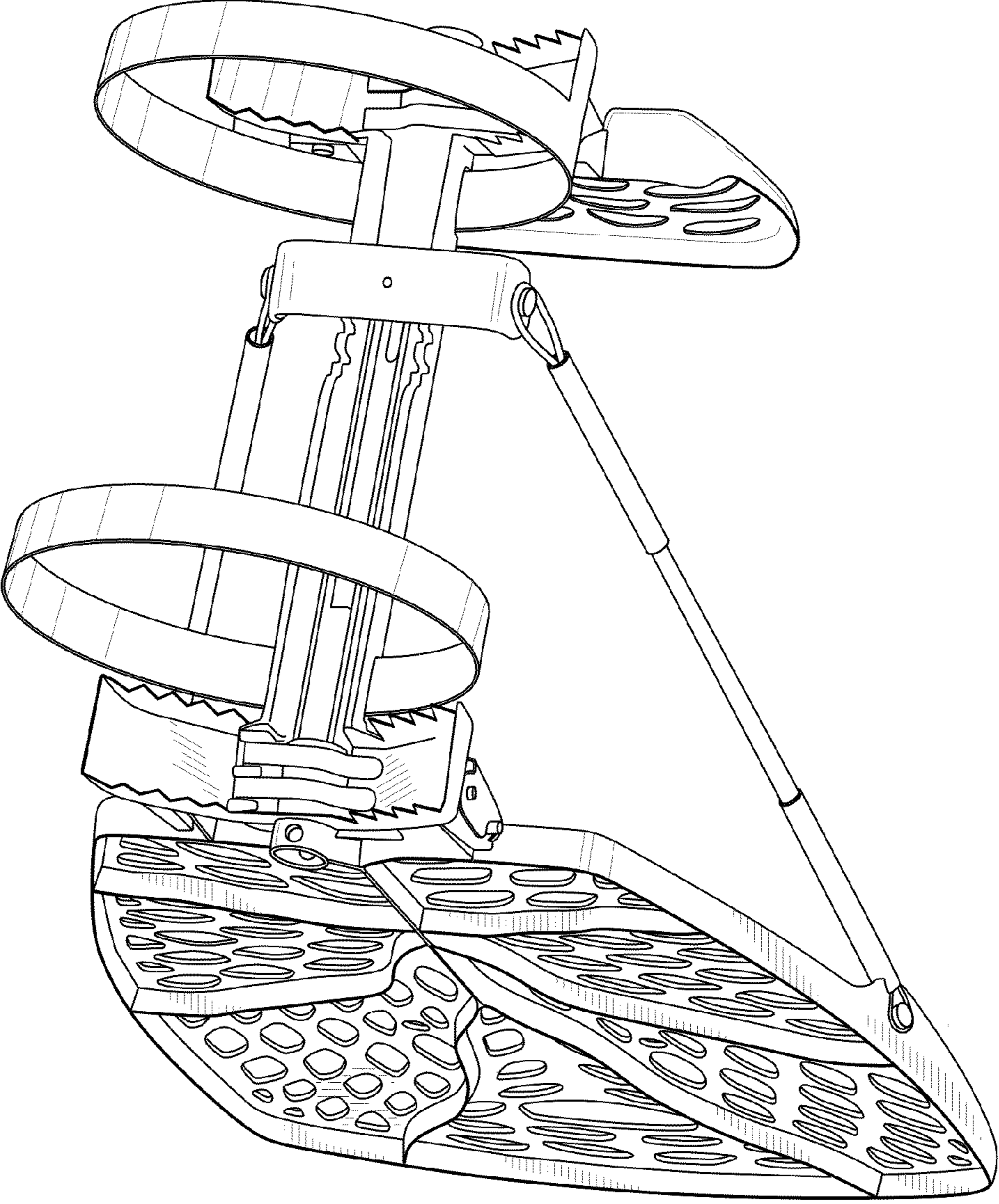


Fig. 3

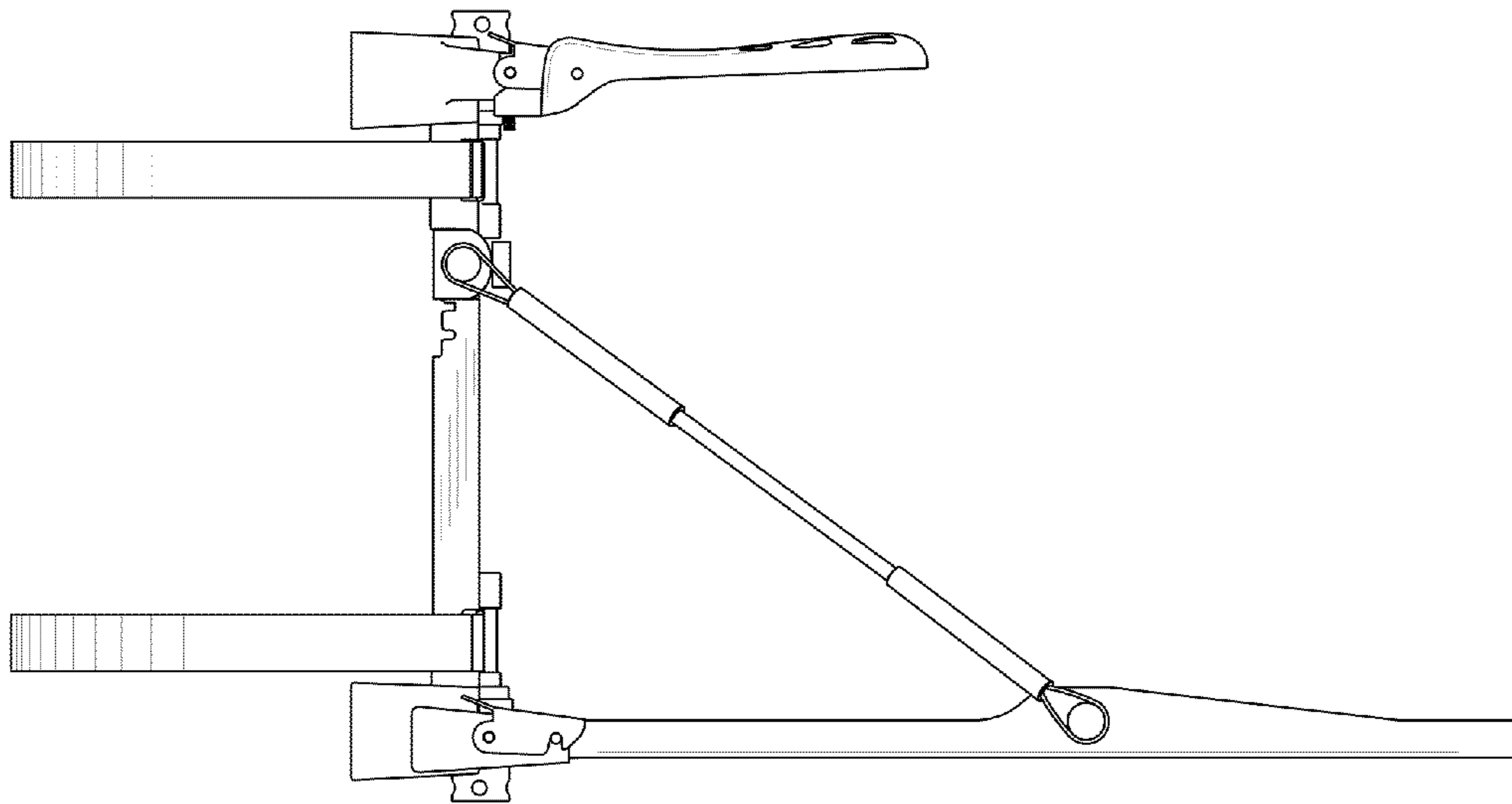


Fig. 4

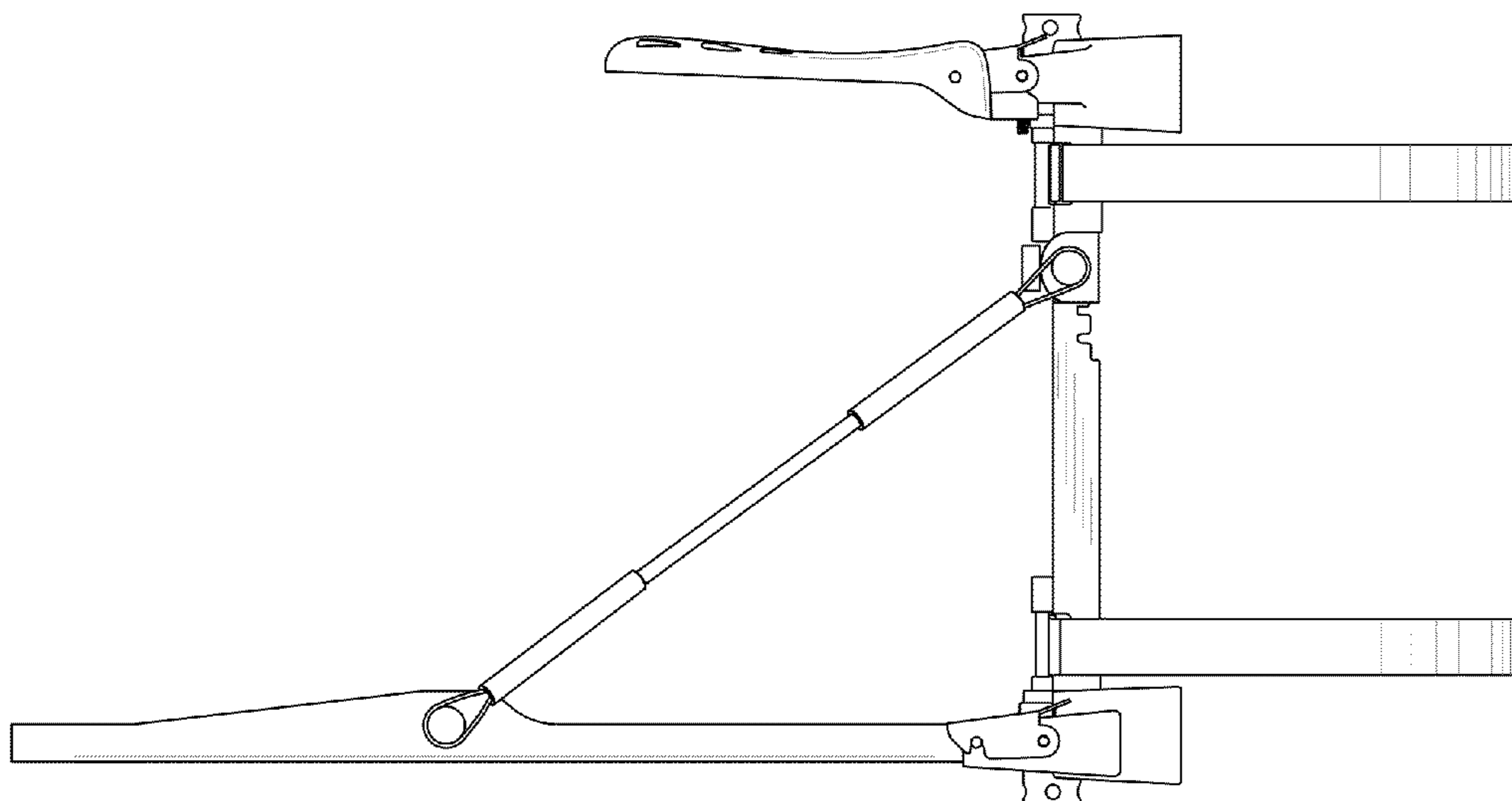


Fig. 5

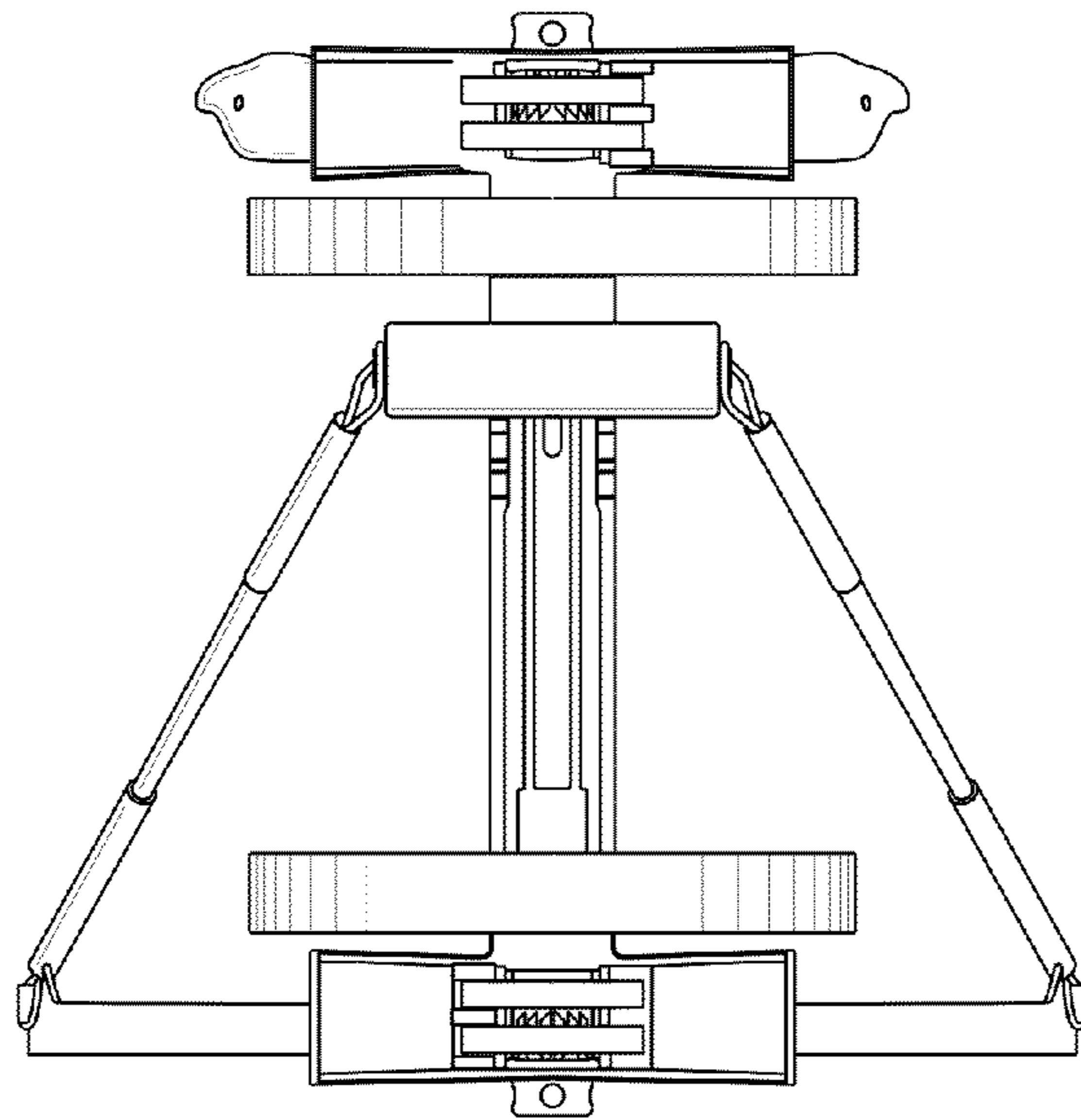


Fig. 6

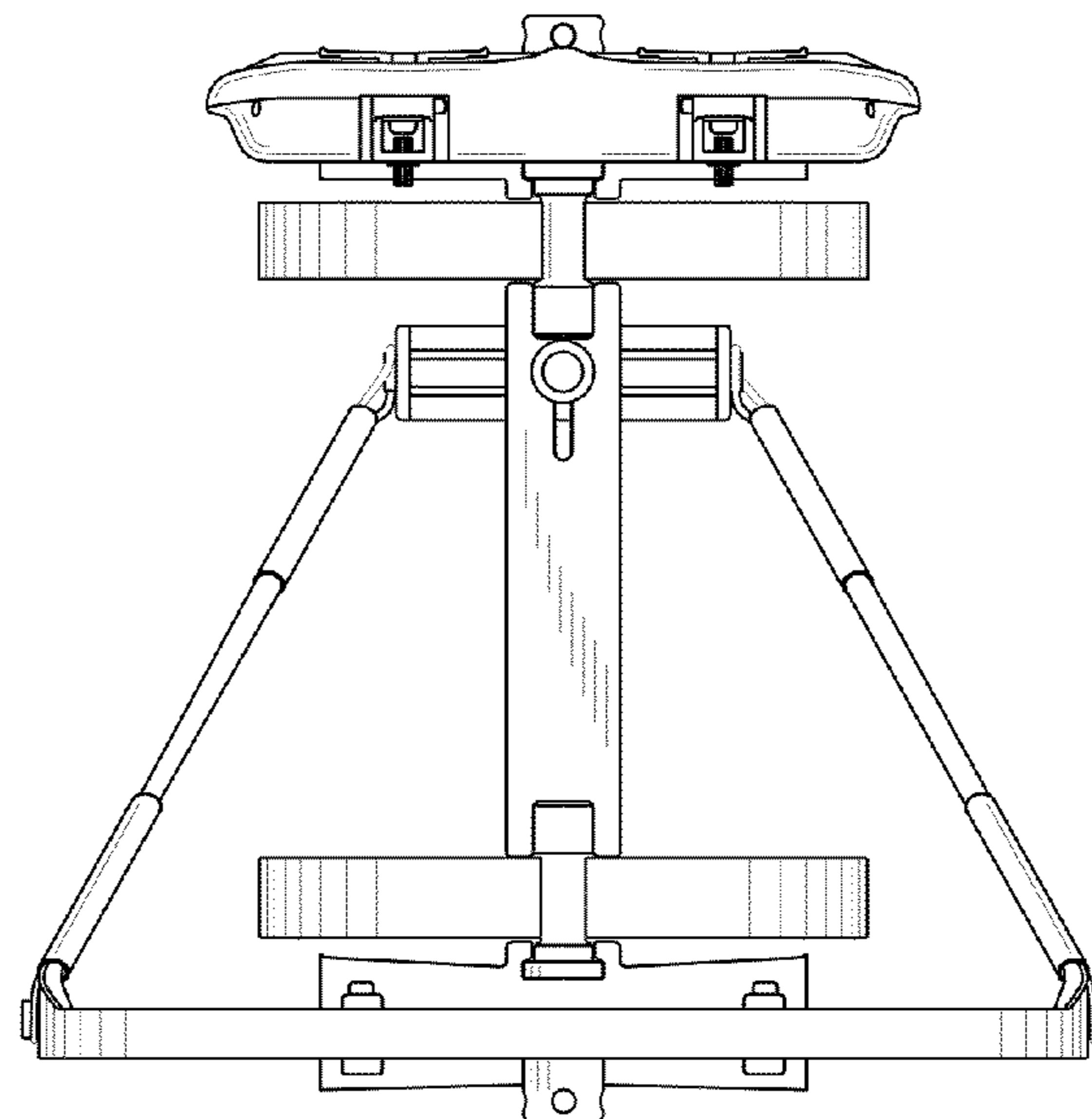


Fig. 7

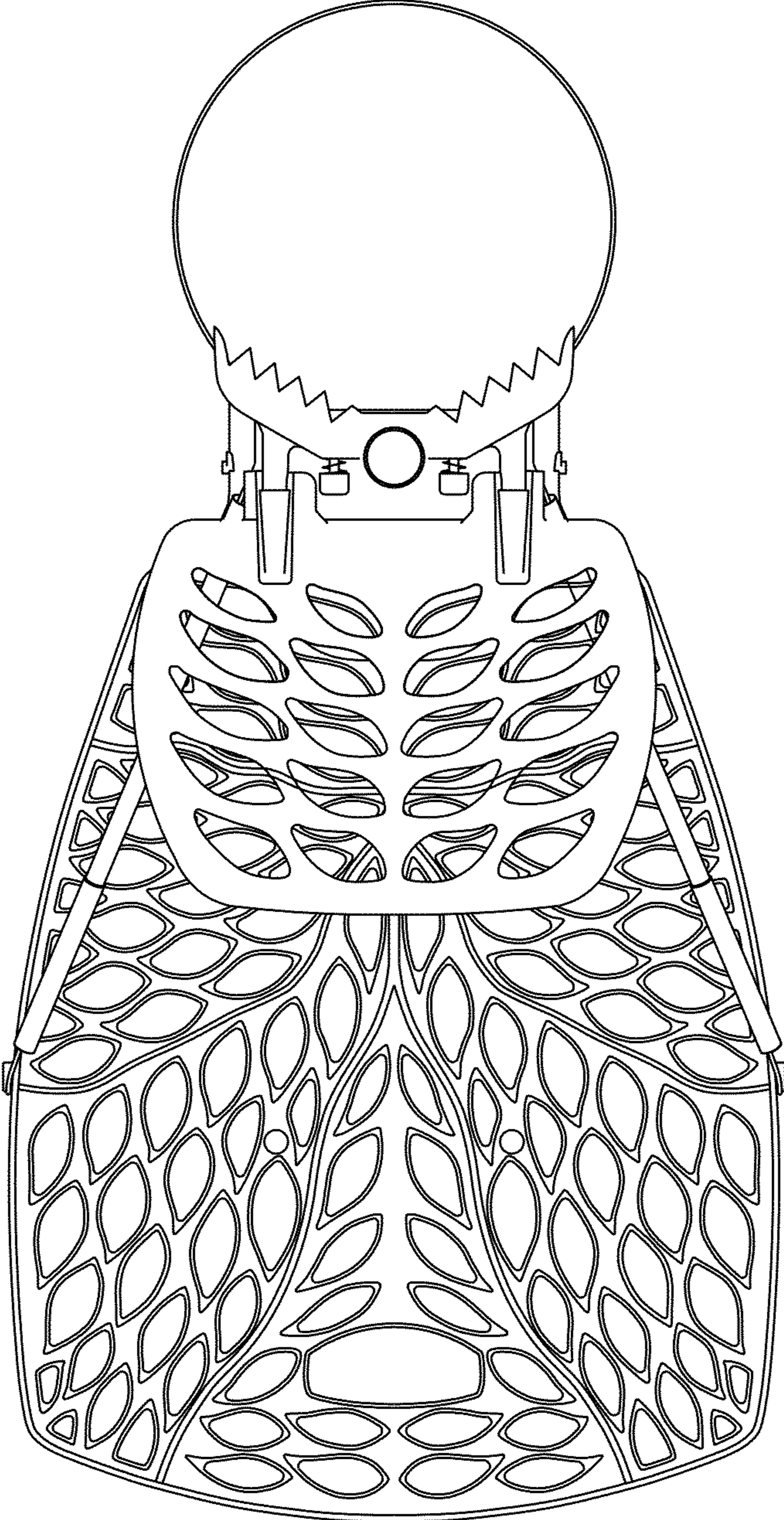


Fig. 8

