



US00D725285S

(12) **United States Design Patent**
Wohlstadter et al.

(10) **Patent No.:** **US D725,285 S**
(45) **Date of Patent:** **** Mar. 24, 2015**

(54) **TOUCHSCREEN INSTRUMENT**

(71) Applicant: **Meso Scale Technologies, LLC.**,
Rockville, MD (US)
(72) Inventors: **Jacob N. Wohlstadter**, Potomac, MD
(US); **Sandor Kovacs**, Middletown, DE
(US); **Rodger Darin Osborne**, Stuart,
FL (US)
(73) Assignee: **Meso Scale Technologies, LLC.**,
Rockville, MD (US)

(**) Term: **14 Years**

(21) Appl. No.: **29/469,948**

(22) Filed: **Oct. 16, 2013**

(51) **LOC (10) Cl.** **24-01**

(52) **U.S. Cl.**
USPC **D24/216; D14/336**

(58) **Field of Classification Search**
USPC D14/336, 388, 447, 383-385, 387, 375;
D24/185, 186, 165, 167, 110, 216;
D17/22; D13/162, 162.1, 163, 184,
D13/108; 422/65-65, 67, 68.1, 69, 70, 500;
436/43, 45, 47

See application file for complete search history.

(56) **References Cited**

U.S. PATENT DOCUMENTS

D96,018 S * 6/1935 Cannon D14/251
D208,475 S * 9/1967 Wood D13/168
D331,747 S * 12/1992 Takahashi D14/336
D452,509 S * 12/2001 Allsop D14/458
D462,957 S * 9/2002 Ekelund D14/336
D493,232 S * 7/2004 Wohlstadter et al. D24/216
D542,279 S * 5/2007 Chan D14/216
D542,791 S * 5/2007 Fitch et al. D14/385
D559,889 S * 1/2008 Nakao et al. D17/22
D568,378 S * 5/2008 Nakao et al. D17/22
D570,829 S * 6/2008 Matsuoka D14/216
D585,056 S * 1/2009 Ekelund D14/336
7,479,946 B2 * 1/2009 Fitch et al. 345/173

D601,617 S * 10/2009 Cohen D17/22
D612,503 S * 3/2010 Johnston et al. D24/186
D620,884 S * 8/2010 Lee et al. D13/108
D628,203 S * 11/2010 Noble D14/447
D640,976 S * 7/2011 Matsuoka D13/108
D643,844 S * 8/2011 Akana et al. D14/447
D647,209 S * 10/2011 Muller et al. D24/216
D662,939 S * 7/2012 Akana et al. D14/447
D665,501 S * 8/2012 Shibata et al. D24/165
D669,432 S * 10/2012 Park D13/108
D673,952 S * 1/2013 Toda et al. D14/383
D680,653 S * 4/2013 Fullerton et al. D24/167
D686,335 S * 7/2013 Feuerabend et al. D24/216
D687,809 S * 8/2013 Bergmann et al. D14/209.1
D690,137 S * 9/2013 Kikkert et al. D6/672
D691,096 S * 10/2013 Beroukas et al. D13/162

(Continued)

Primary Examiner — Deanna L Pratt

(74) *Attorney, Agent, or Firm* — Scully, Scott, Murphy &
Presser, P.C.

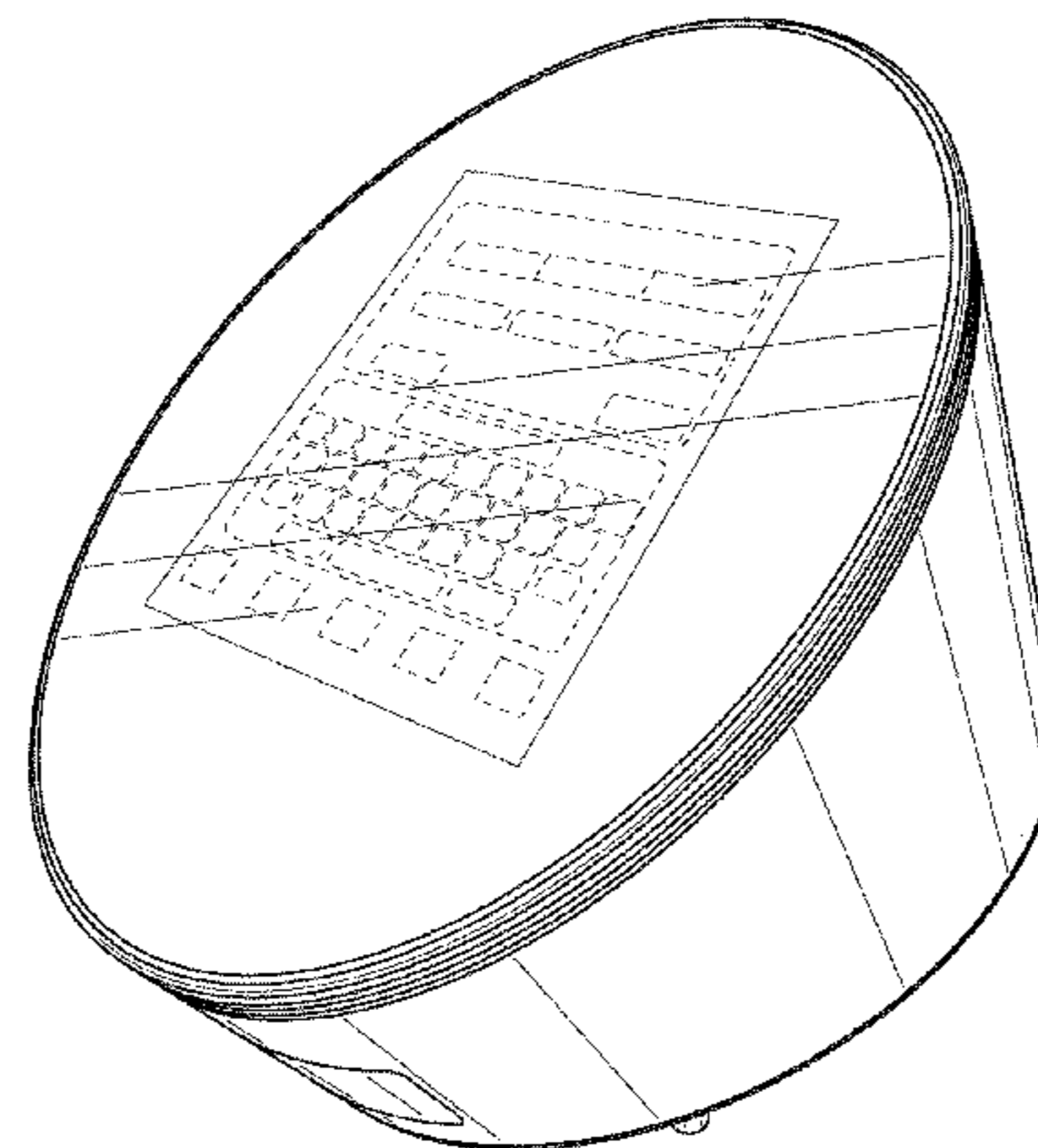
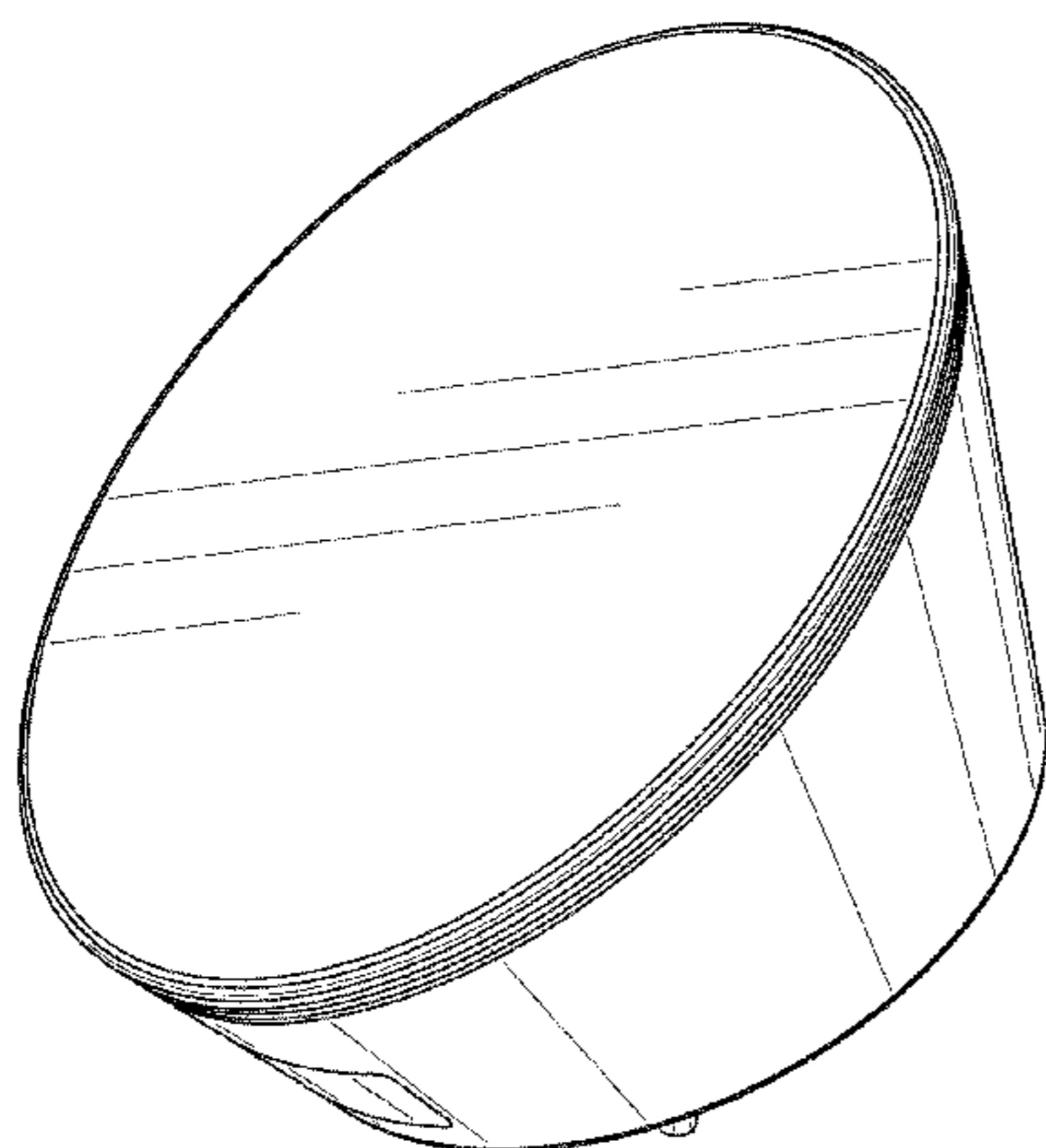
(57) **CLAIM**

The ornamental design for a touchscreen instrument, as
shown and described.

DESCRIPTION

FIG. 1 is a perspective view of the touchscreen instrument
showing a first embodiment of our new and ornamental
design;
FIG. 2 is a front view thereof;
FIG. 3 is back view thereof;
FIG. 4 is a left side view thereof;
FIG. 5 is a right side view thereof;
FIG. 6 is a top view thereof;
FIG. 7 is a bottom view thereof;
FIG. 8 is a perspective view of the touchscreen instrument
showing a second embodiment thereof;
FIG. 9 is a front view thereof;
FIG. 10 is a top view thereof; and,
FIG. 11 is an alternate perspective view thereof.
The broken lines in the drawings illustrate portions of the
touchscreen instrument that form no part of the claimed
design.

1 Claim, 11 Drawing Sheets



(56)

References Cited

U.S. PATENT DOCUMENTS

D691,965 S * 10/2013 Bedolla et al. D13/162
D697,027 S * 1/2014 Ho D13/108
D701,831 S * 4/2014 Park et al. D13/108

D703,237 S * 4/2014 Choi et al. D14/502
8,688,037 B2 * 4/2014 Chatterjee et al. 455/41.1
D714,248 S * 9/2014 Chang D14/140
D714,458 S * 9/2014 Chapdelaine et al. D24/216

* cited by examiner

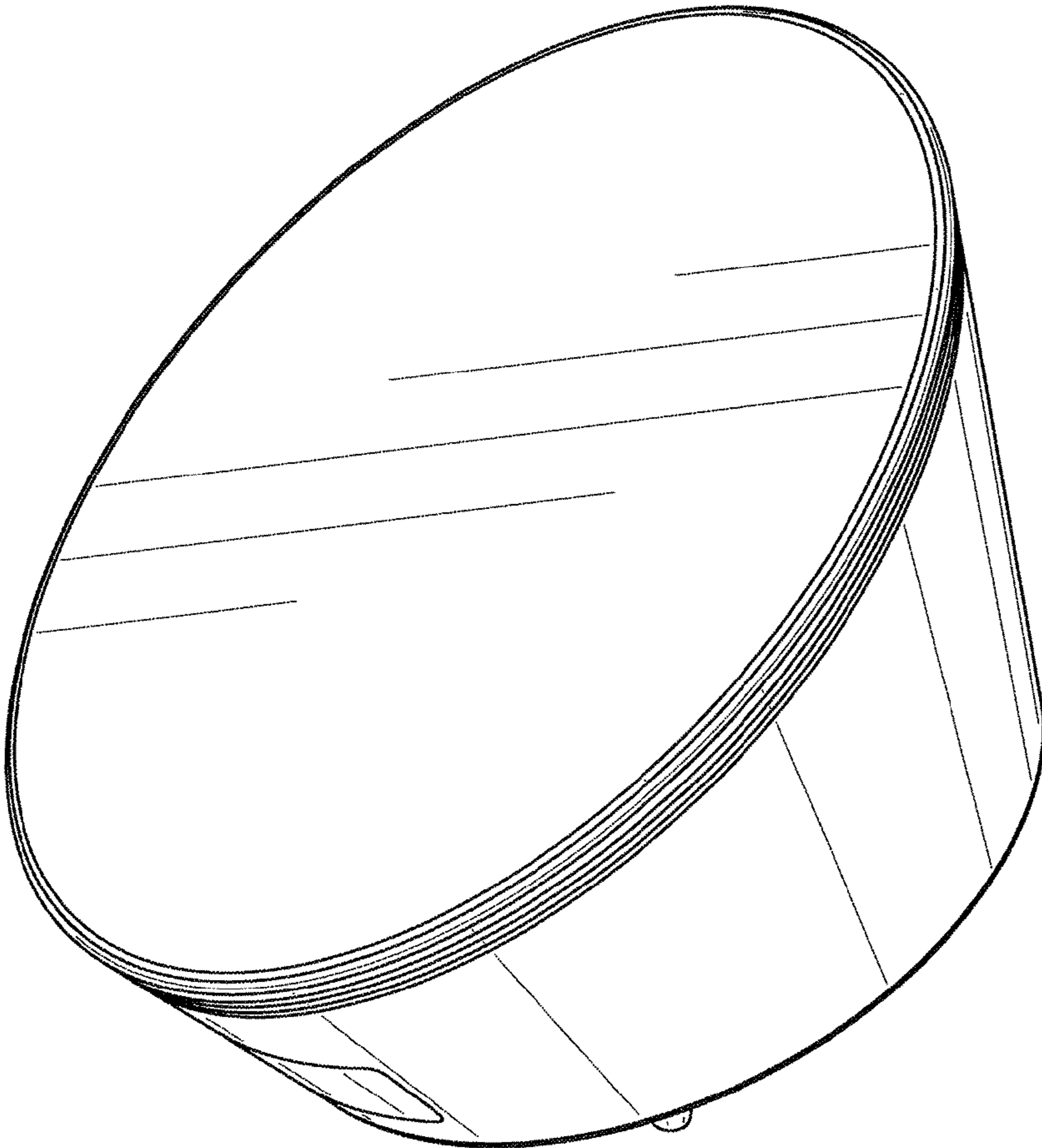


FIG. 1

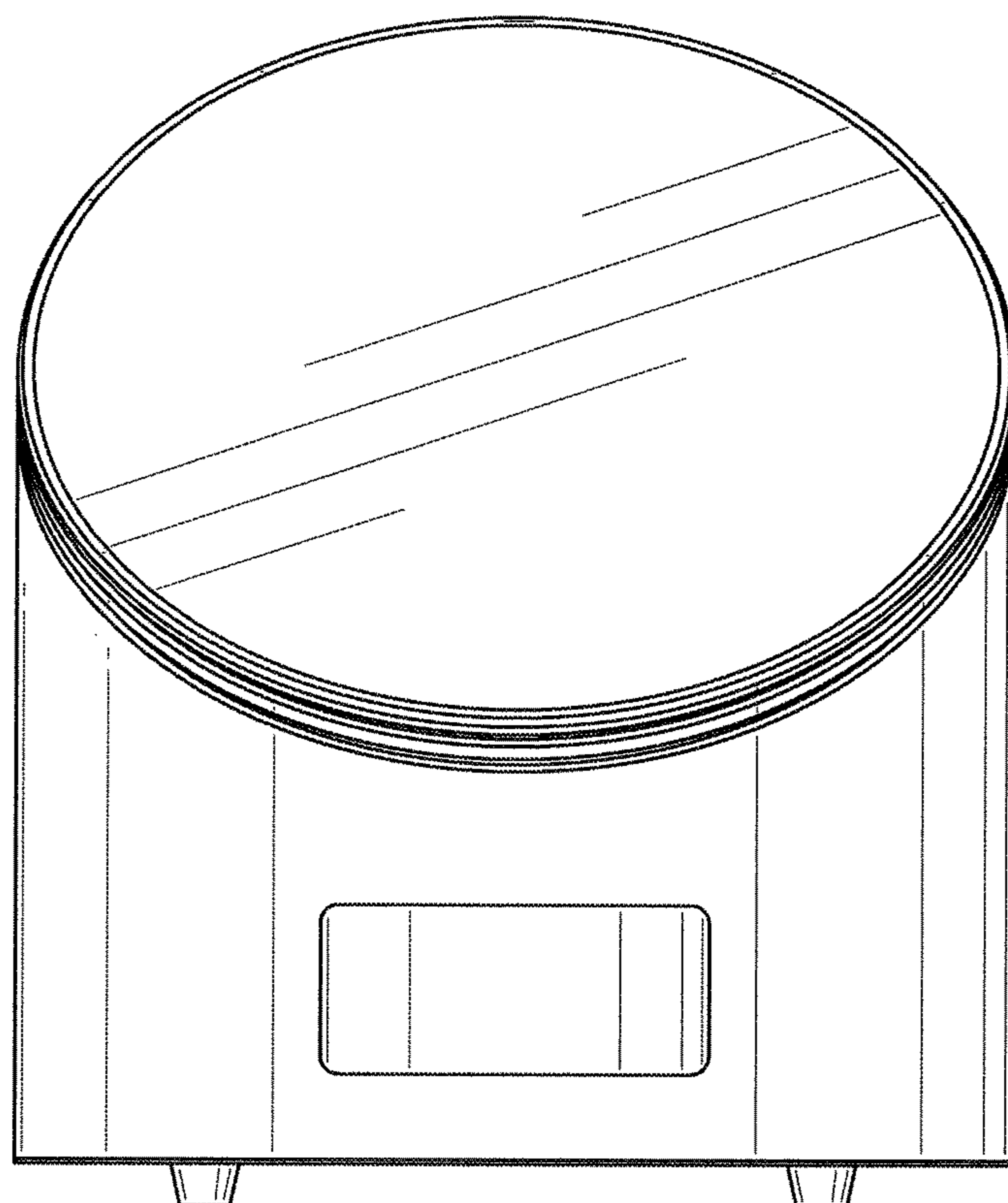


FIG. 2

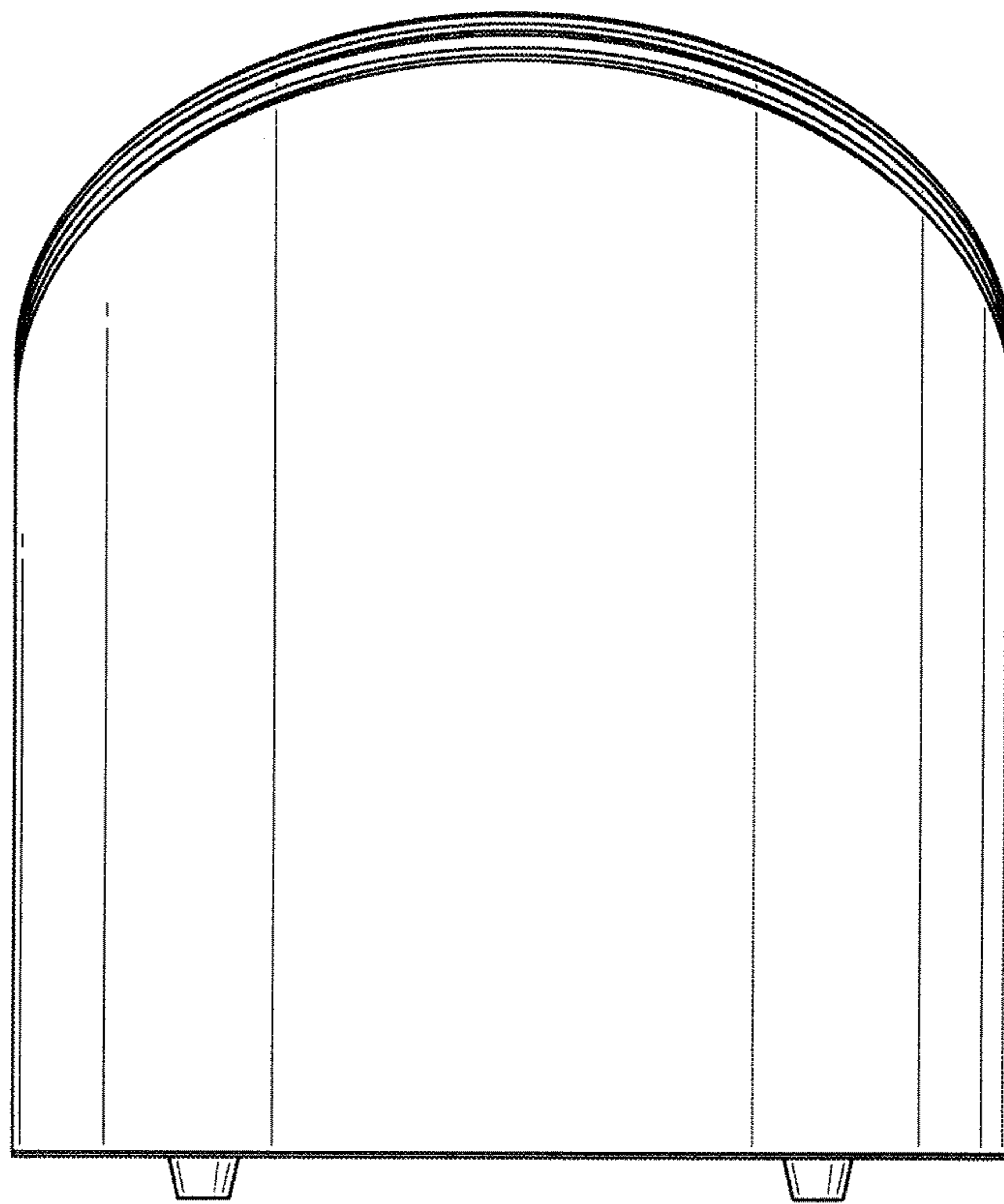


FIG. 3

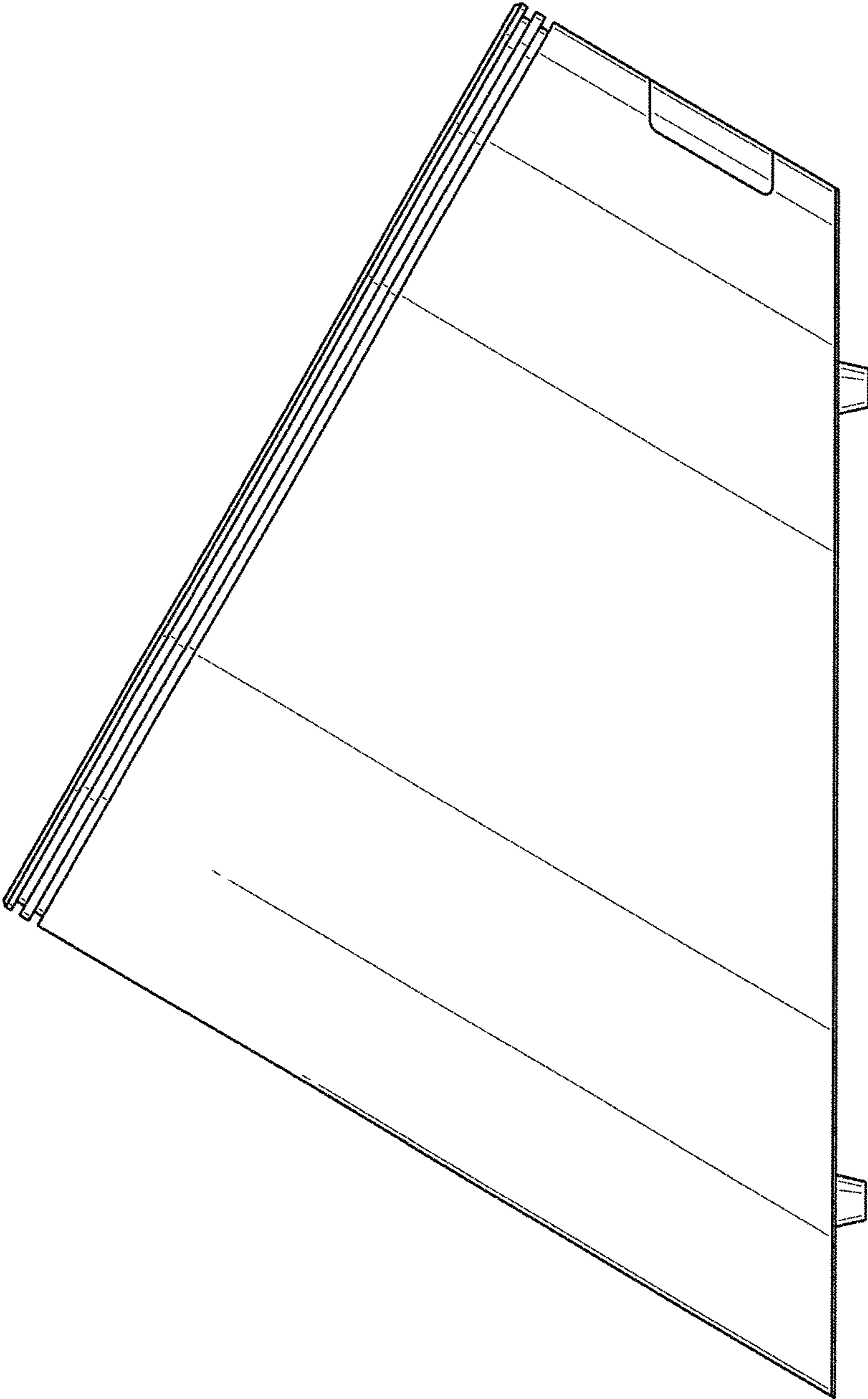


FIG. 4

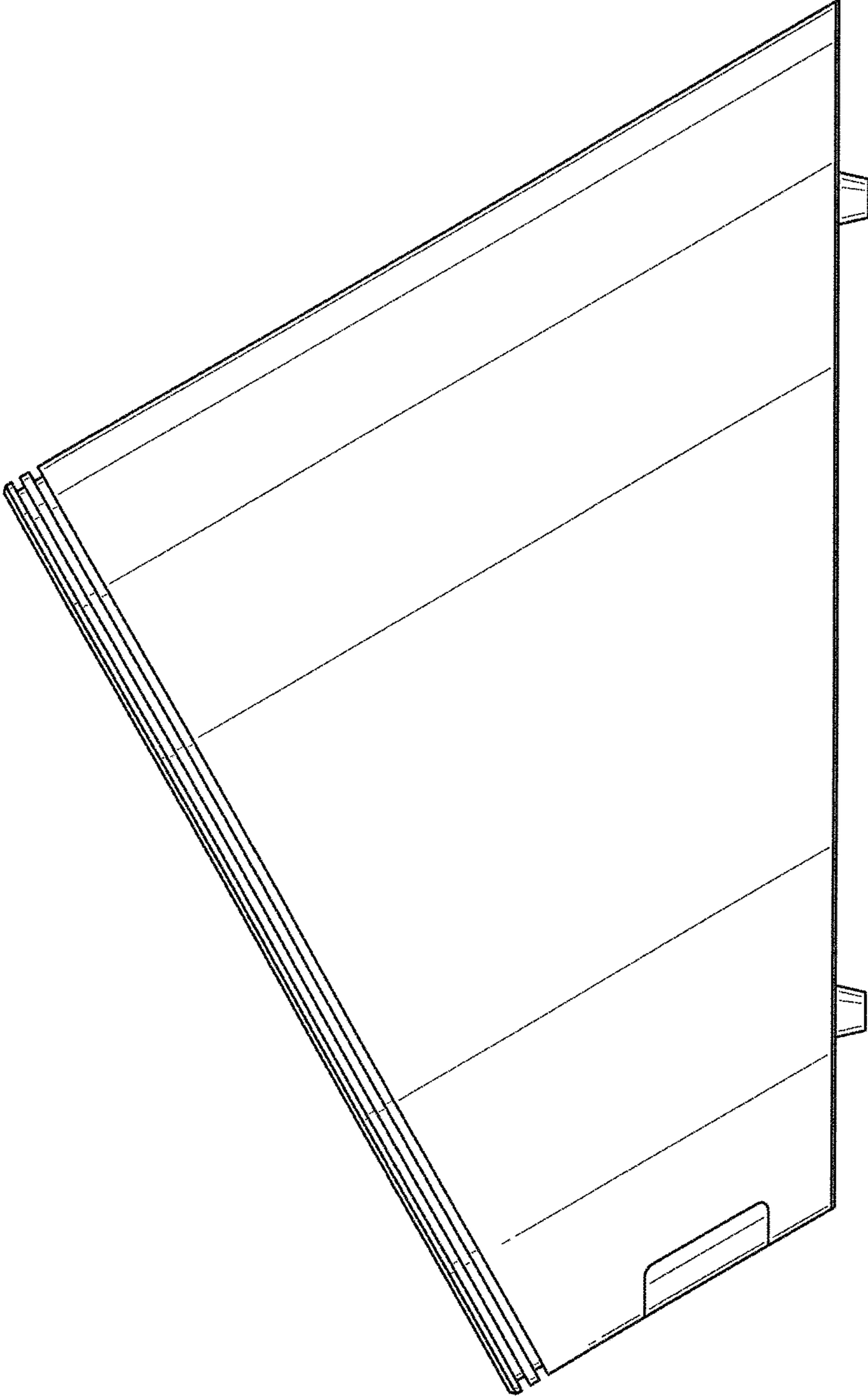


FIG. 5

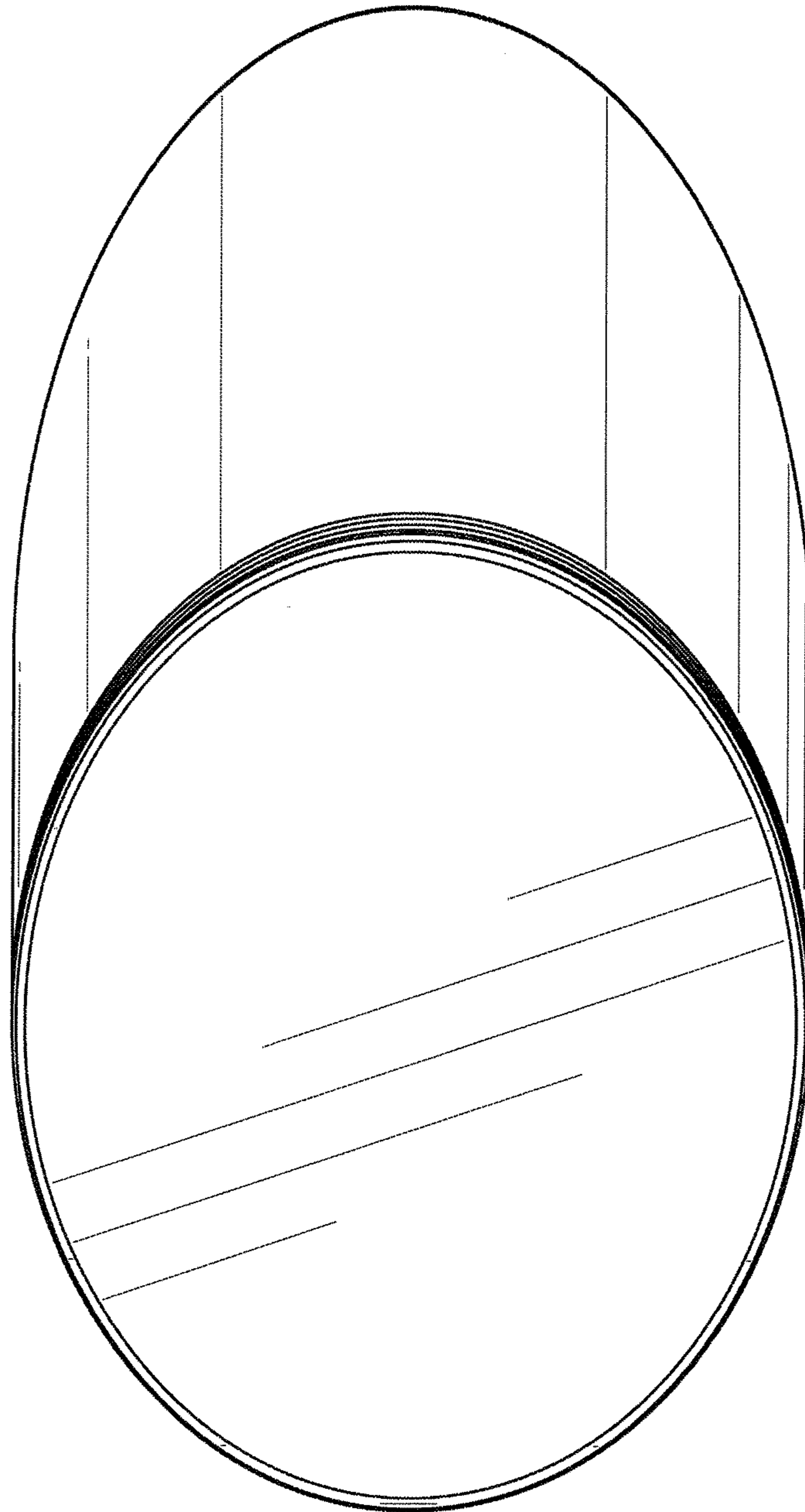


FIG. 6

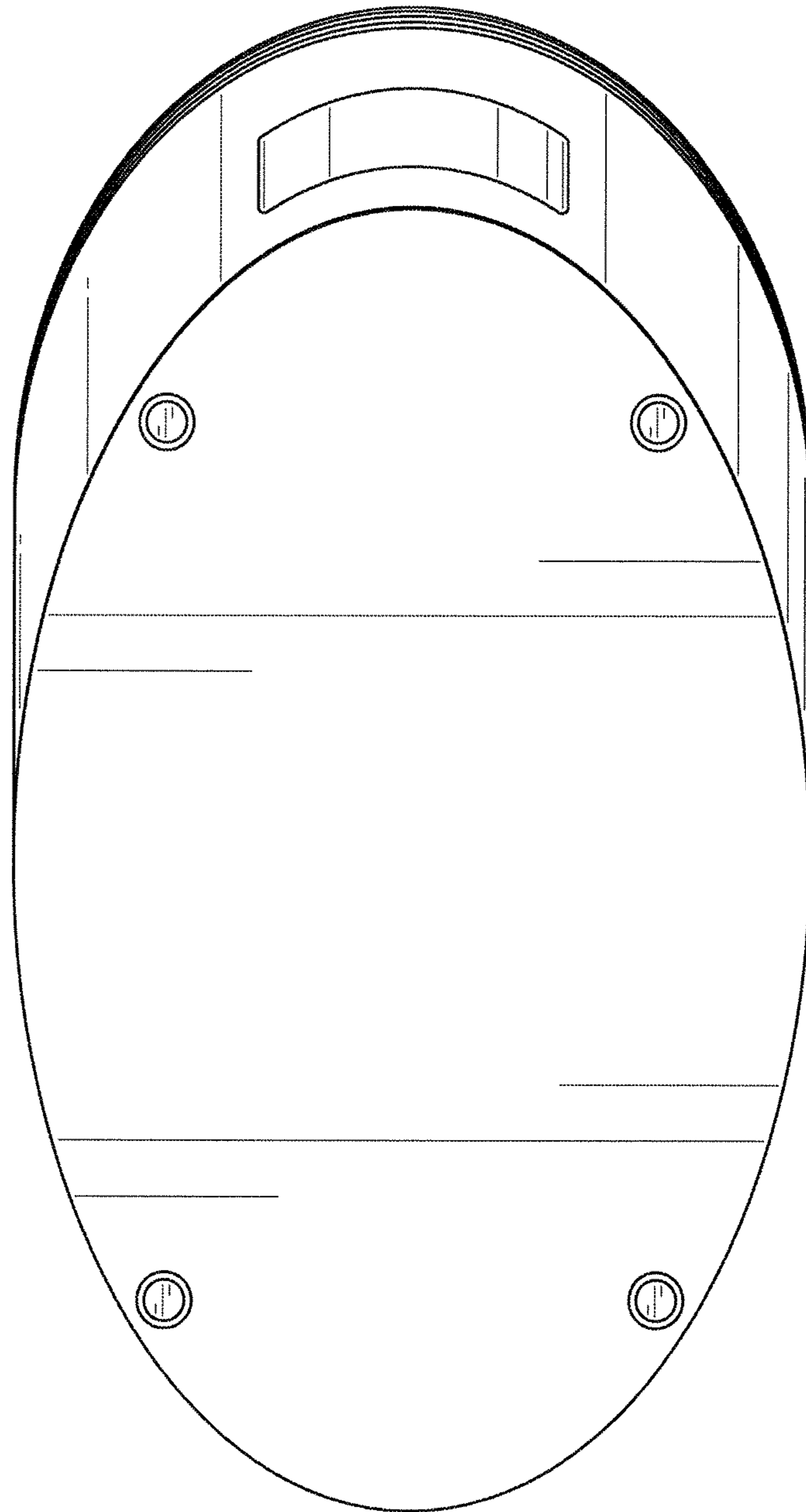


FIG. 7

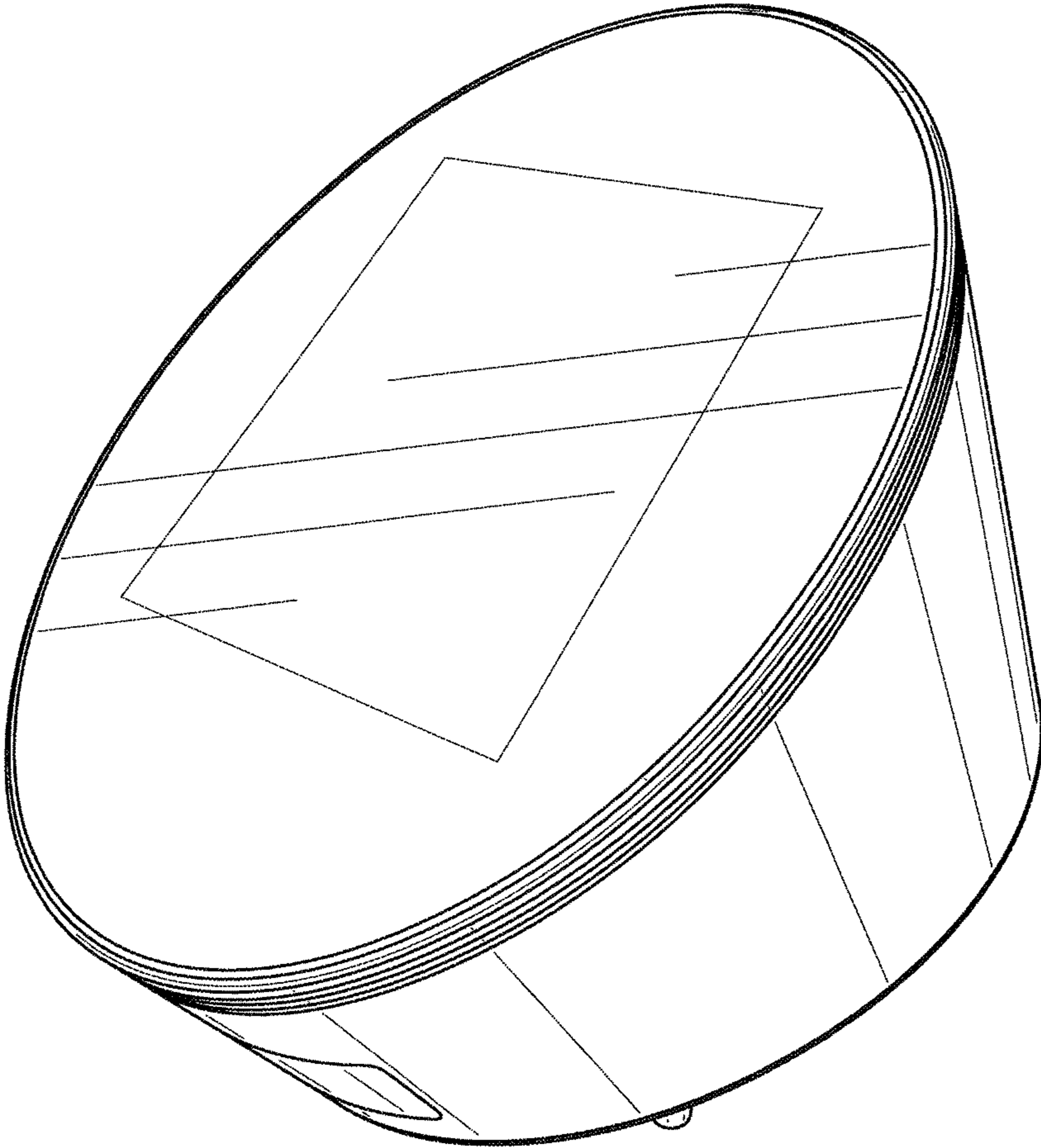


FIG. 8

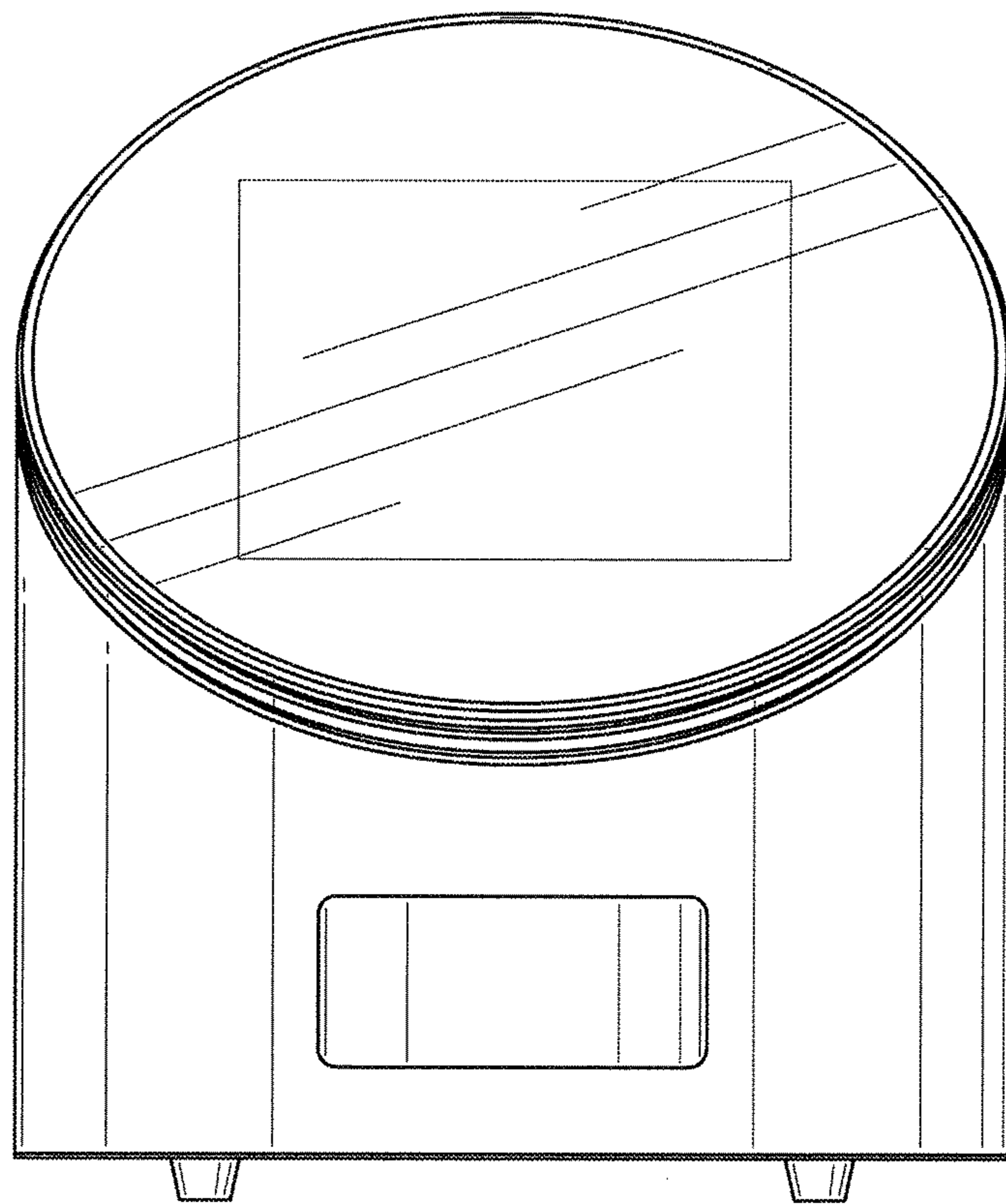


FIG. 9

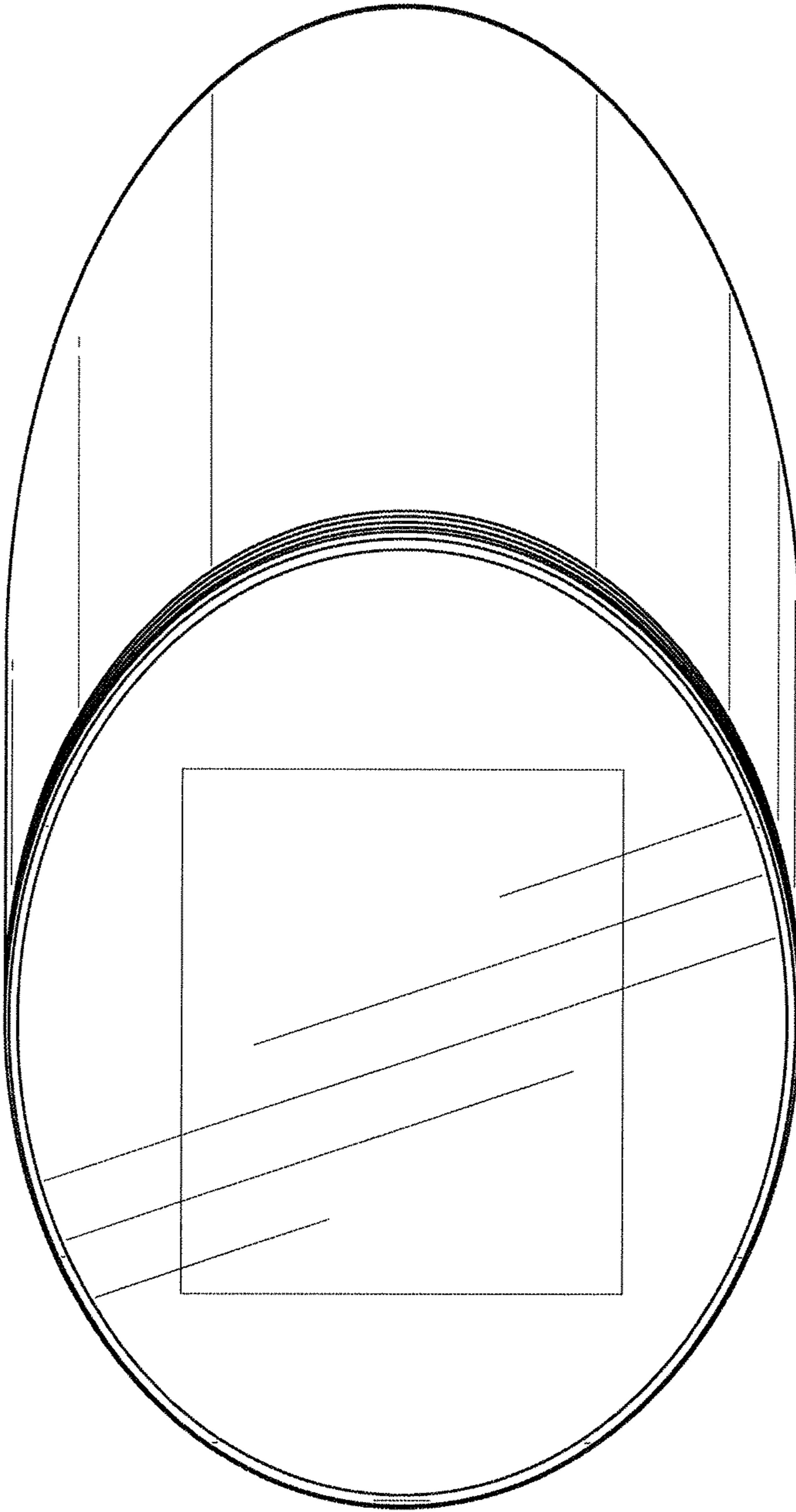


FIG. 10

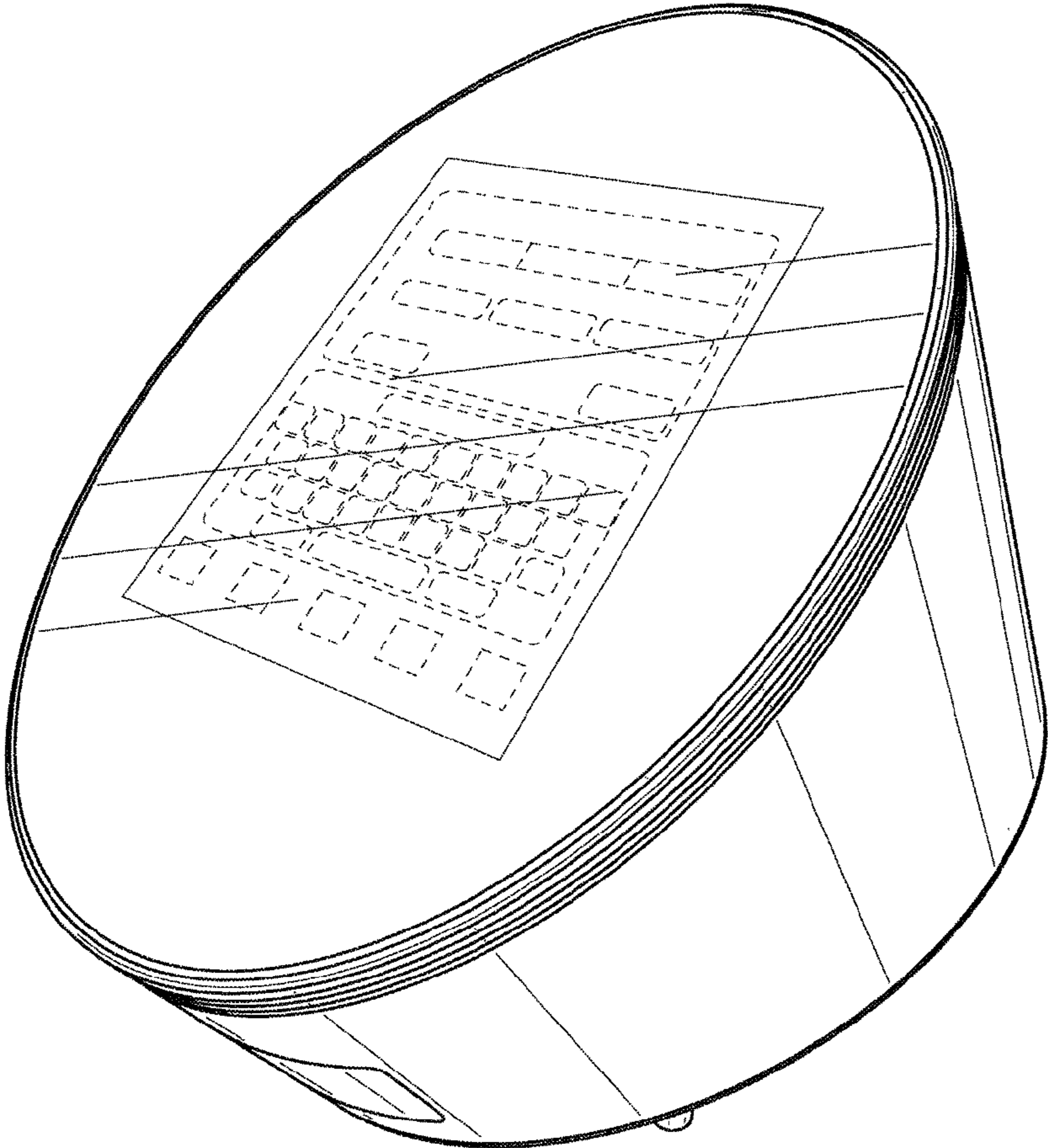


FIG. 11