



US00D725284S

(12) **United States Design Patent**
Karlsson et al.

(10) **Patent No.:** **US D725,284 S**

(45) **Date of Patent:** **** Mar. 24, 2015**

(54) **DETECTION INSTRUMENT**

(71) Applicants: **Mathias Karlsson**, Karlstad (SE);
Annelie Brolinson, Karlstad (SE);
Pekka Niskala, Torshalla (SE)

(72) Inventors: **Mathias Karlsson**, Karlstad (SE);
Annelie Brolinson, Karlstad (SE);
Pekka Niskala, Torshalla (SE)

(73) Assignee: **Hemcheck Sweden Aktiebolag**,
Karlstad (SE)

(**) Term: **14 Years**

(21) Appl. No.: **29/469,535**

(22) Filed: **Oct. 11, 2013**

(30) **Foreign Application Priority Data**

Apr. 11, 2013 (EP) CDR002218172-0001
Sep. 10, 2013 (EP) CDR002306266-0001

(51) **LOC (10) Cl.** **24-01**

(52) **U.S. Cl.**
USPC **D24/216; D24/169**

(58) **Field of Classification Search**
USPC D24/169, 186, 107, 108, 111, 216, 219,
D24/232, 127, 129, 231, 223; 604/27, 29,
604/38; 417/474, 477.2; 435/29, 2; 436/63;
422/400, 405; D10/81

See application file for complete search history.

(56) **References Cited**

U.S. PATENT DOCUMENTS

6,536,278	B1 *	3/2003	Scagliarini	73/431
D488,233	S *	4/2004	Ellsworth et al.	D24/216
D545,448	S *	6/2007	Eriksson et al.	D24/224
D574,507	S *	8/2008	Muir et al.	D24/224
8,114,003	B2 *	2/2012	Green et al.	604/4.01
D659,847	S *	5/2012	Li	D24/216
D695,415	S *	12/2013	Hwang et al.	D24/219
8,846,333	B2 *	9/2014	Karlsson	435/29

* cited by examiner

Primary Examiner — Anhdao Doan

(74) *Attorney, Agent, or Firm* — Jeffrey S. Melcher; Manelli
Selter PLLC

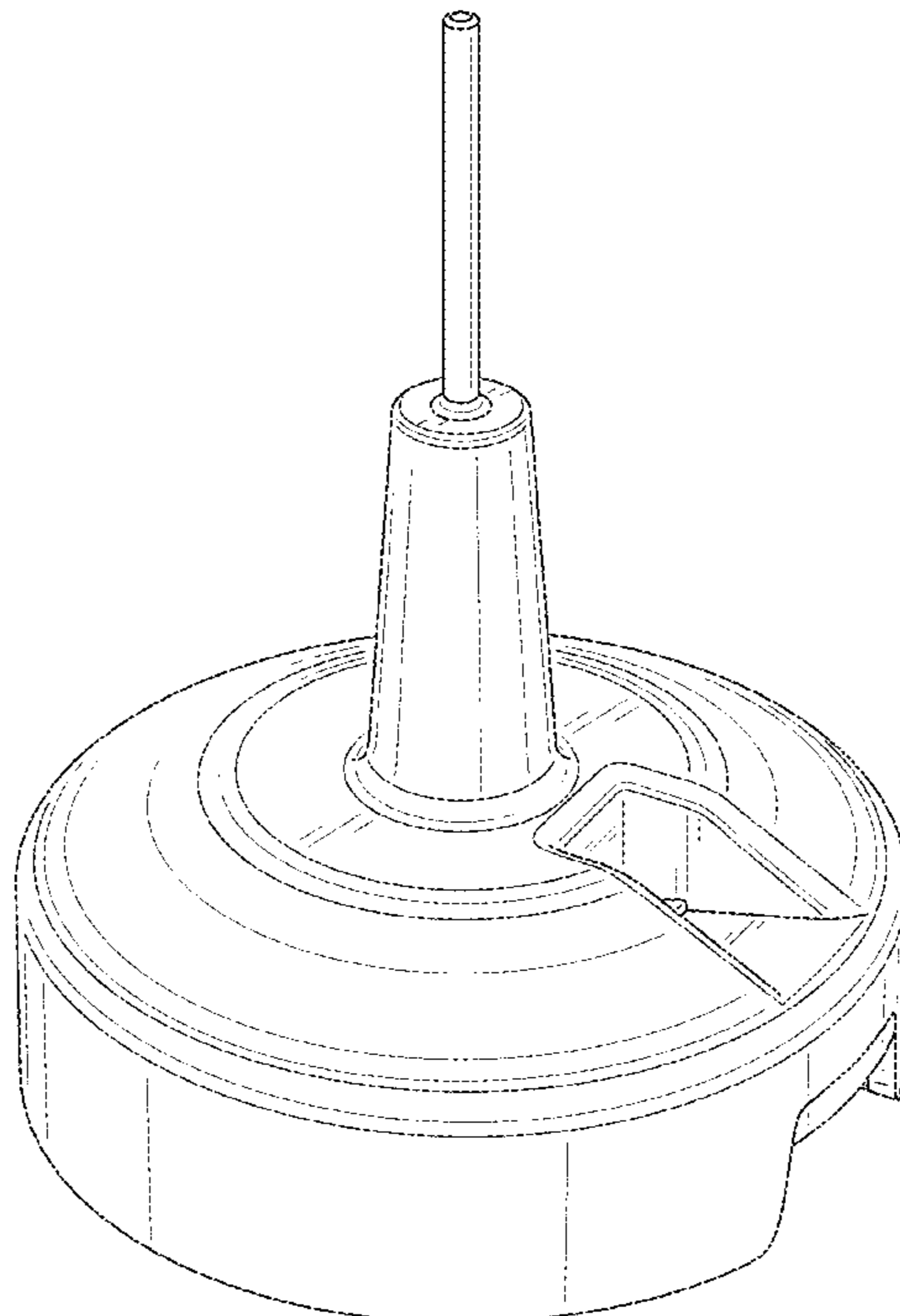
(57) **CLAIM**

The ornamental design for a detection instrument, as shown
and described.

DESCRIPTION

FIG. 1 is a top perspective view of a detection instrument;
FIG. 2 is a left side view thereof;
FIG. 3 is a front view thereof;
FIG. 4 is a rear view thereof;
FIG. 5 is a top view thereof;
FIG. 6 is a bottom view thereof;
FIG. 7 is a bottom perspective view thereof; and,
FIG. 8 is another bottom perspective view thereof.

1 Claim, 8 Drawing Sheets



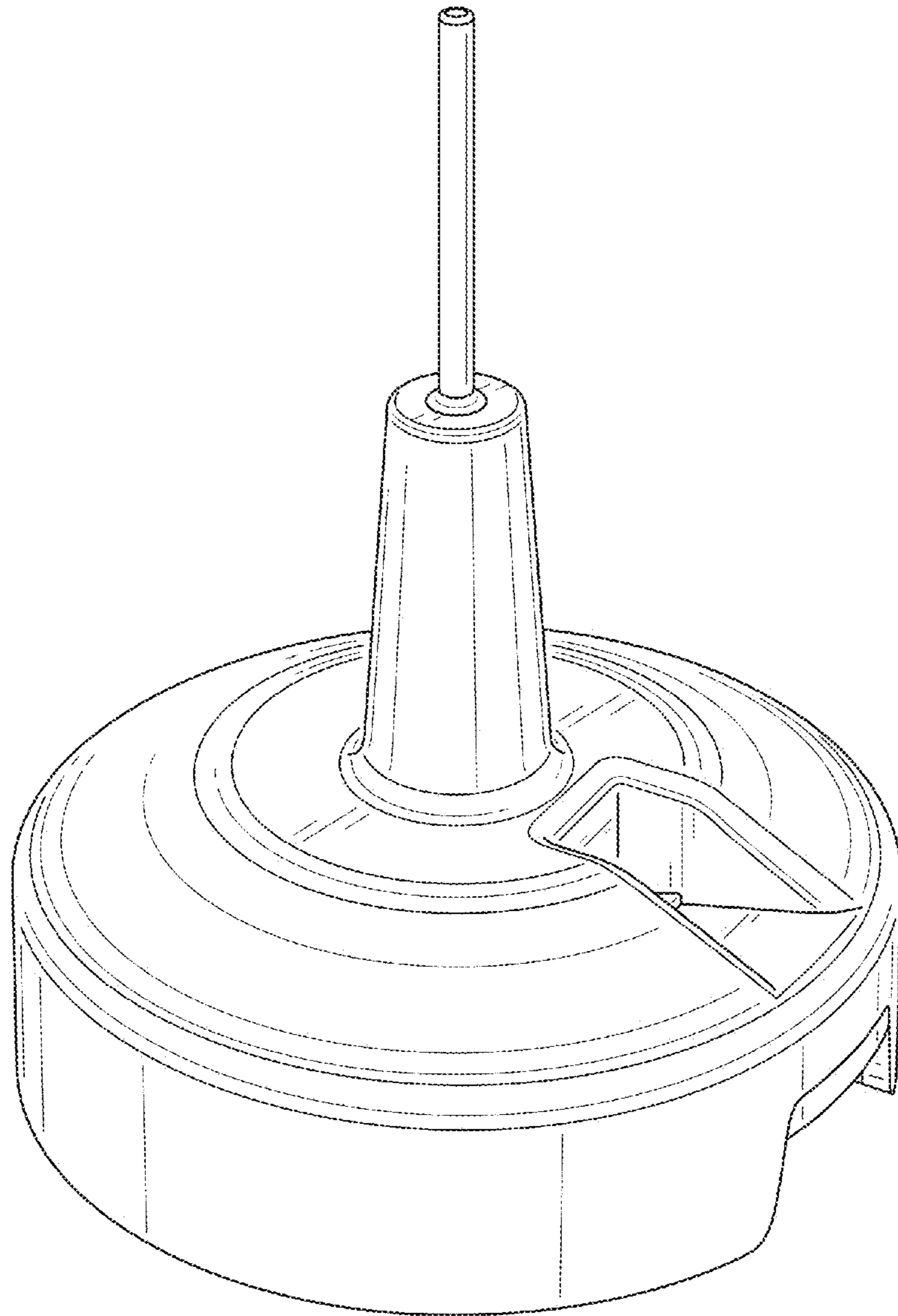


FIG. 1

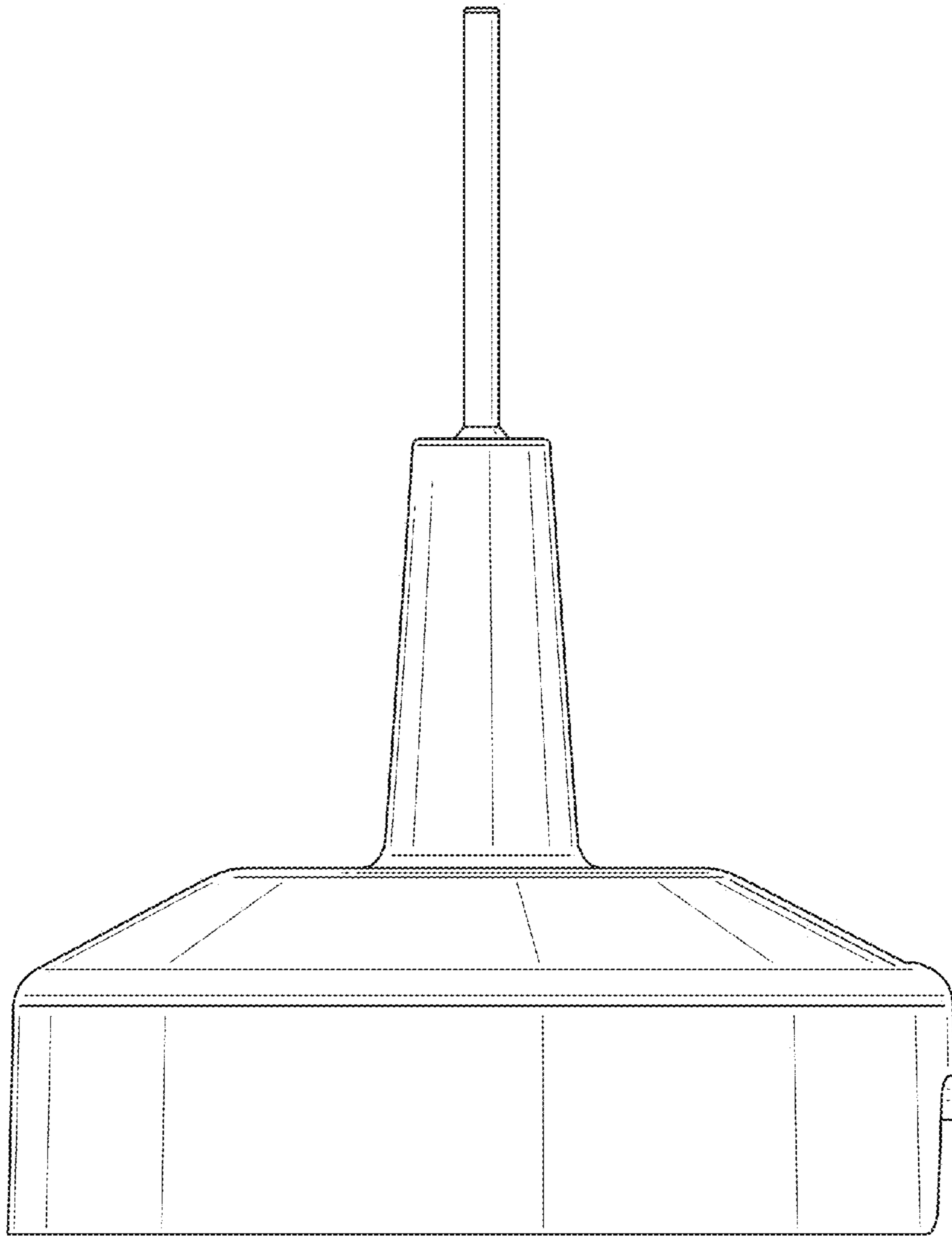


FIG. 2

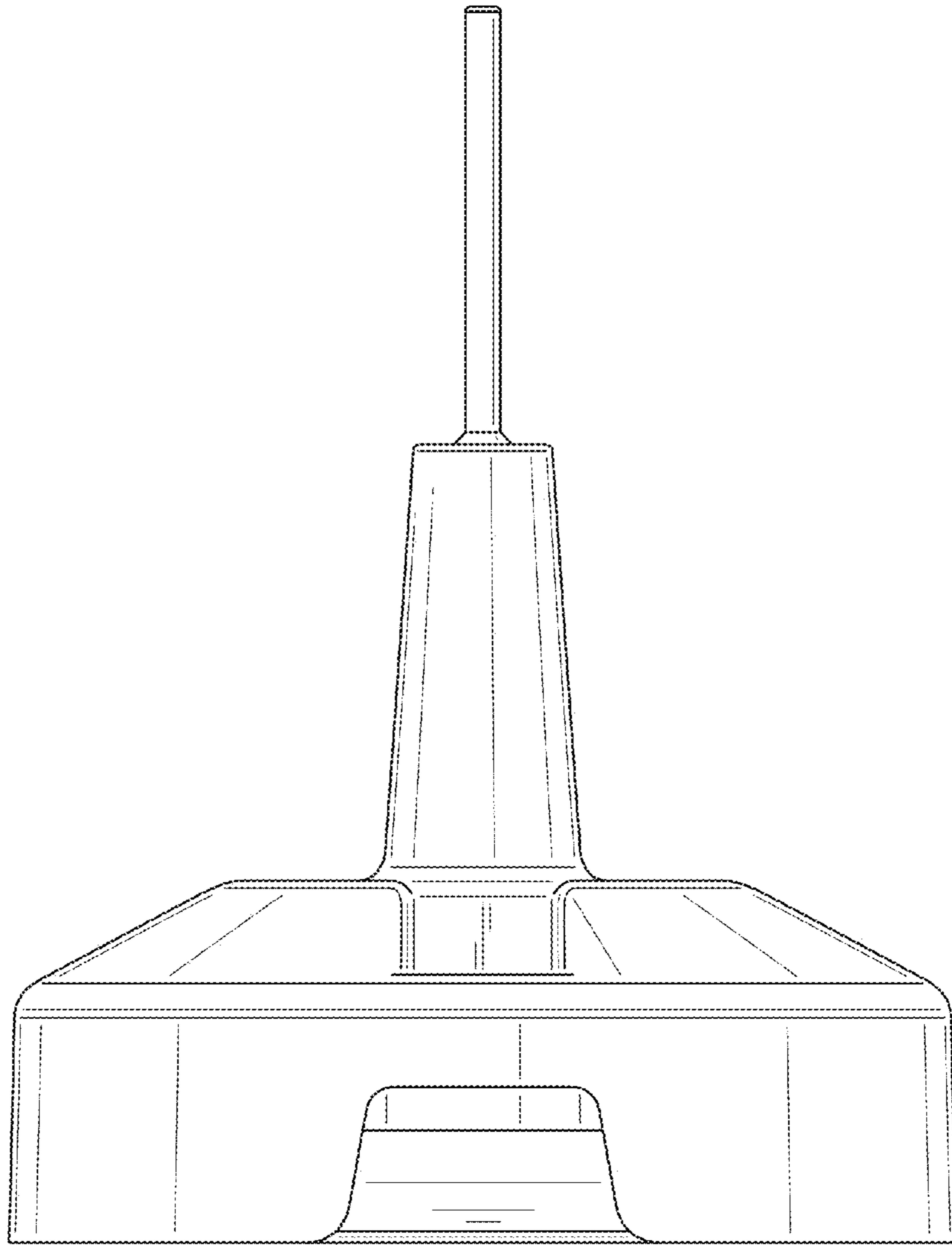


FIG. 3

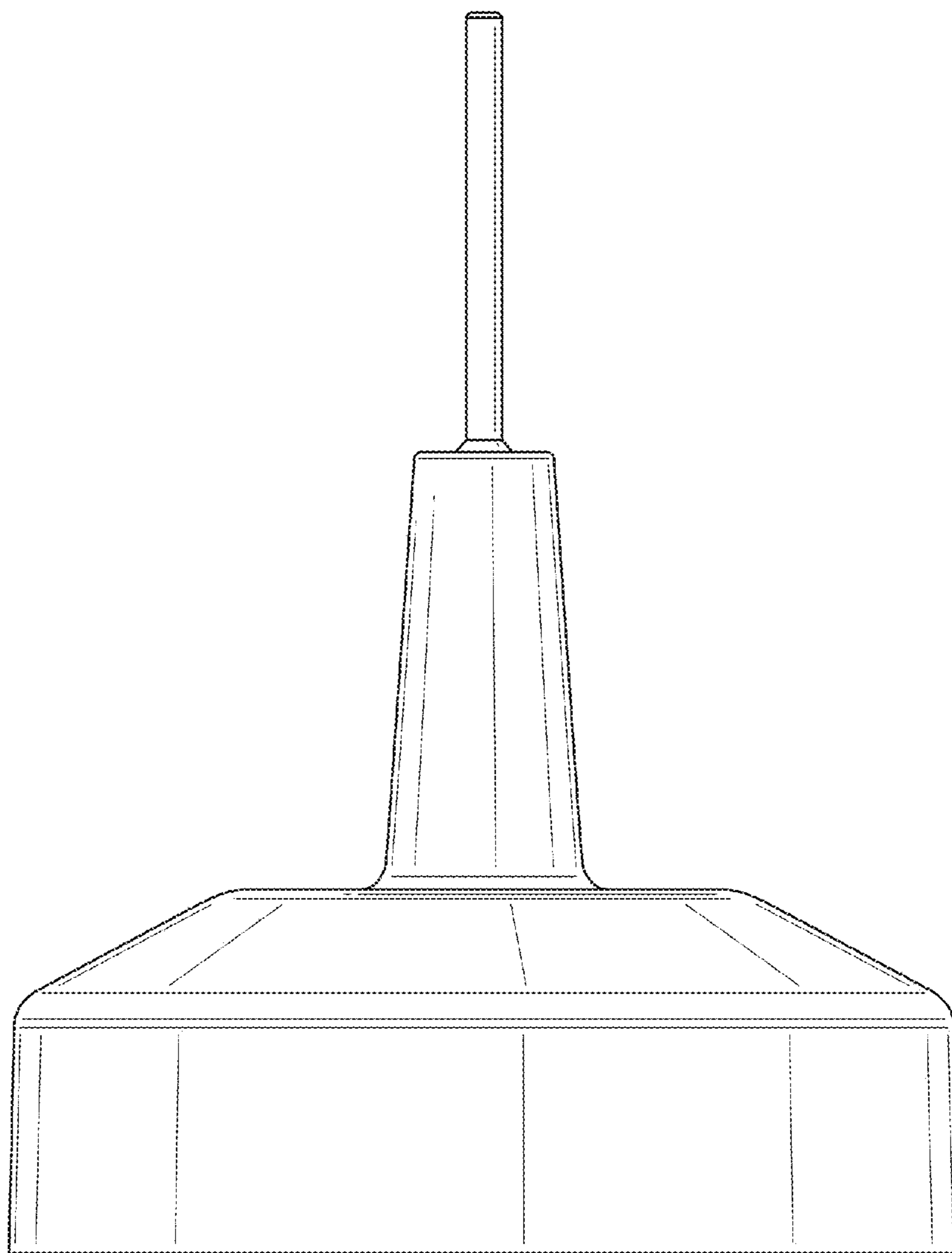


FIG. 4

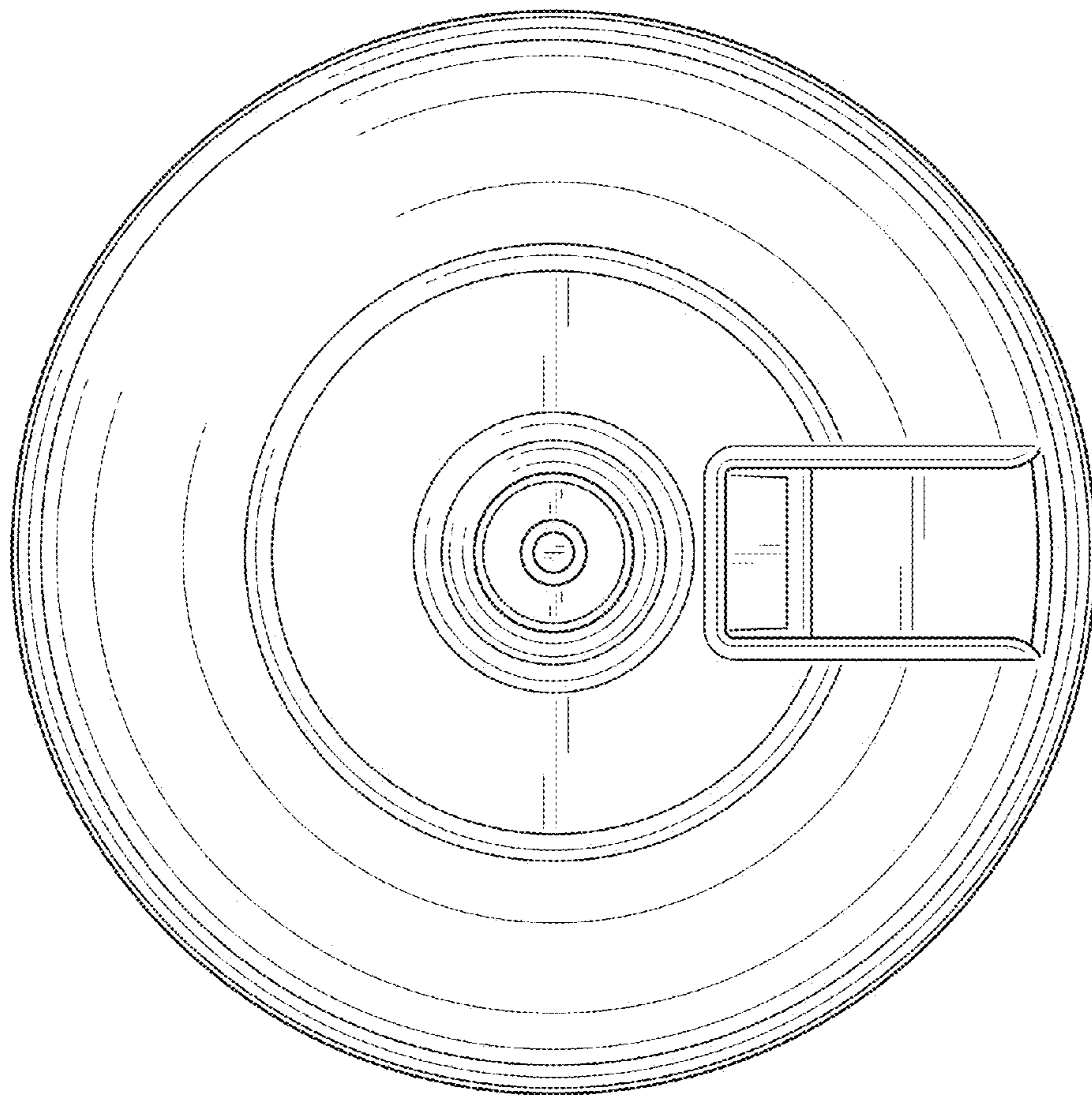


FIG. 5

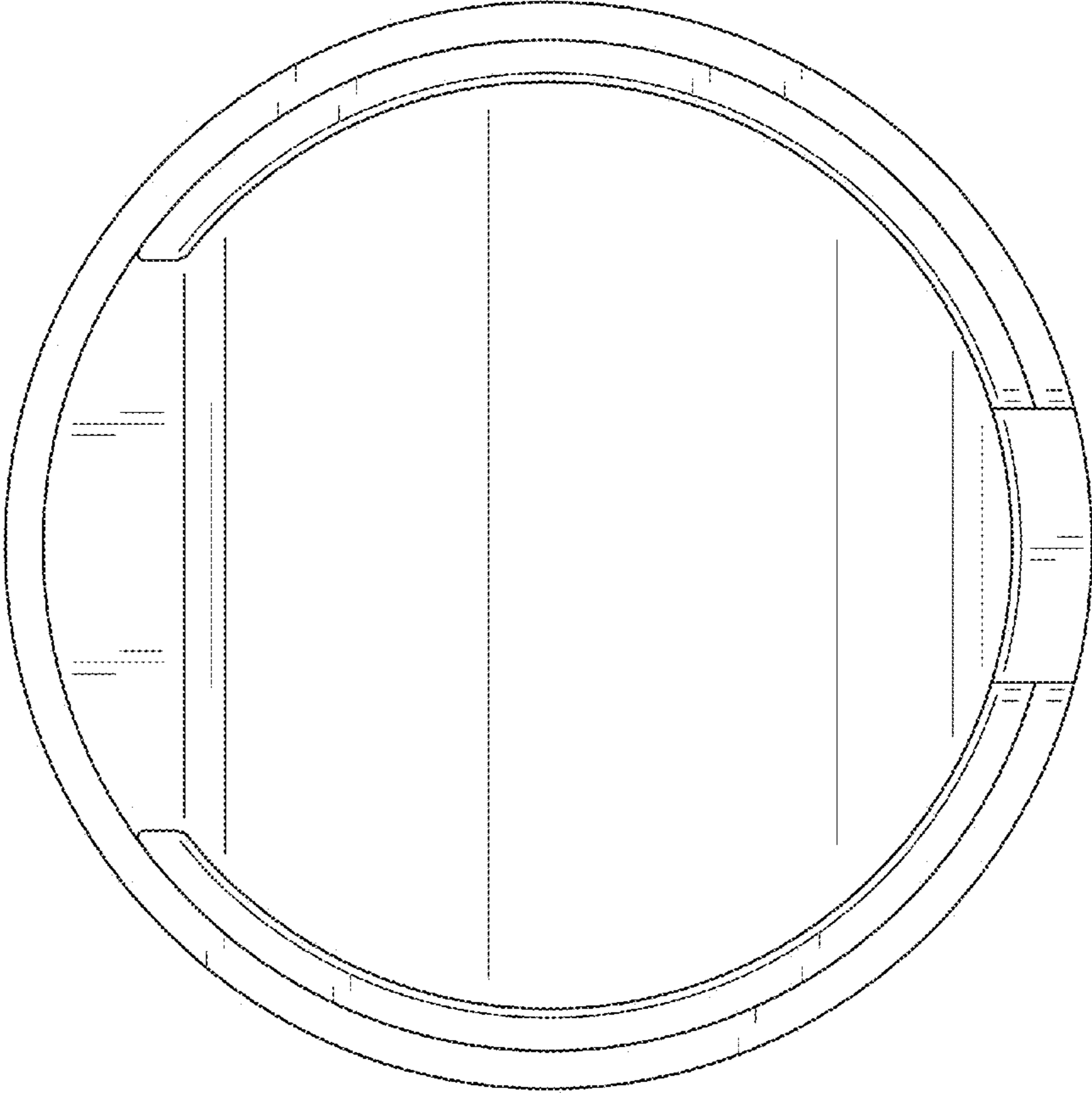


FIG. 6

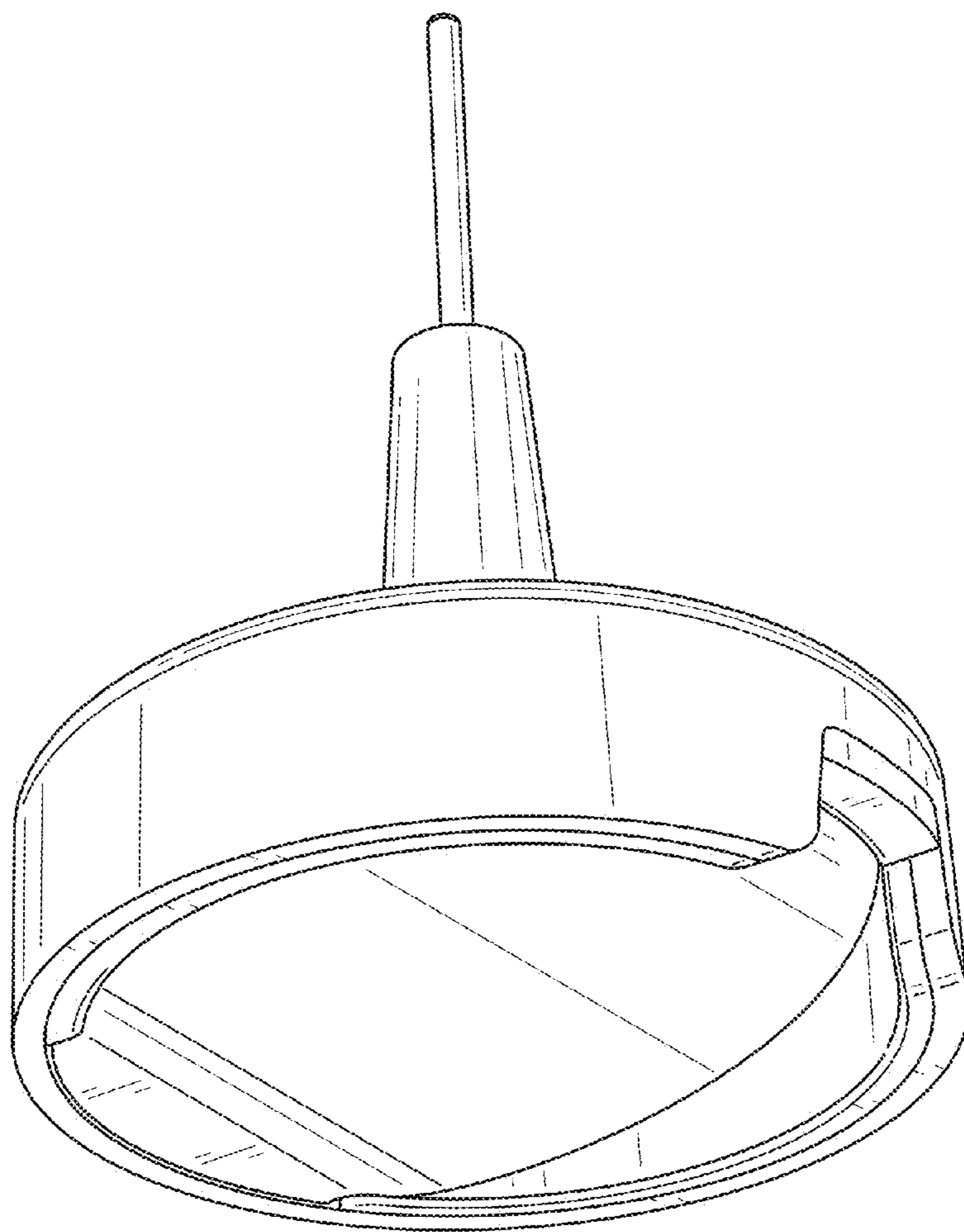


FIG. 7

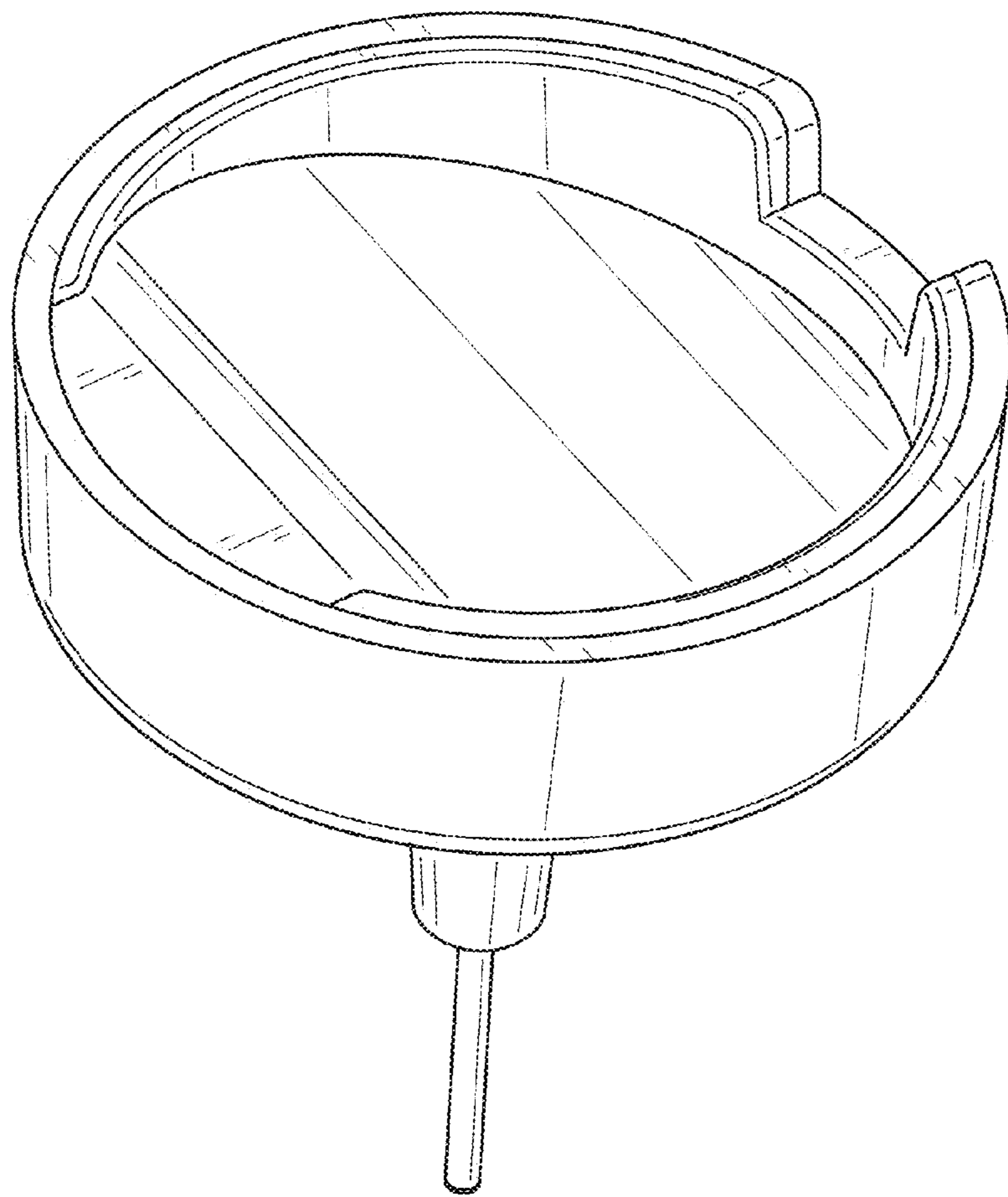


FIG. 8