



US00D725282S

(12) **United States Design Patent**
Lo

(10) **Patent No.:** **US D725,282 S**
(45) **Date of Patent:** **** Mar. 24, 2015**

- (54) **TEAT**
- (71) Applicant: **Fu Hong Industries Limited**, Hong Kong (HK)
- (72) Inventor: **Fu Man Herman Lo**, Hong Kong (HK)
- (73) Assignee: **Fu Hong Industries Limited**, Hong Kong (HK)
- (**) Term: **14 Years**
- (21) Appl. No.: **29/471,612**
- (22) Filed: **Nov. 4, 2013**
- (51) **LOC (10) Cl.** **24-04**
- (52) **U.S. Cl.**
USPC **D24/194**
- (58) **Field of Classification Search**
CPC A61J 11/001; A61J 11/0035
USPC D24/197, 198, 199, 194, 193, 196, 195;
215/11.1, 11.2, 11.3, 11.4, 11.5, 11.6
See application file for complete search history.

(56) **References Cited**

U.S. PATENT DOCUMENTS

D444,239 S *	6/2001	Kobayashi et al.	D24/196
D463,567 S *	9/2002	Morano	D24/196
D486,579 S *	2/2004	Dunn	D24/196
D488,560 S *	4/2004	Renz et al.	D24/196
D547,874 S *	7/2007	Horie et al.	D24/194
D599,028 S *	8/2009	Schofield	D24/196
D602,596 S *	10/2009	Yamashita	D24/196
D637,300 S *	5/2011	Yamashita et al.	D24/196
D681,216 S *	4/2013	Smith	D24/196
D684,267 S *	6/2013	Smith	D24/196

2012/0267334 A1* 10/2012 Yamashita et al. 215/11.5
* cited by examiner

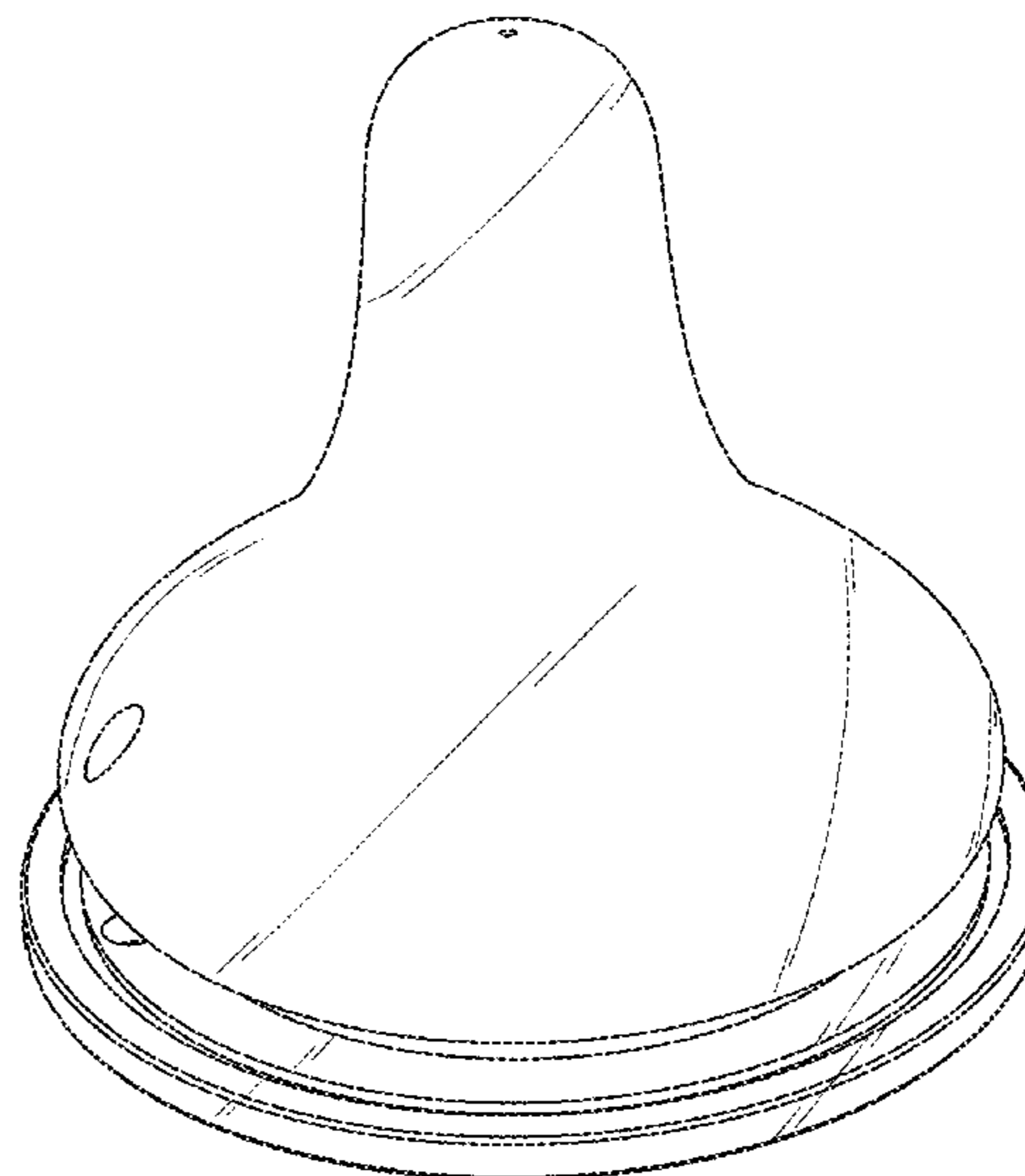
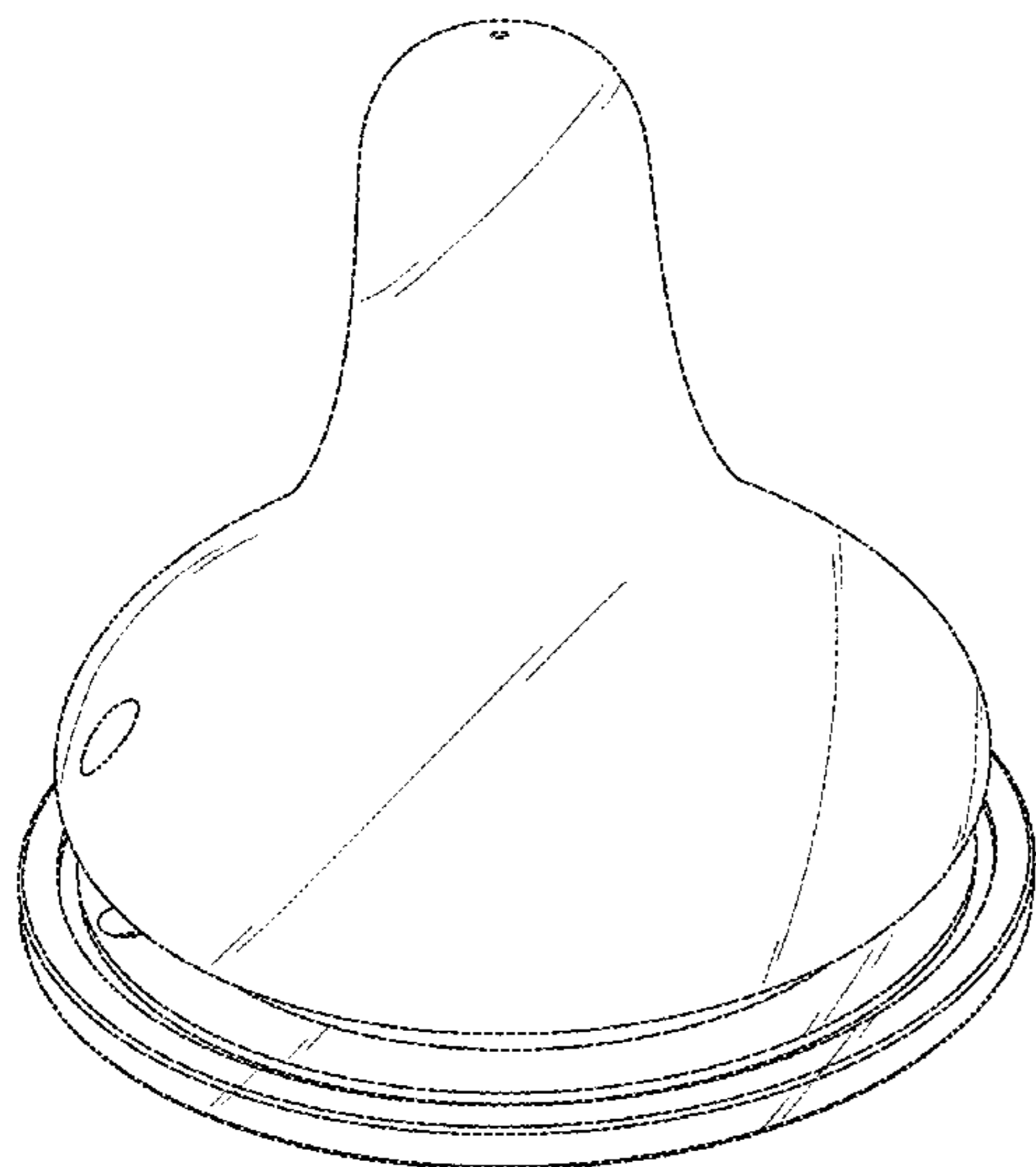
Primary Examiner — George D Kirschbaum
Assistant Examiner — Kendra L Hamilton

(57) **CLAIM**
The ornamental design for a teat, as shown and described.

DESCRIPTION

FIG. 1 is a perspective view of a teat according to a first embodiment of my new design;
 FIG. 2 is a front elevation view thereof;
 FIG. 3 is a rear elevation view thereof;
 FIG. 4 is a right side view thereof;
 FIG. 5 is a left side view thereof;
 FIG. 6 is a sectional view taken along the line 6-6' of FIG. 4;
 FIG. 7 is a bottom plan view thereof;
 FIG. 8 is a top plan view thereof;
 FIG. 9 is a perspective view of a teat according to a second embodiment of my new design;
 FIG. 10 is a front elevation view of the teat according to the second embodiment of my new design;
 FIG. 11 is a rear elevation view of the teat according to the second embodiment of my new design;
 FIG. 12 is a right side view of the teat according to the second embodiment of my new design;
 FIG. 13 is a left side view of the teat according to the second embodiment of my new design;
 FIG. 14 is a sectional view taken along the line 14-14' of FIG. 12;
 FIG. 15 is a bottom plan view of the teat according to the second embodiment of my new design; and,
 FIG. 16 is a top plan view of a teat according to the second embodiment of my new design.

1 Claim, 16 Drawing Sheets



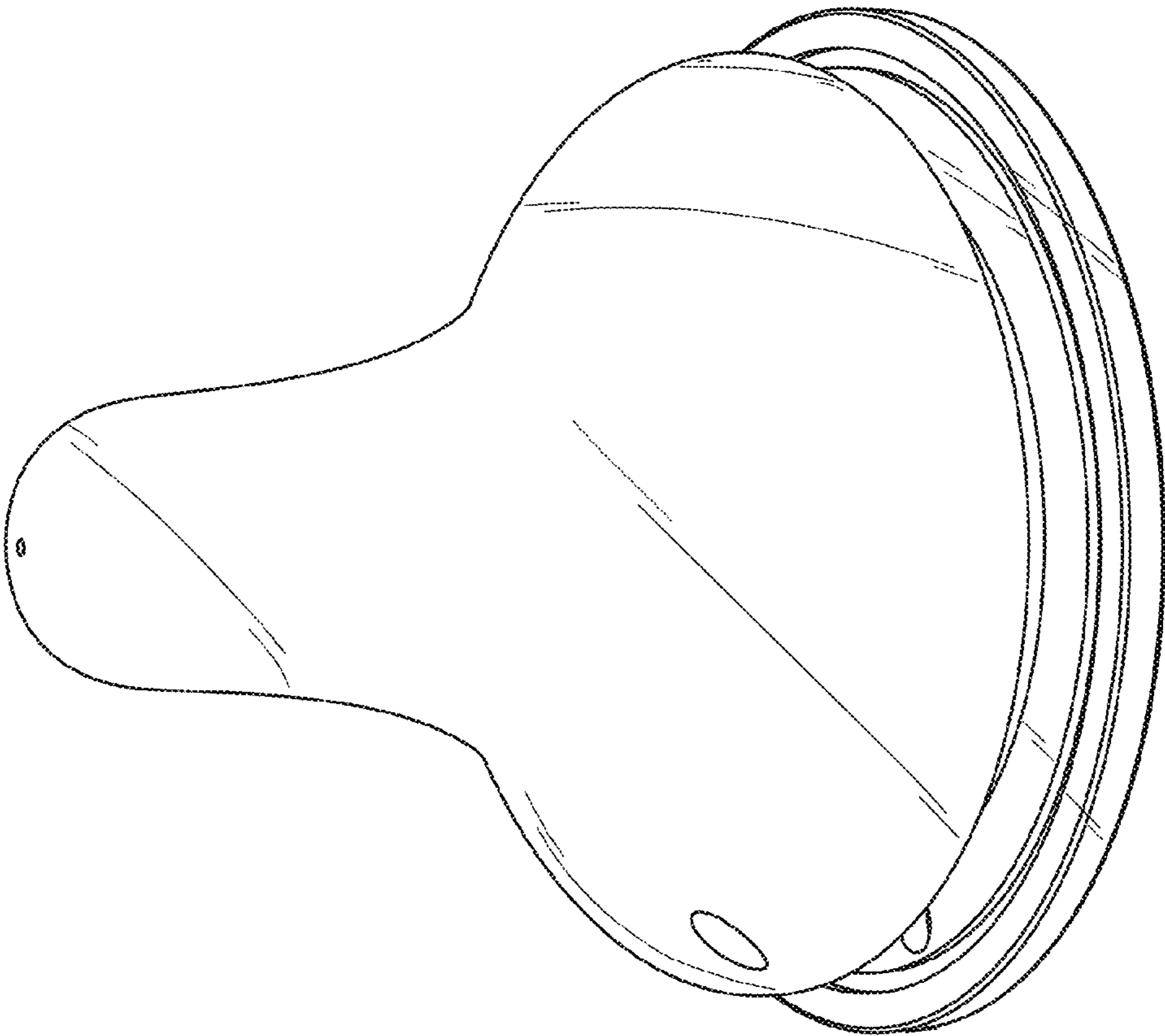


FIG. 1

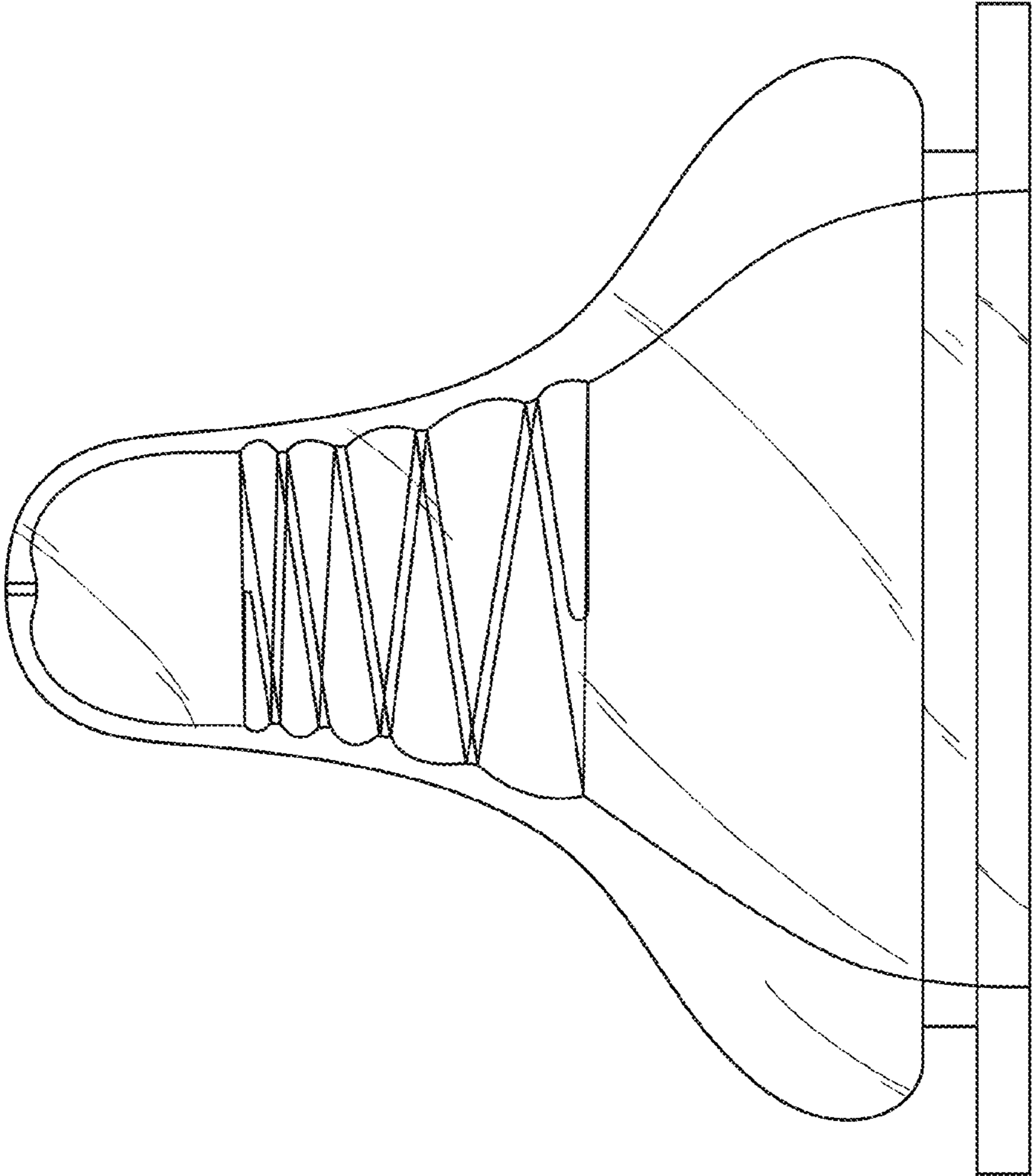


FIG. 2

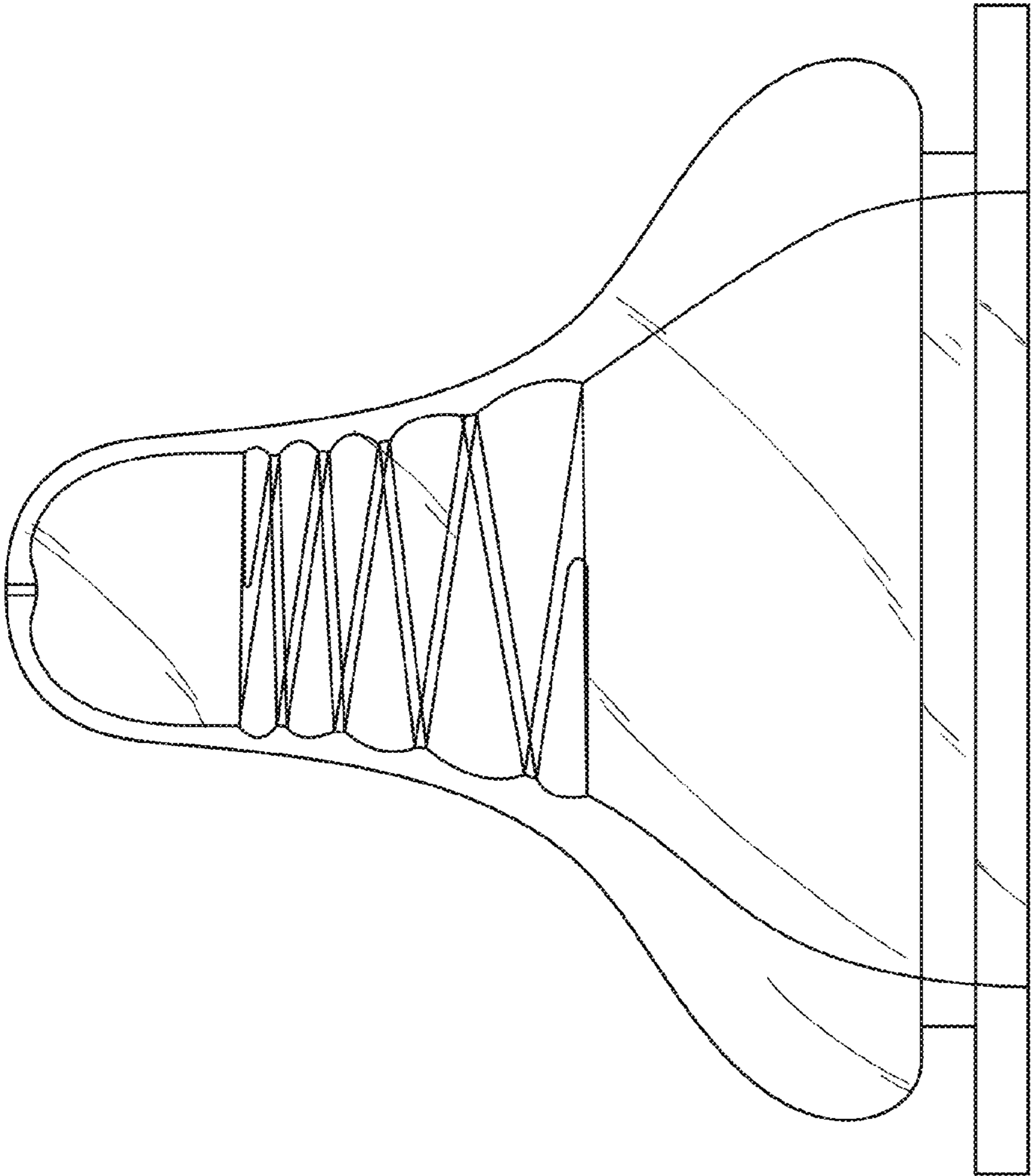


FIG. 3

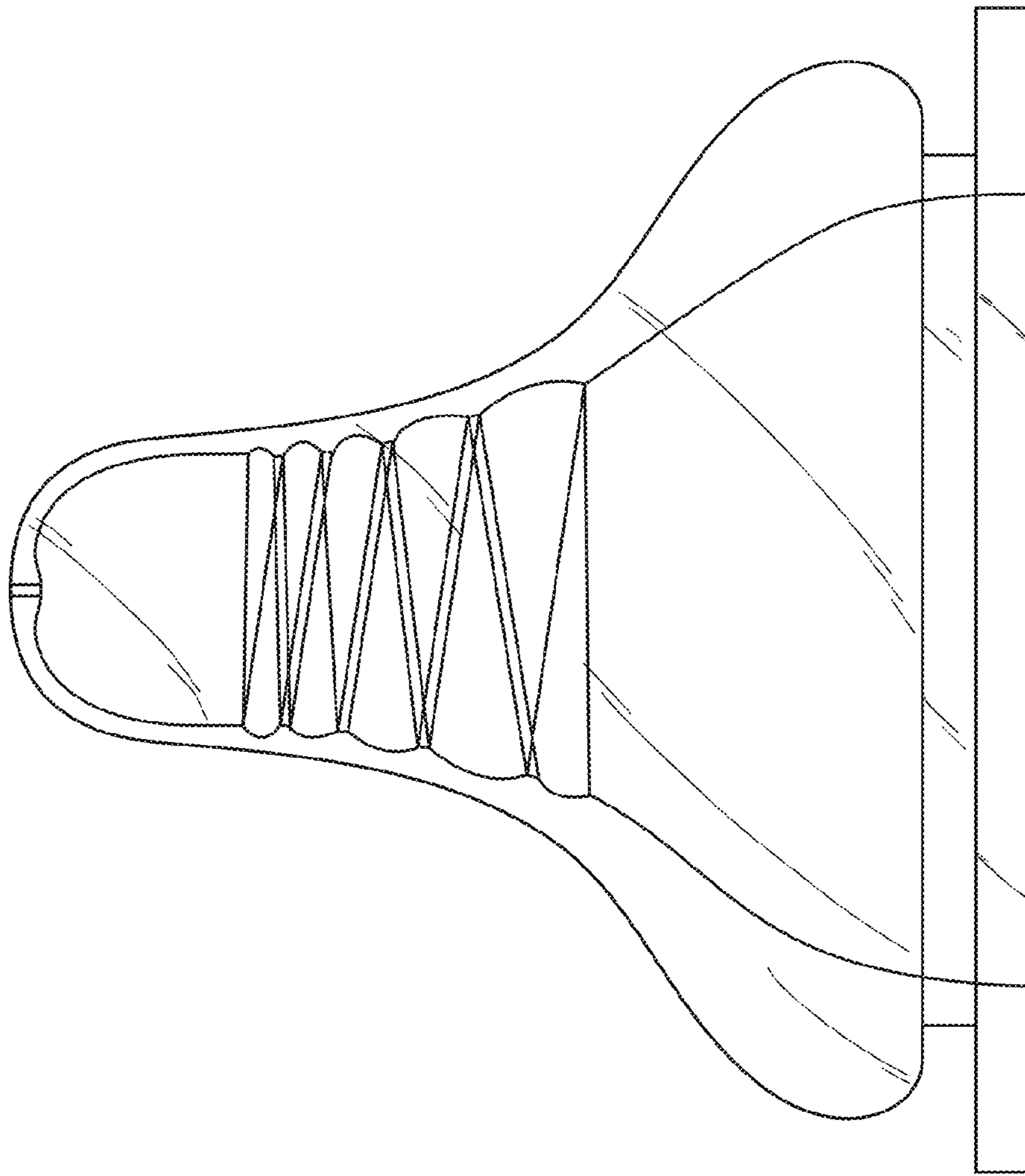


FIG. 4

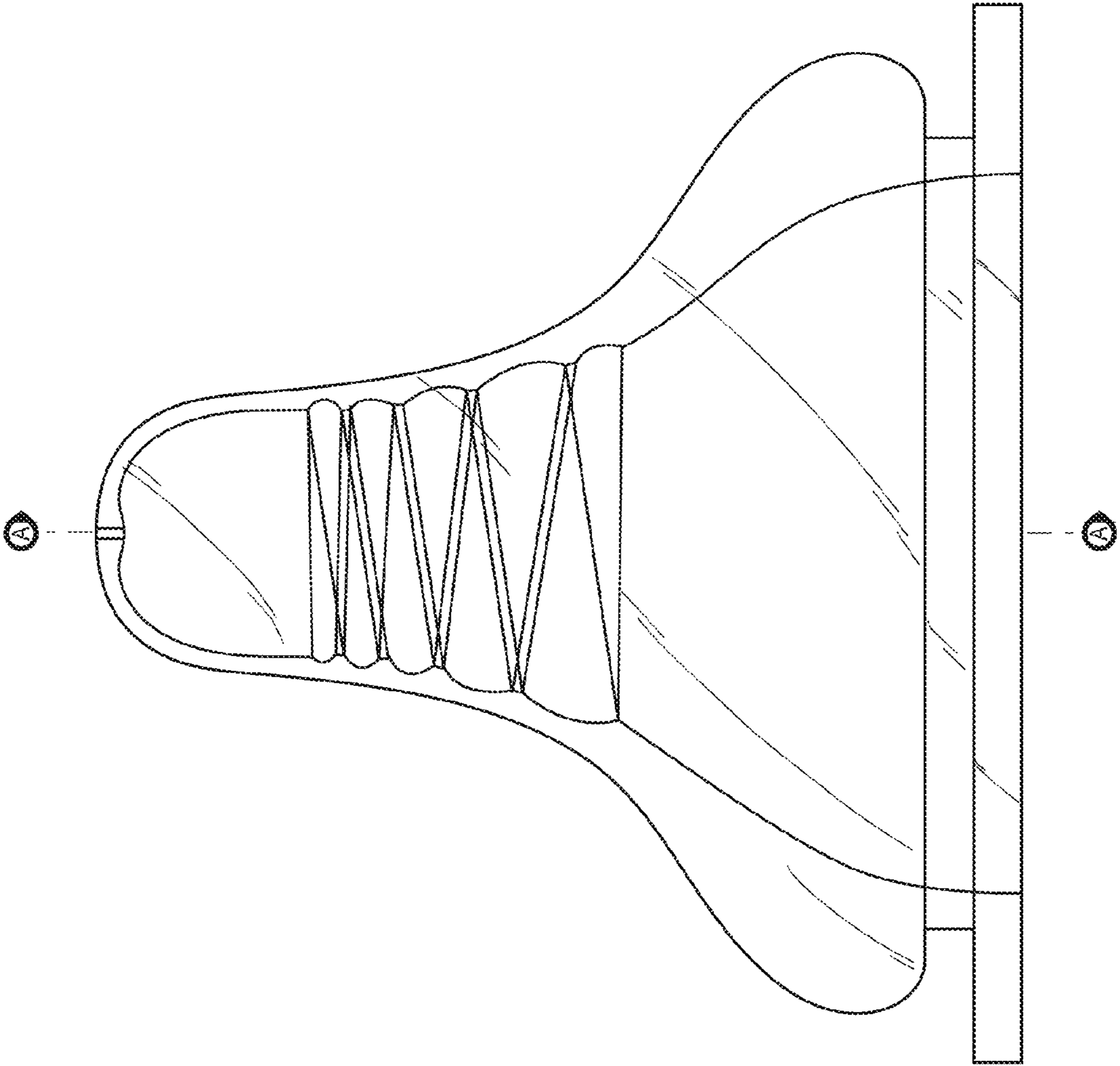


FIG. 5

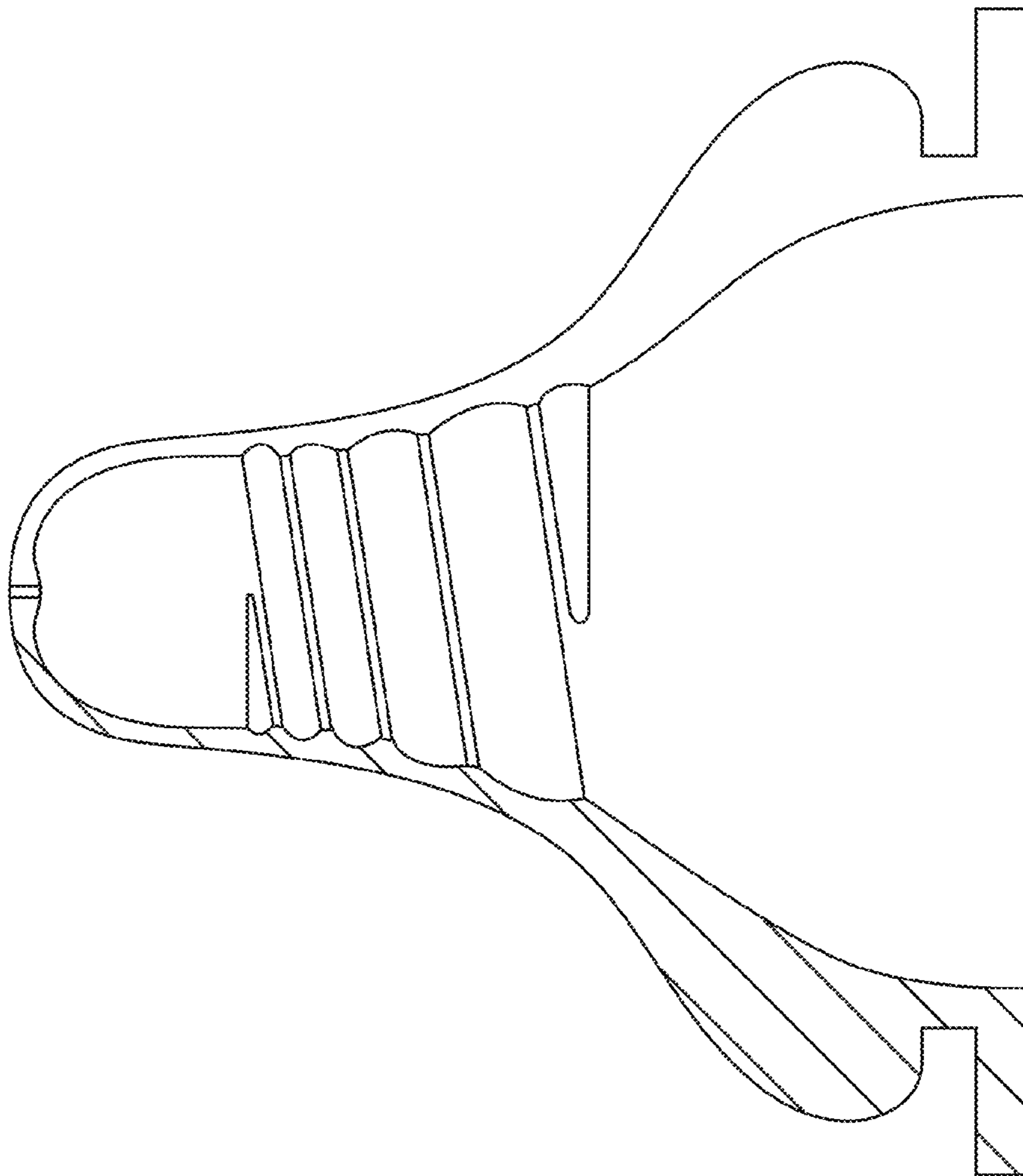


FIG. 6

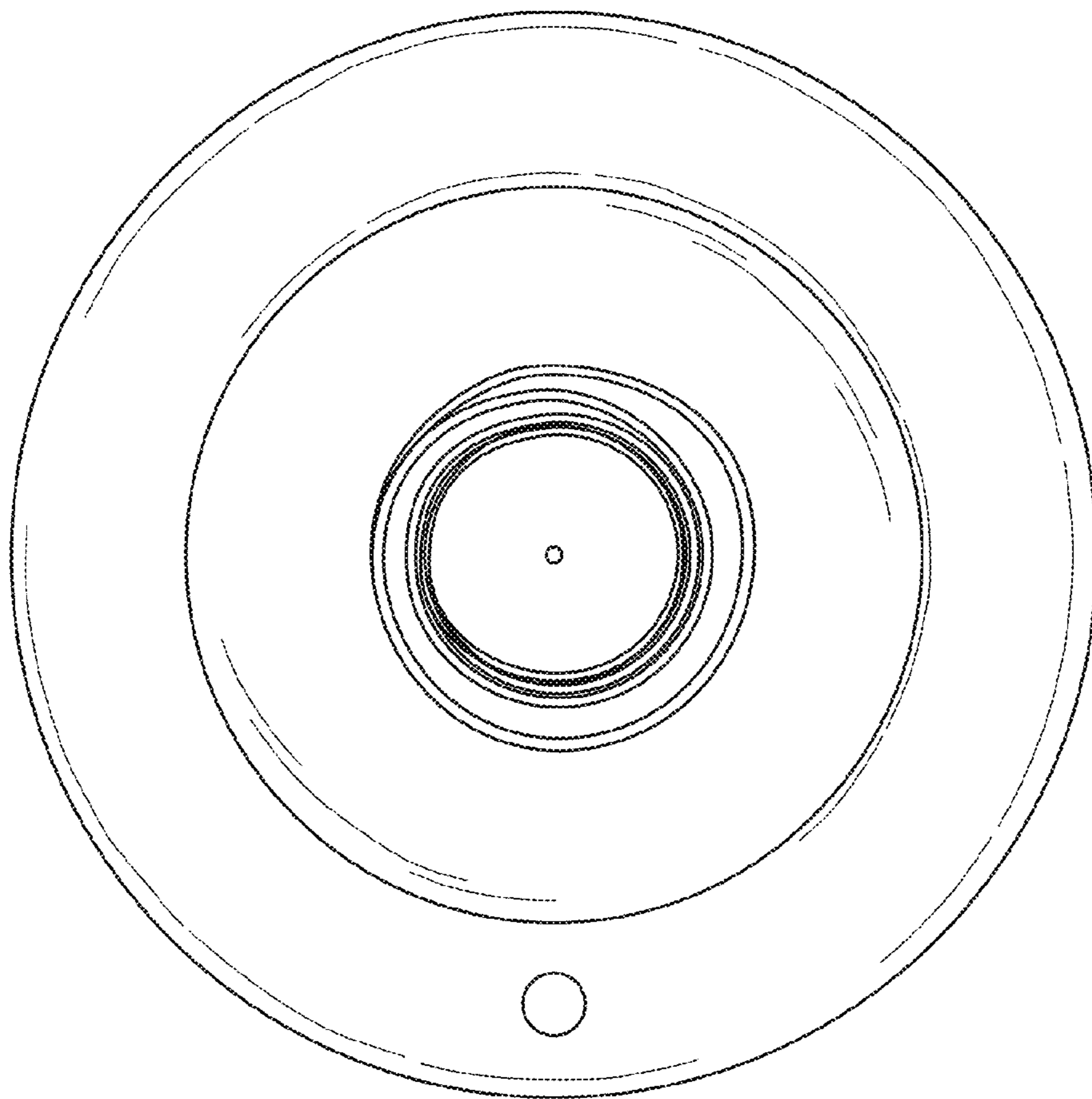


FIG. 7

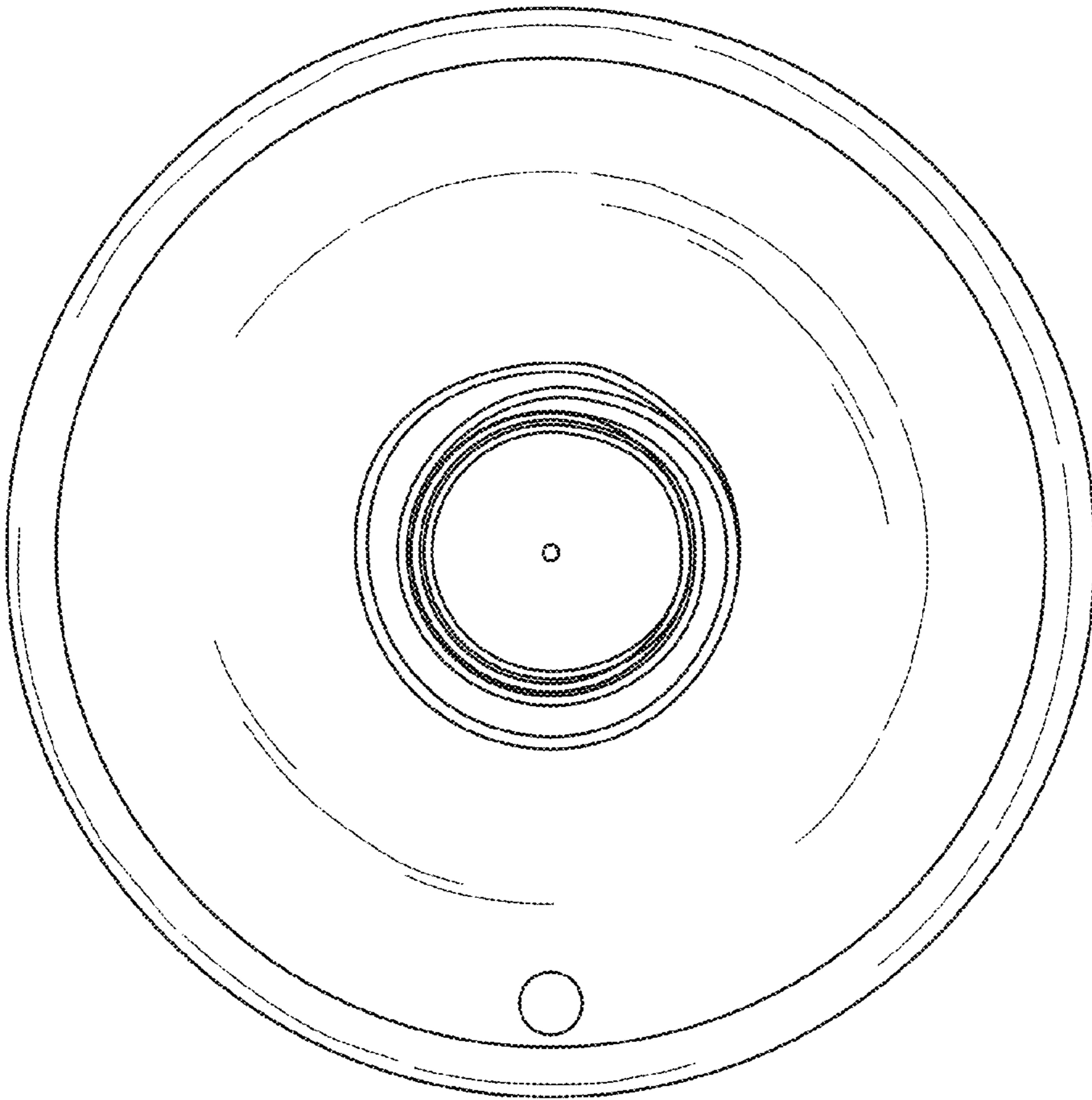


FIG. 8

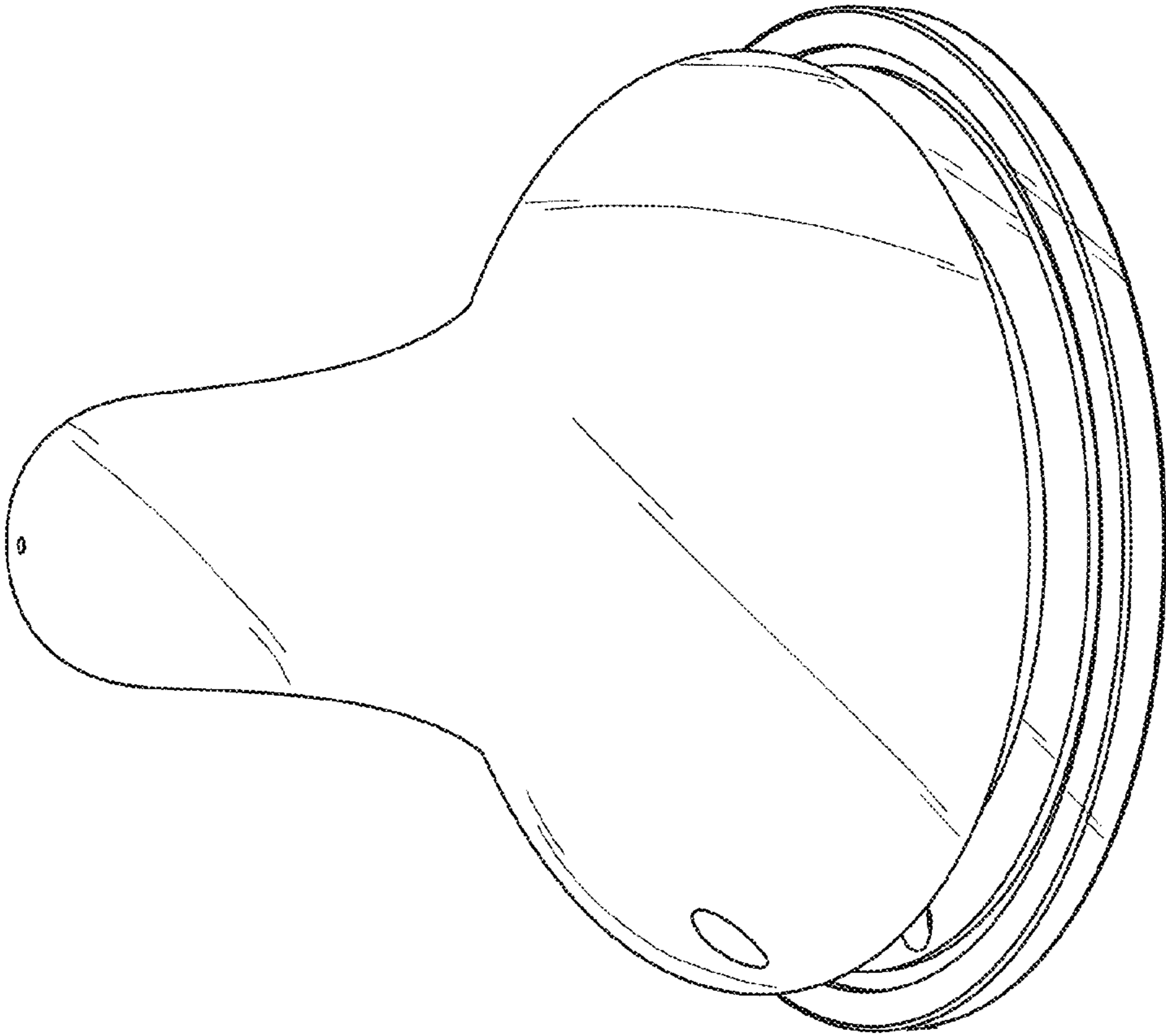


FIG. 9

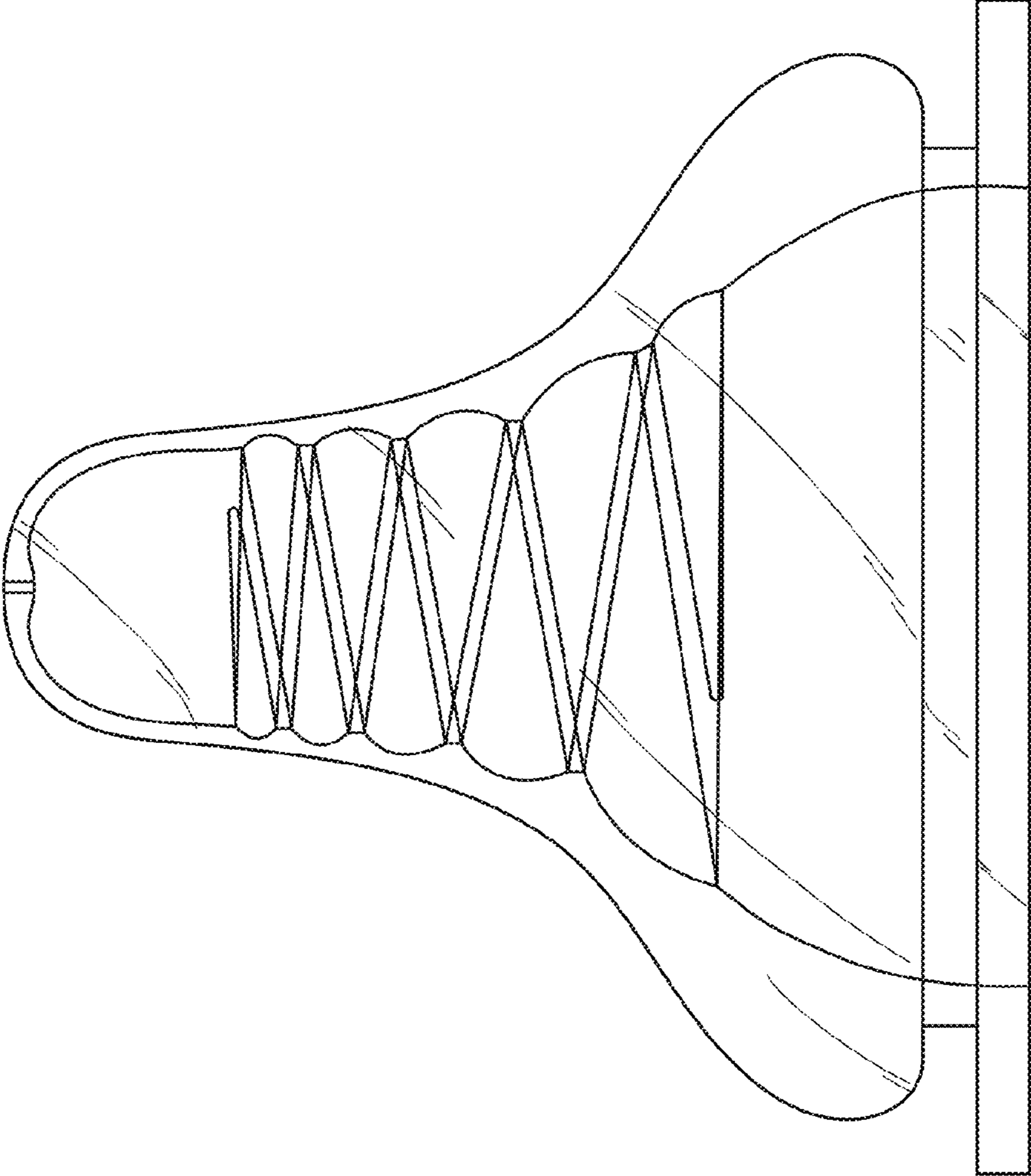


FIG. 10

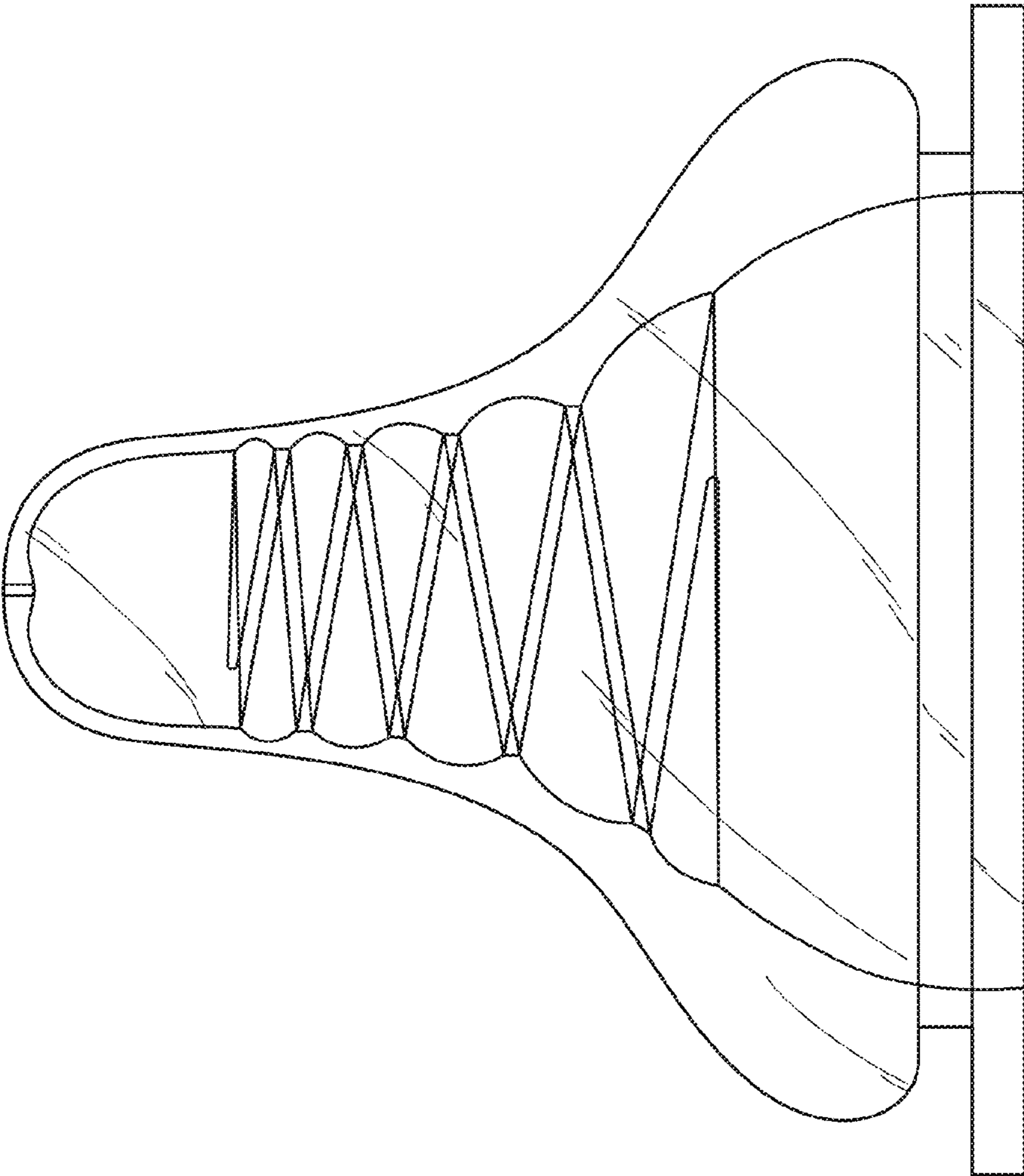


FIG. 11

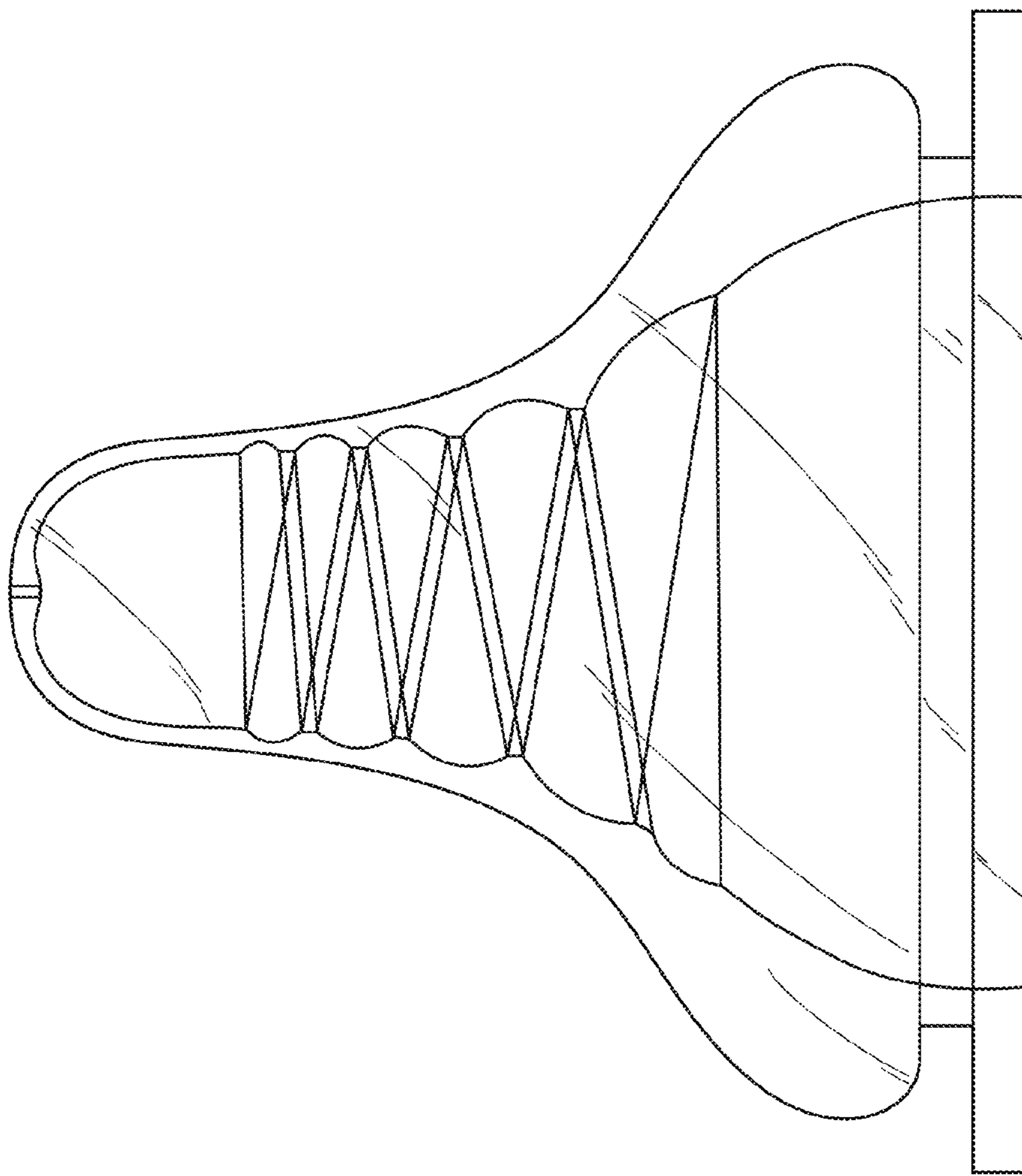


FIG. 12

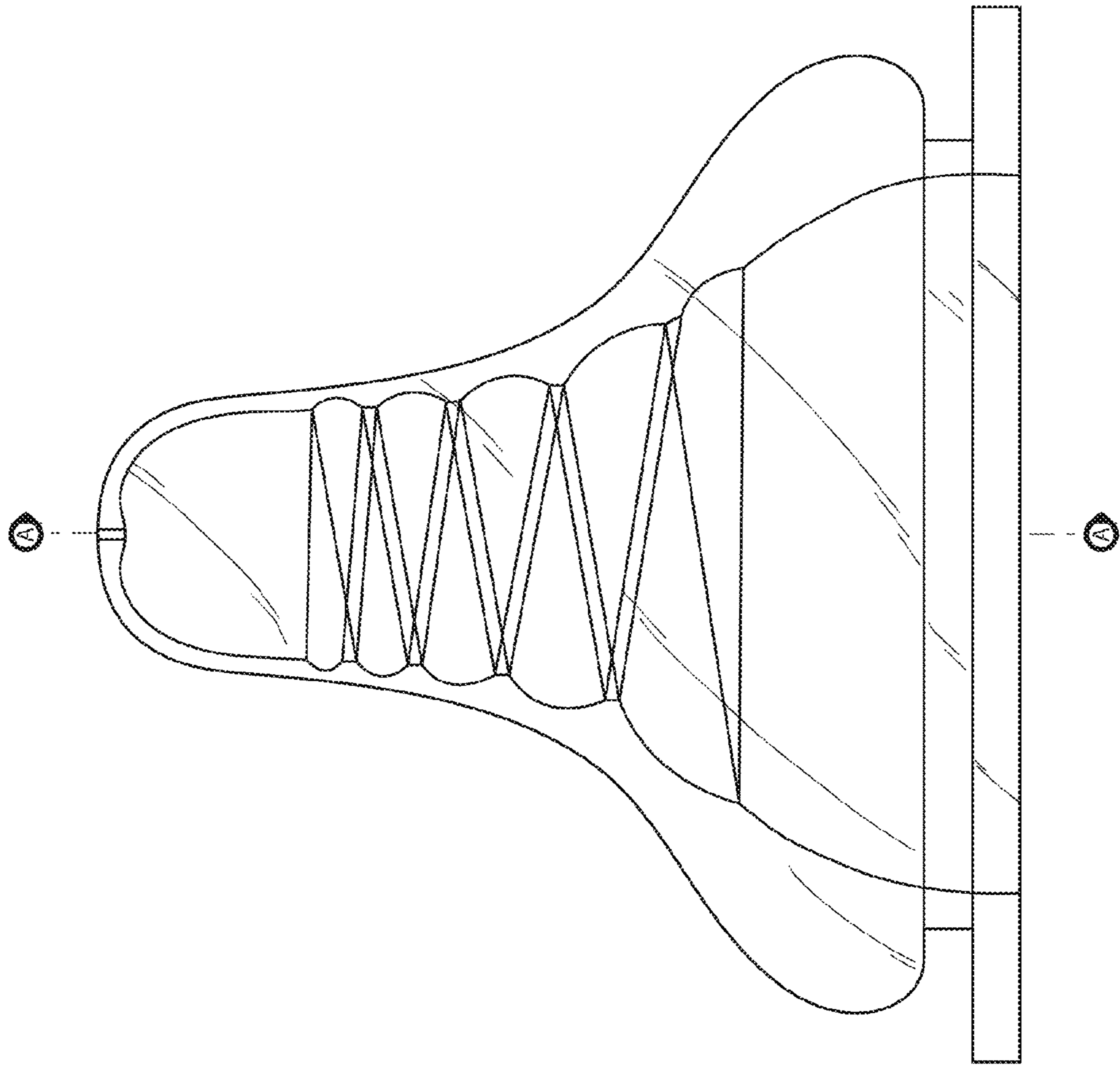


FIG. 13

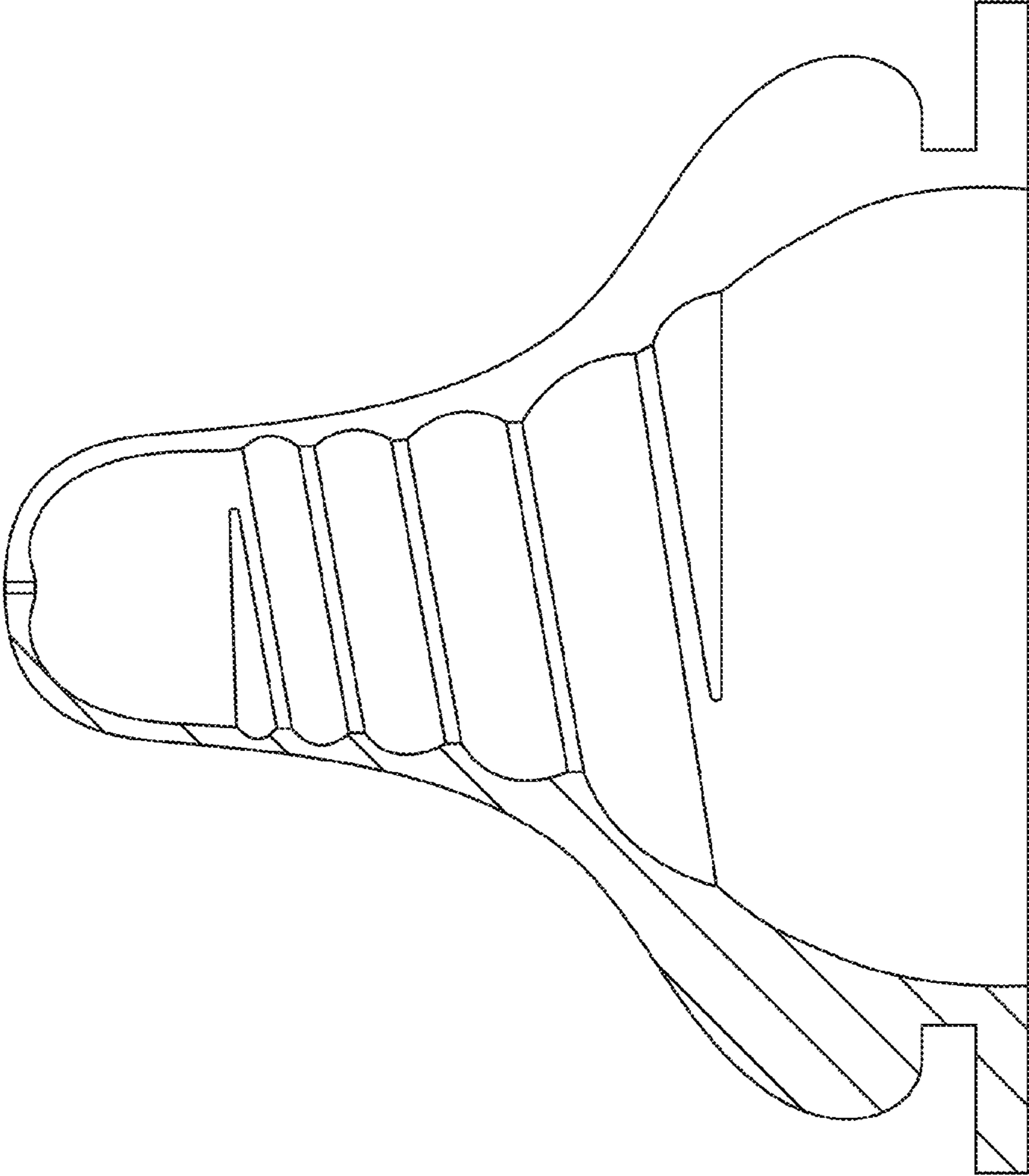


FIG. 14

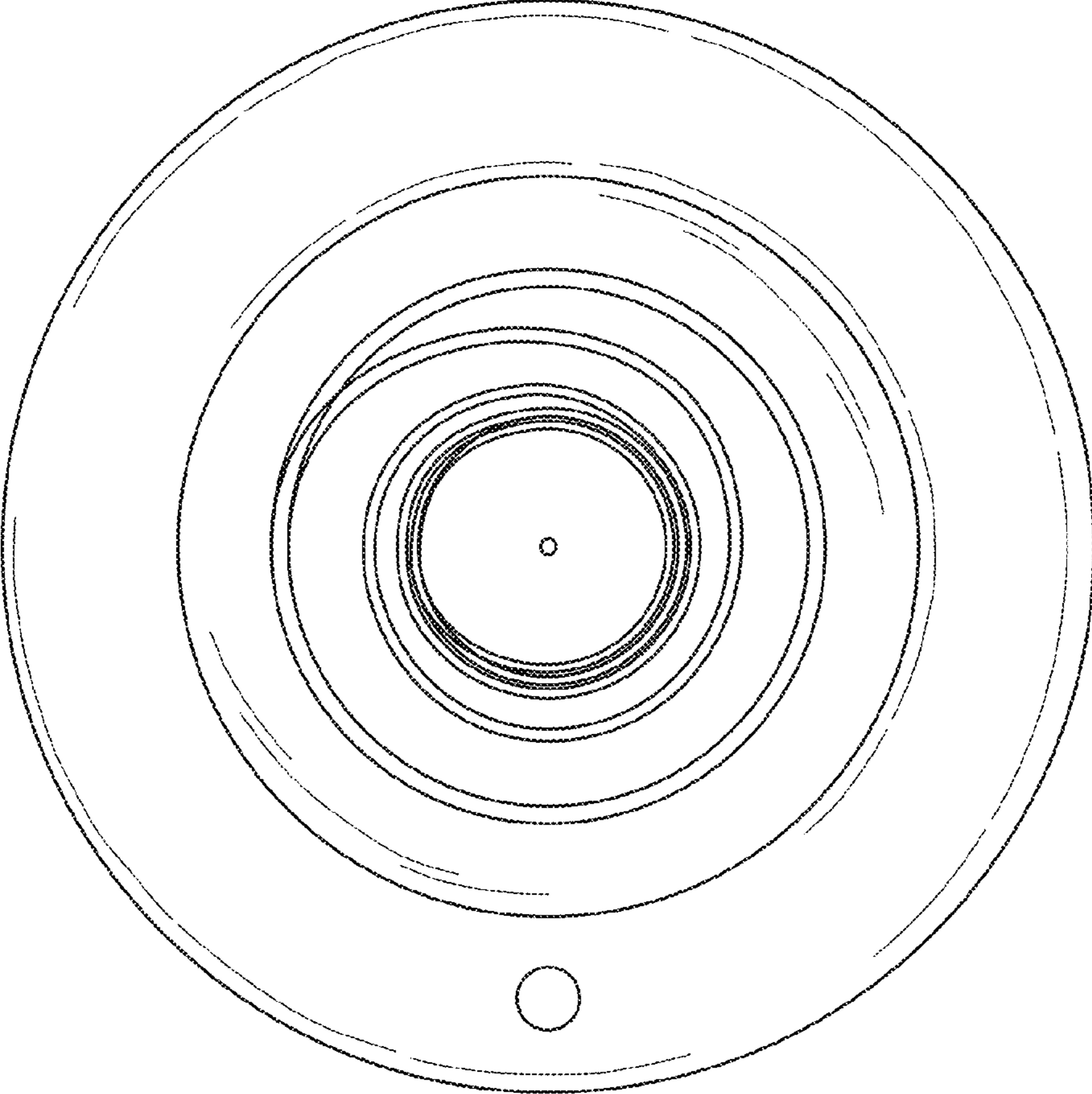


FIG. 15

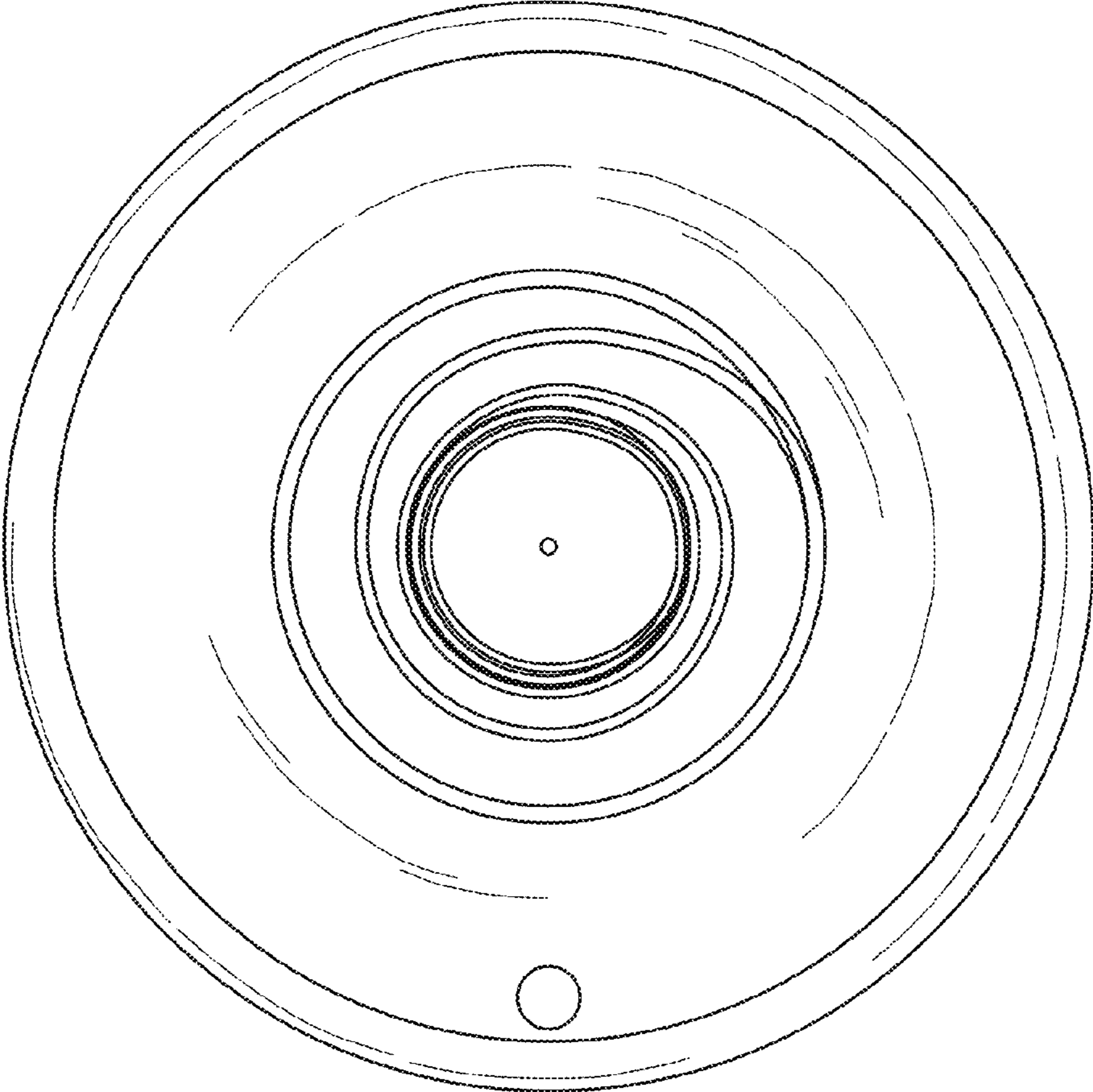


FIG. 16