



US00D725280S

(12) **United States Design Patent**
Gantes

(10) **Patent No.:** **US D725,280 S**

(45) **Date of Patent:** **** Mar. 24, 2015**

(54) **BITE GUARD MOUTHPIECE**

(71) Applicant: **Bernard Gantes**, Huntington Beach, CA
(US)

(72) Inventor: **Bernard Gantes**, Huntington Beach, CA
(US)

(73) Assignee: **Cyber-Implants, LLC**, Huntington
Beach, CA (US)

(**) Term: **14 Years**

(21) Appl. No.: **29/460,703**

(22) Filed: **Jul. 12, 2013**

(51) **LOC (10) Cl.** **24-01**

(52) **U.S. Cl.**
USPC **D24/181**

(58) **Field of Classification Search**
USPC D24/108, 110.5, 127-128, 140, 152,
D24/156, 176-182, 185; D29/108;
128/859-862, 846, 848; 602/902;
433/6, 18-24, 56, 72, 75, 141, 54,
433/60-61, 74, 172

See application file for complete search history.

(56) **References Cited**

U.S. PATENT DOCUMENTS

3,407,500	A *	10/1968	Kesling	433/6
4,600,385	A *	7/1986	Lee	433/60
D312,871	S *	12/1990	Mayclin	D24/181
5,573,397	A *	11/1996	Silva	433/56
5,833,693	A *	11/1998	Abrahami	433/172
7,905,726	B2 *	3/2011	Stumpel	433/75
8,104,467	B2 *	1/2012	NaPier	128/861
8,333,202	B2 *	12/2012	Lyons	128/848
2014/0261460	A1 *	9/2014	Tseng et al.	128/861

* cited by examiner

Primary Examiner — Wan Laymon

(74) *Attorney, Agent, or Firm* — Rutan & Tucker LLP; Hani Z. Sayed

(57) **CLAIM**

The ornamental design for a bite guard mouthpiece, as shown and described.

DESCRIPTION

FIG. 1 is a top, front, right side, perspective view of the bite guard mouthpiece of the present invention; FIG. 2 is a front elevation view; FIG. 3 is a rear elevation view; FIG. 4. is a left side elevation view; FIG. 5 is a right side elevation view; and, FIG. 6 is a top plan view, the bottom plan view being a mirror image.

1 Claim, 4 Drawing Sheets

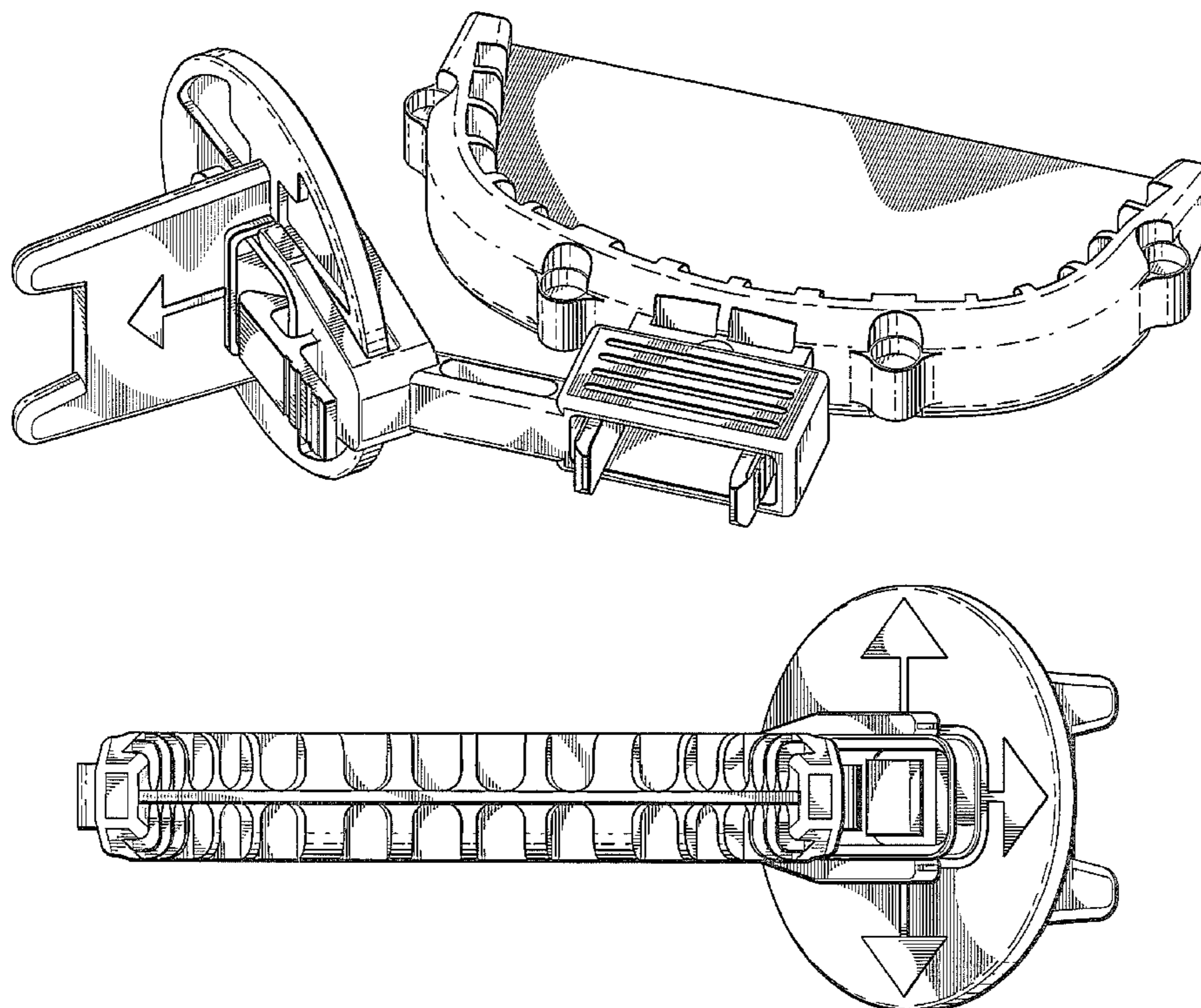


FIG. 1

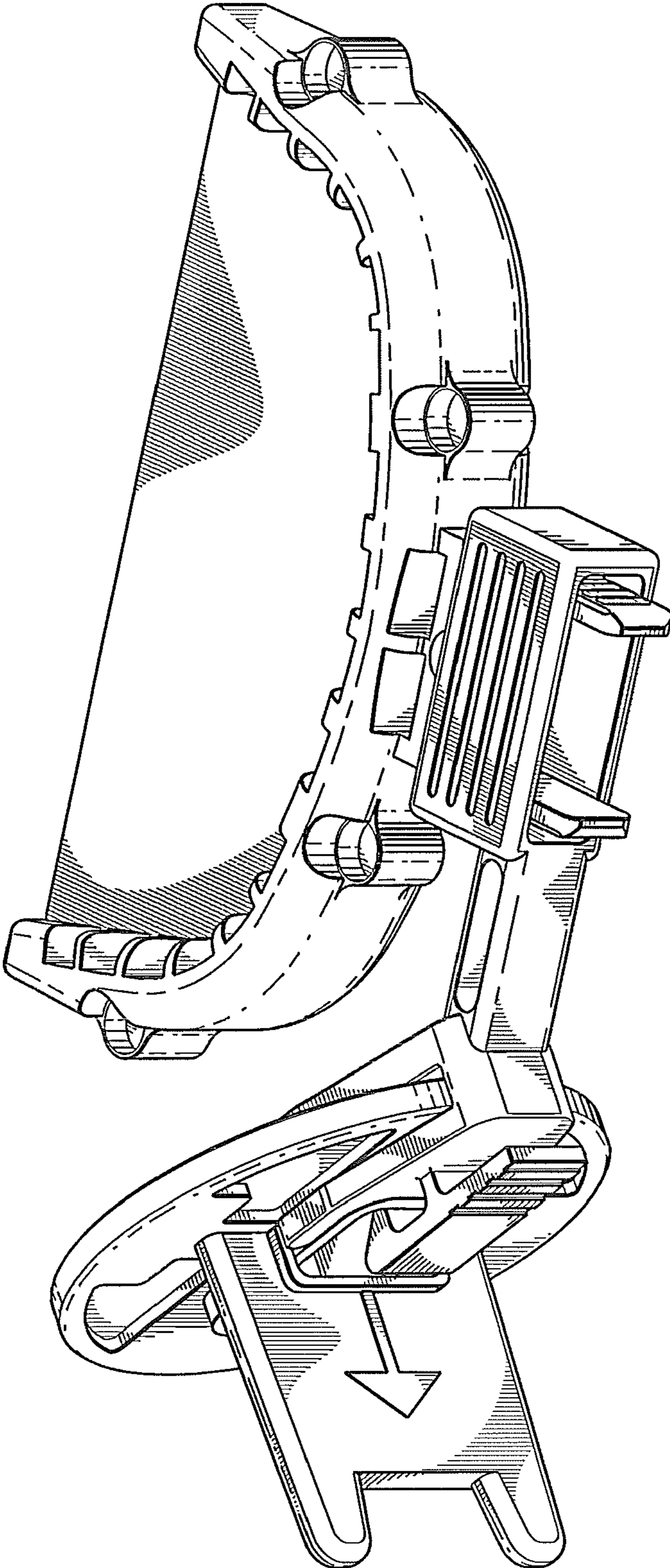


FIG. 2

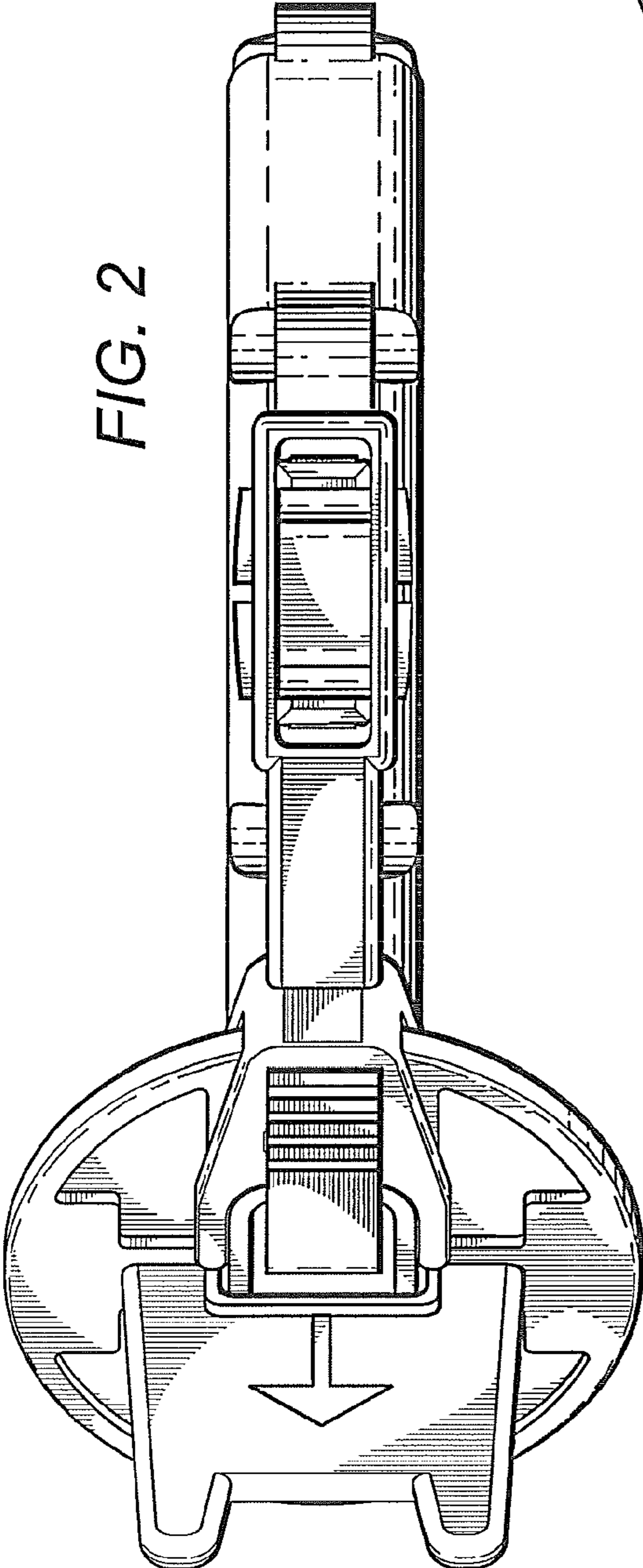
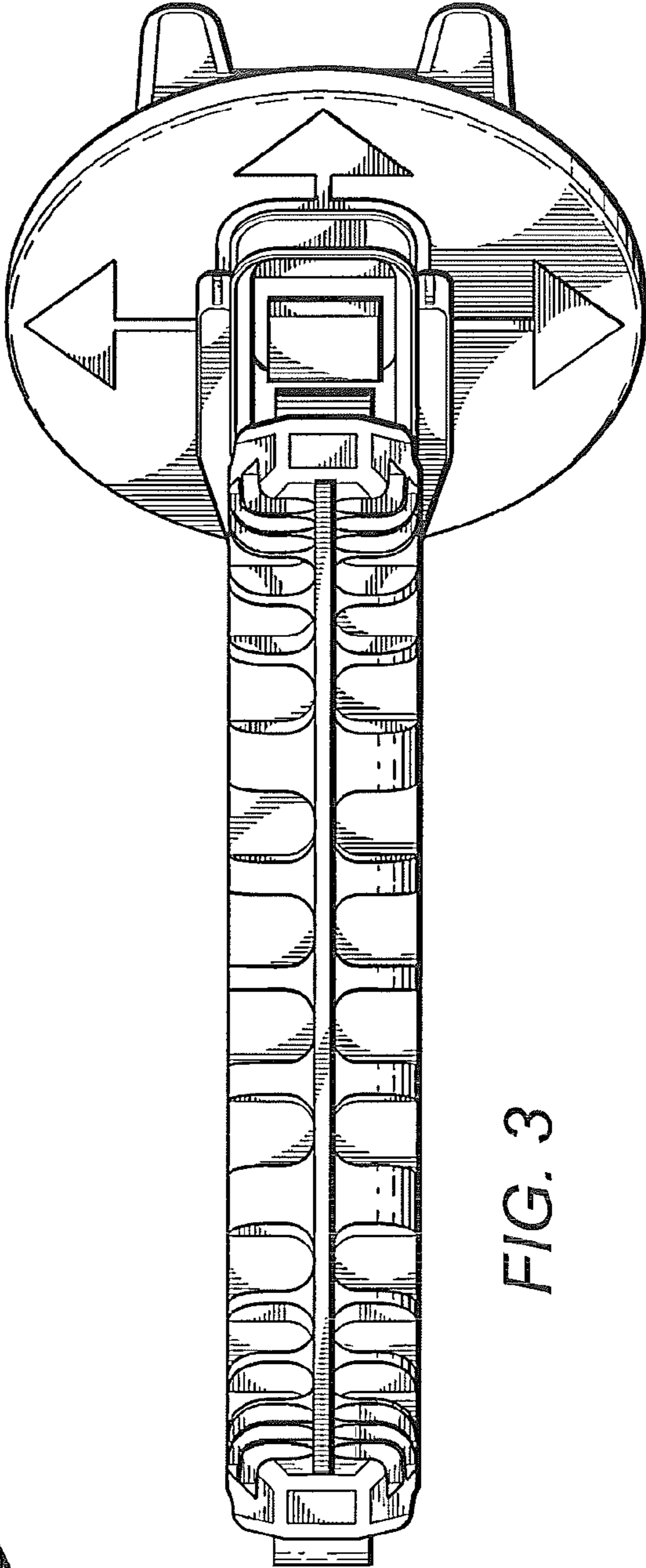


FIG. 3



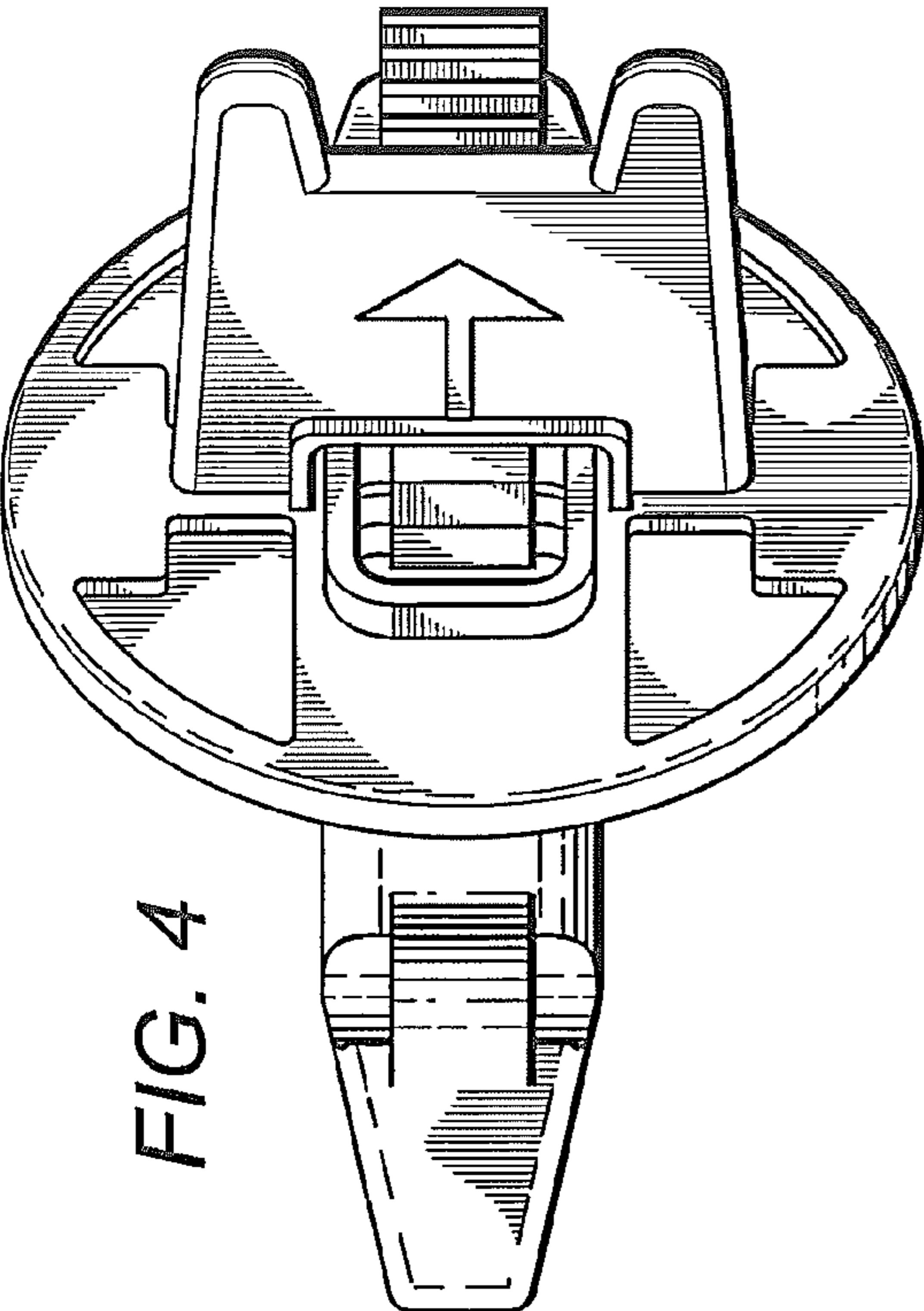


FIG. 4

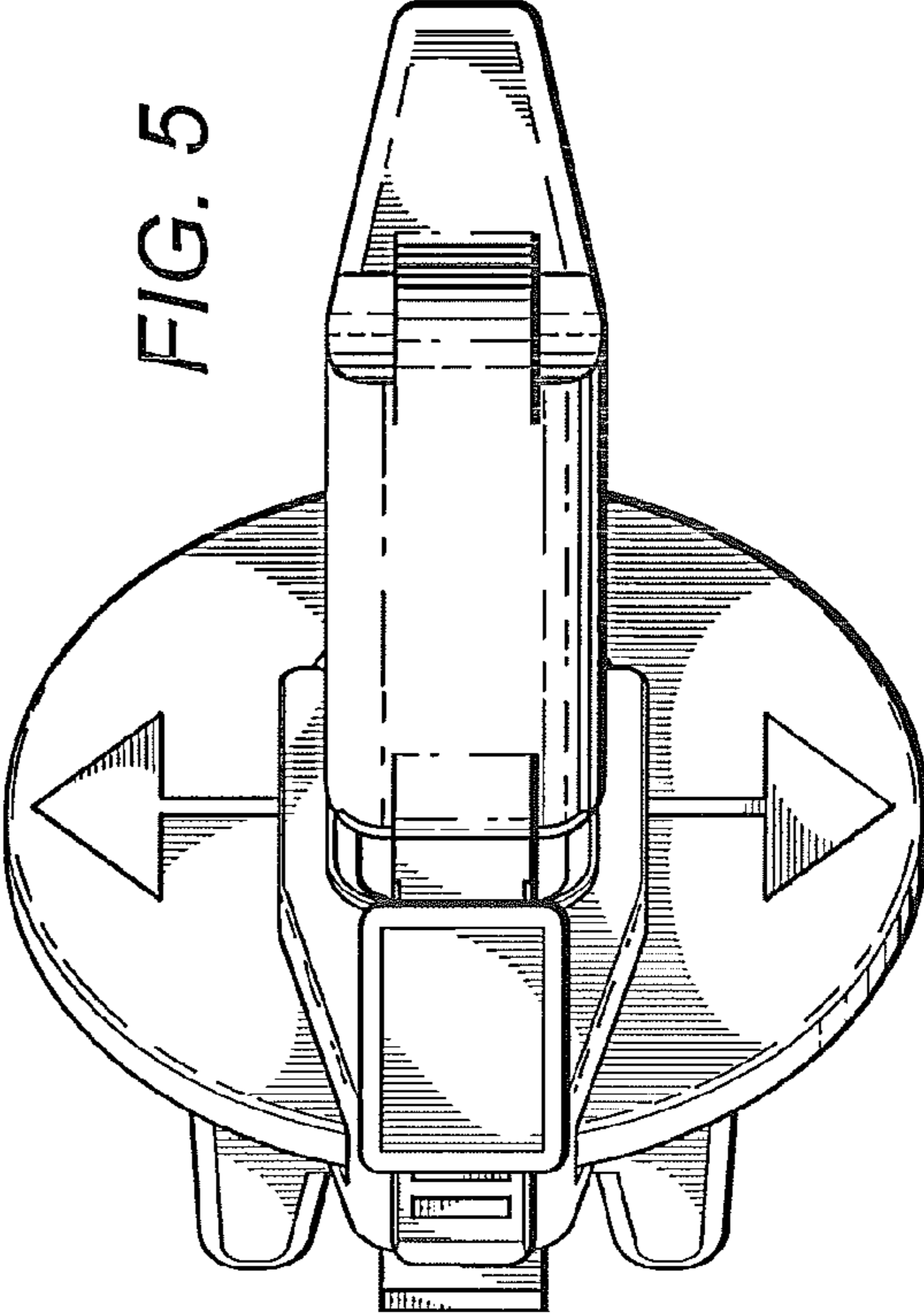


FIG. 5

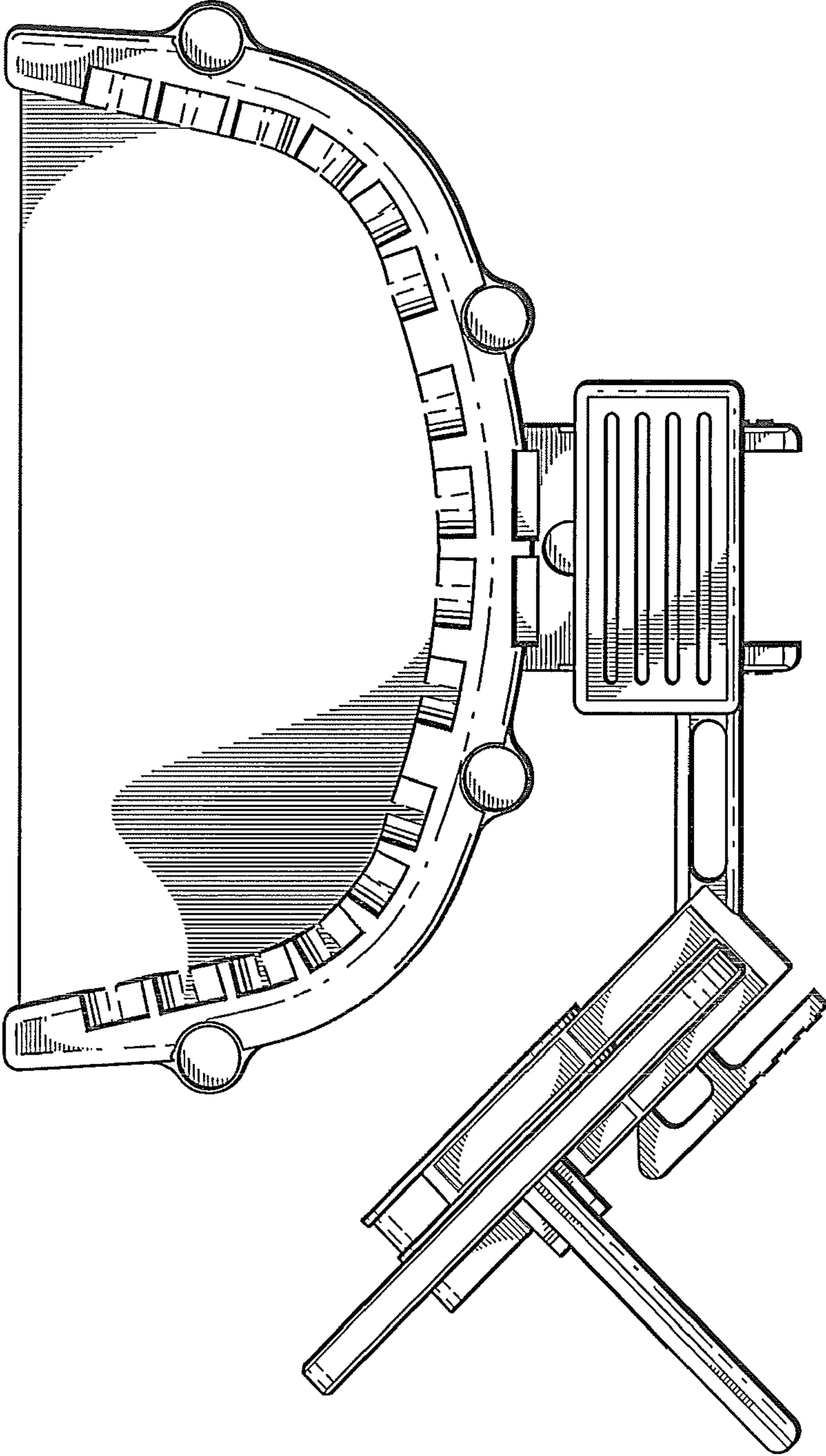


FIG. 6