



US00D725279S

(12) **United States Design Patent**
Markova

(10) **Patent No.:** **US D725,279 S**

(45) **Date of Patent:** **** *Mar. 24, 2015**

(54) **ORTHODONTIC BRACKET**

(71) Applicant: **Christiana Markova**, Washington, DC
(US)

(72) Inventor: **Christiana Markova**, Washington, DC
(US)

(*) Notice: This patent is subject to a terminal disclaimer.

(**) Term: **14 Years**

(21) Appl. No.: **29/459,068**

(22) Filed: **Jun. 25, 2013**

(51) **LOC (10) Cl.** **24-99**

(52) **U.S. Cl.**
USPC **D24/180**

(58) **Field of Classification Search**
USPC D24/176-182, 152, 155-156; 433/8-17
See application file for complete search history.

(56) **References Cited**

U.S. PATENT DOCUMENTS

4,249,897	A *	2/1981	Anderson	433/8
D290,040	S *	5/1987	Kelly	D24/180
4,713,001	A *	12/1987	Klein et al.	433/18
D302,588	S *	8/1989	Jones	D24/180
5,254,002	A *	10/1993	Reher et al.	433/8
5,326,259	A *	7/1994	Rohlcke et al.	433/8
7,140,875	B2 *	11/2006	Lai et al.	433/8
7,677,887	B2 *	3/2010	Nicholson	433/11
7,888,279	B2 *	2/2011	Tsukuma et al.	433/8
8,133,051	B2 *	3/2012	Tsukuma et al.	433/8
2008/0293005	A1 *	11/2008	Rahlis et al.	433/16
2010/0112508	A1 *	5/2010	Lopes	433/10
2012/0295213	A1 *	11/2012	Andrews et al.	433/15
2013/0196282	A1 *	8/2013	Eichelberger et al.	433/9

* cited by examiner

Primary Examiner — Wan Laymon

(74) *Attorney, Agent, or Firm* — Knobbe Martens Olson & Bear, LLP

(57) **CLAIM**

The ornamental design for an orthodontic bracket, as shown and described.

DESCRIPTION

FIG. 1 is an isometric perspective view of a first embodiment of an orthodontic bracket with a rectangular shaped object showing our new design;

FIG. 2 is a side view thereof;

FIG. 3 is a front view thereof;

FIG. 4 is a top plan view thereof;

FIG. 5 is a bottom plan view thereof;

FIG. 6 is a side view of a second embodiment of the orthodontic bracket with the rectangular shaped object;

FIG. 7 is a front view of the second embodiment of the orthodontic bracket with the rectangular shaped object thereof;

FIG. 8 is a side view of a third embodiment of the orthodontic bracket with the rectangular shaped object thereof;

FIG. 9 is a front view of the third embodiment of the orthodontic bracket with the rectangular shaped object thereof;

FIG. 10 is a side view of a fourth embodiment of the orthodontic bracket with the rectangular shaped object thereof;

FIG. 11 is a front view of the fourth embodiment of the orthodontic bracket with the rectangular shaped object thereof;

FIG. 12 is an isometric perspective view of an orthodontic bracket with a bone shaped object showing our new design;

FIG. 13 is a side view thereof;

FIG. 14 is a front view thereof;

FIG. 15 is a top plan view thereof;

FIG. 16 is a bottom plan view thereof;

FIG. 17 is a side view of a second embodiment of the orthodontic bracket with the bone shaped object;

FIG. 18 is a front view of the second embodiment of the orthodontic bracket with the bone shaped object thereof;

FIG. 19 is a side view of a third embodiment of the orthodontic bracket with the bone shaped object thereof;

FIG. 20 is a front view of the third embodiment of the orthodontic bracket with the bone shaped object thereof;

FIG. 21 is a side view of a fourth embodiment of the orthodontic bracket with the bone shaped object thereof;

FIG. 22 is a front view of the fourth embodiment of the orthodontic bracket with the bone shaped object thereof;

FIG. 23 is an isometric perspective view of an orthodontic bracket with a kite shaped object showing our new design;

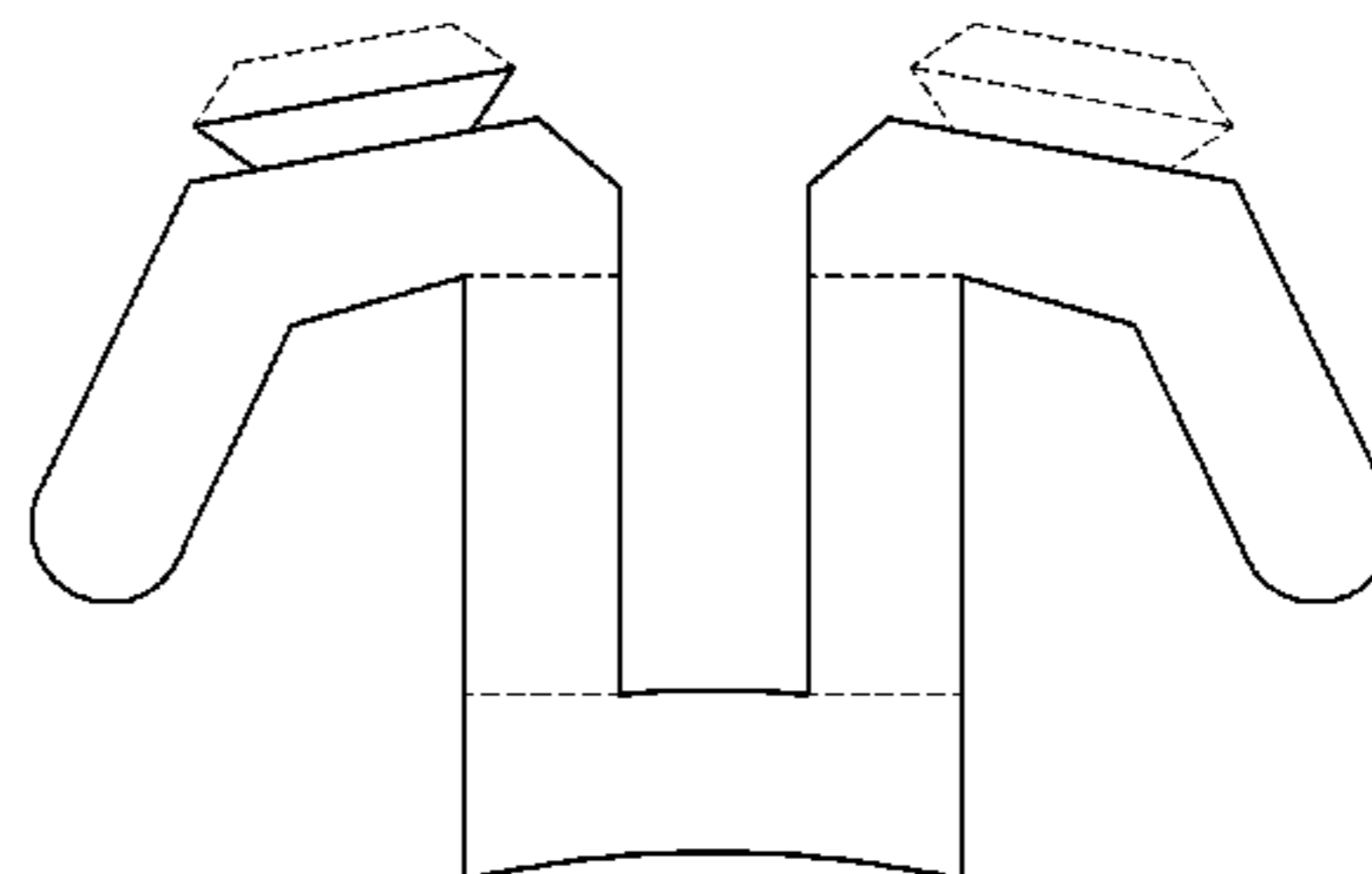
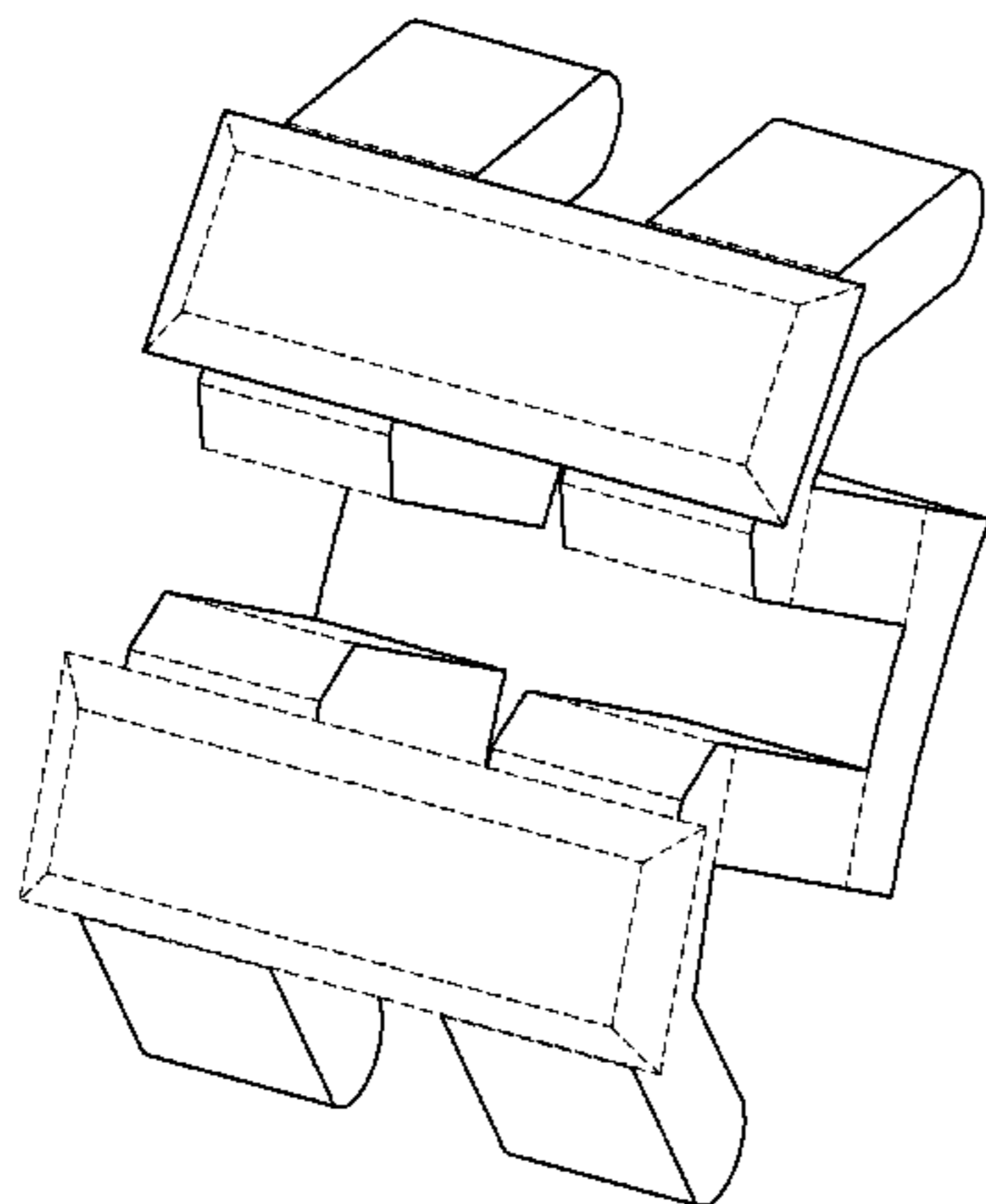


FIG. 24 is a side view thereof;
FIG. 25 is a front view thereof;
FIG. 26 is a top plan view thereof;
FIG. 27 is a bottom plan view thereof;
FIG. 28 is a side view of a second embodiment of the orthodontic bracket with the kite shaped object;
FIG. 29 is a front view of the second embodiment of the orthodontic bracket with the kite shaped object thereof;
FIG. 30 is a side view of a third embodiment of the orthodontic bracket with the kite shaped object thereof;
FIG. 31 is a front view of the third embodiment of the orthodontic bracket with the kite shaped object thereof;
FIG. 32 is a side view of a fourth embodiment of the orthodontic bracket with the kite shaped object thereof;
FIG. 33 is a front view of the fourth embodiment of the orthodontic bracket with the kite shaped object thereof;
FIG. 34 is an isometric perspective view of an orthodontic bracket with a oval shaped object showing our new design;
FIG. 35 is a side view thereof;
FIG. 36 is a front view thereof;

FIG. 37 is a top plan view thereof;
FIG. 38 is a bottom plan view thereof;
FIG. 39 is a side view of a second embodiment of the orthodontic bracket with the oval shaped object;
FIG. 40 is a front view of the second embodiment of the orthodontic bracket with the oval shaped object thereof;
FIG. 41 is a side view of a third embodiment of the orthodontic bracket with the oval shaped object thereof;
FIG. 42 is a front view of the third embodiment of the orthodontic bracket with the oval shaped object thereof;
FIG. 43 is a side view of a fourth embodiment of the orthodontic bracket with the oval shaped object thereof;
FIG. 44 is a front view of the fourth embodiment of the orthodontic bracket with the oval shaped object thereof; and,
FIG. 45 is a perspective view of multiple orthodontic brackets with a kite shaped object.
The dashed broken lines in the Figures are included for the purpose of illustrating portions of the orthodontic bracket that form no part of the claimed design.

1 Claim, 25 Drawing Sheets

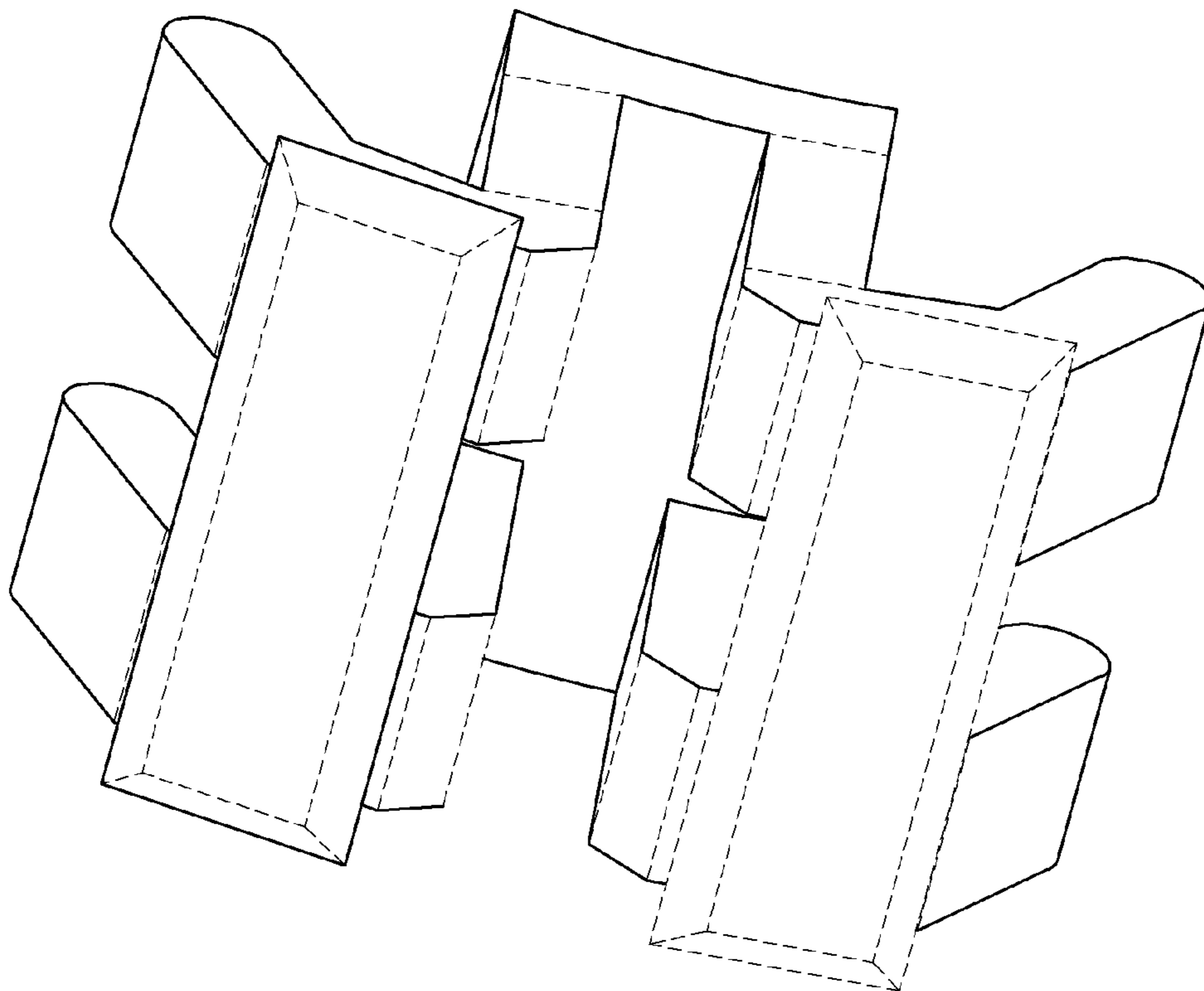


FIG. 1

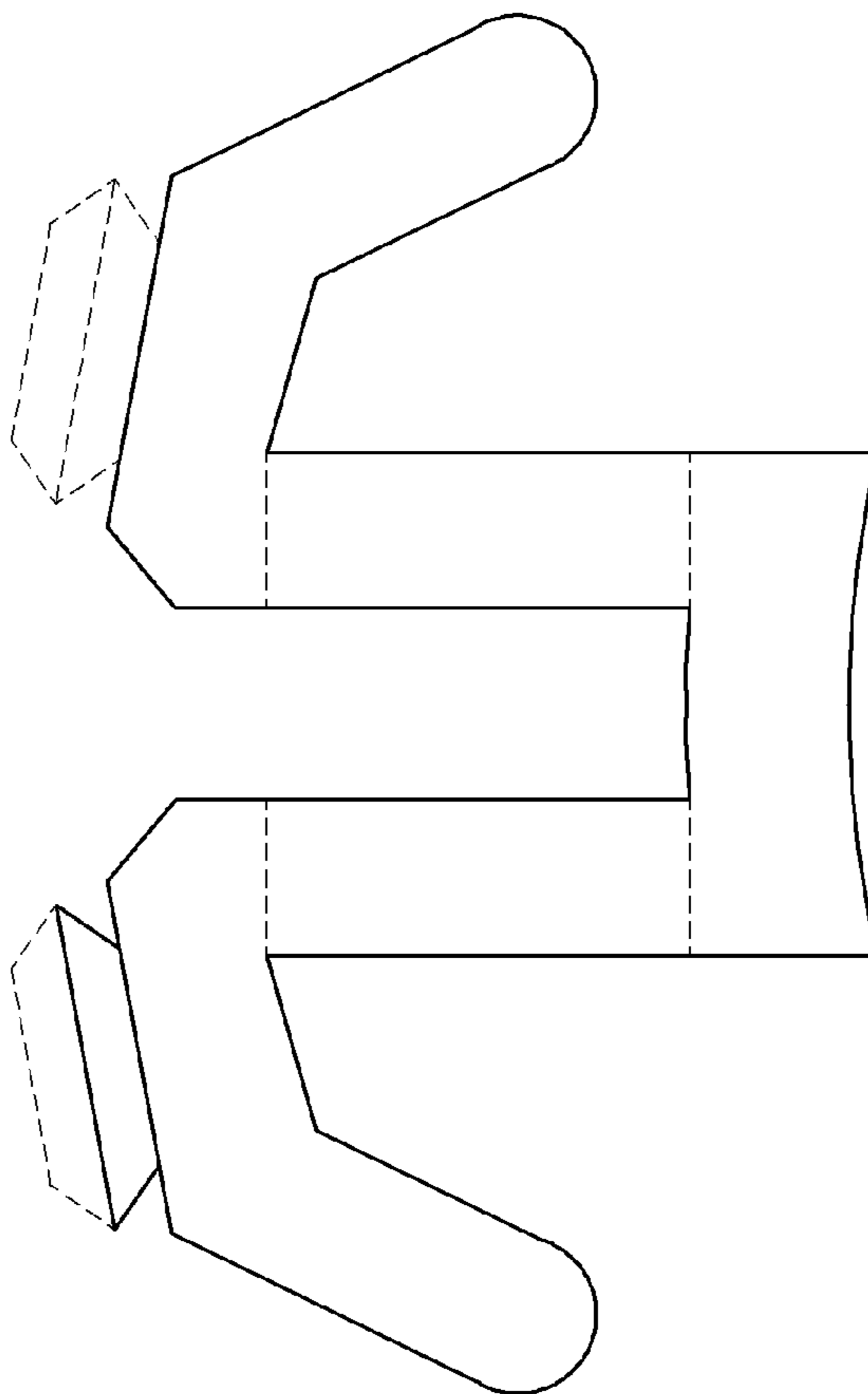


FIG. 2

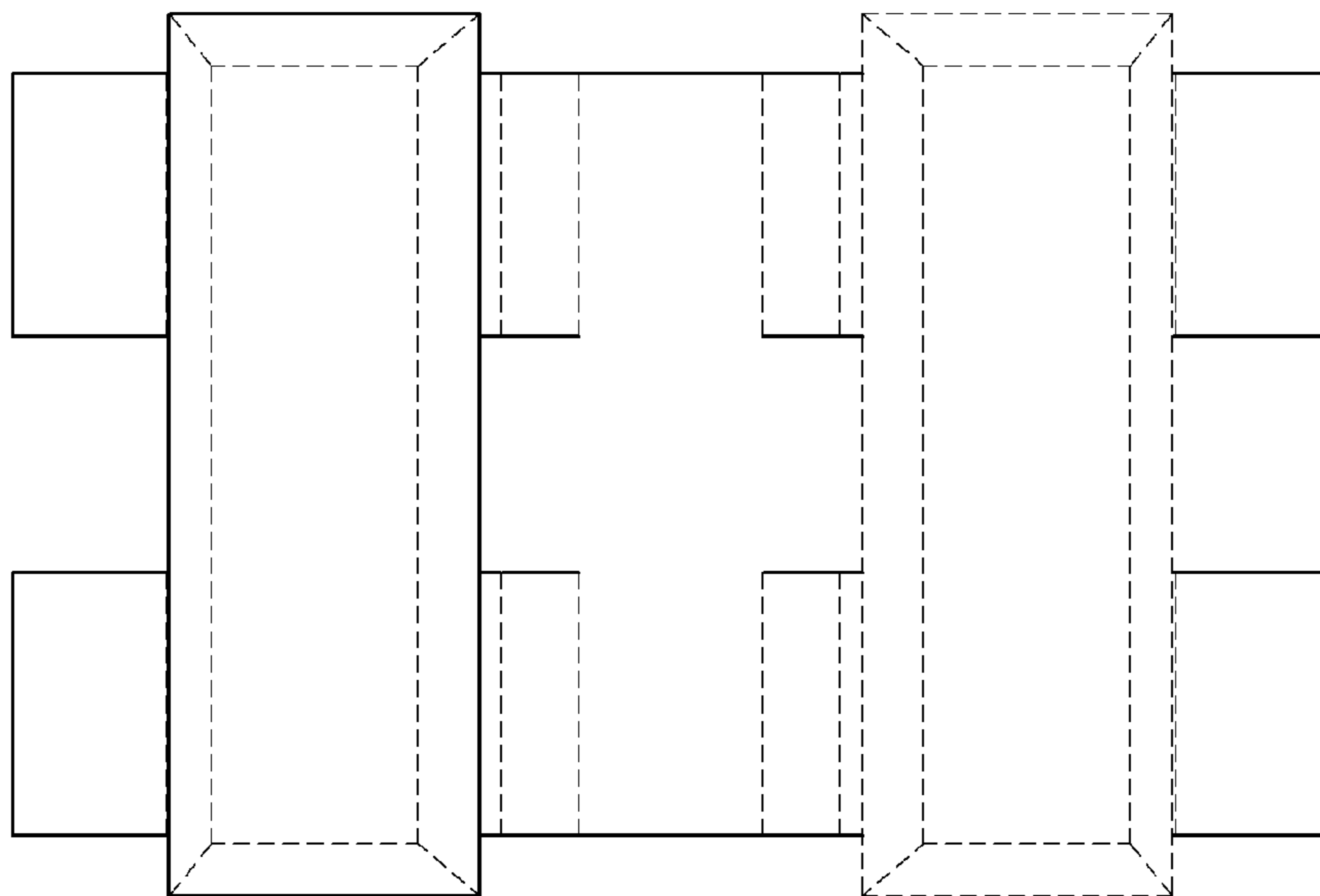


FIG. 4

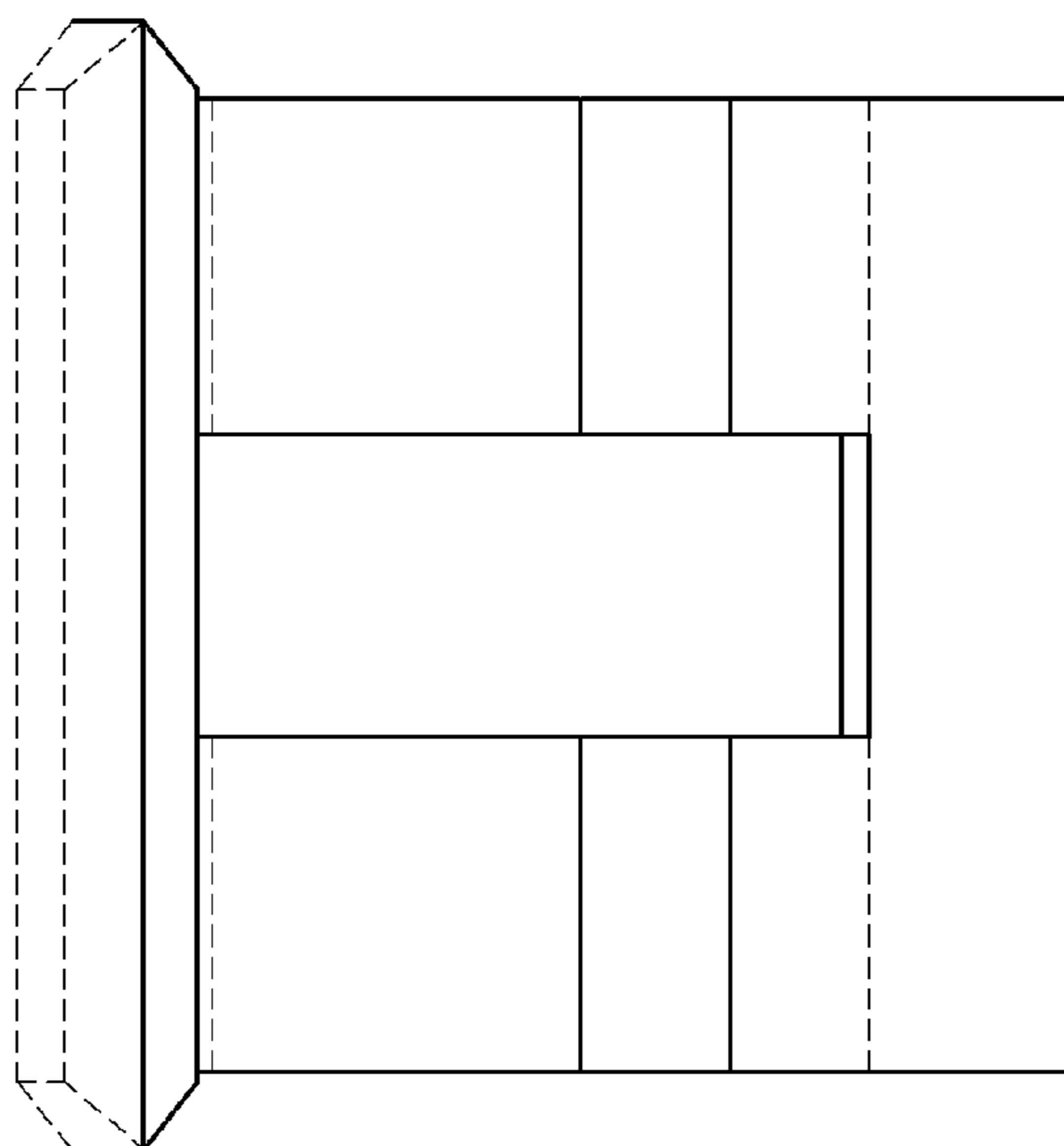


FIG. 3

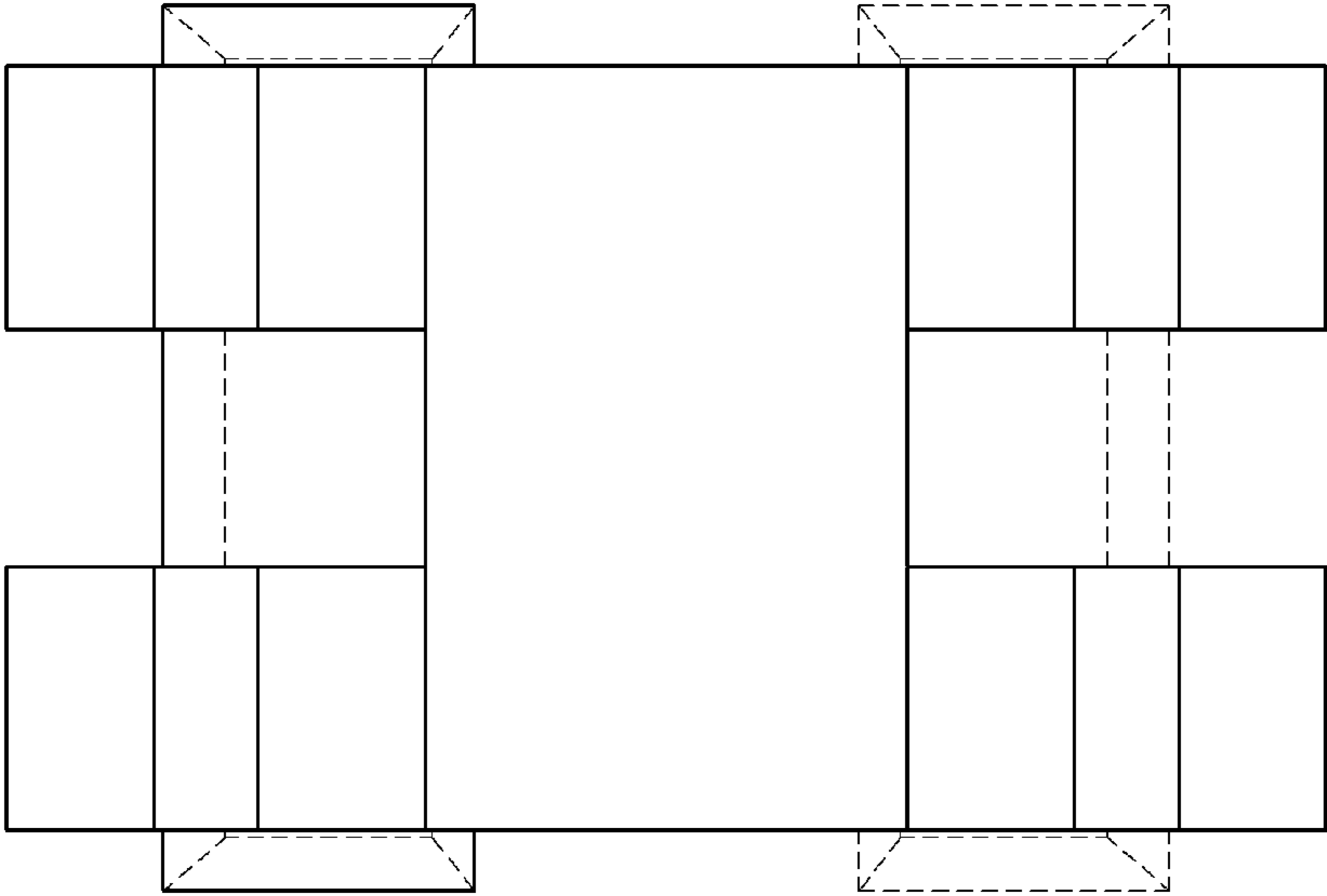


FIG. 5

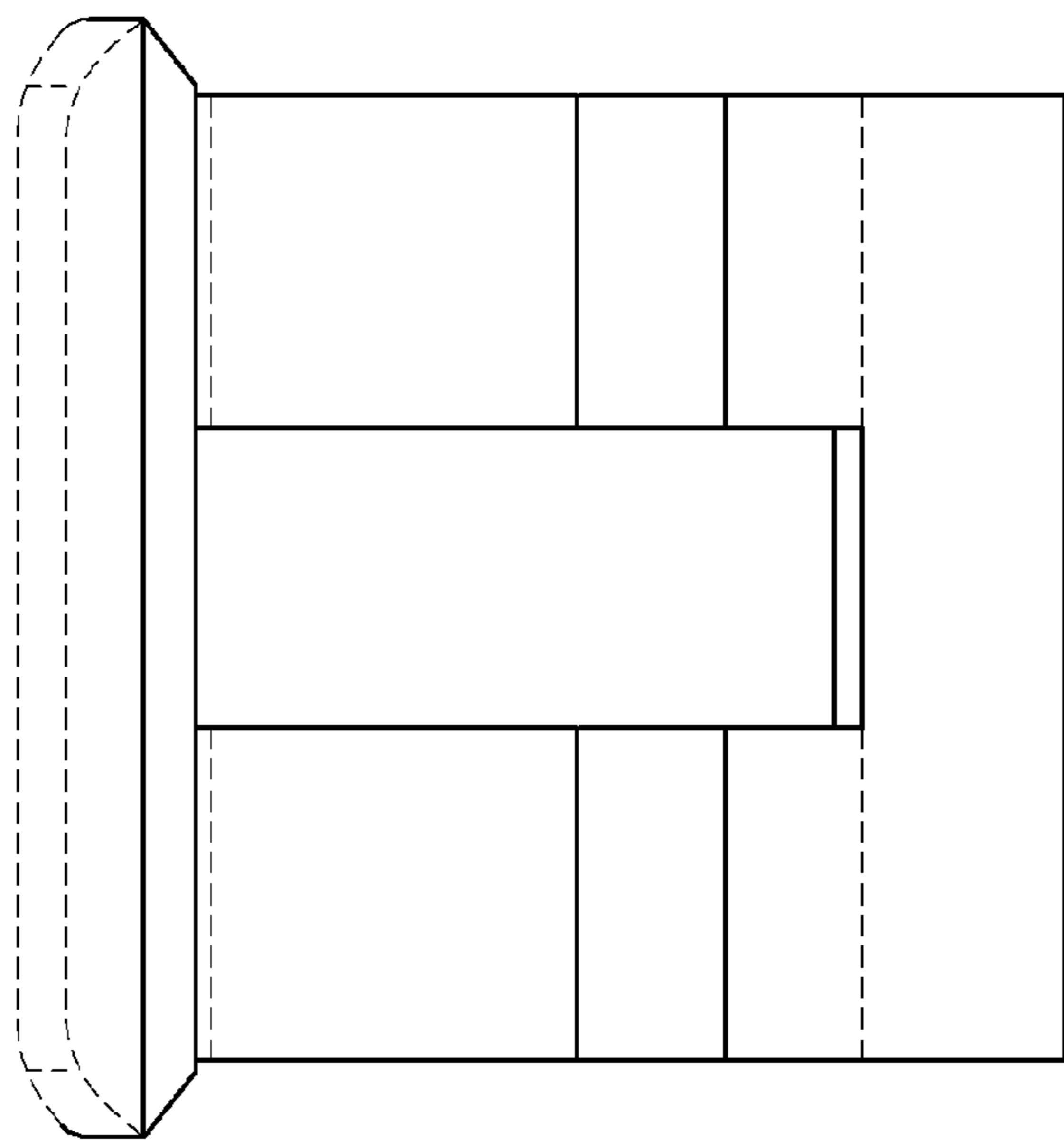


FIG. 7

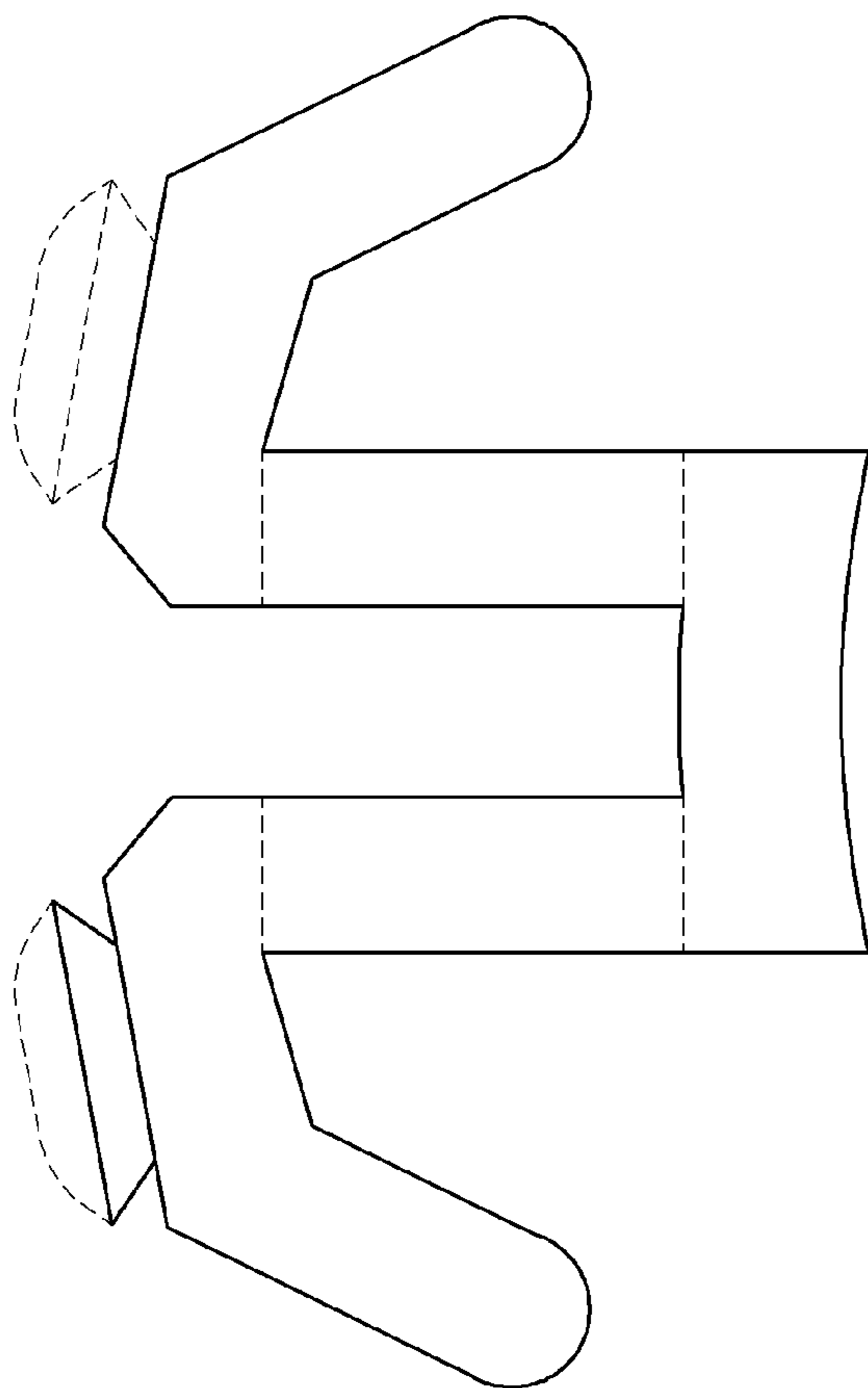


FIG. 6

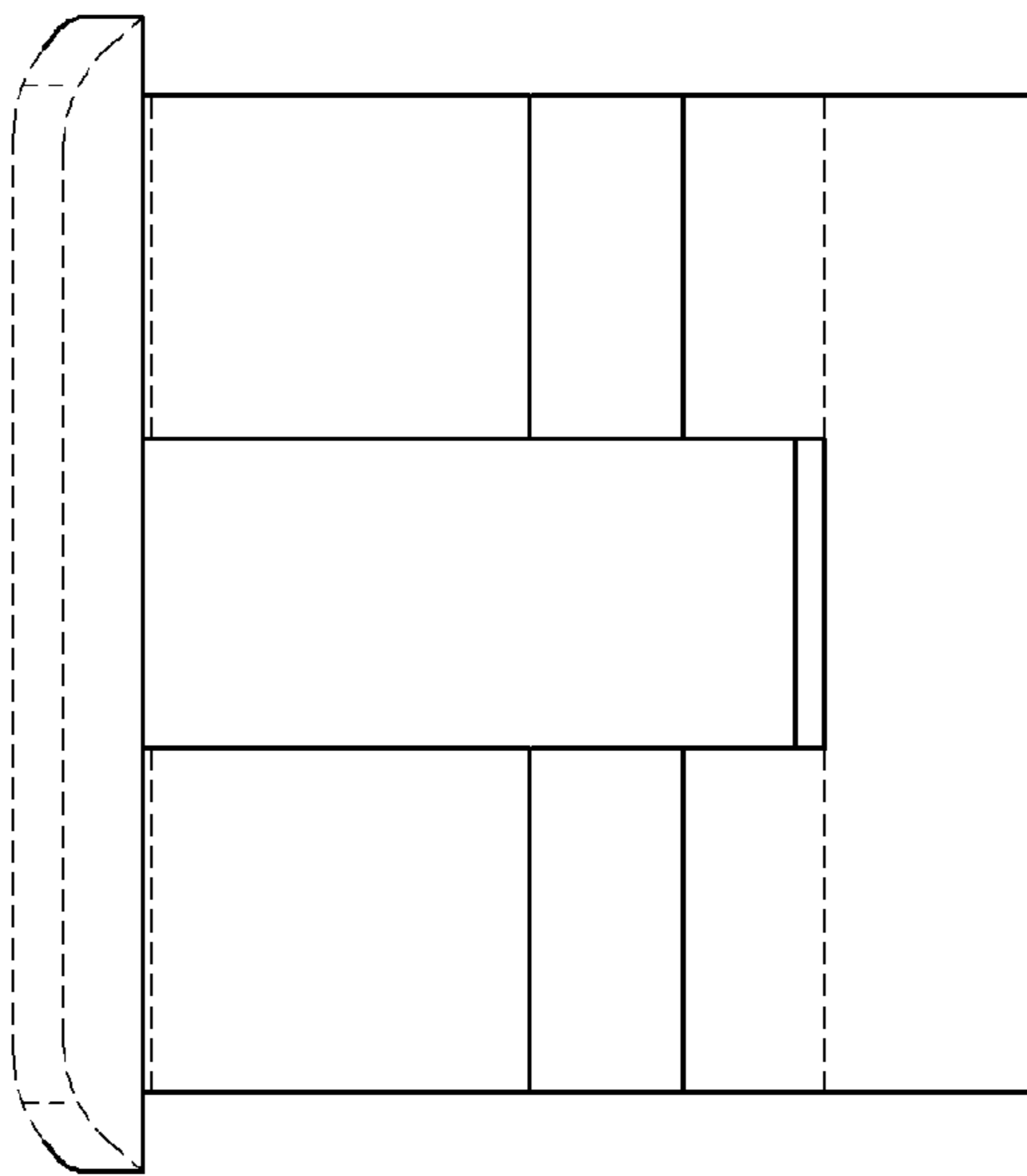


FIG. 9

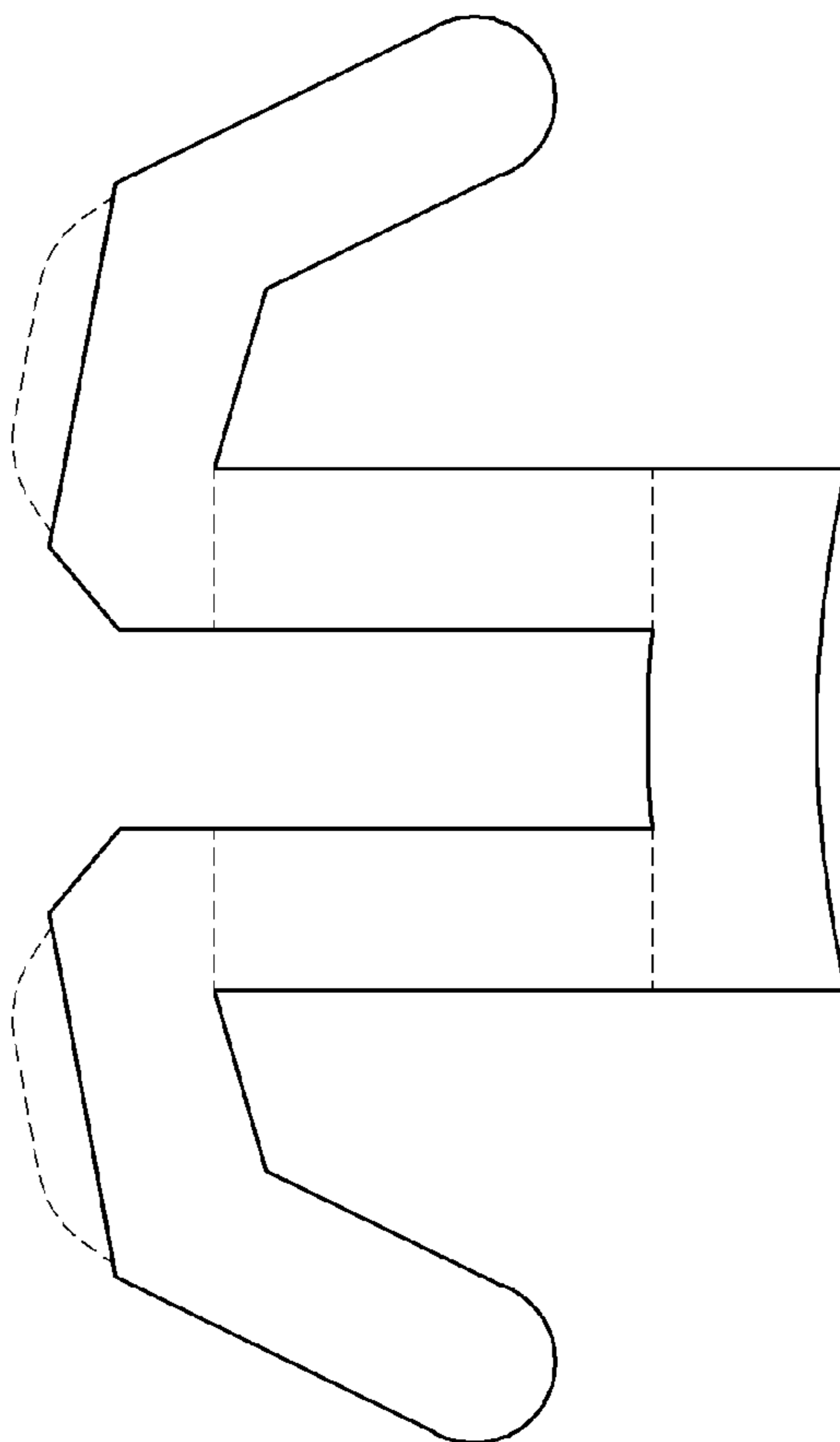


FIG. 8

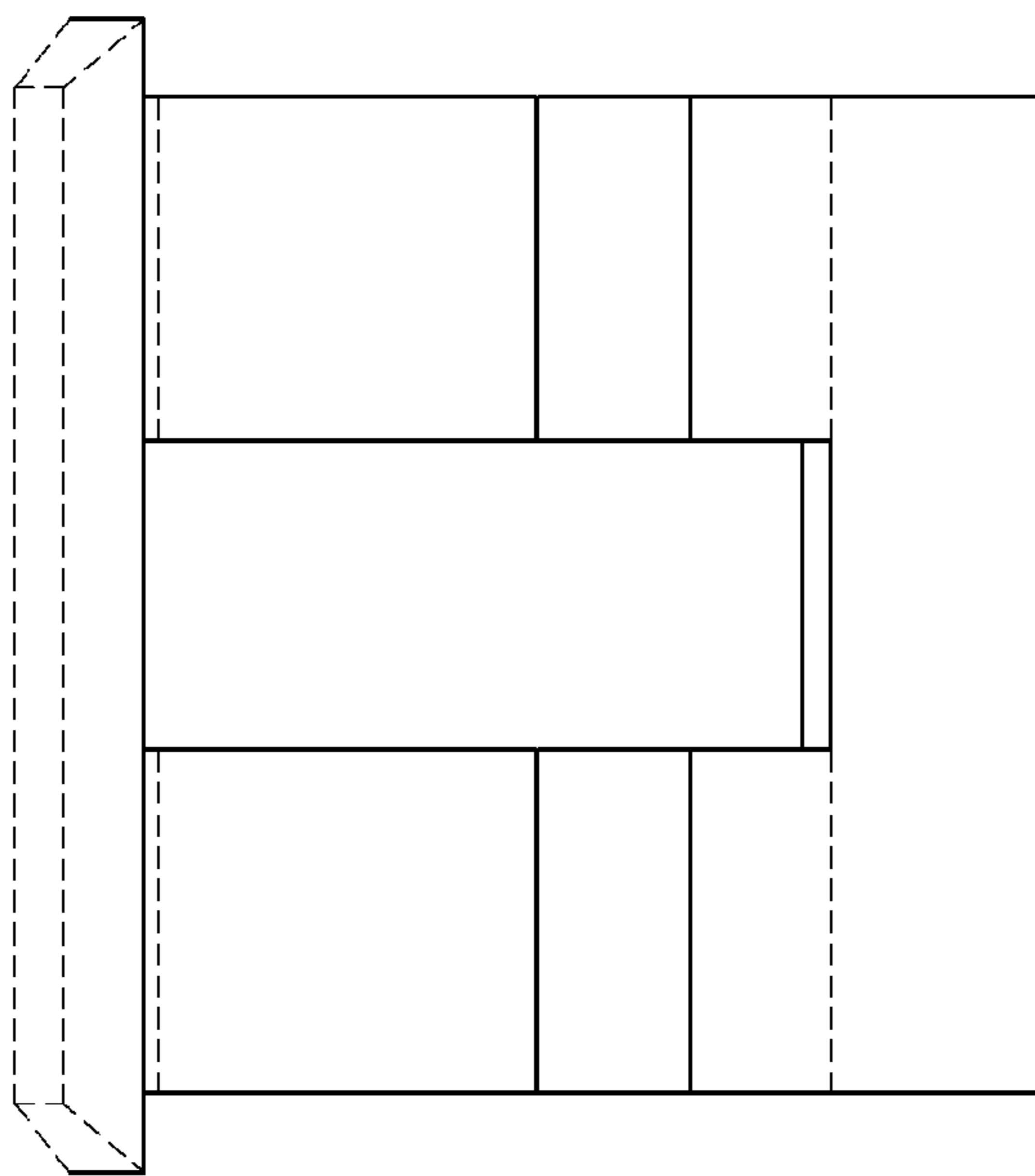


FIG. 10

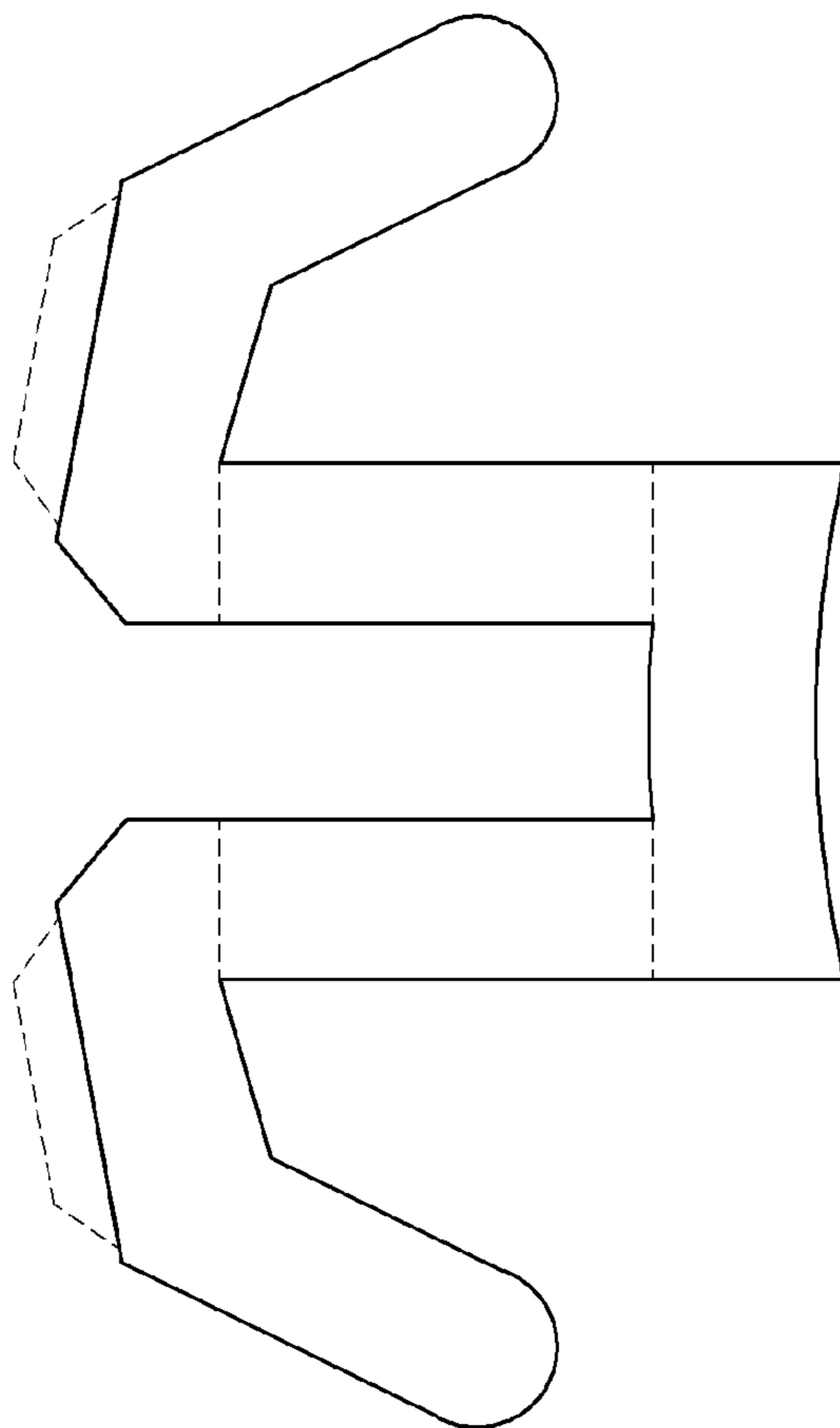


FIG. 11

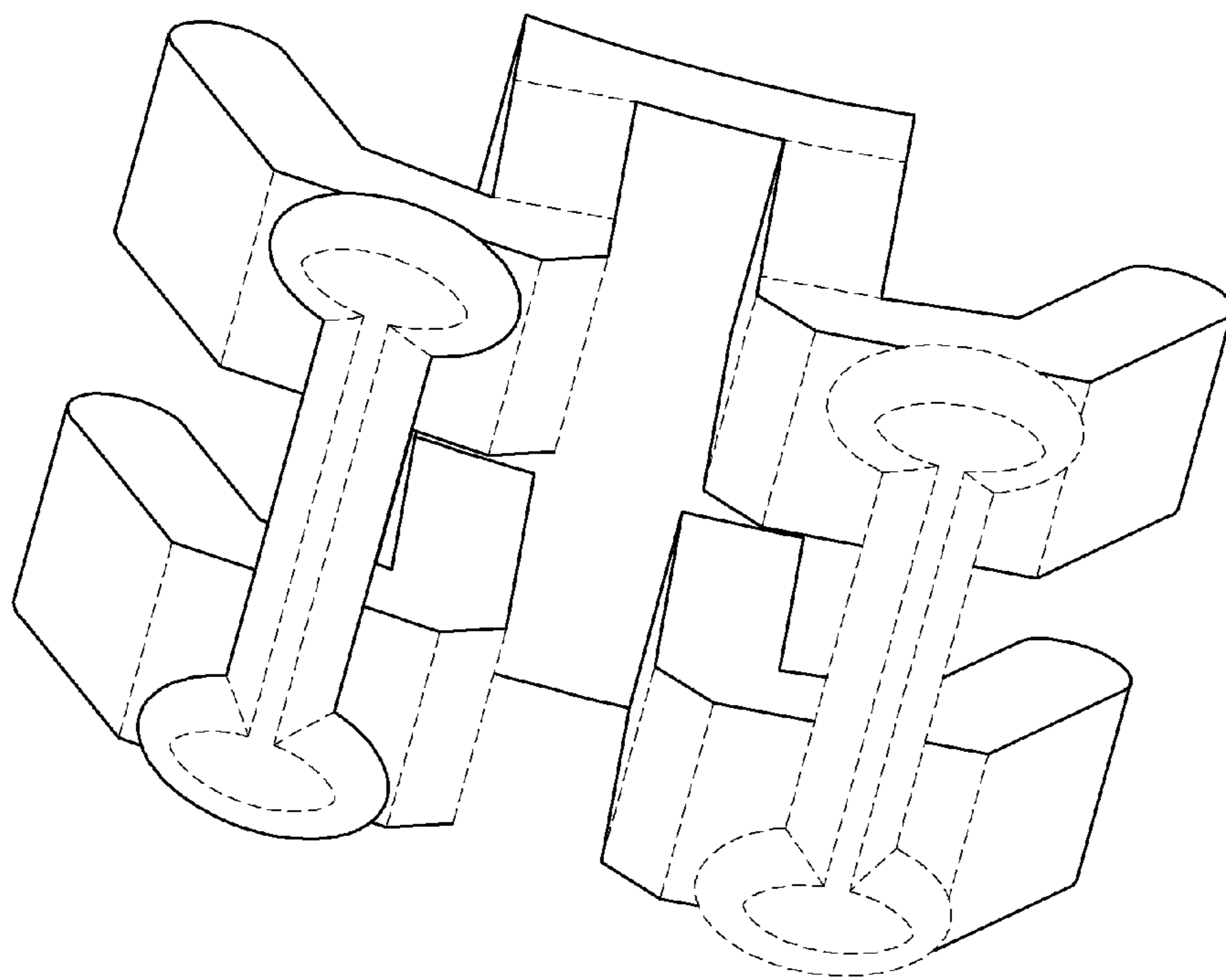


FIG. 12

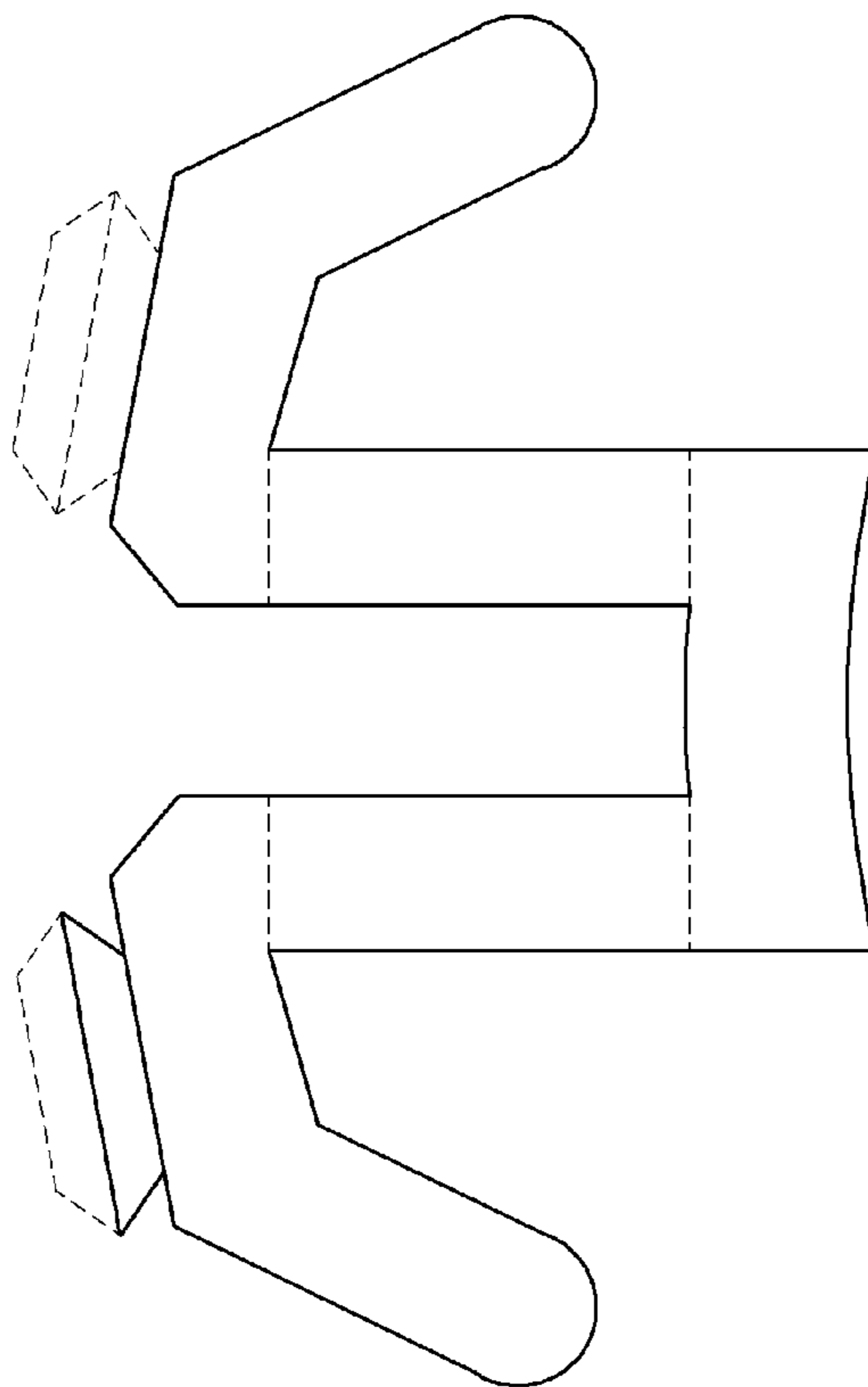


FIG. 13

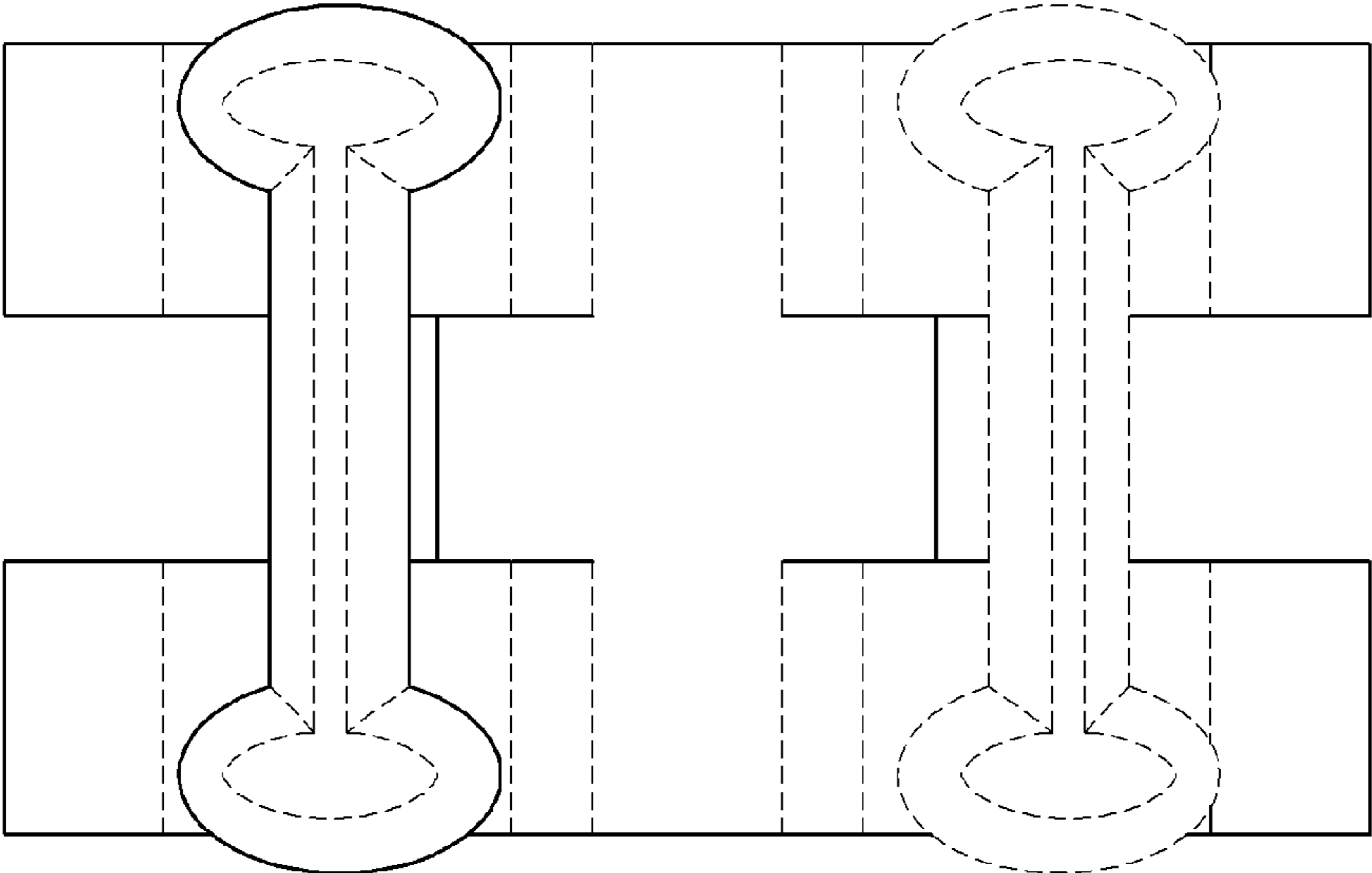


FIG. 15

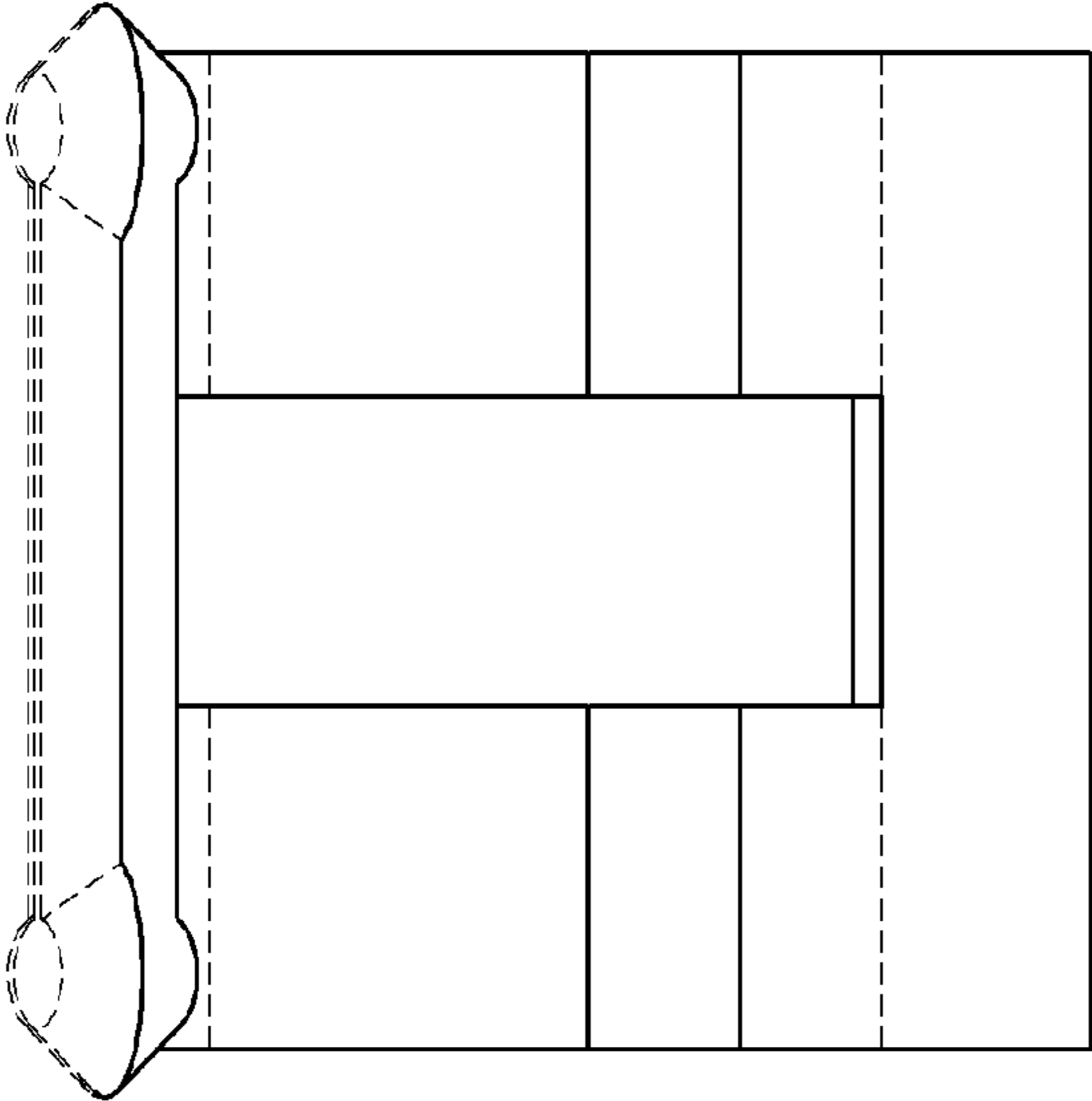


FIG. 14

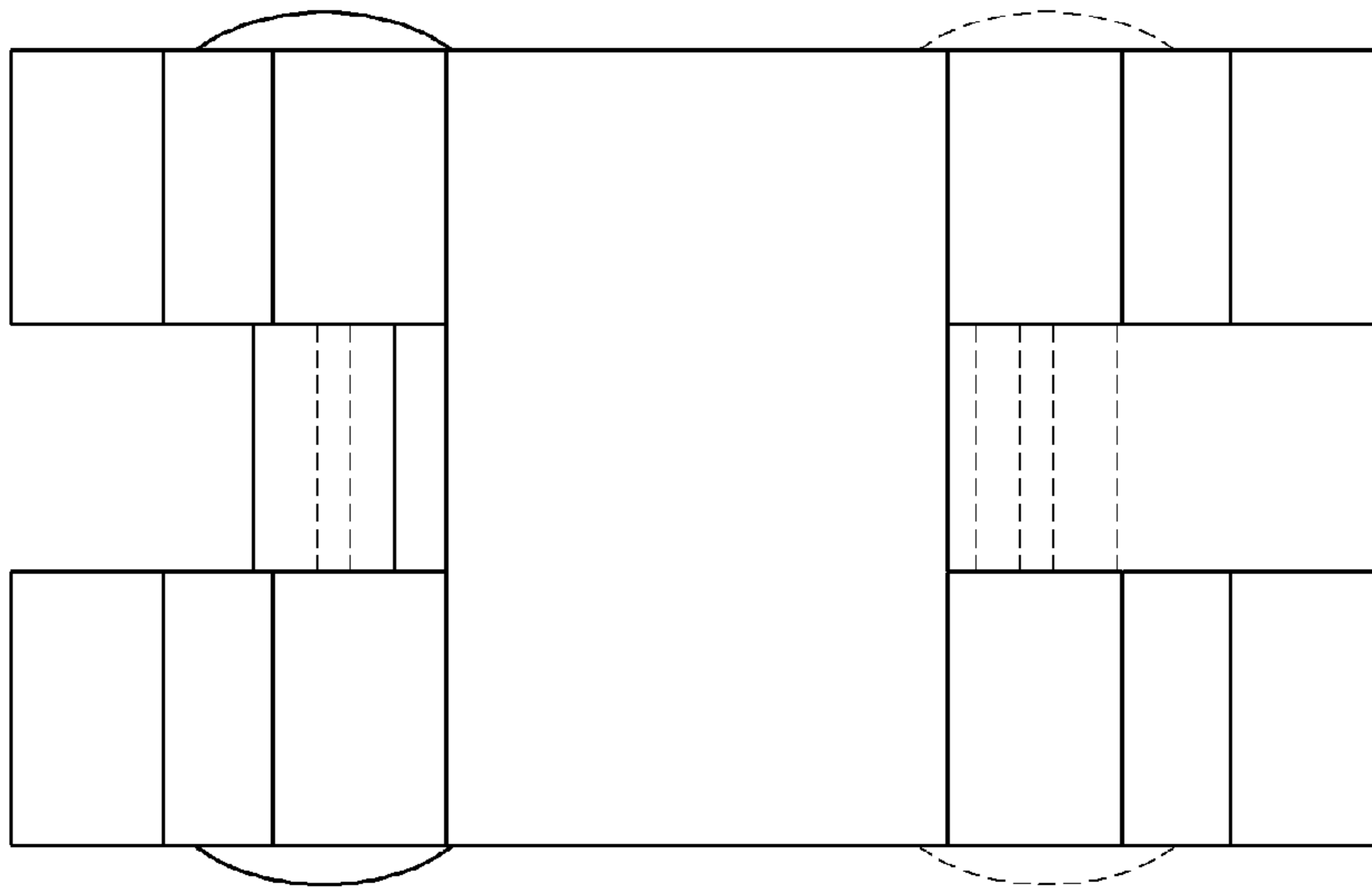


FIG. 16

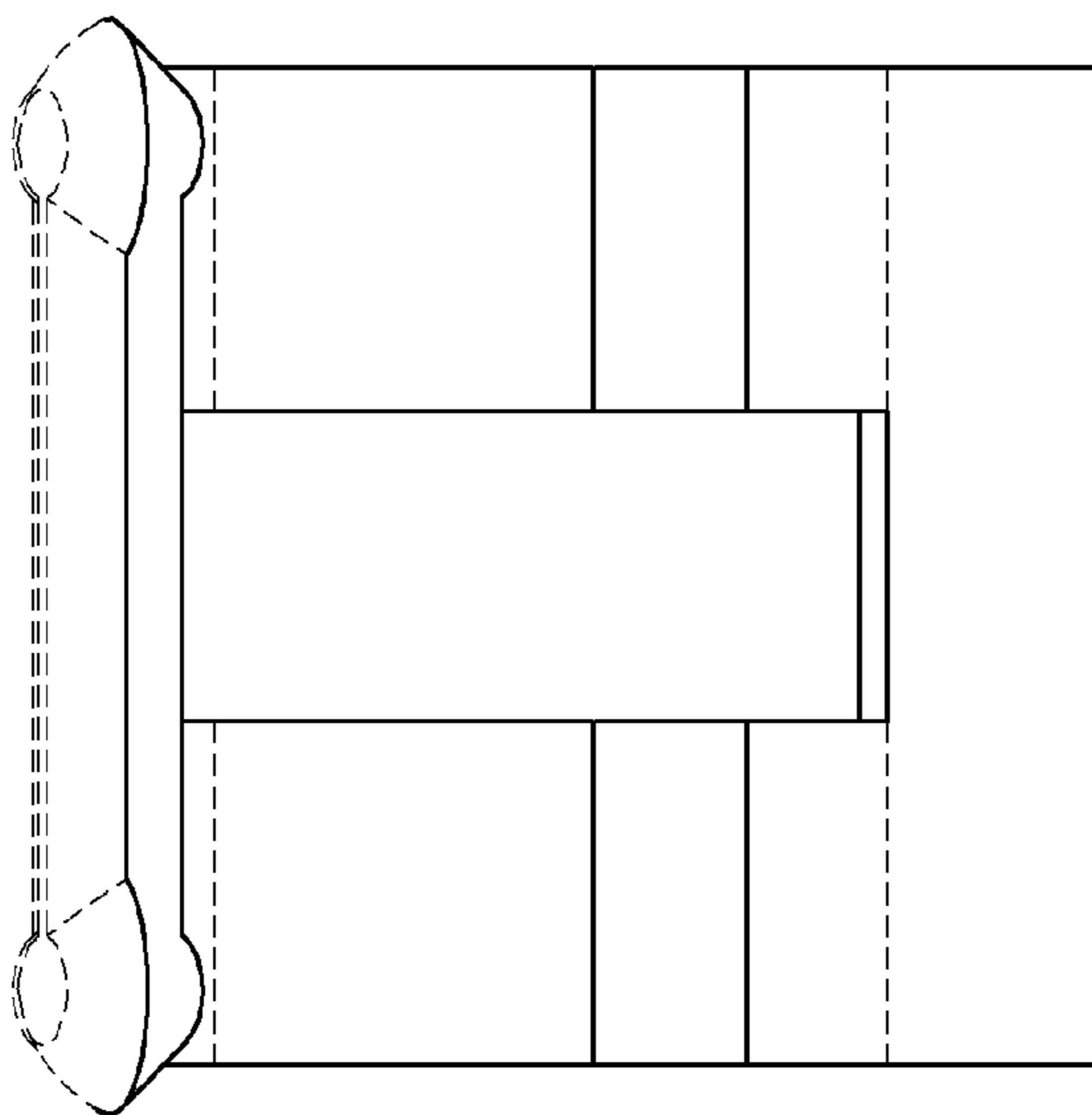


FIG. 17

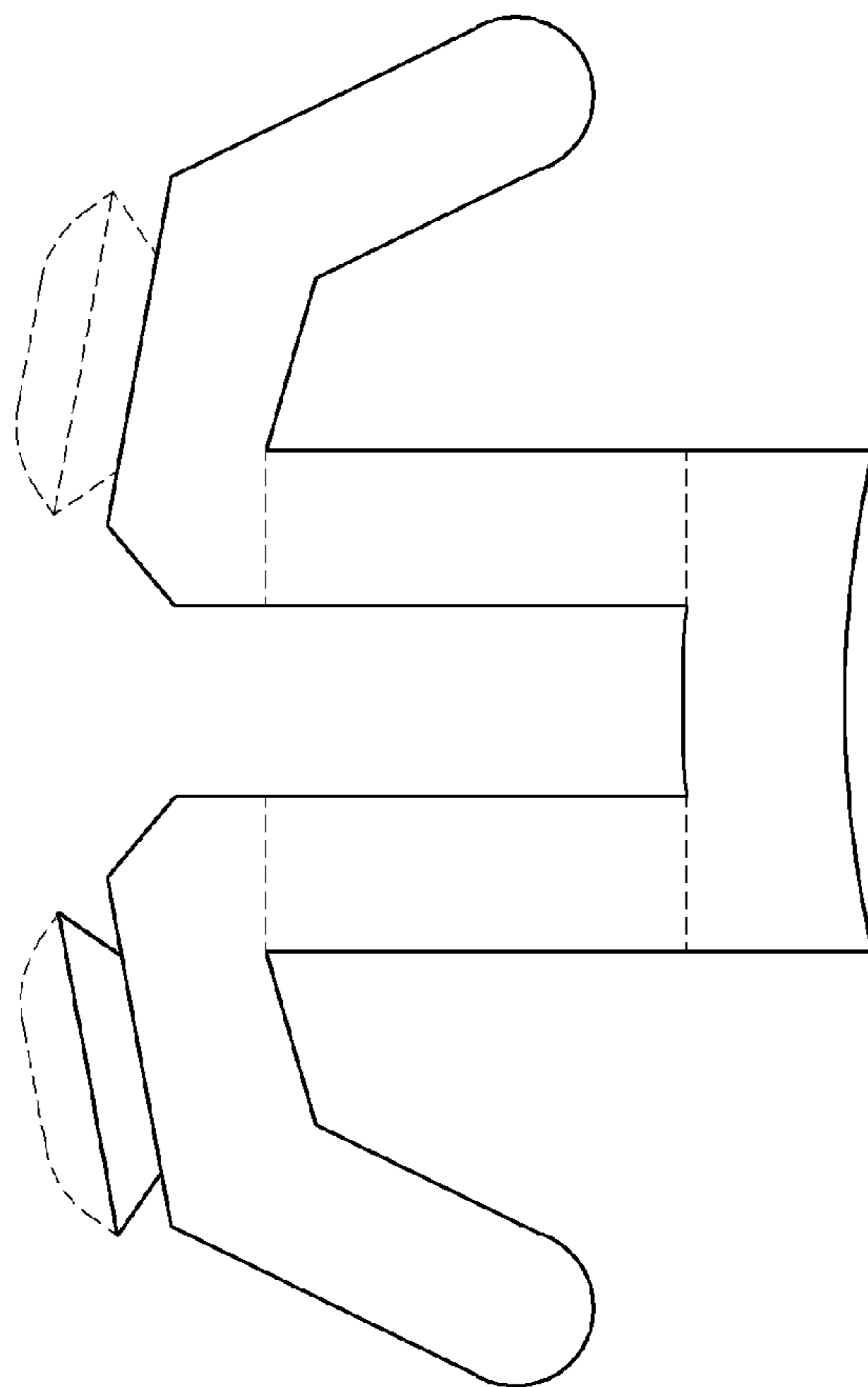


FIG. 18

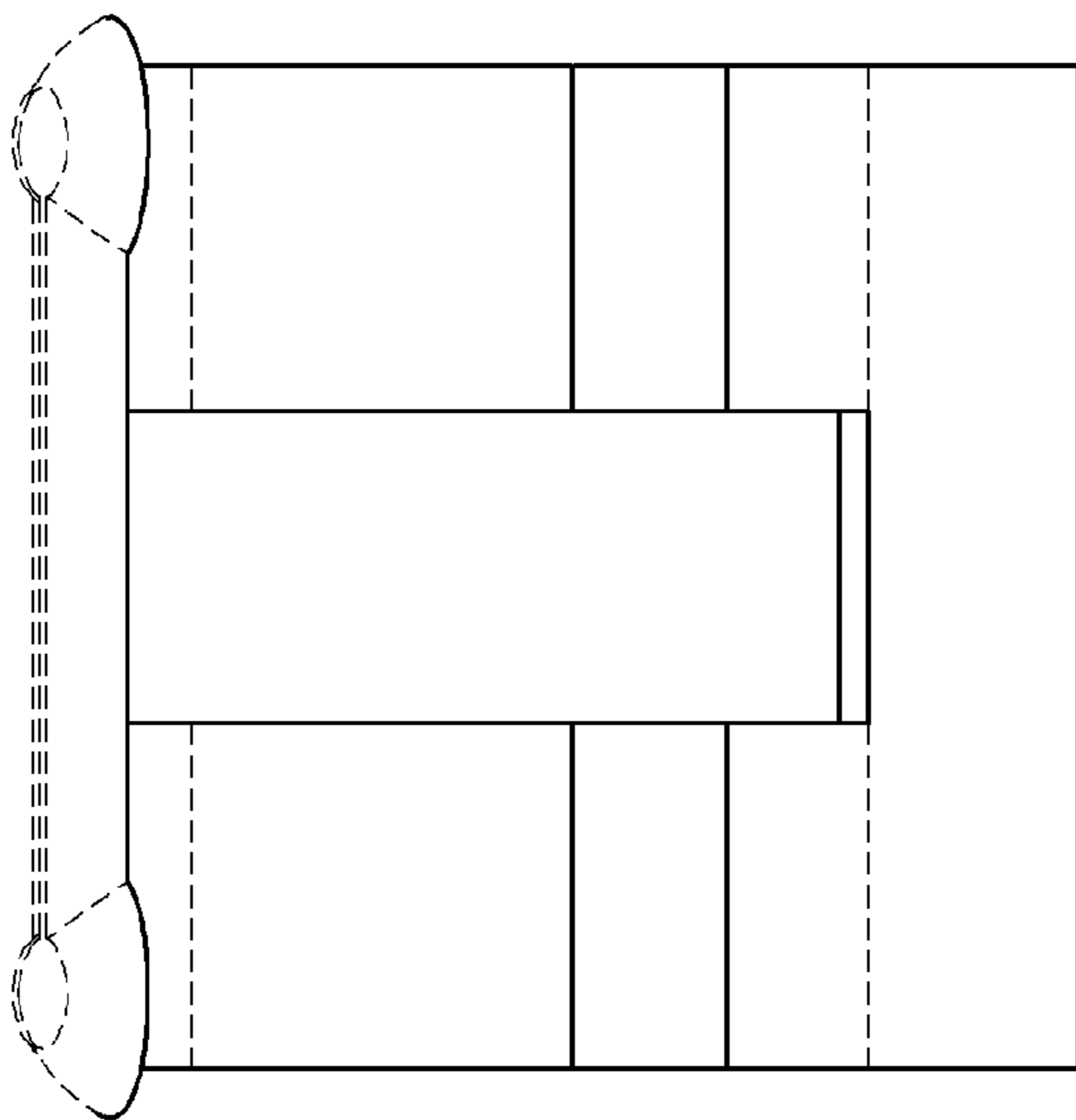


FIG. 19

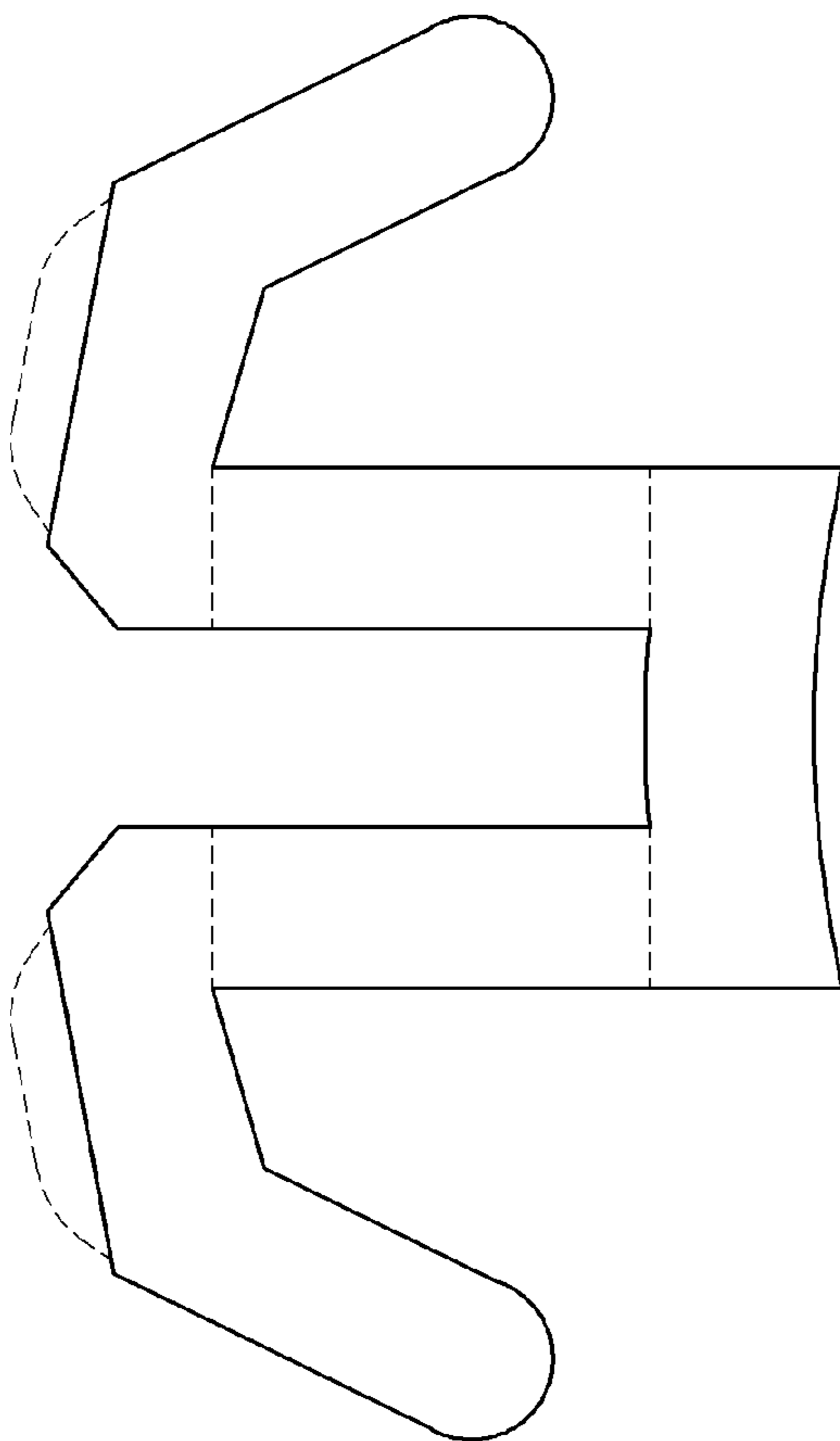


FIG. 20

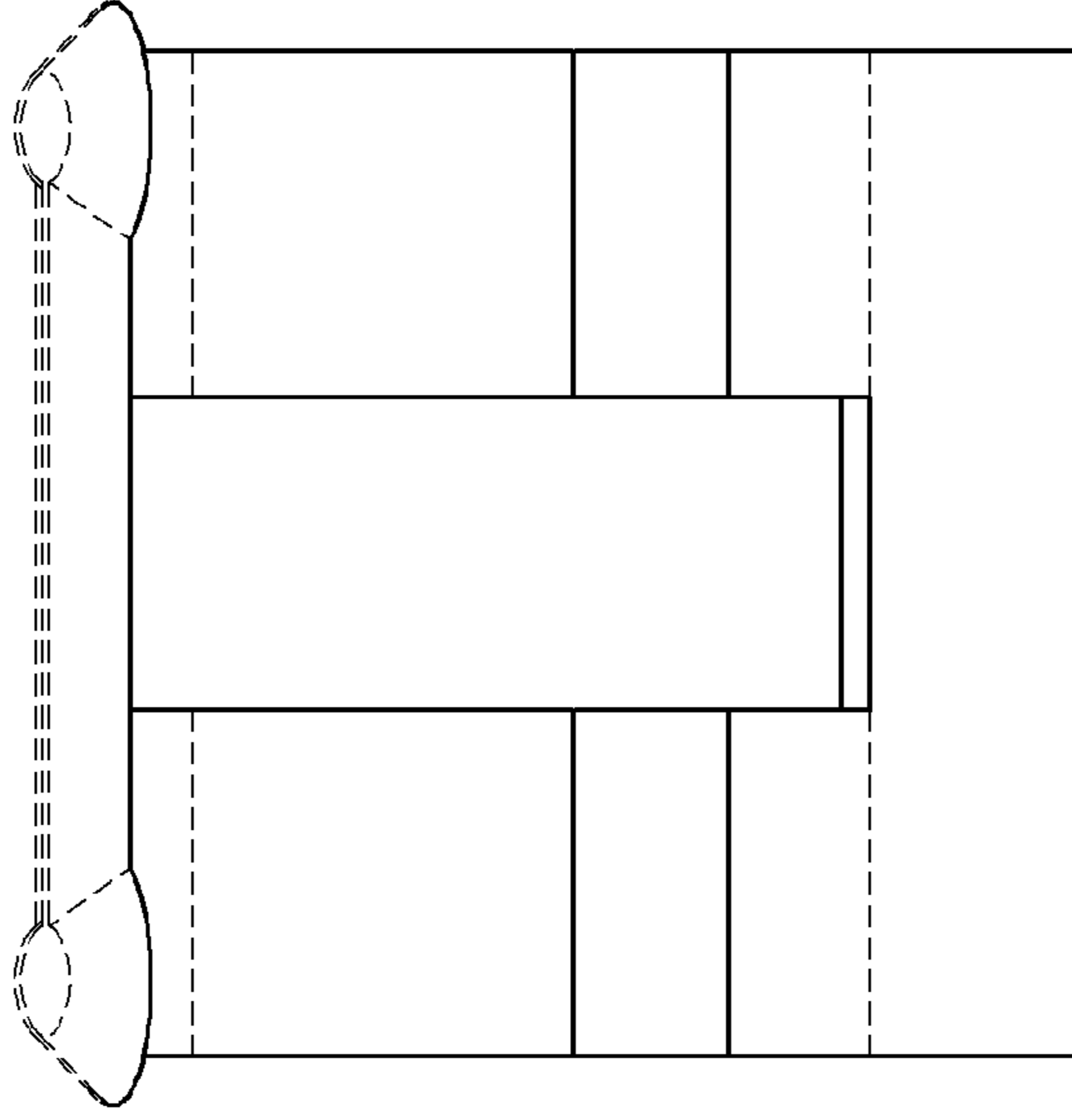


FIG. 21

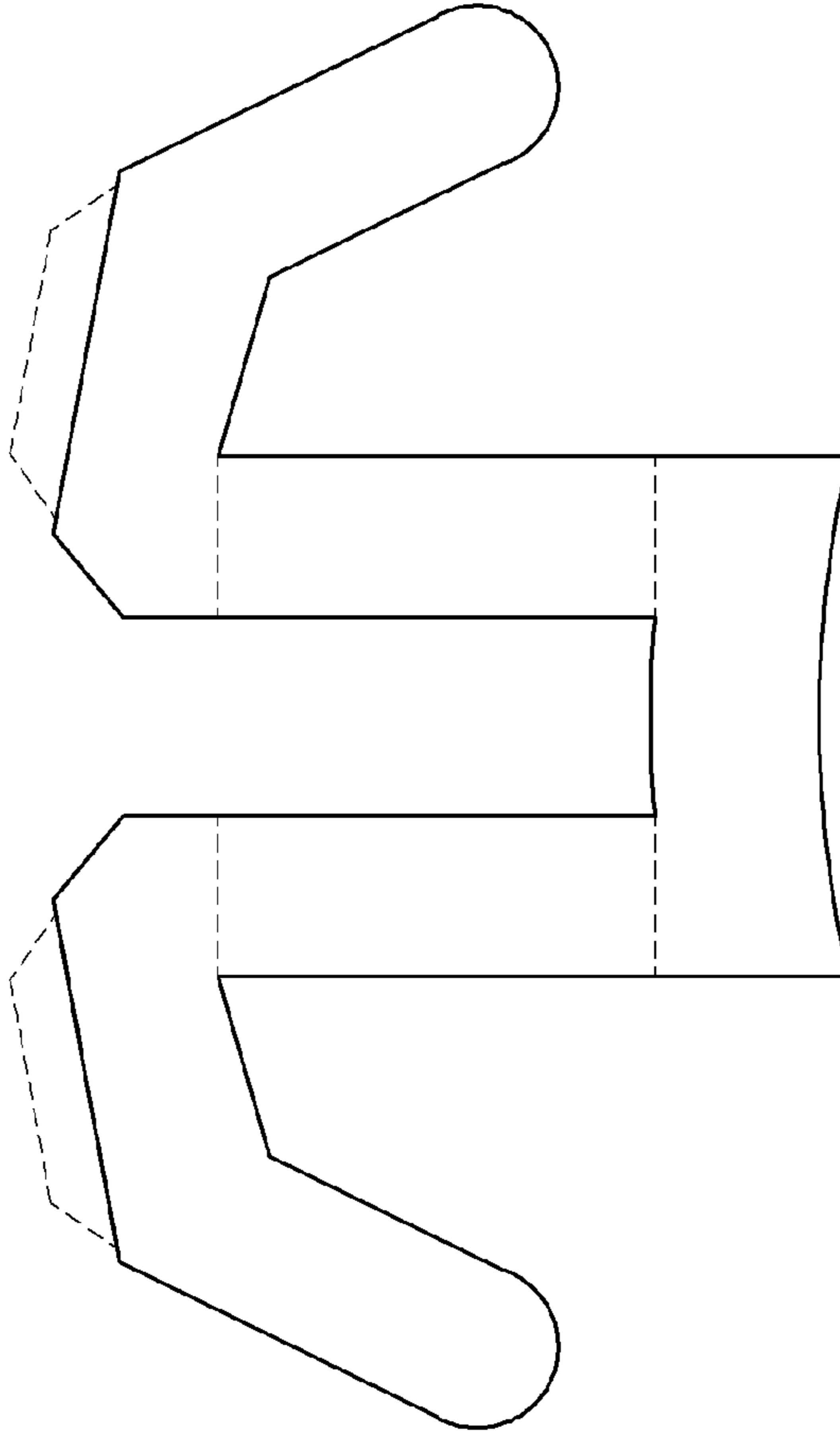


FIG. 22

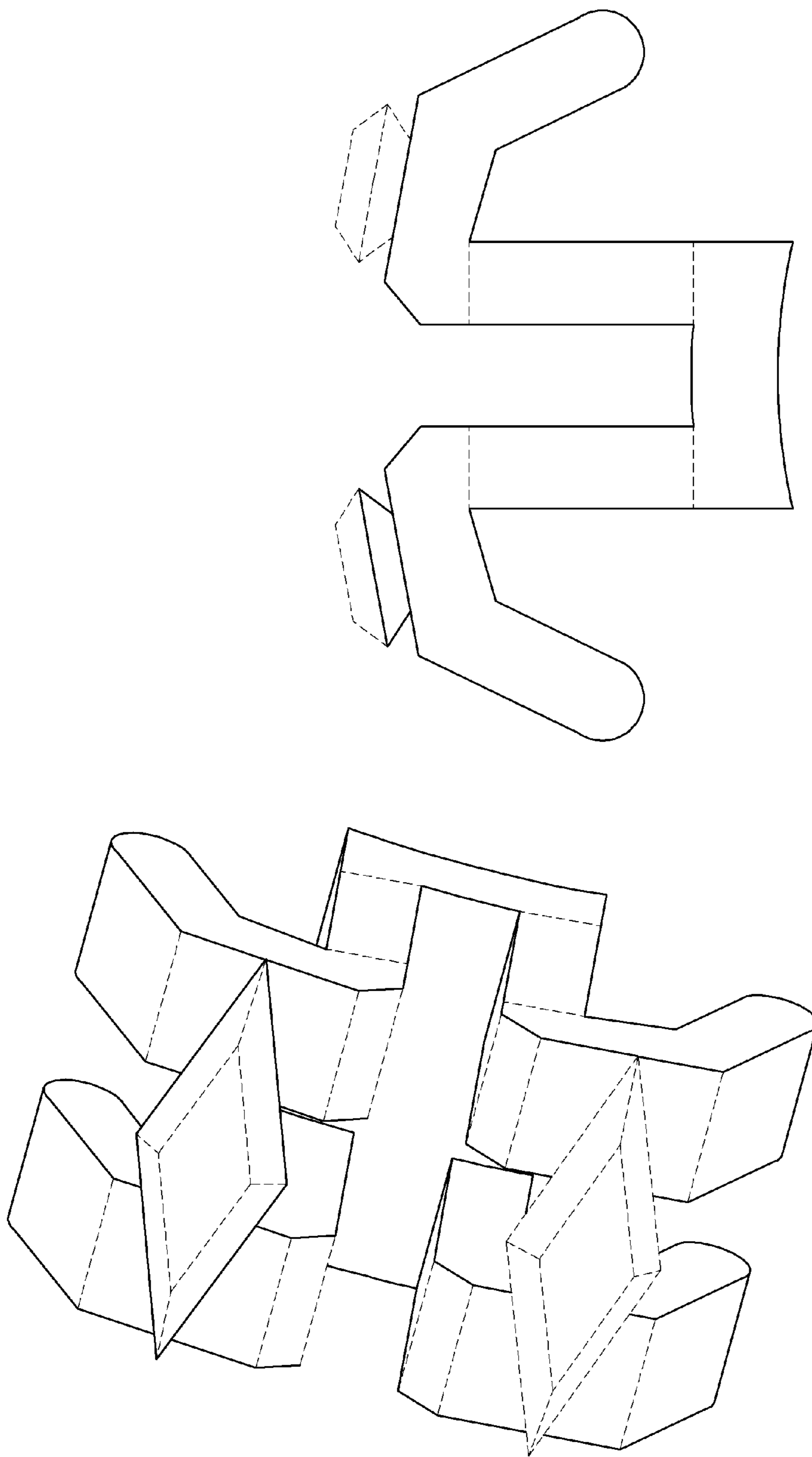


FIG. 24

FIG. 23

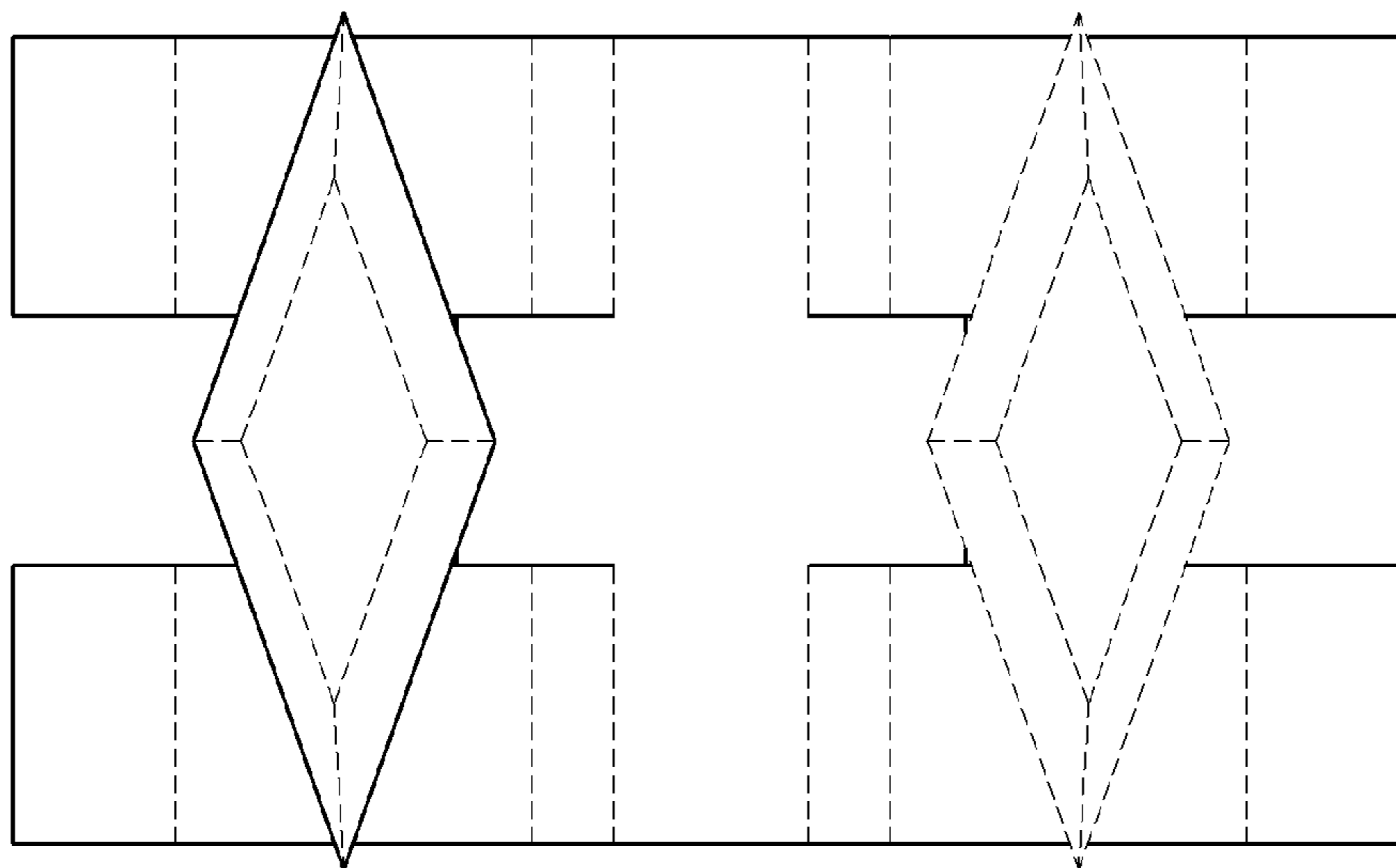


FIG. 26

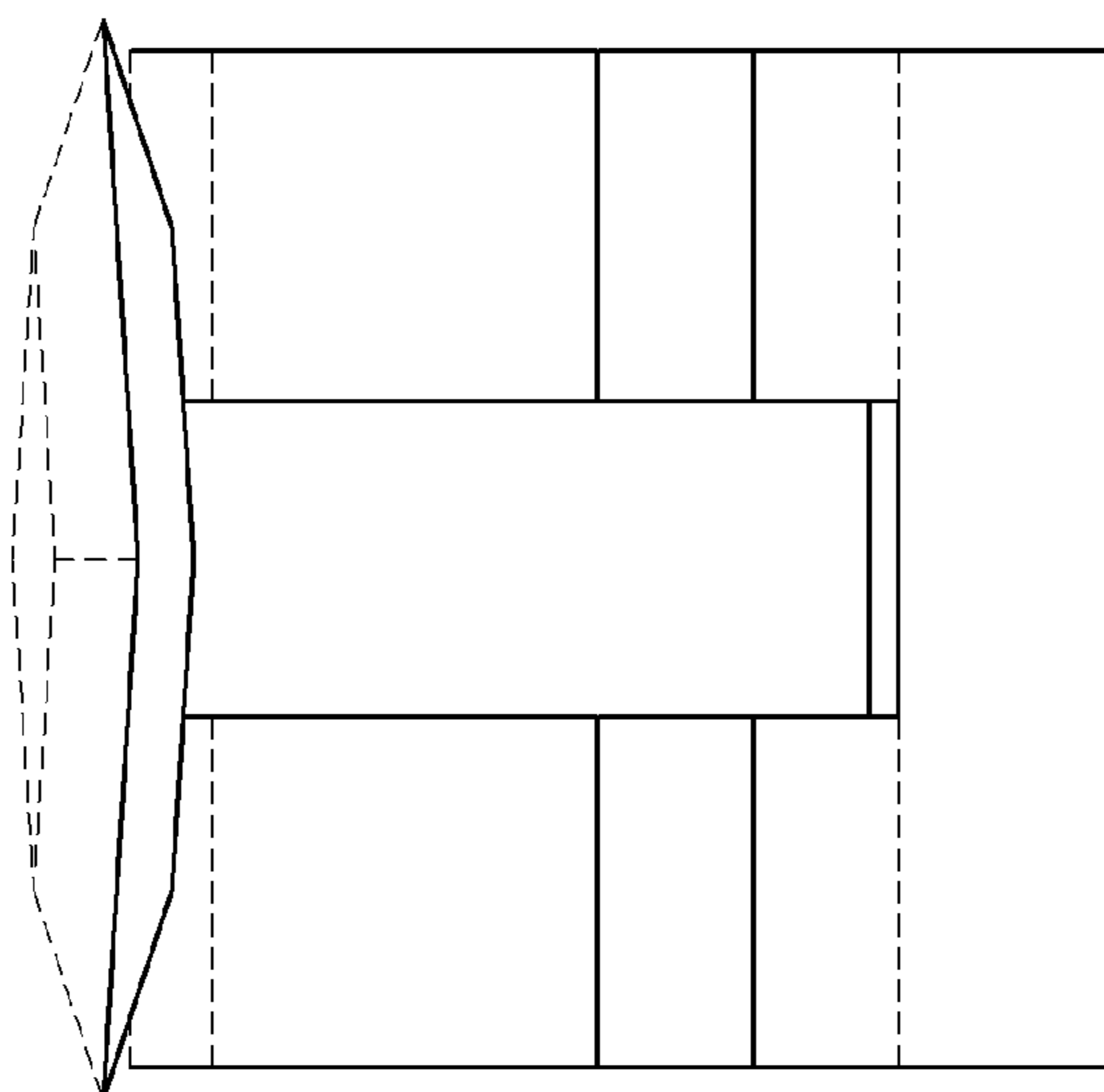


FIG. 25

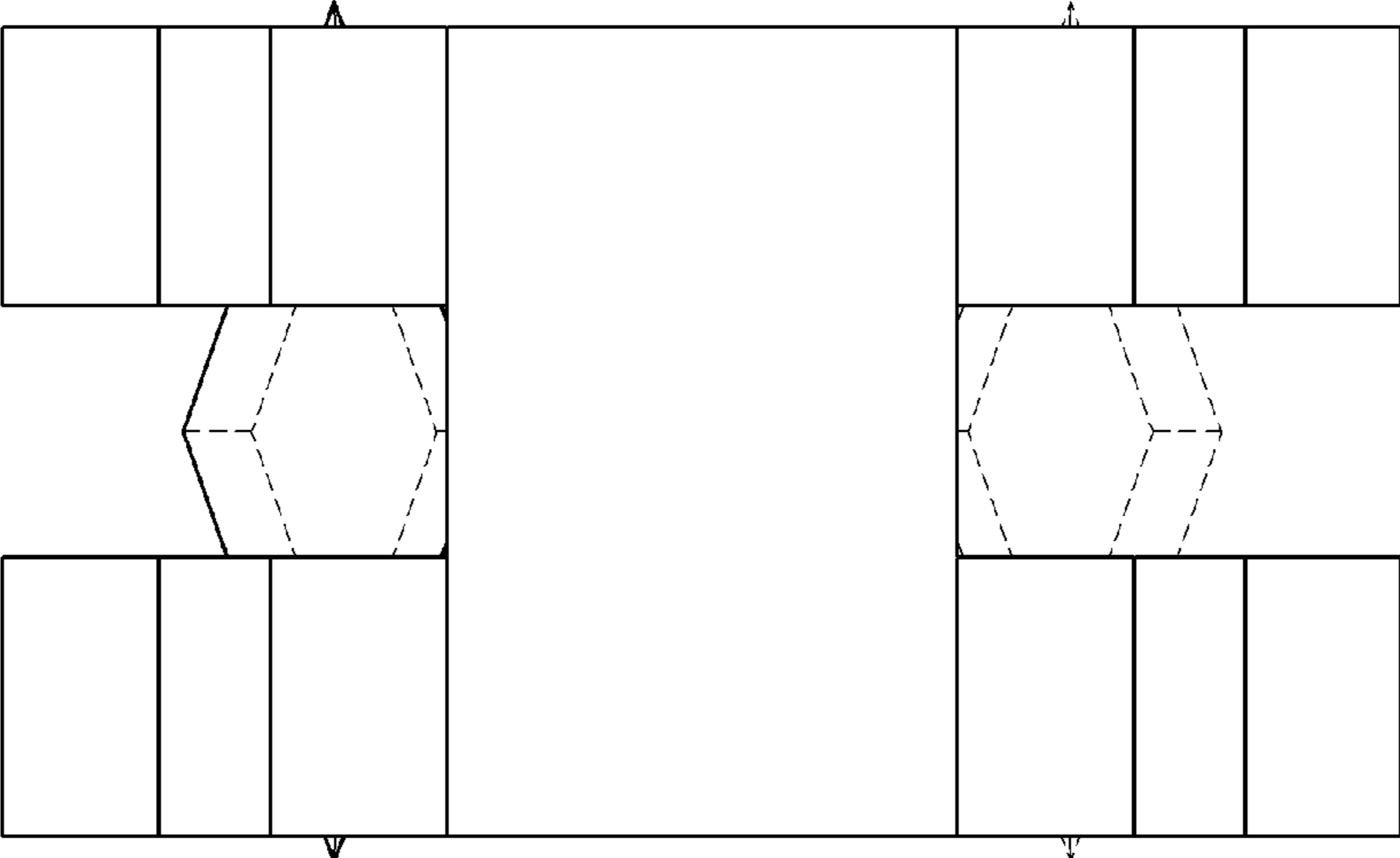


FIG. 27

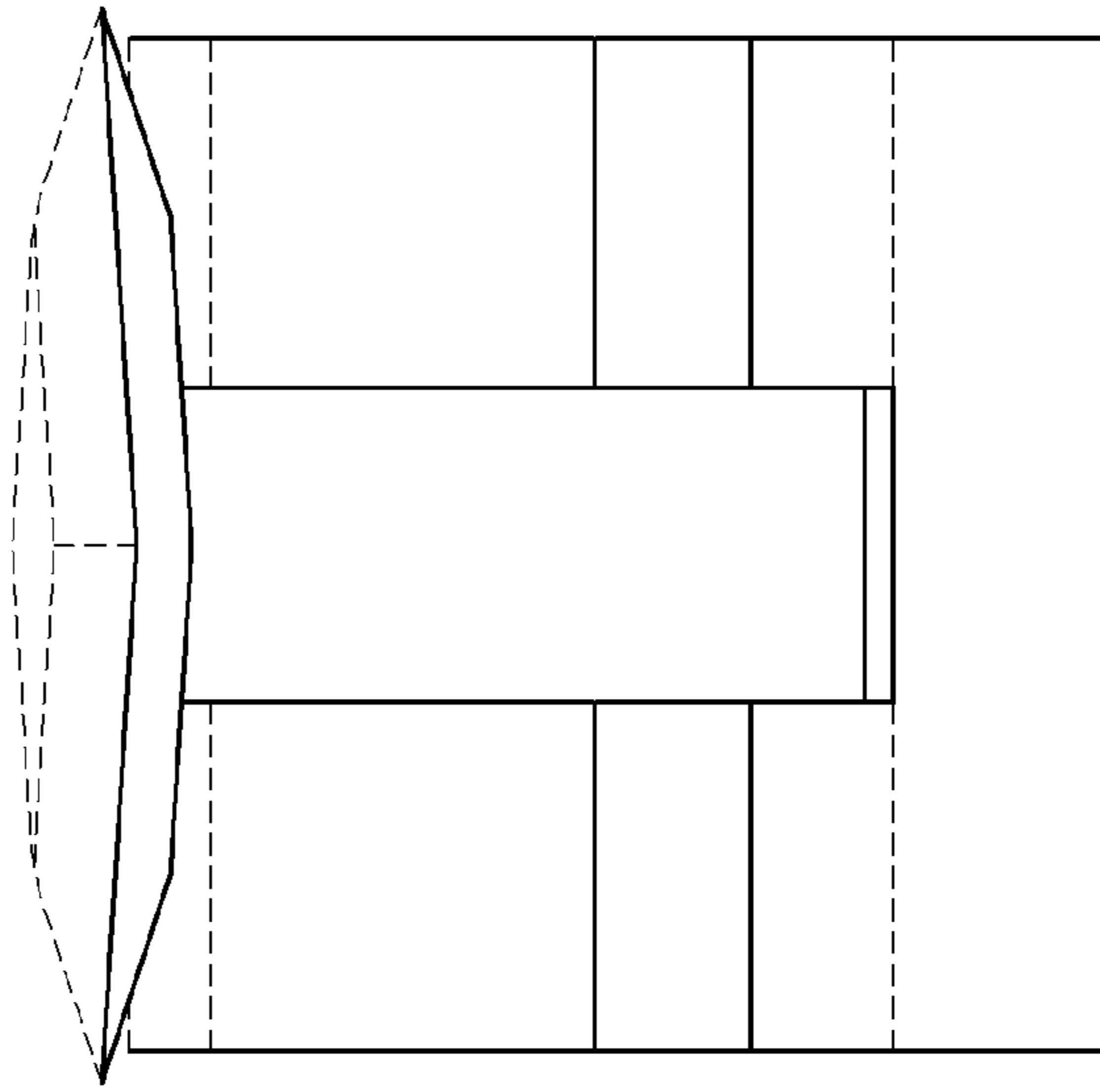


FIG. 28

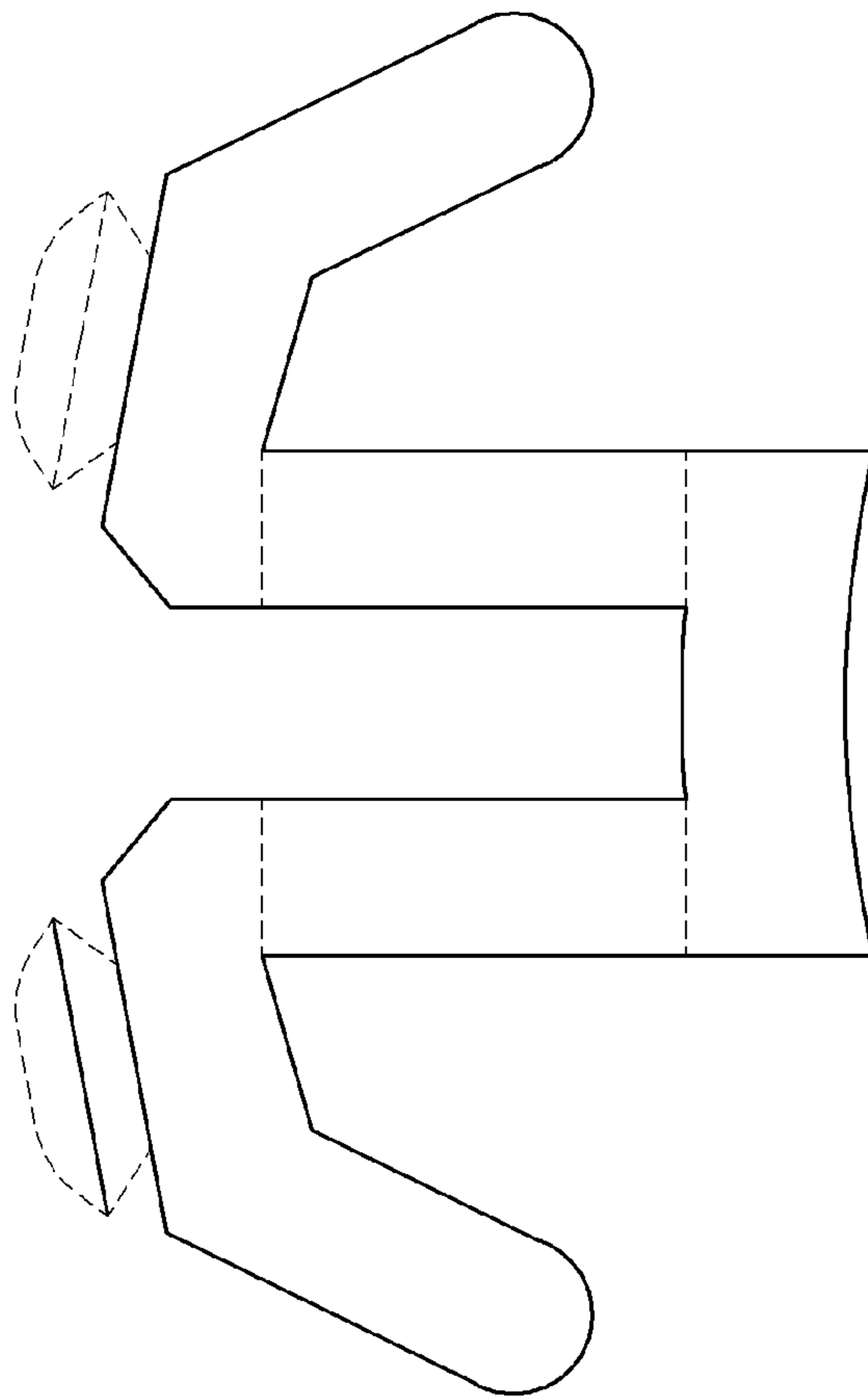


FIG. 29

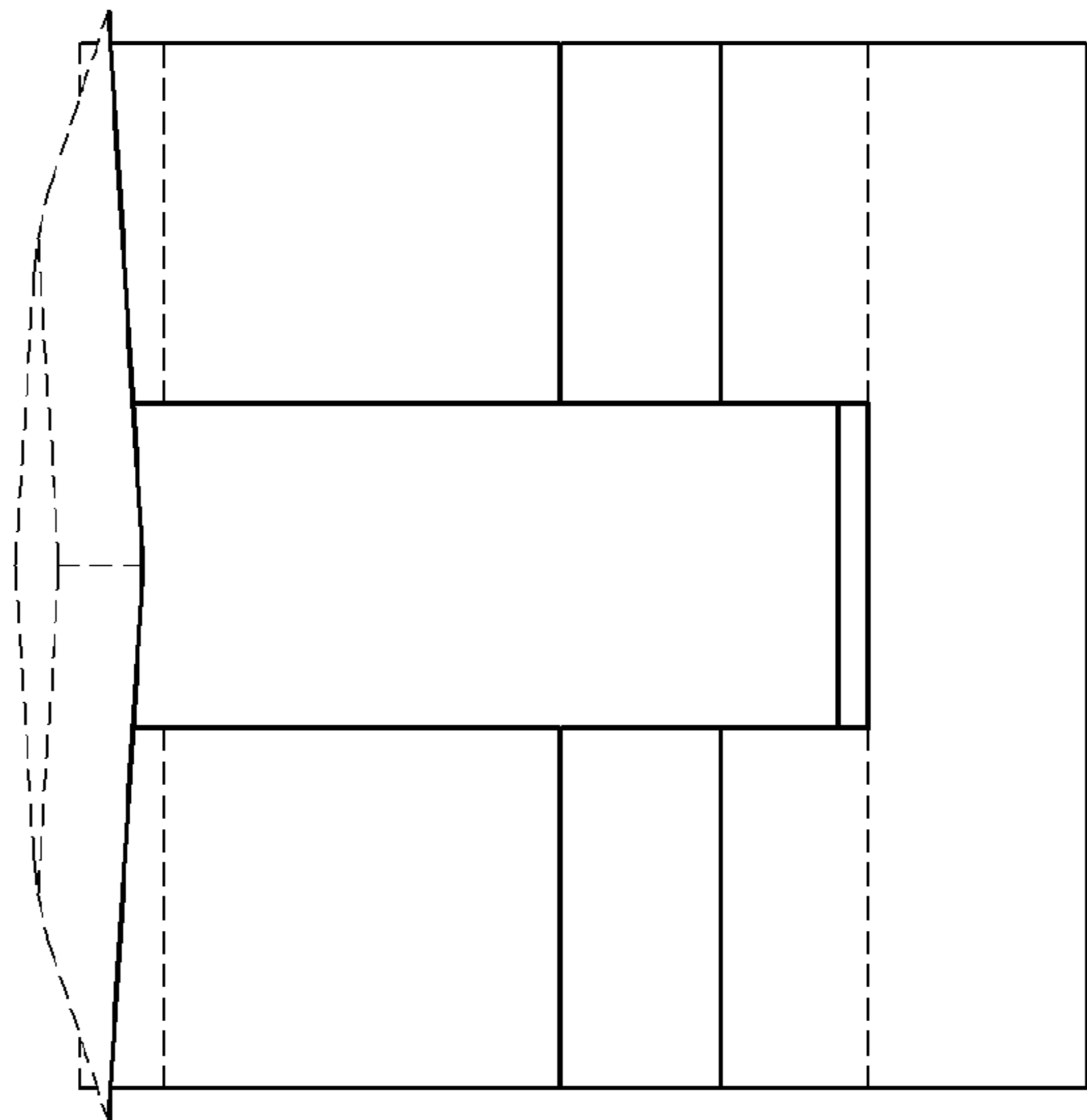


FIG. 30

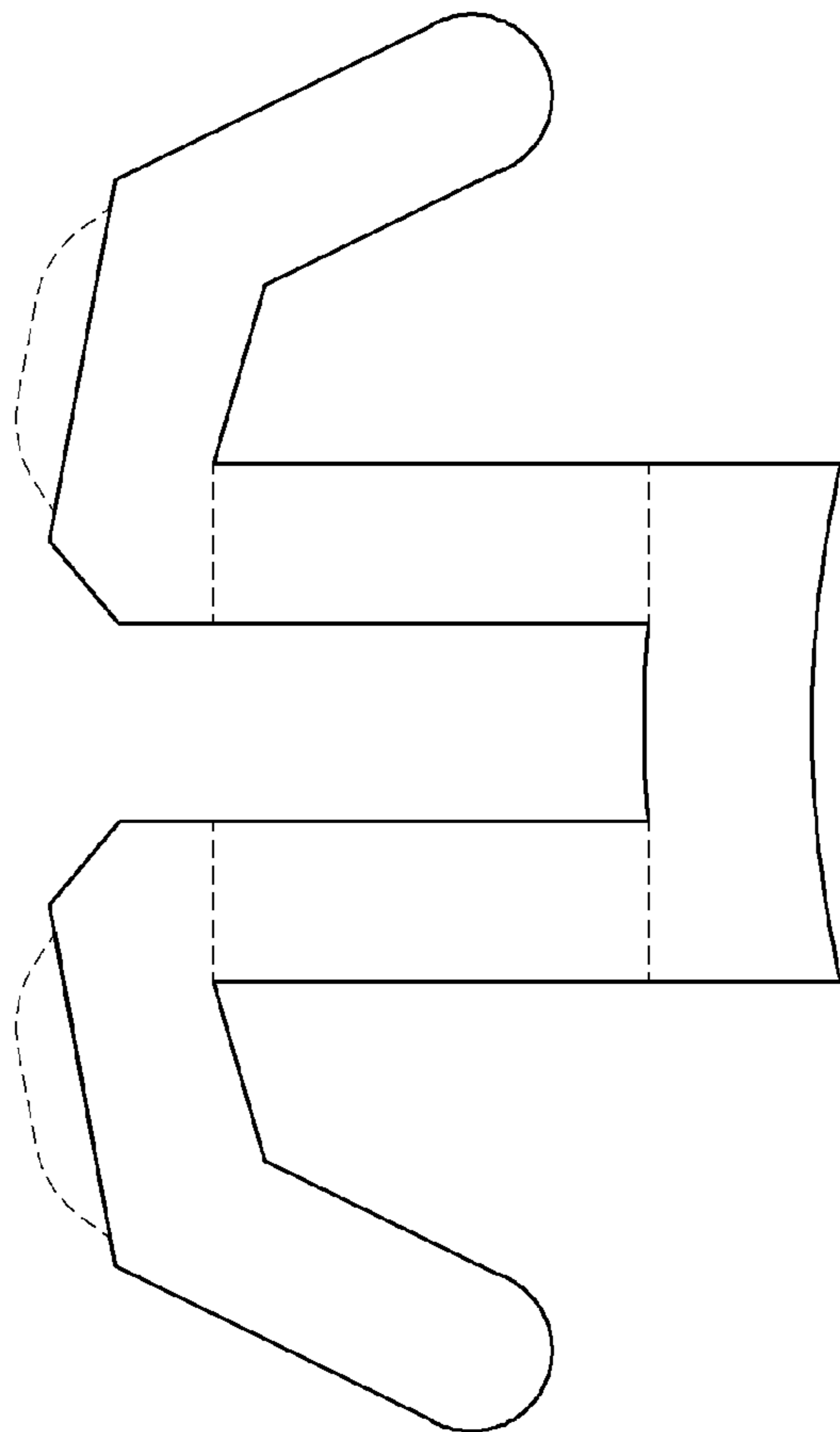


FIG. 31

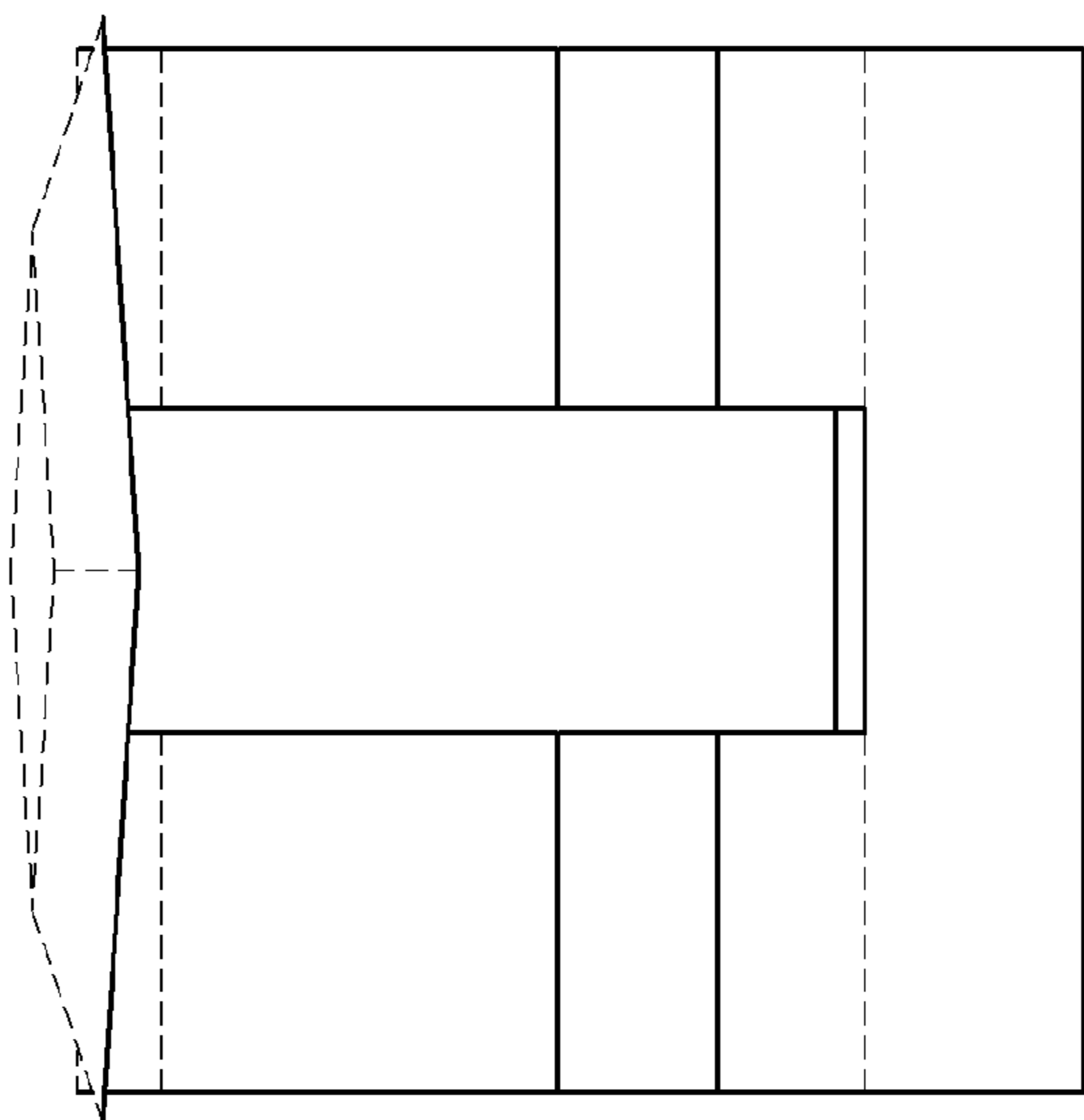


FIG. 32

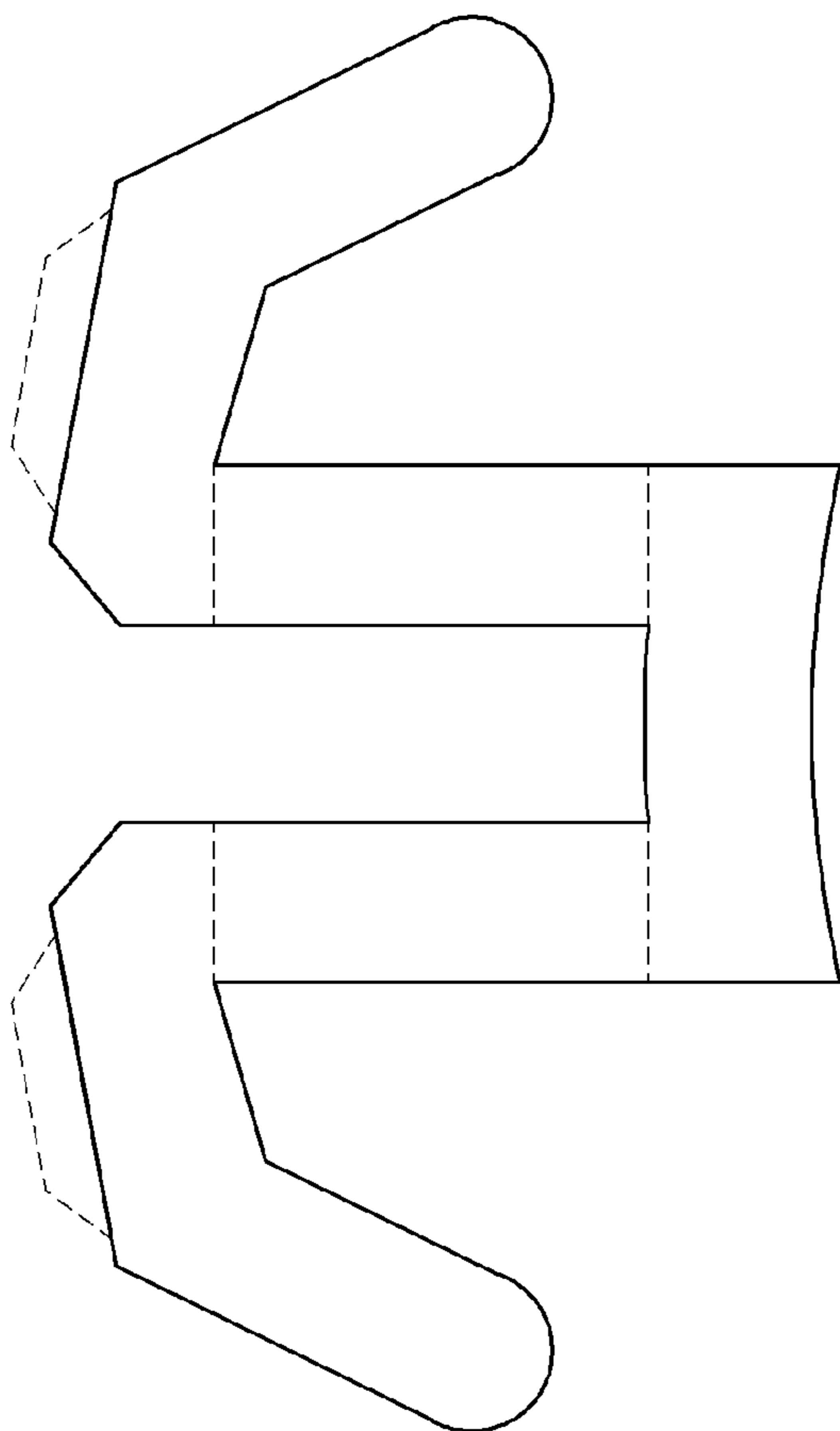


FIG. 33

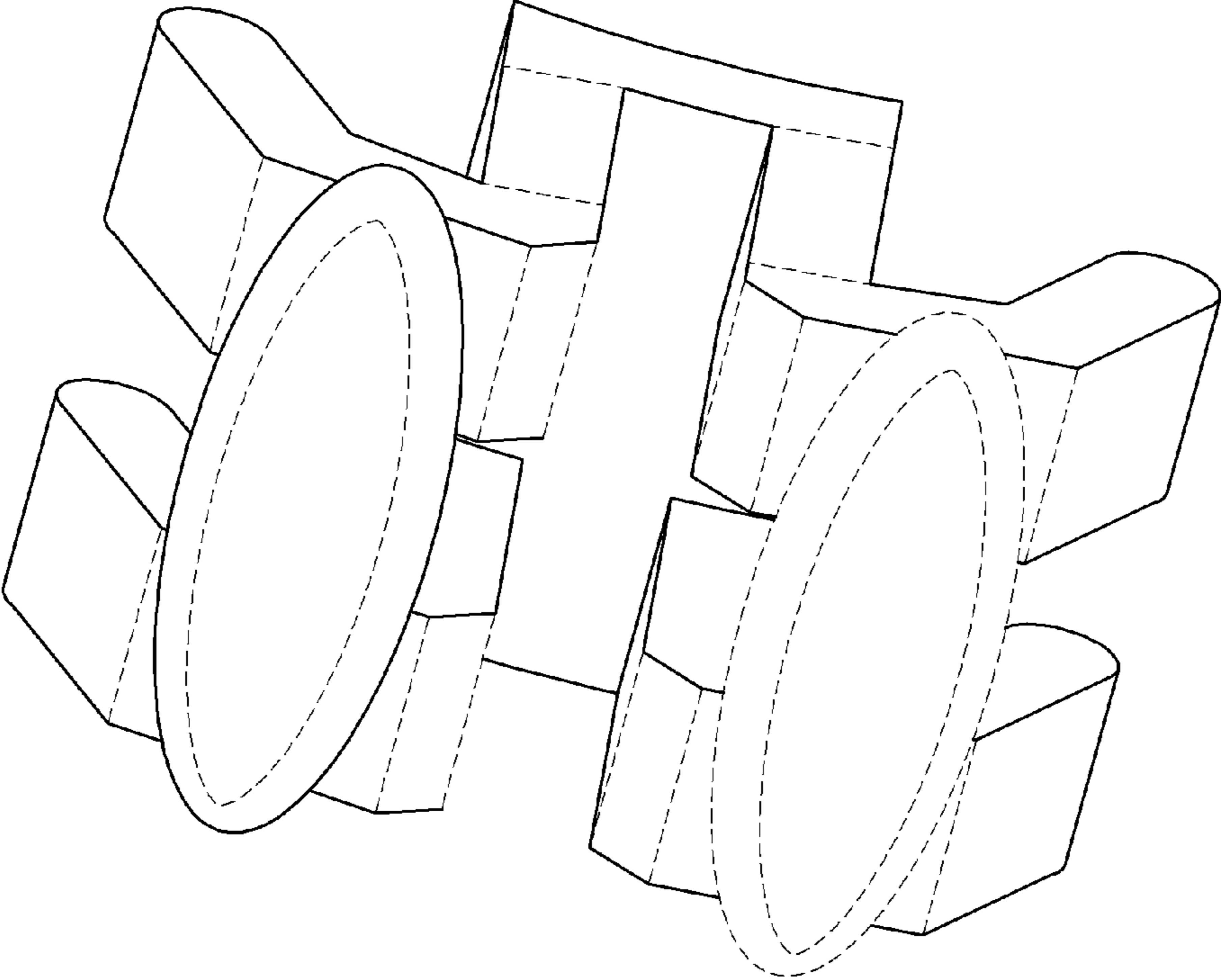


FIG. 34

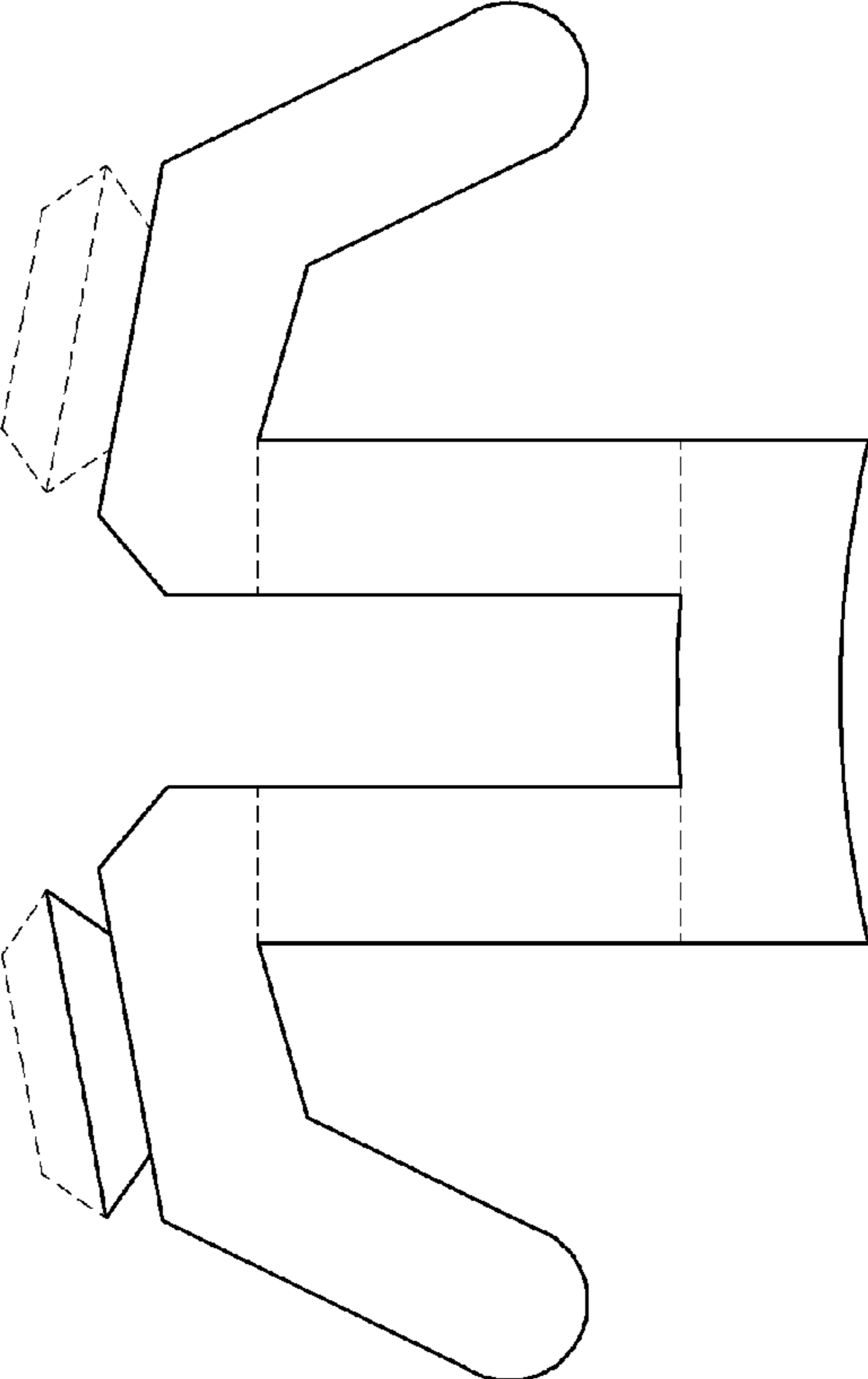


FIG. 35

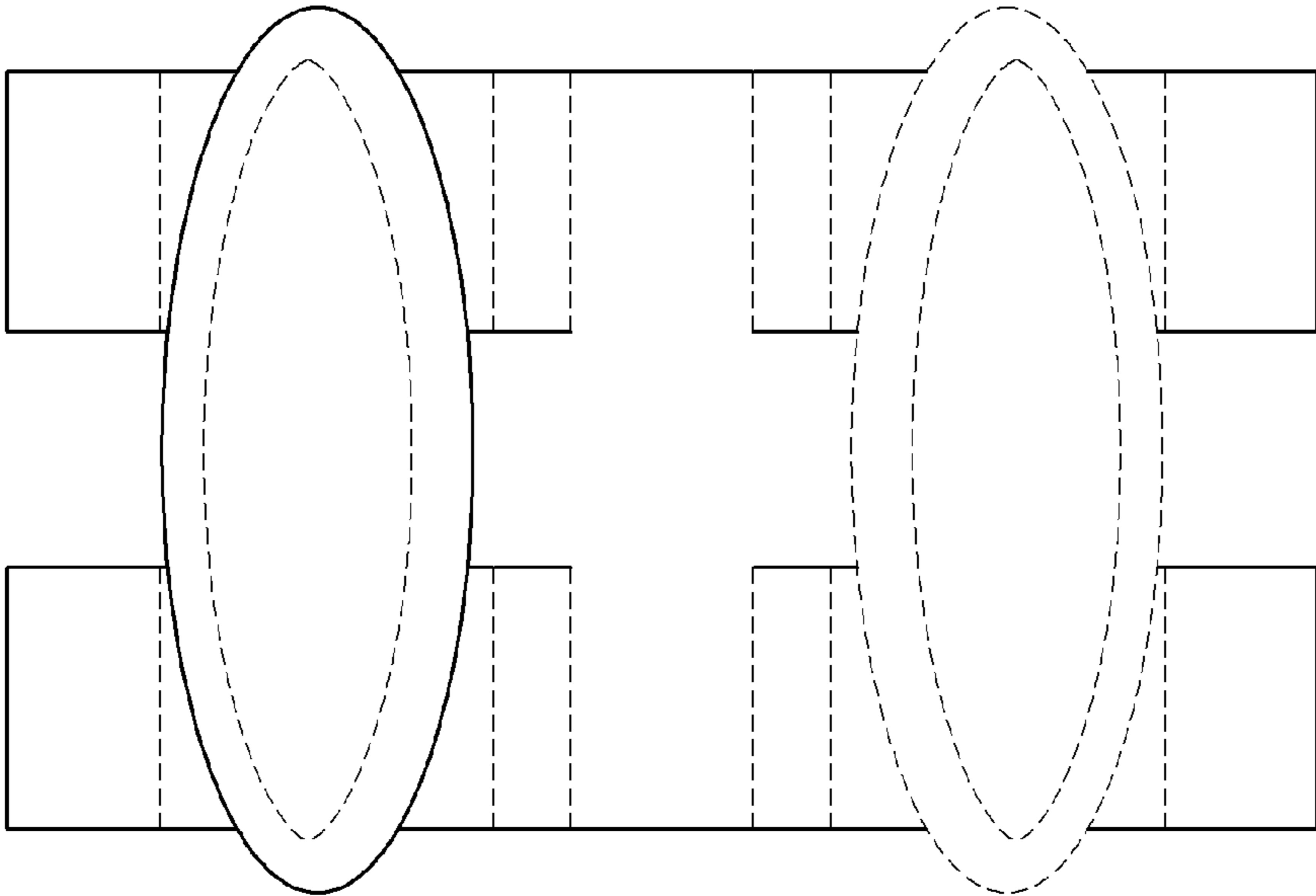


FIG. 37

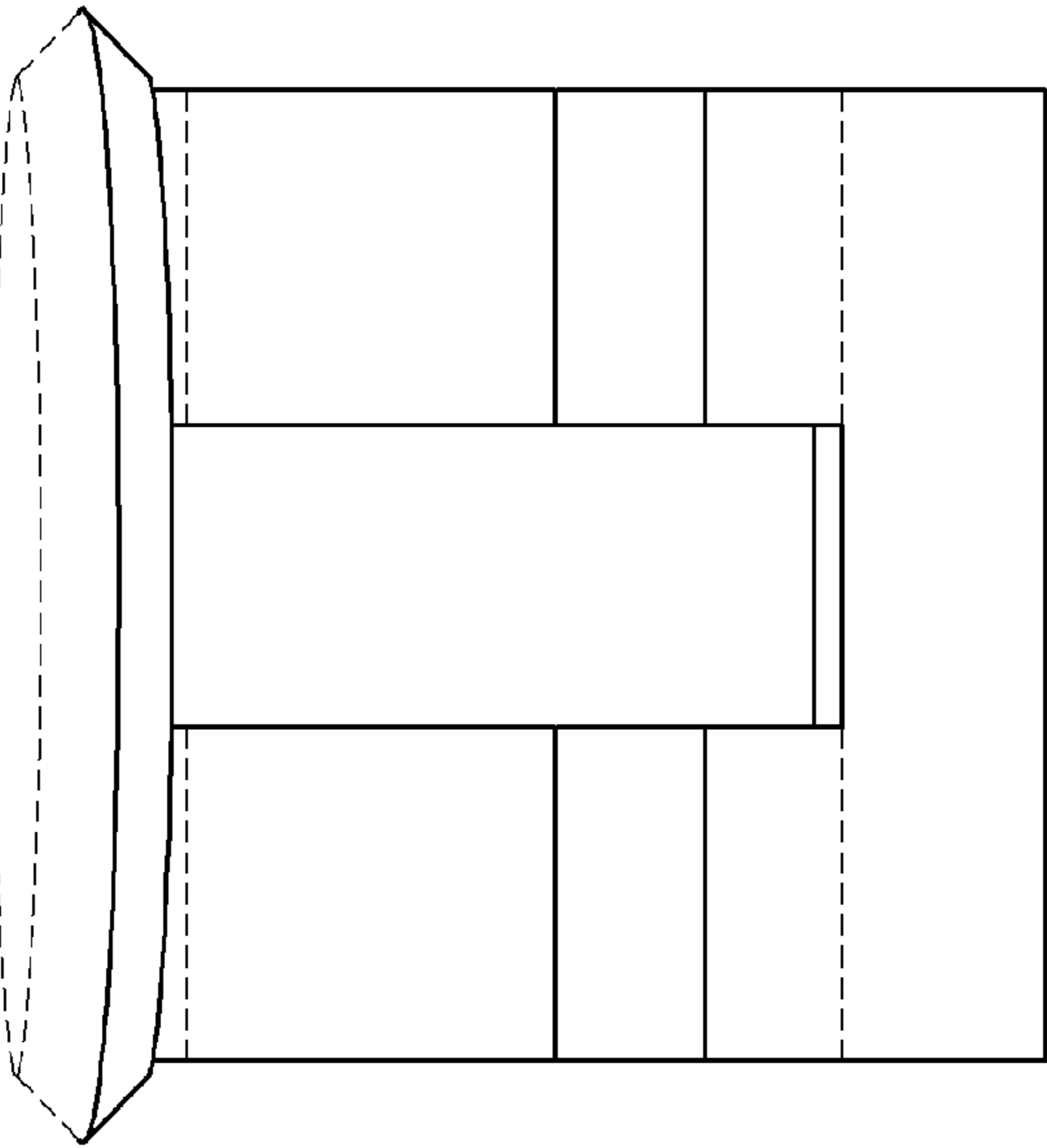


FIG. 36

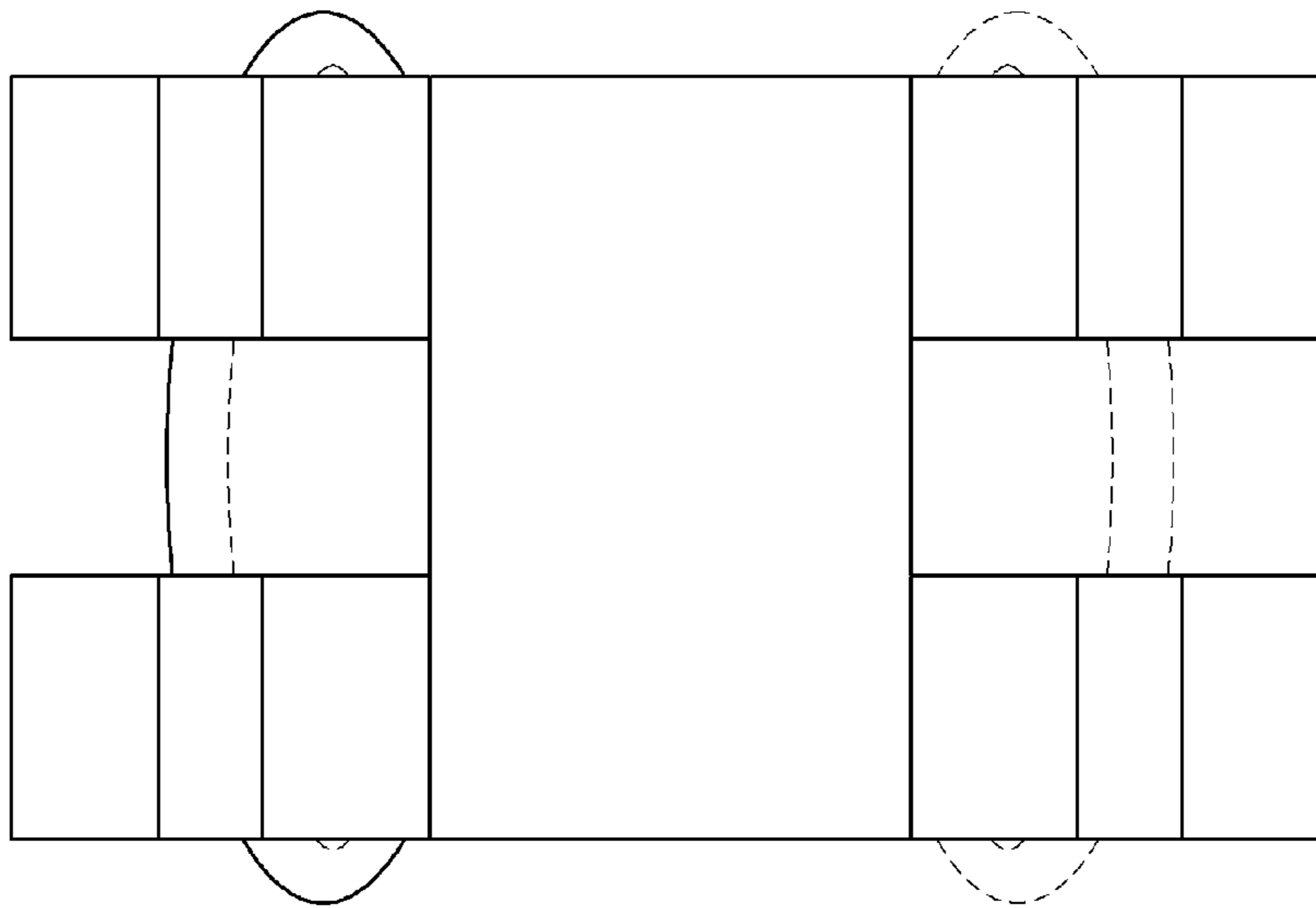


FIG. 38

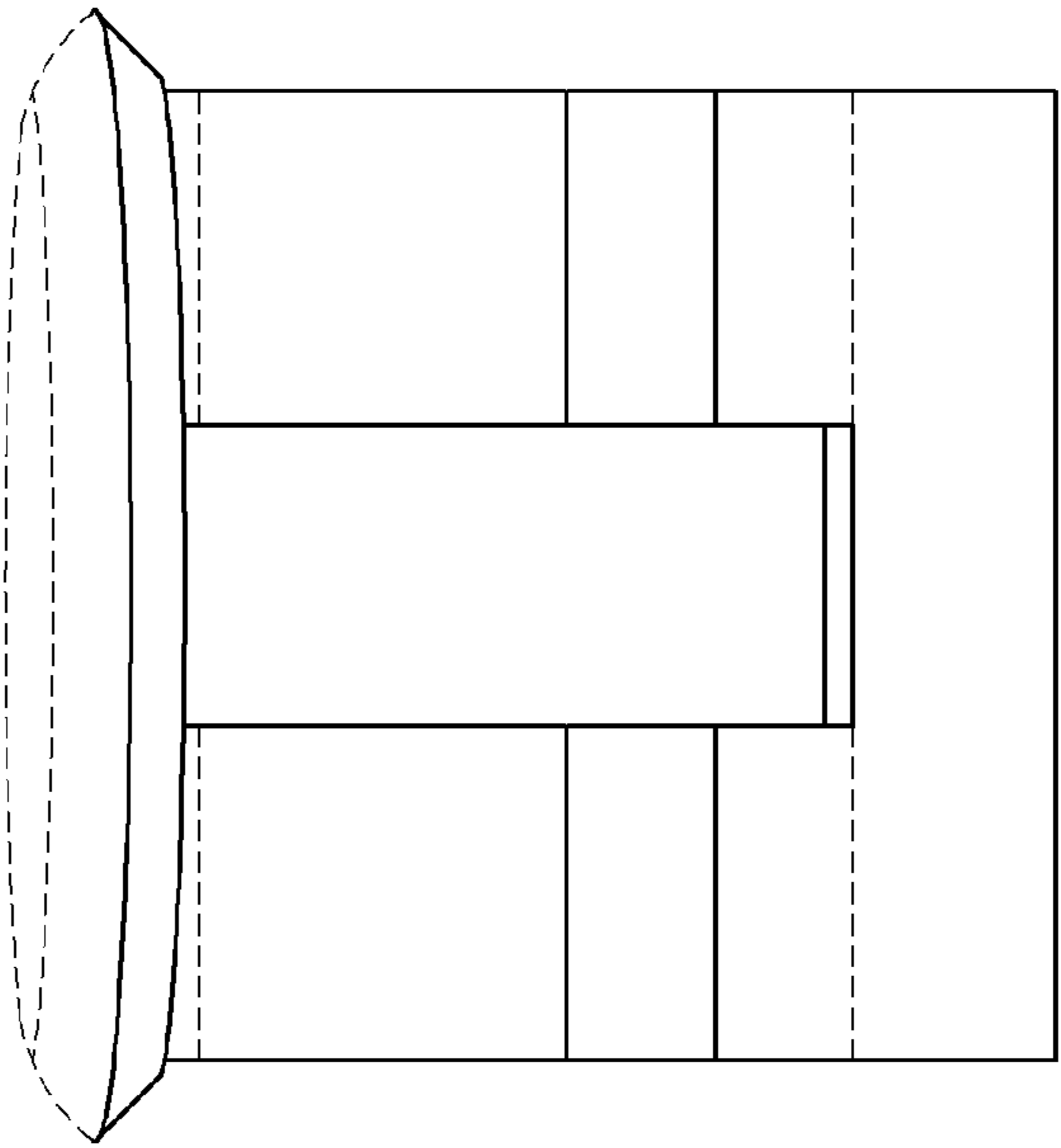


FIG. 40

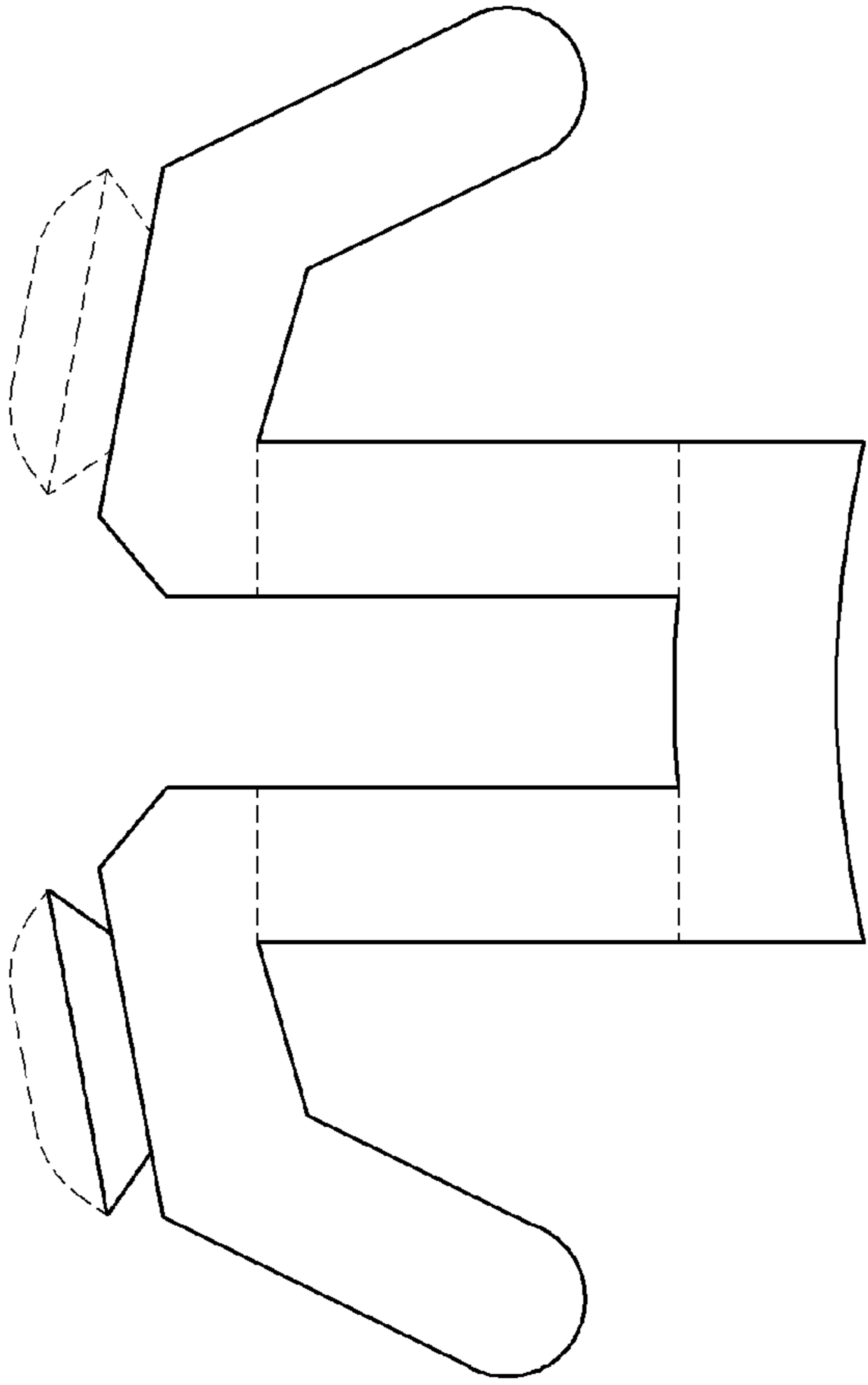


FIG. 39

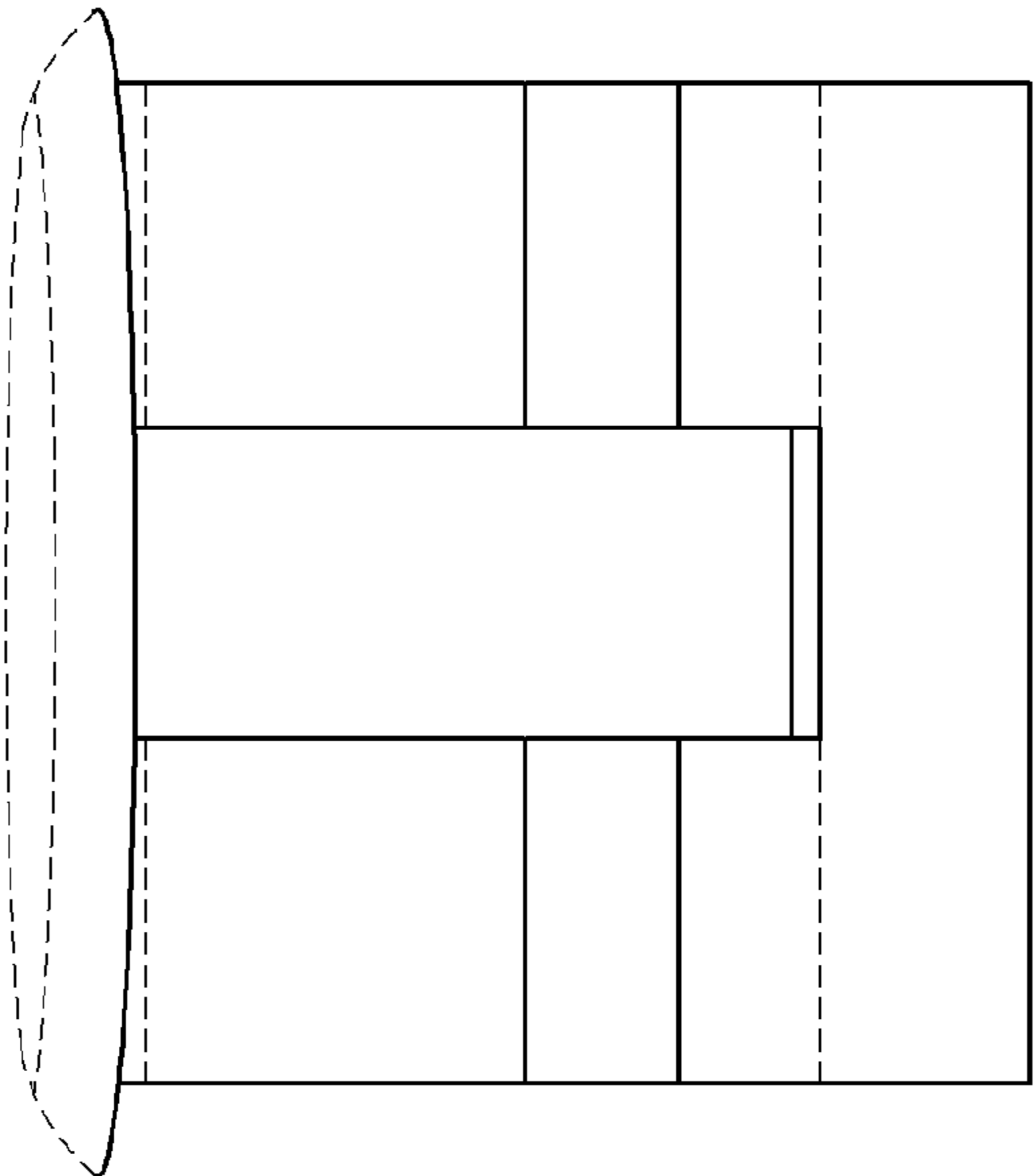


FIG. 41

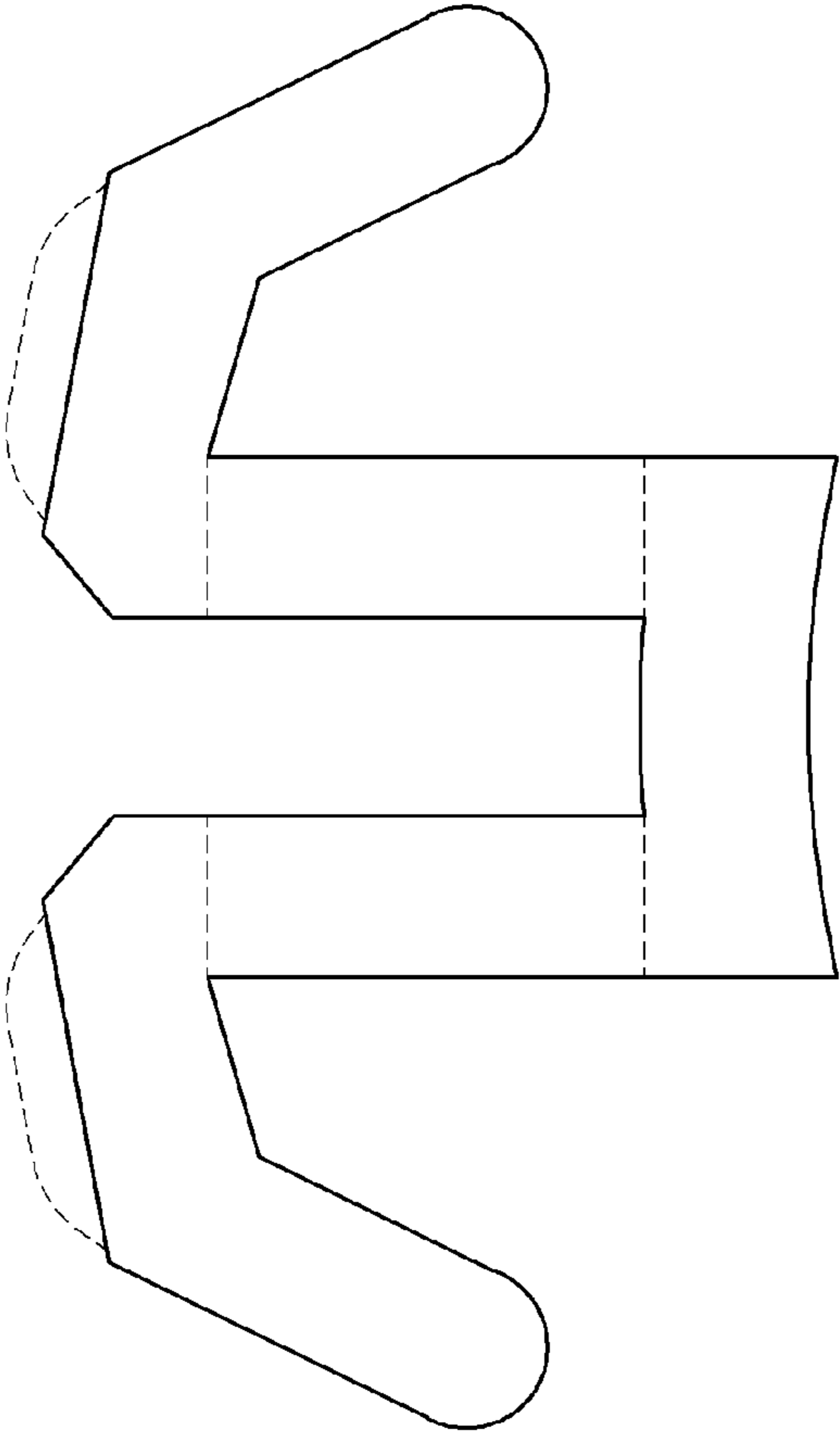


FIG. 42

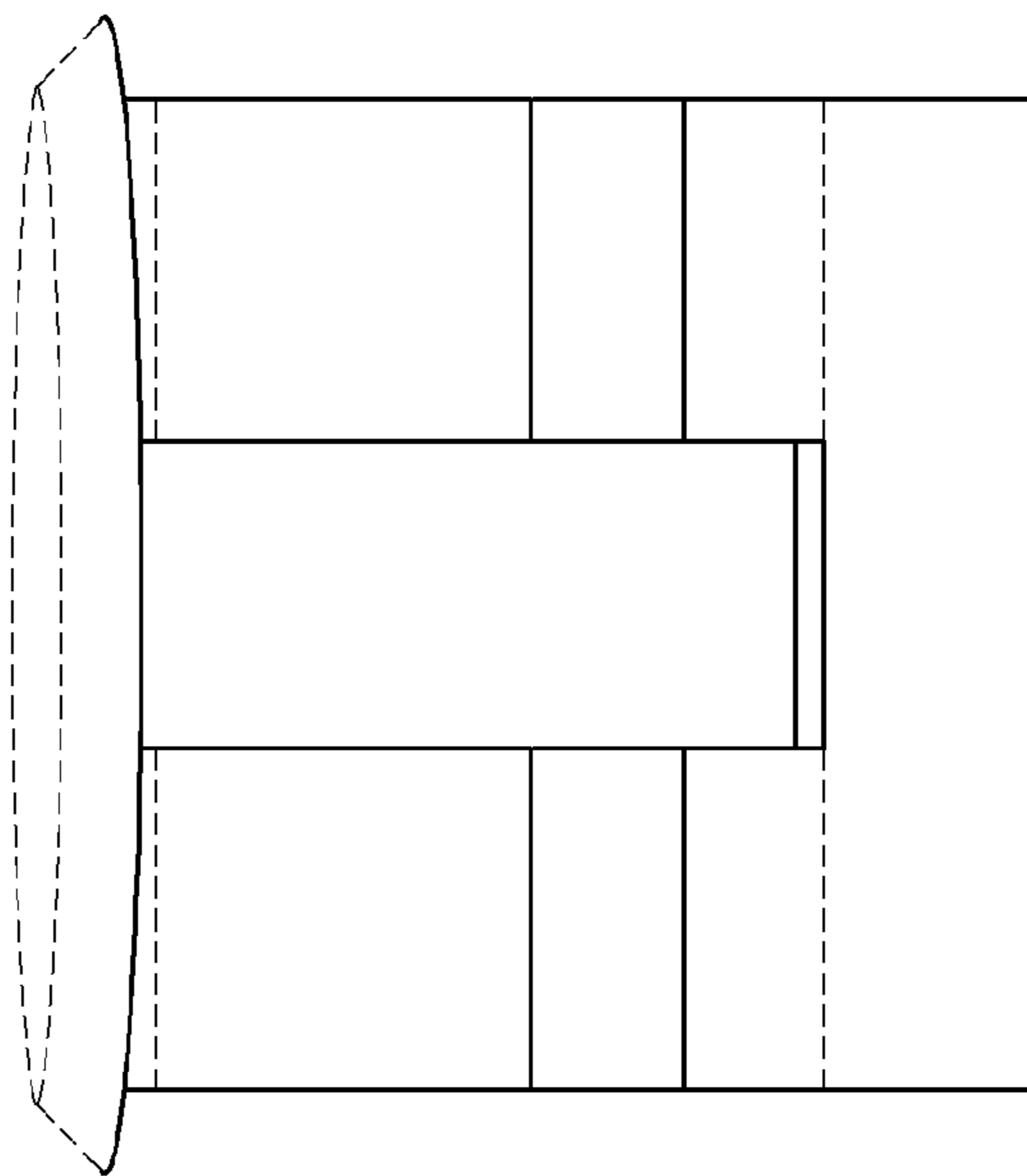


FIG. 44

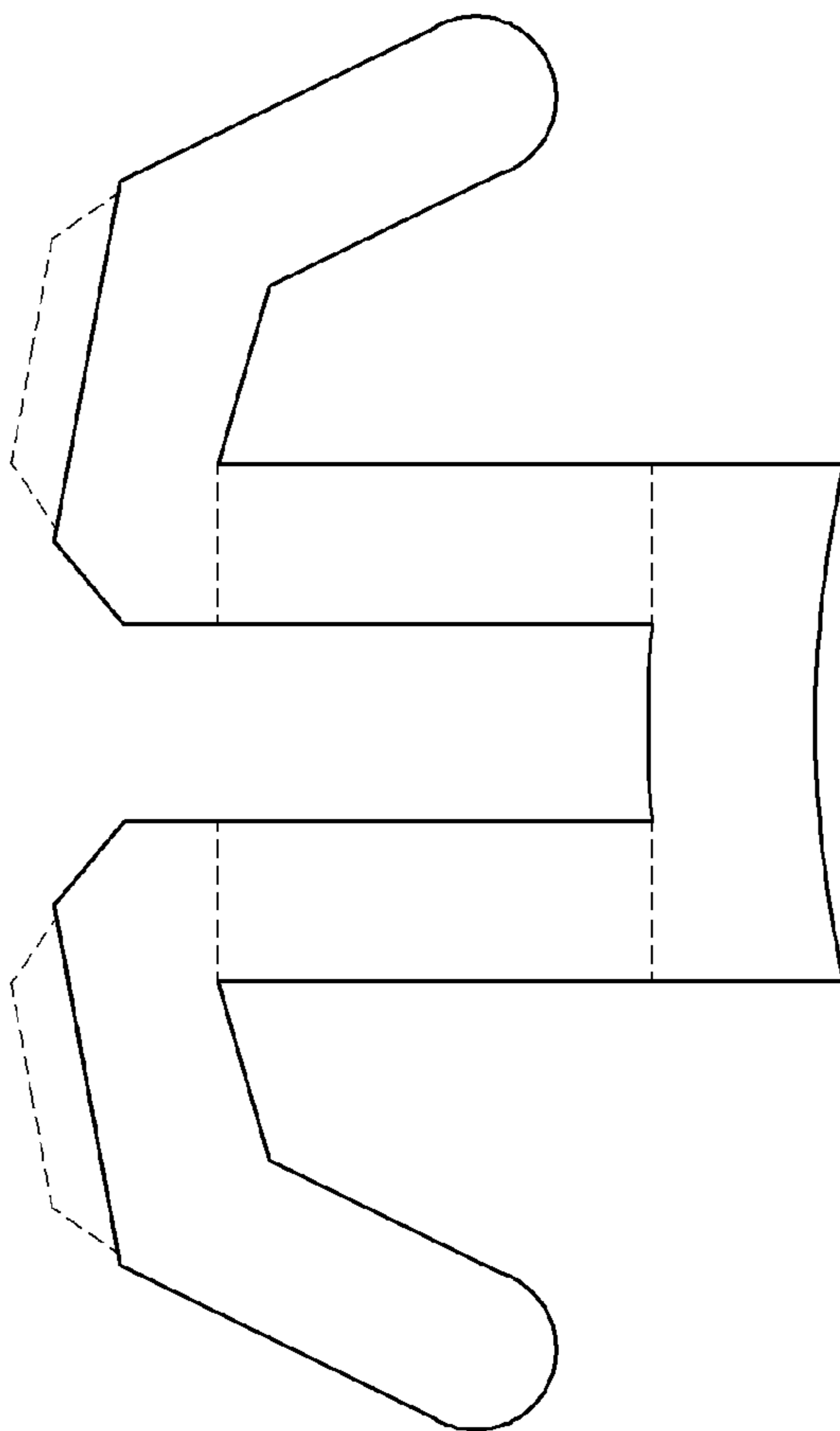


FIG. 43

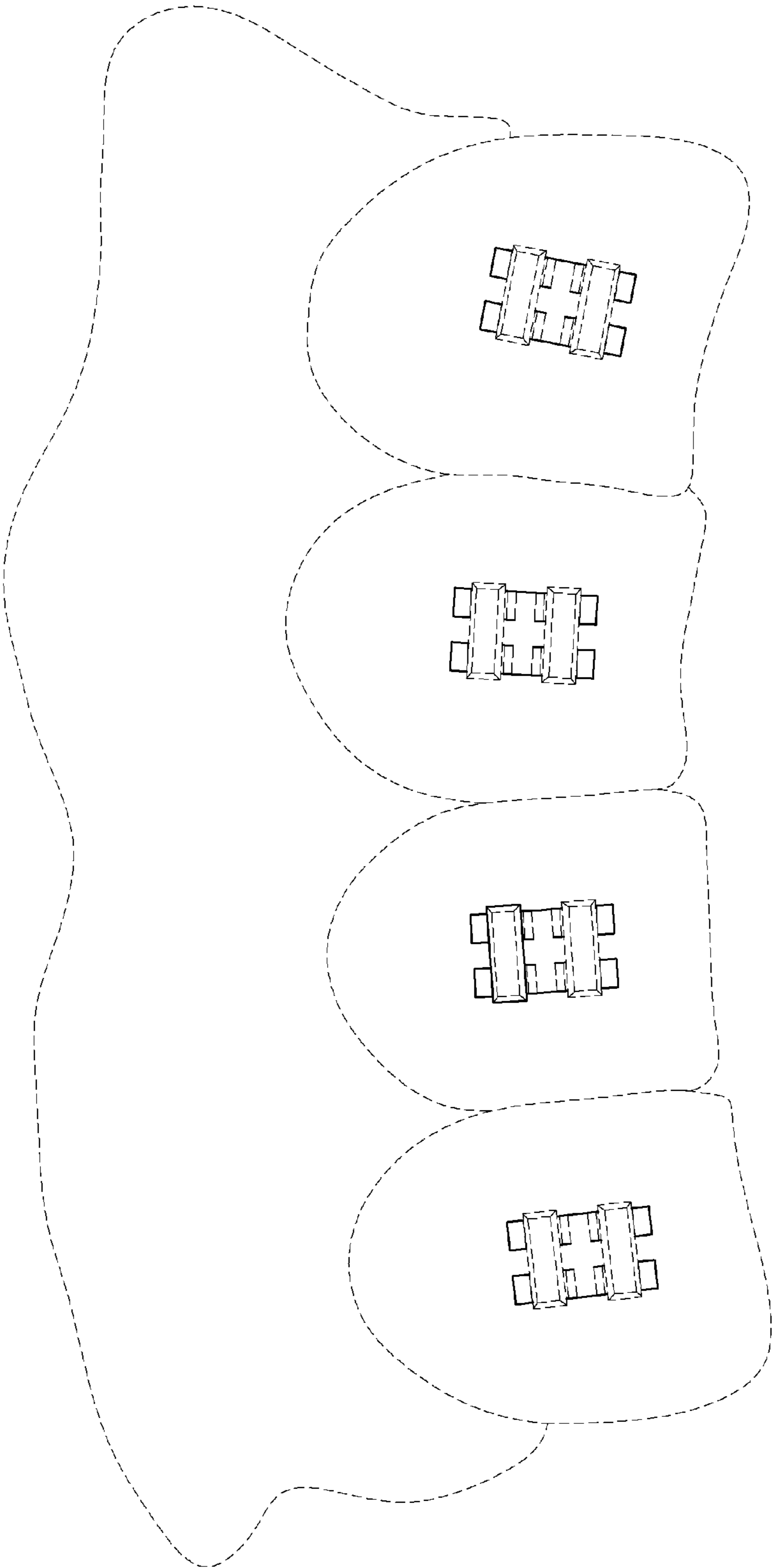


FIG. 45