



US00D725277S

(12) **United States Design Patent**  
**Gill**

(10) **Patent No.:** **US D725,277 S**

(45) **Date of Patent:** **\*\* Mar. 24, 2015**

(54) **DOOR FOR A PERITONEAL DIALYSIS DEVICE**

*Primary Examiner* — Anhdao Doan

(74) *Attorney, Agent, or Firm* — Marc J. Gorayeb

(71) Applicant: **DEKA Products Limited Partnership**,  
Manchester, NH (US)

(57) **CLAIM**

The ornamental design for an door for a peritoneal dialysis device, as shown and described.

(72) Inventor: **Matthew R. Gill**, Cambridge, MA (US)

(73) Assignee: **DEKA Products Limited Partnership**,  
Manchester, NH (US)

**DESCRIPTION**

(\*\*) Term: **14 Years**

FIG. 1 is a front, top, and right side perspective view of the door for a peritoneal dialysis device, showing the new design; FIG. 2 is a front side elevational view thereof; FIG. 3 is a rear side elevational view thereof; FIG. 4 is a right side elevational view thereof; FIG. 5 is a left side elevational view thereof; FIG. 6 is a top plan view thereof; FIG. 7 is a bottom plan view thereof; FIG. 8 is another front, top, and right side perspective view thereof, showing the door in an open position; FIG. 9 is another front side elevational view thereof, showing the door in an open position; FIG. 10 is another back side elevational view thereof, showing the door in an open position; FIG. 11 is another left side elevational view thereof, showing the door in an open position; FIG. 12 is another right side elevational view thereof, showing the door in an open position; FIG. 13 is another top plan view thereof, showing the door in an open position; and, FIG. 14 is another bottom plan view thereof, showing the door in an open position. The broken lines represent unclaimed portions of the door for a peritoneal dialysis device and form no part of the claimed design.

(21) Appl. No.: **29/493,120**

(22) Filed: **Jun. 5, 2014**

(51) **LOC (10) Cl.** ..... **24-01**

(52) **U.S. Cl.**  
USPC ..... **D24/169**

(58) **Field of Classification Search**  
USPC ..... D24/169, 186, 107, 108, 111, 216, 219,  
D24/232; 604/27, 29, 131, 132, 140, 141,  
604/146

See application file for complete search history.

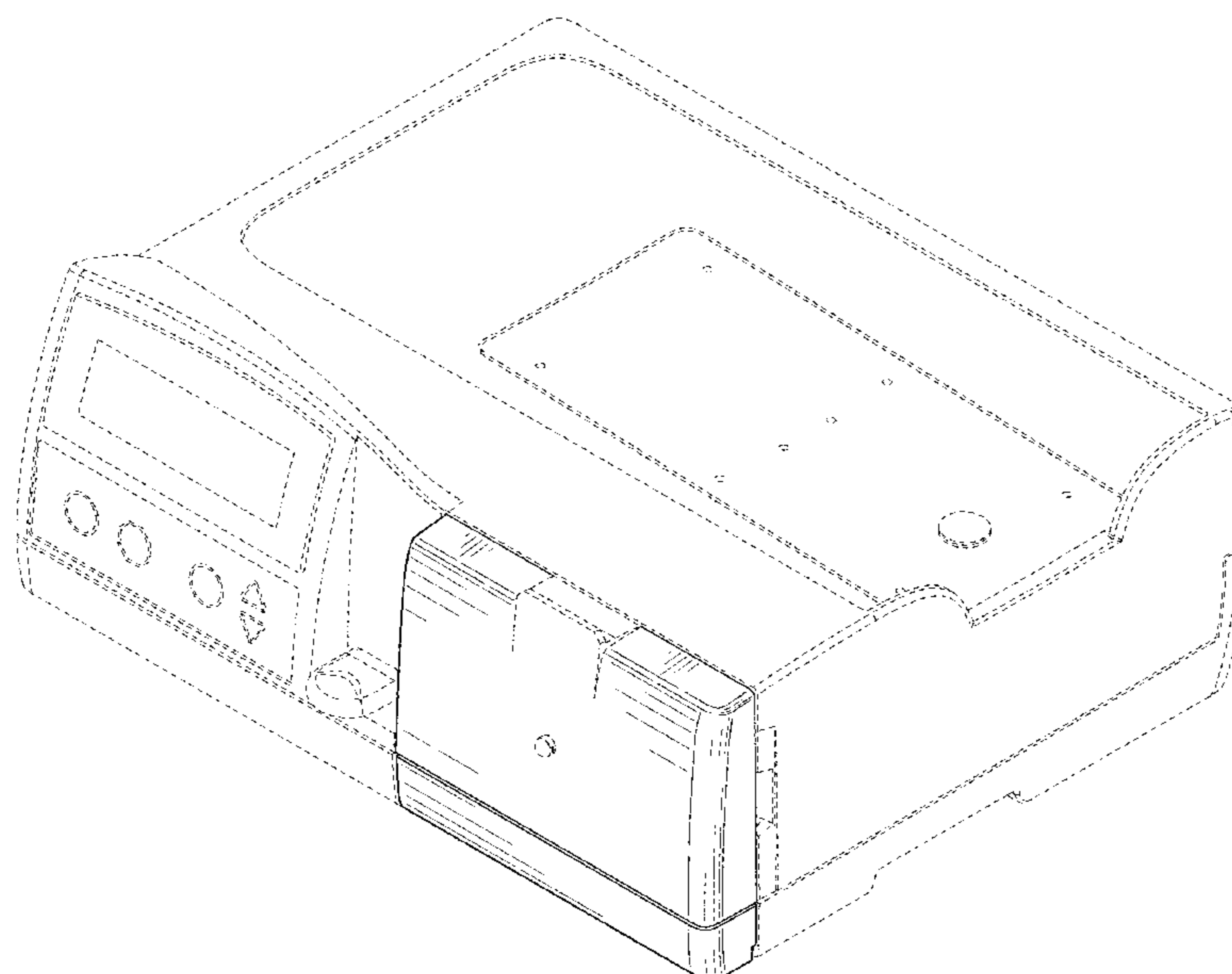
(56) **References Cited**

**U.S. PATENT DOCUMENTS**

D351,470	S	*	10/1994	Scherer et al.	.....	D24/169
5,431,626	A	*	7/1995	Bryant et al.	.....	604/141
5,938,634	A	*	8/1999	Packard	.....	604/29
D556,910	S	*	12/2007	Reihanifam et al.	.....	D24/169
D641,882	S	*	7/2011	Hickey et al.	.....	D24/169
D663,844	S	*	7/2012	McGill et al.	.....	D24/169
2013/0037142	A1	*	2/2013	Farrell	.....	137/565.01
2014/0018728	A1	*	1/2014	Plahey et al.	.....	604/29

\* cited by examiner

**1 Claim, 11 Drawing Sheets**



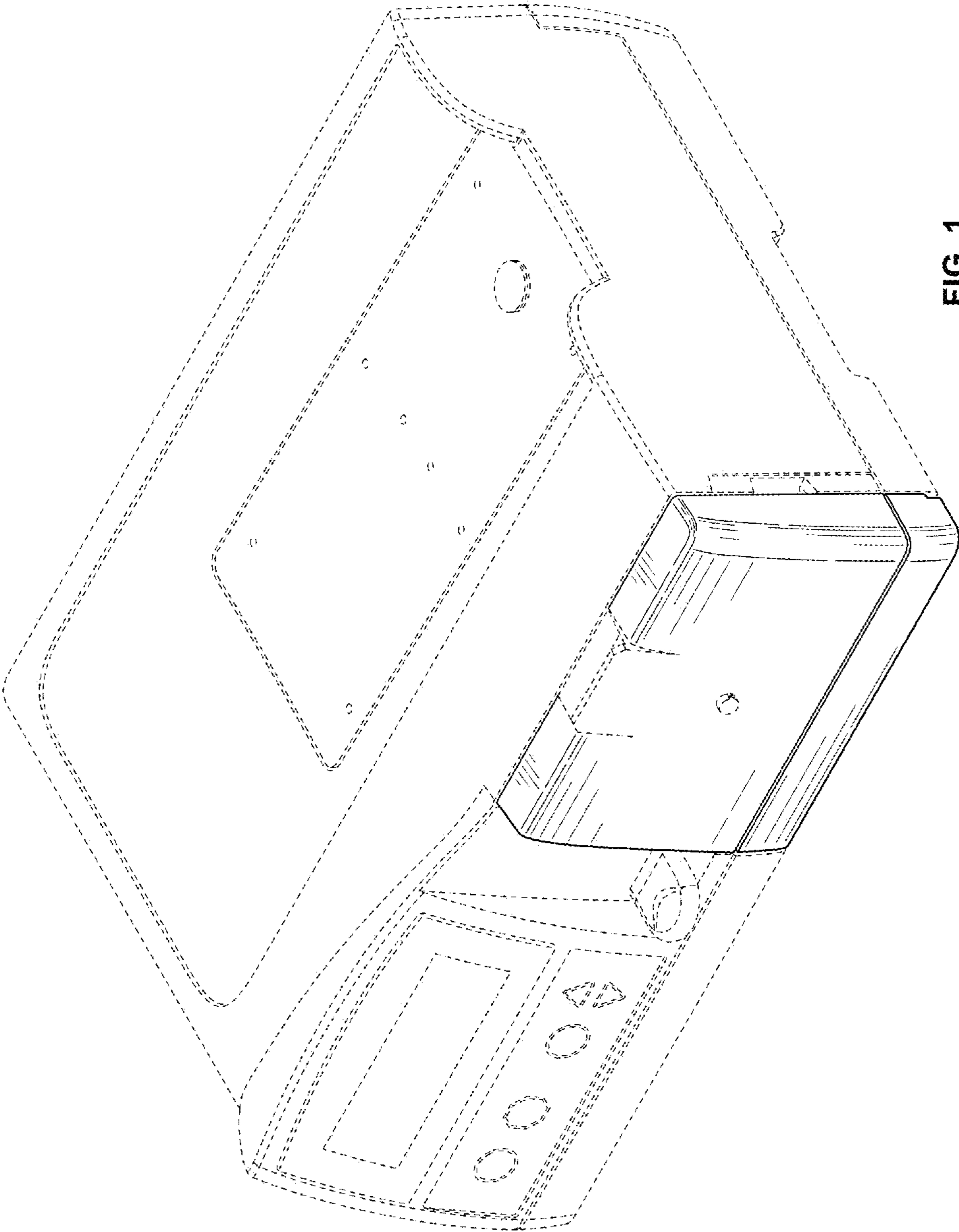


FIG. 1

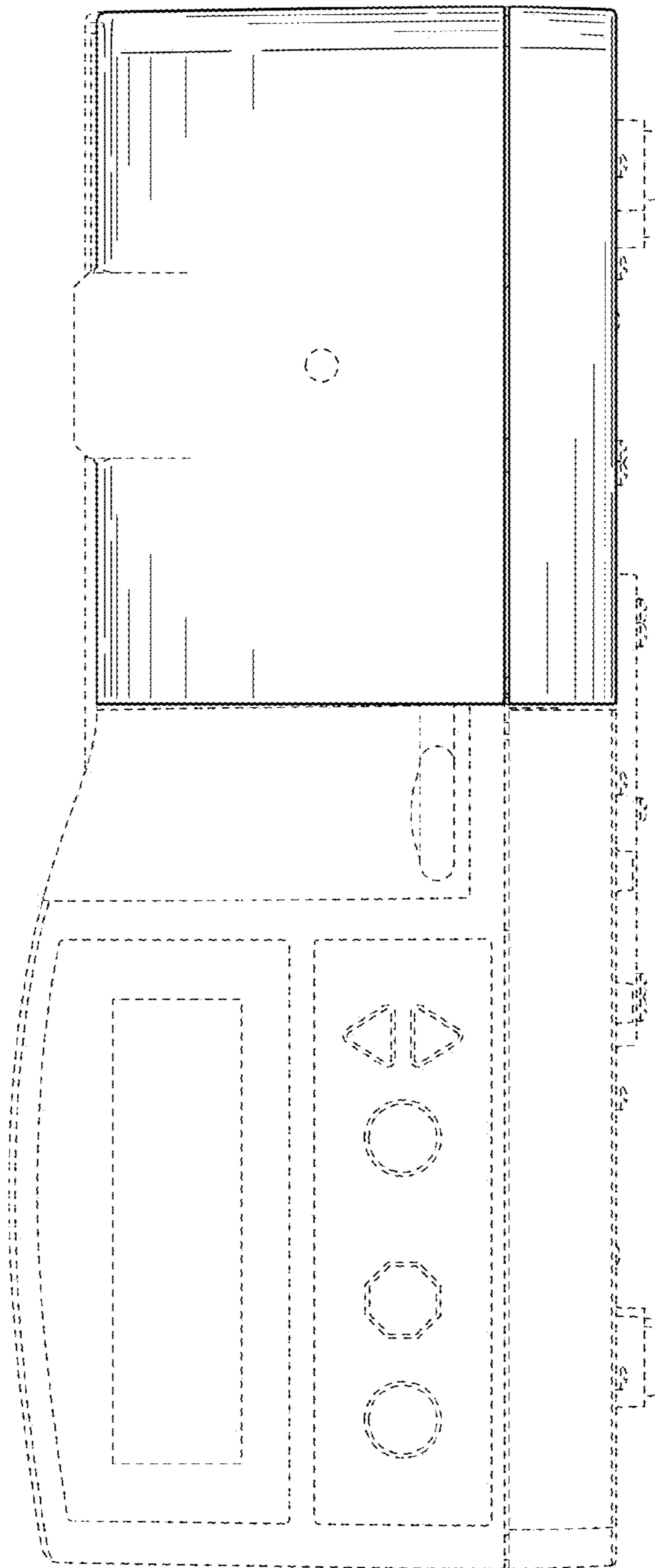


FIG. 2

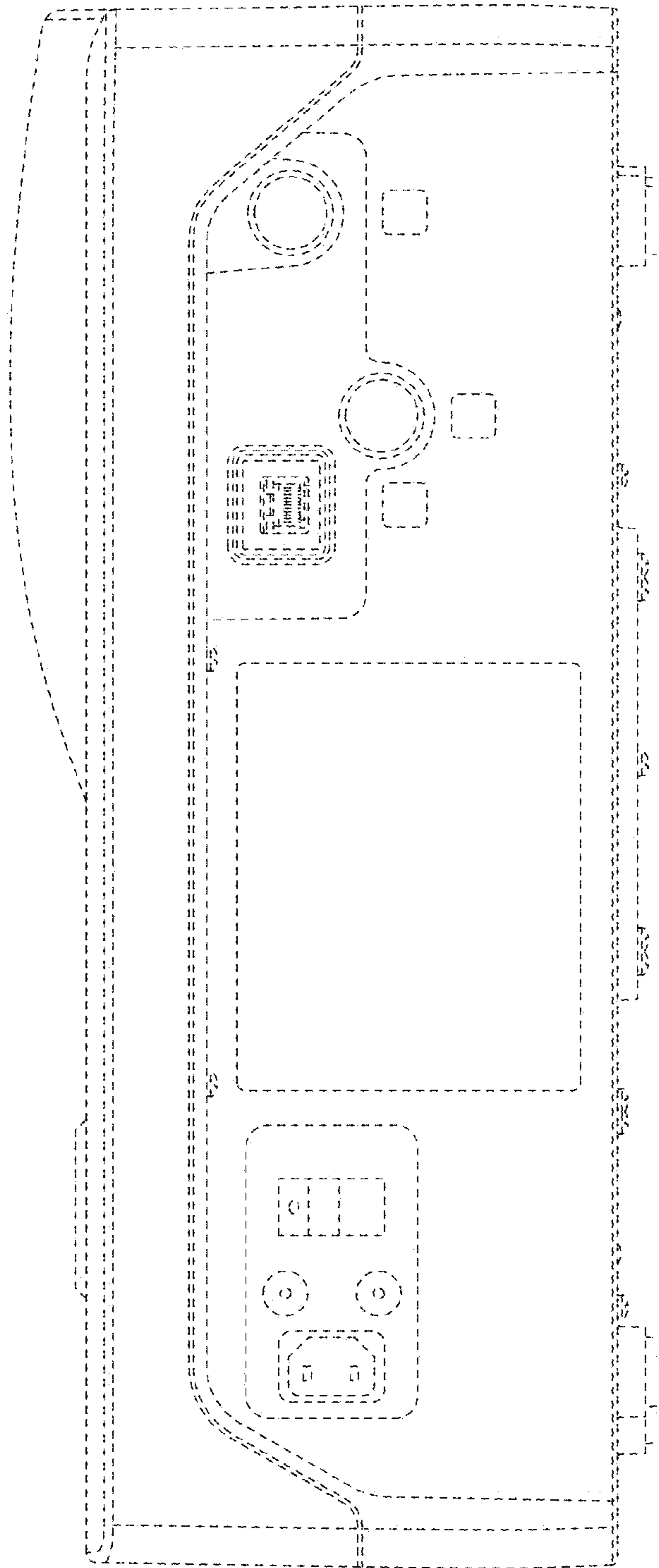


FIG. 3

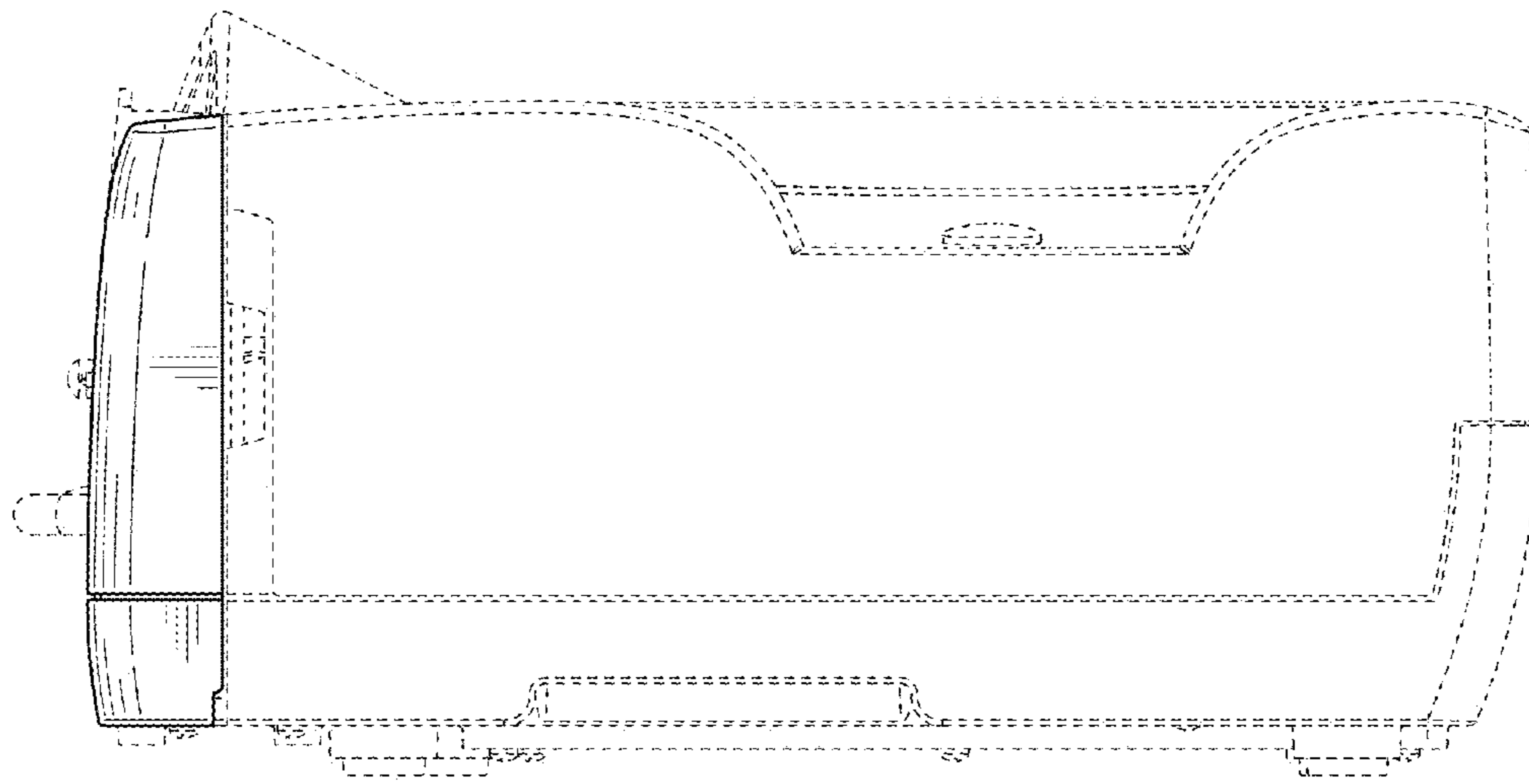


FIG. 4

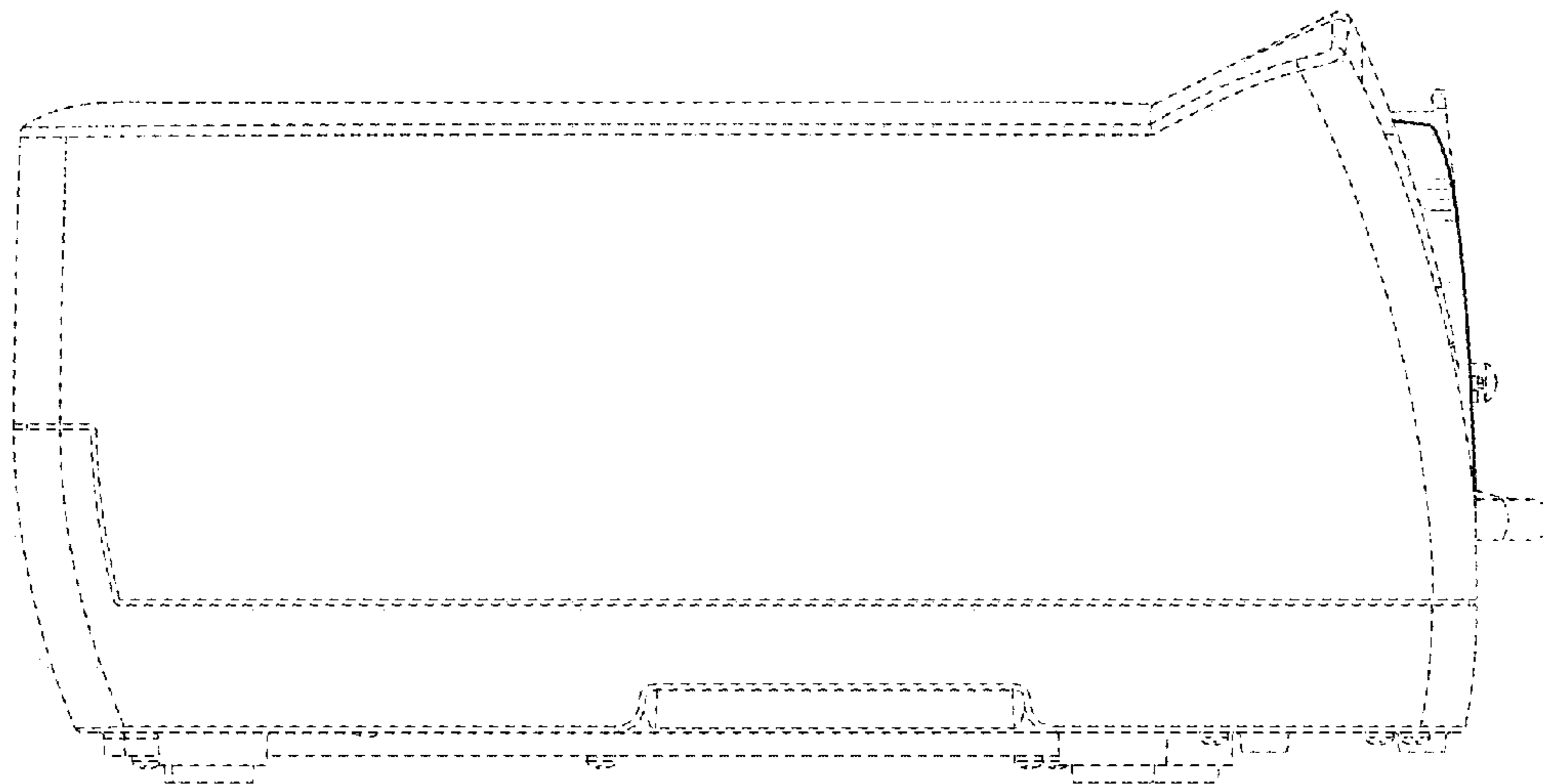


FIG. 5

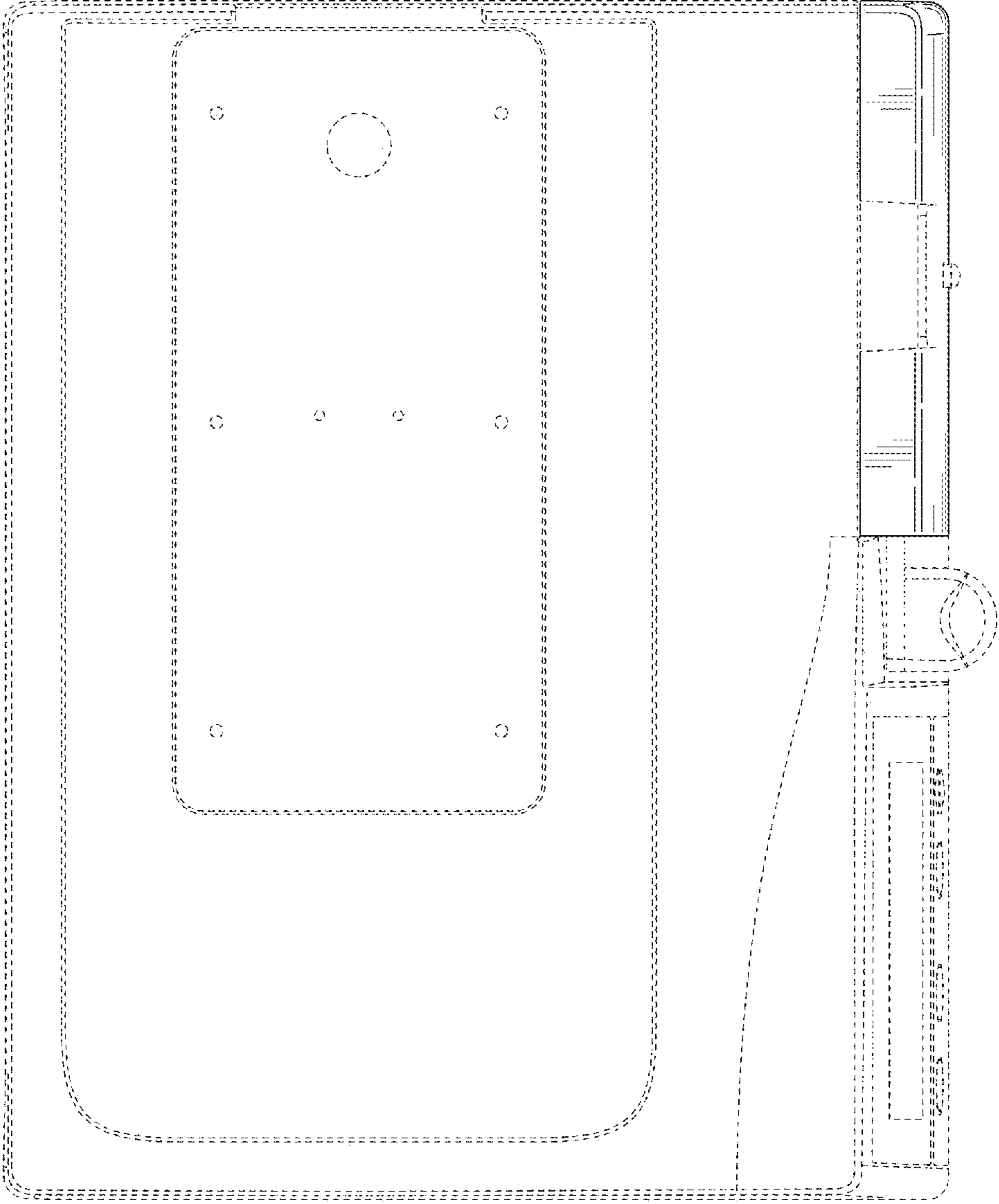


FIG. 6

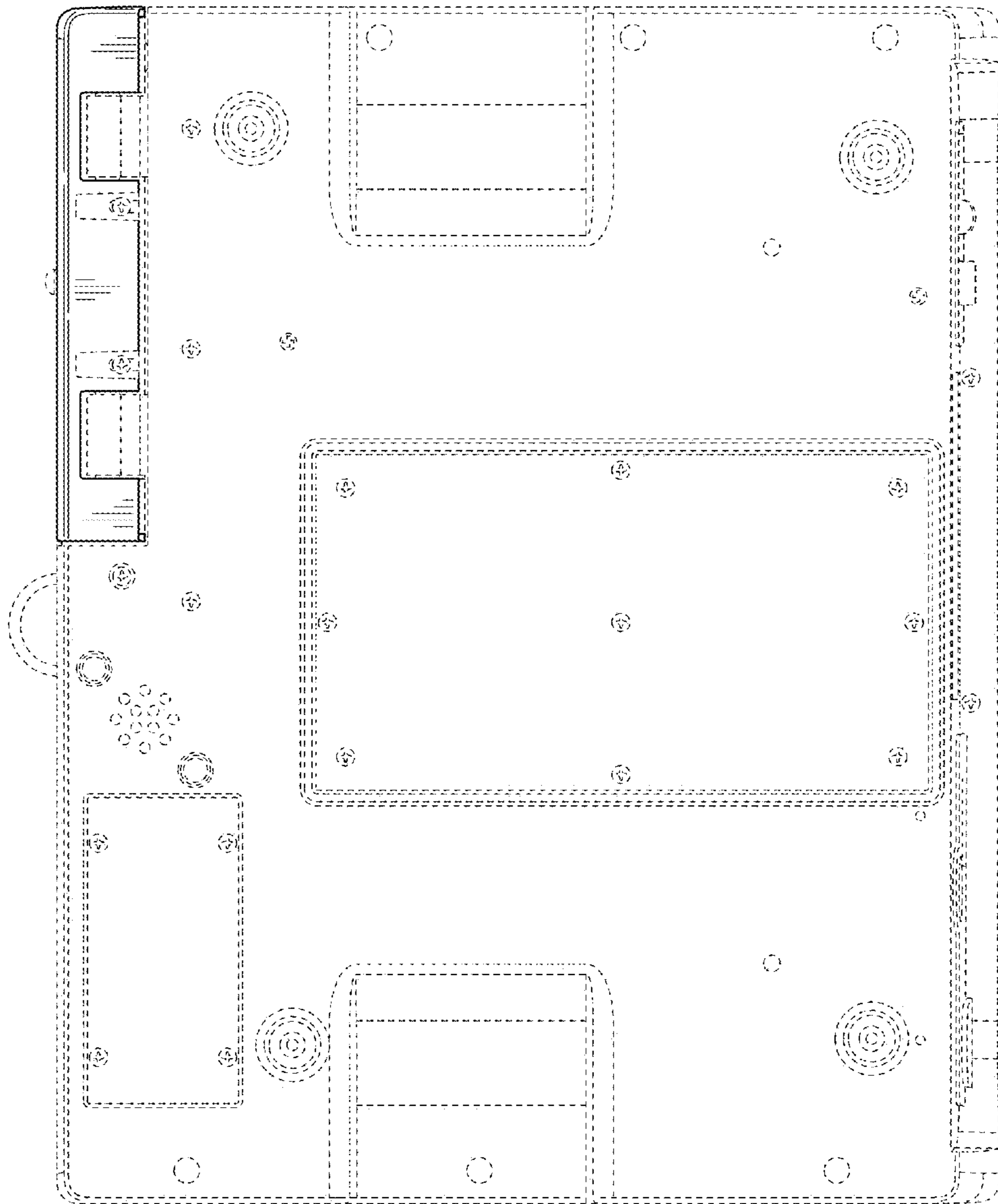


FIG. 7

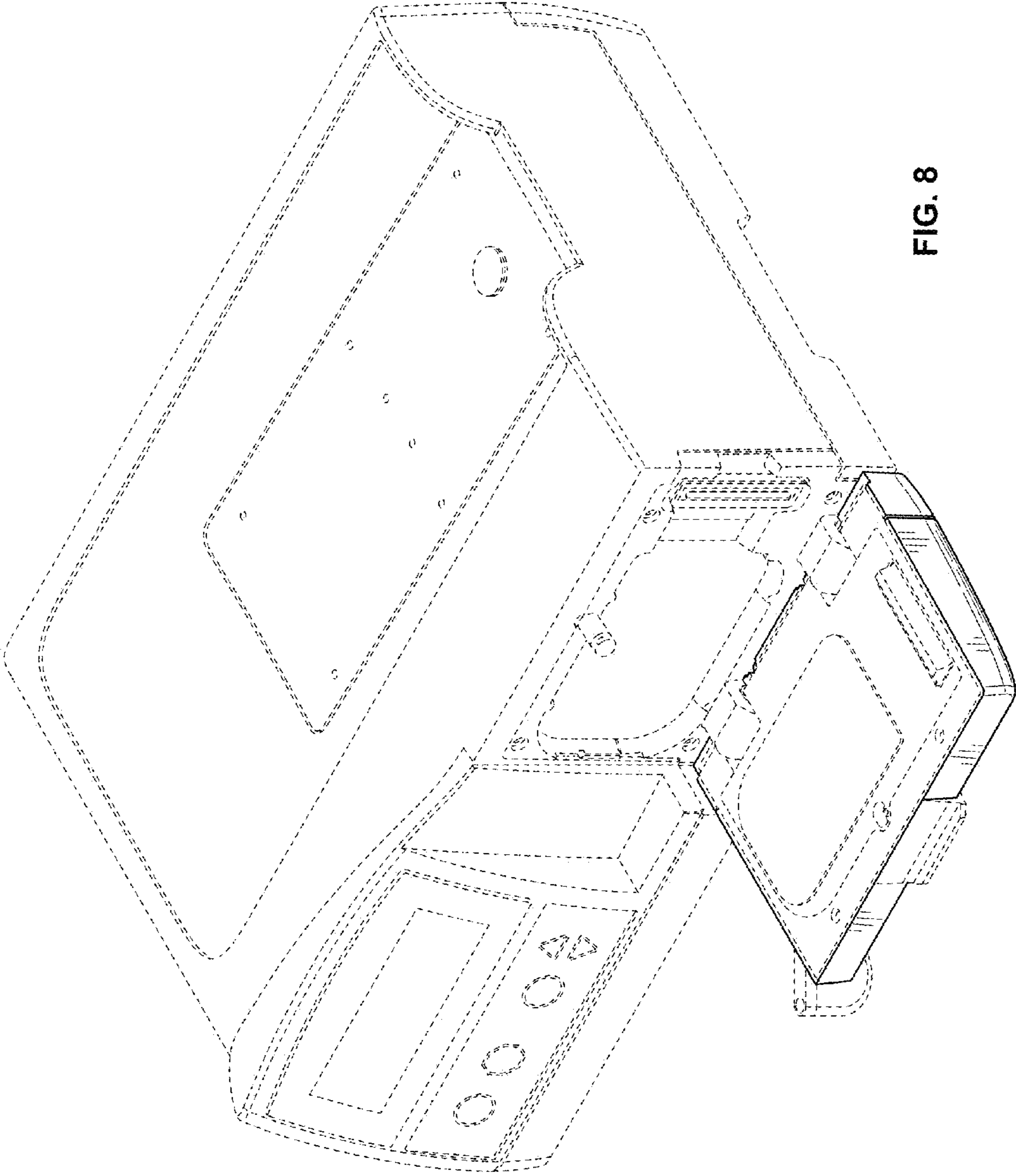


FIG. 8



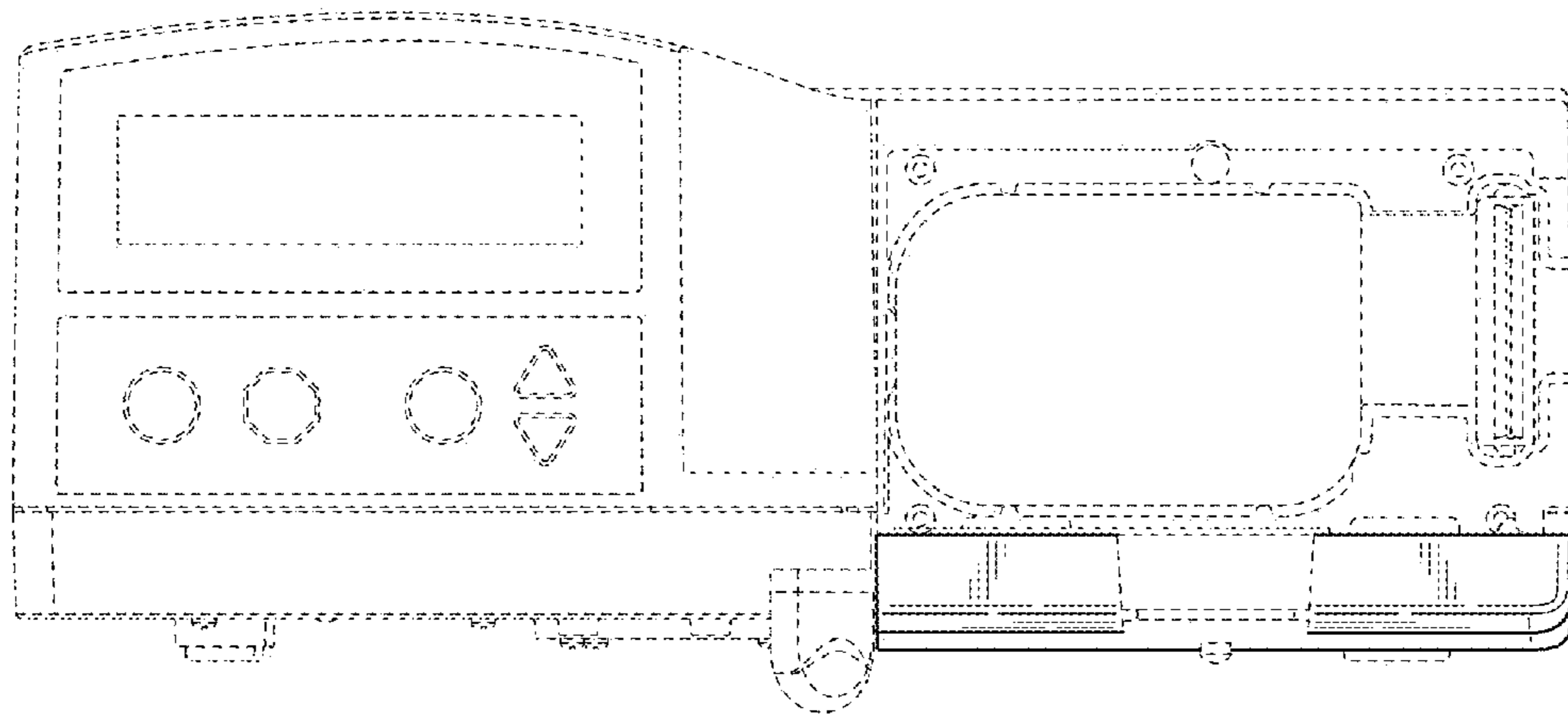


FIG. 9

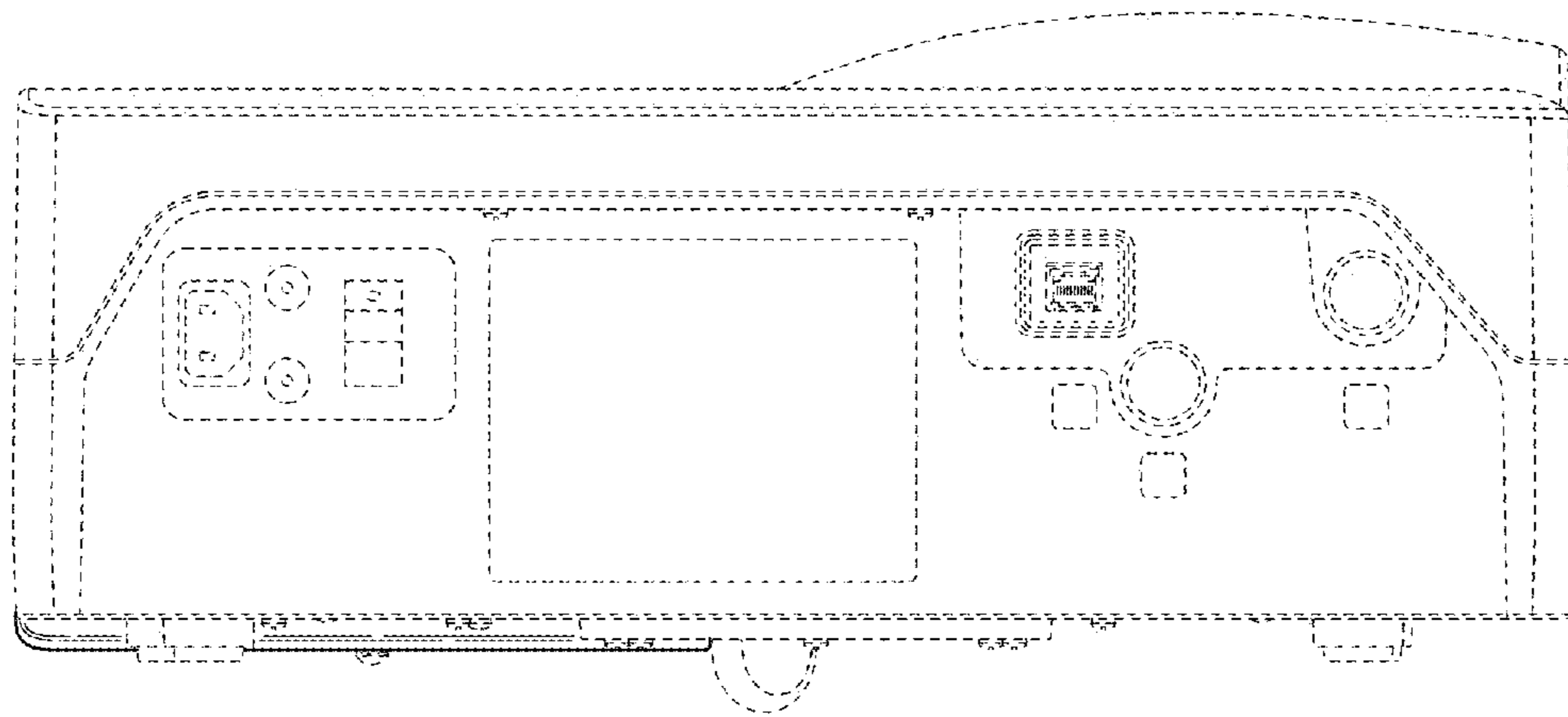


FIG. 10

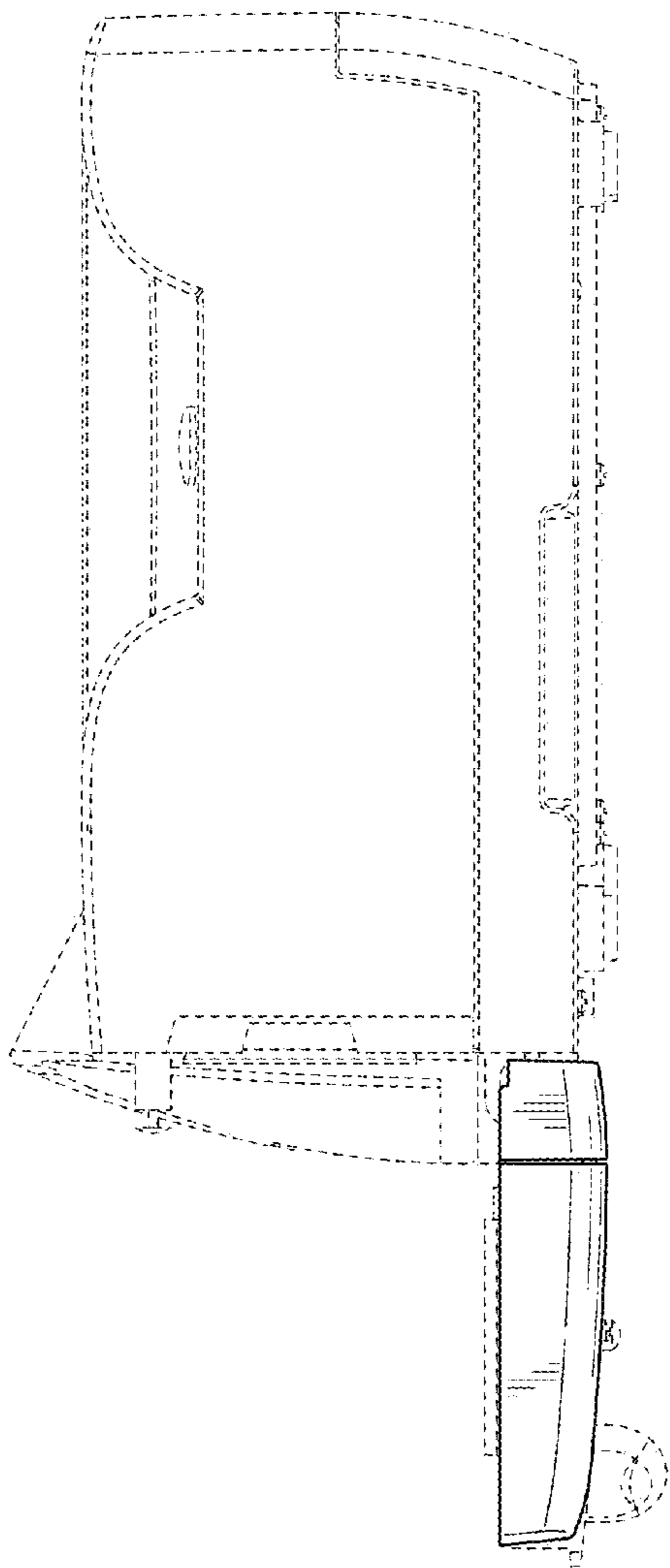


FIG. 11

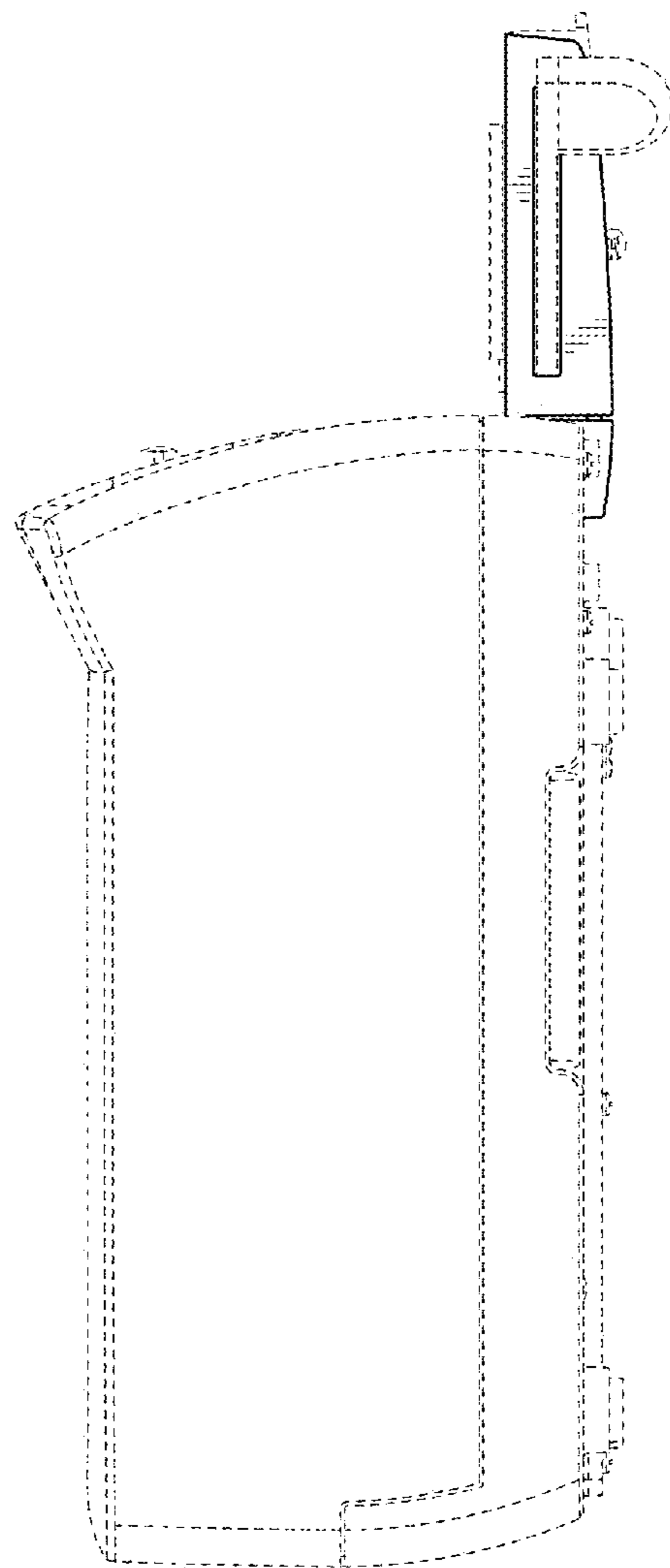


FIG. 12

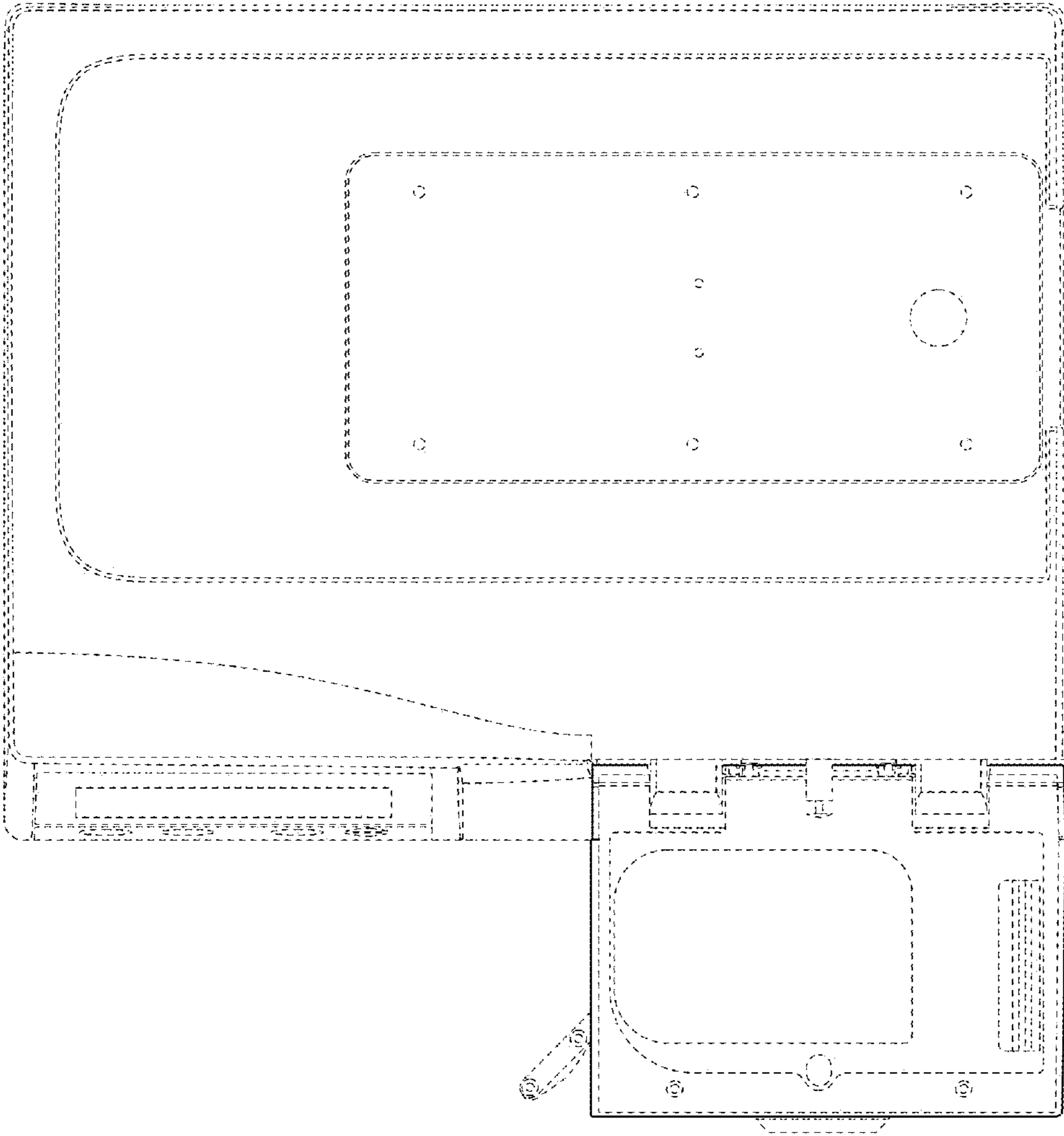


FIG. 13

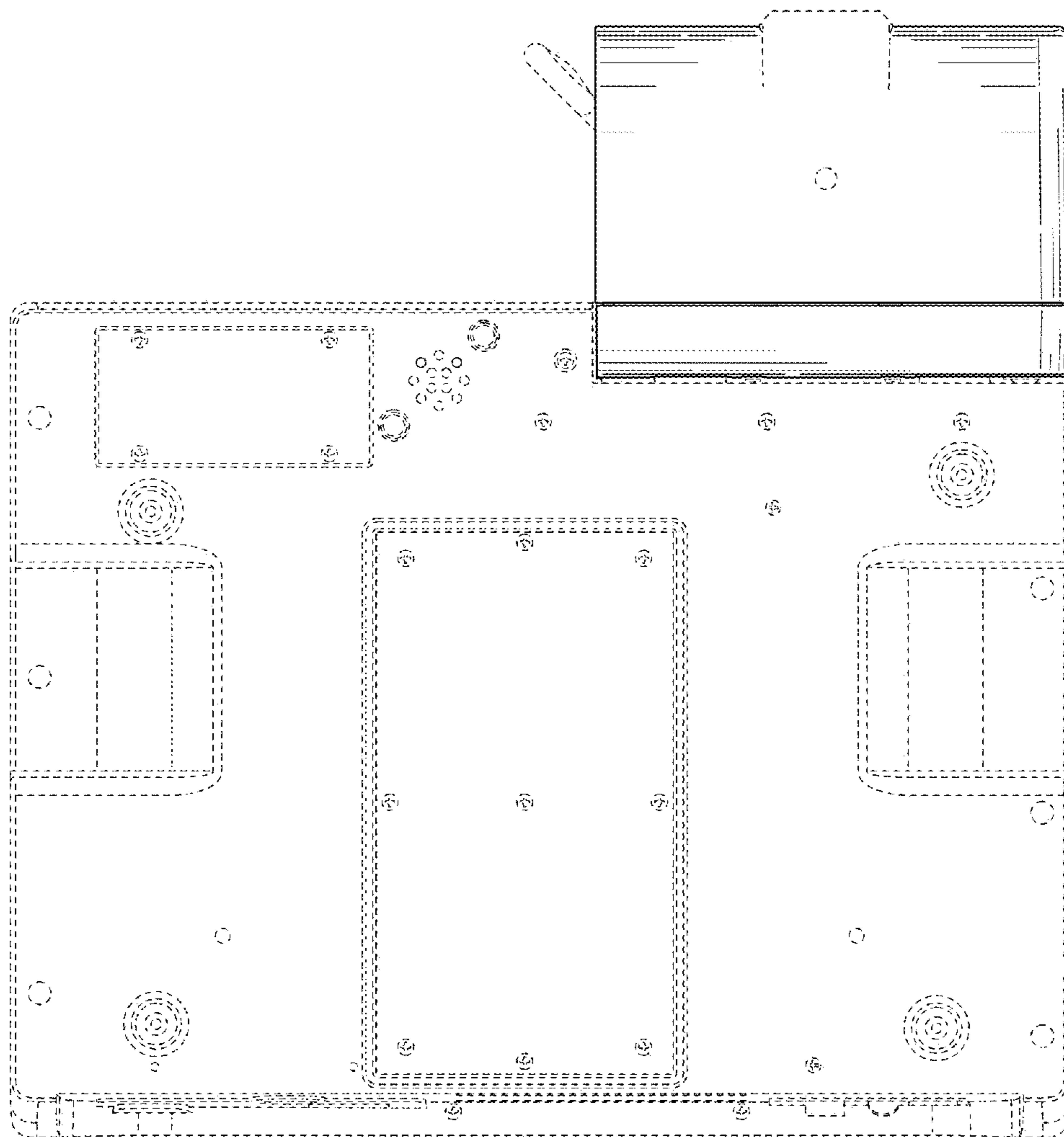


FIG. 14