



US00D725274S

(12) **United States Design Patent**
Kawamura et al.

(10) **Patent No.:** **US D725,274 S**
(45) **Date of Patent:** **** Mar. 24, 2015**

(54) **MEDICAL ULTRASOUND EQUIPMENT**

(71) Applicant: **Konica Minolta, Inc.**, Chiyoda-ku (JP)

(72) Inventors: **Tooru Kawamura**, Kishiwada (JP);
Tomohiko Hirata, Chuo-ku (JP); **Yu Kawashima**, Minato-ku (JP)

(73) Assignee: **Konica Minolta, Inc.**, Tokyo (JP)

(**) Term: **14 Years**

(21) Appl. No.: **29/484,665**

(22) Filed: **Mar. 12, 2014**

(30) **Foreign Application Priority Data**

Sep. 13, 2013 (JP) D2013-021271

(51) **LOC (10) Cl.** **24-01**

(52) **U.S. Cl.**
USPC **D24/158; D24/160**

(58) **Field of Classification Search**
USPC D24/158-161, 185, 186; 606/32-34;
600/437, 443; 248/282.1; D14/315,
D14/318, 328
See application file for complete search history.

(56) **References Cited**

U.S. PATENT DOCUMENTS

D509,900 S * 9/2005 Barnes et al. D24/160
D550,366 S * 9/2007 Zhou D24/186
D560,280 S * 1/2008 Skwarek et al. D24/186

D607,105 S * 12/2009 Otoha et al. D24/158
D637,291 S * 5/2011 Wu et al. D24/158
D683,033 S * 5/2013 Yoshida et al. D24/186
D697,211 S * 1/2014 Ninomiya et al. D24/158
2013/0261447 A1* 10/2013 Tashiro 600/437

FOREIGN PATENT DOCUMENTS

JP D1370350 S 10/2009
JP D1342572 S 10/2011

* cited by examiner

Primary Examiner — Anhdao Doan

(74) *Attorney, Agent, or Firm* — Buchanan Ingersoll & Rooney PC

(57) **CLAIM**

The ornamental design for a medical ultrasound equipment, as shown and described.

DESCRIPTION

FIG. 1 is a first perspective view of a medical ultrasound equipment;

FIG. 2 is a second perspective view thereof;

FIG. 3 is a front view thereof;

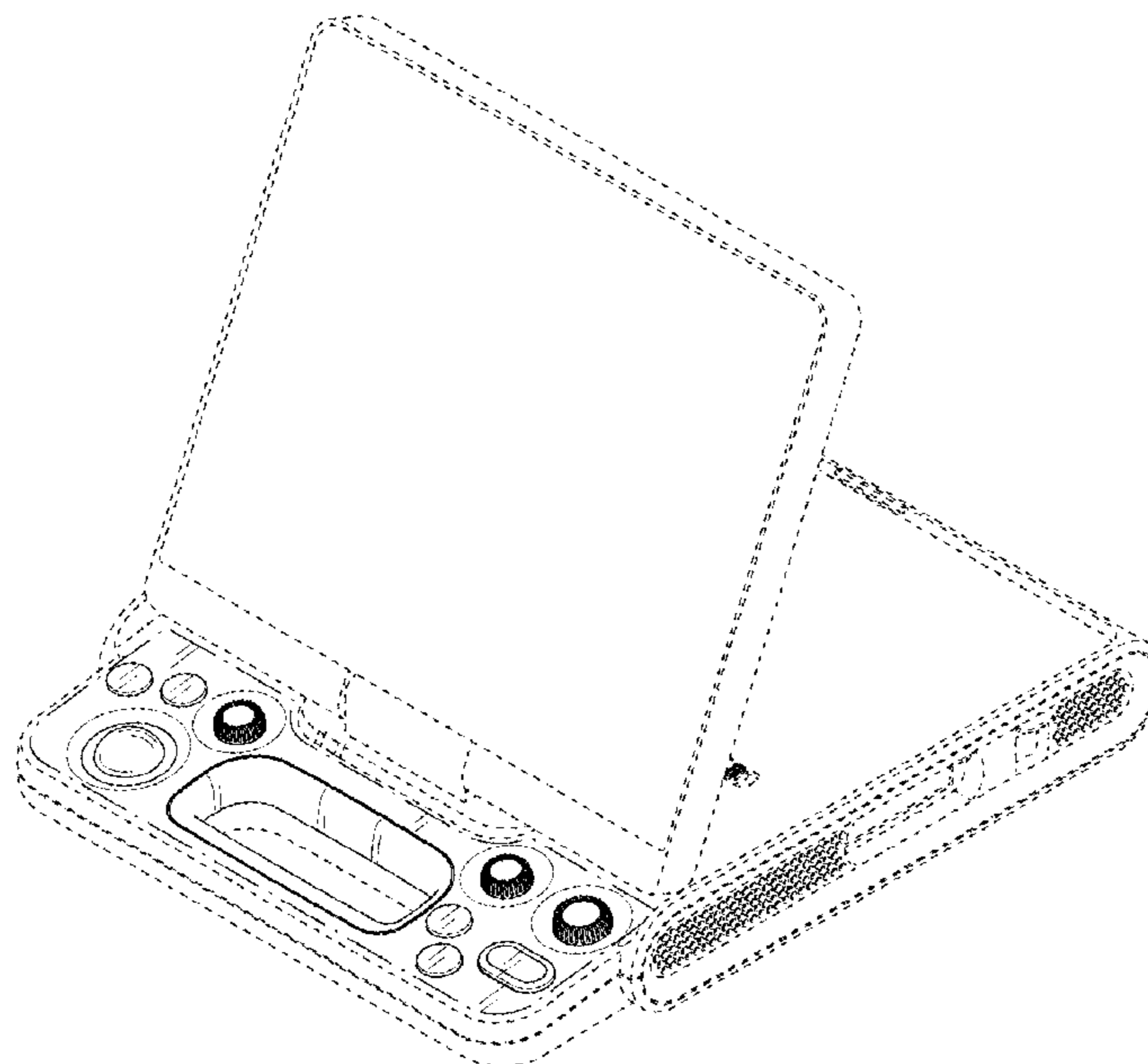
FIG. 4 is a left side view thereof;

FIG. 5 is a right side view thereof; and,

FIG. 6 is a top view thereof.

The alternating dot and dash lines represent the bounds of the claim, and all other broken lines are included for the purpose of illustrating unclaimed portions of the medical ultrasound equipment. None of the broken lines form a part of the claimed design.

1 Claim, 6 Drawing Sheets



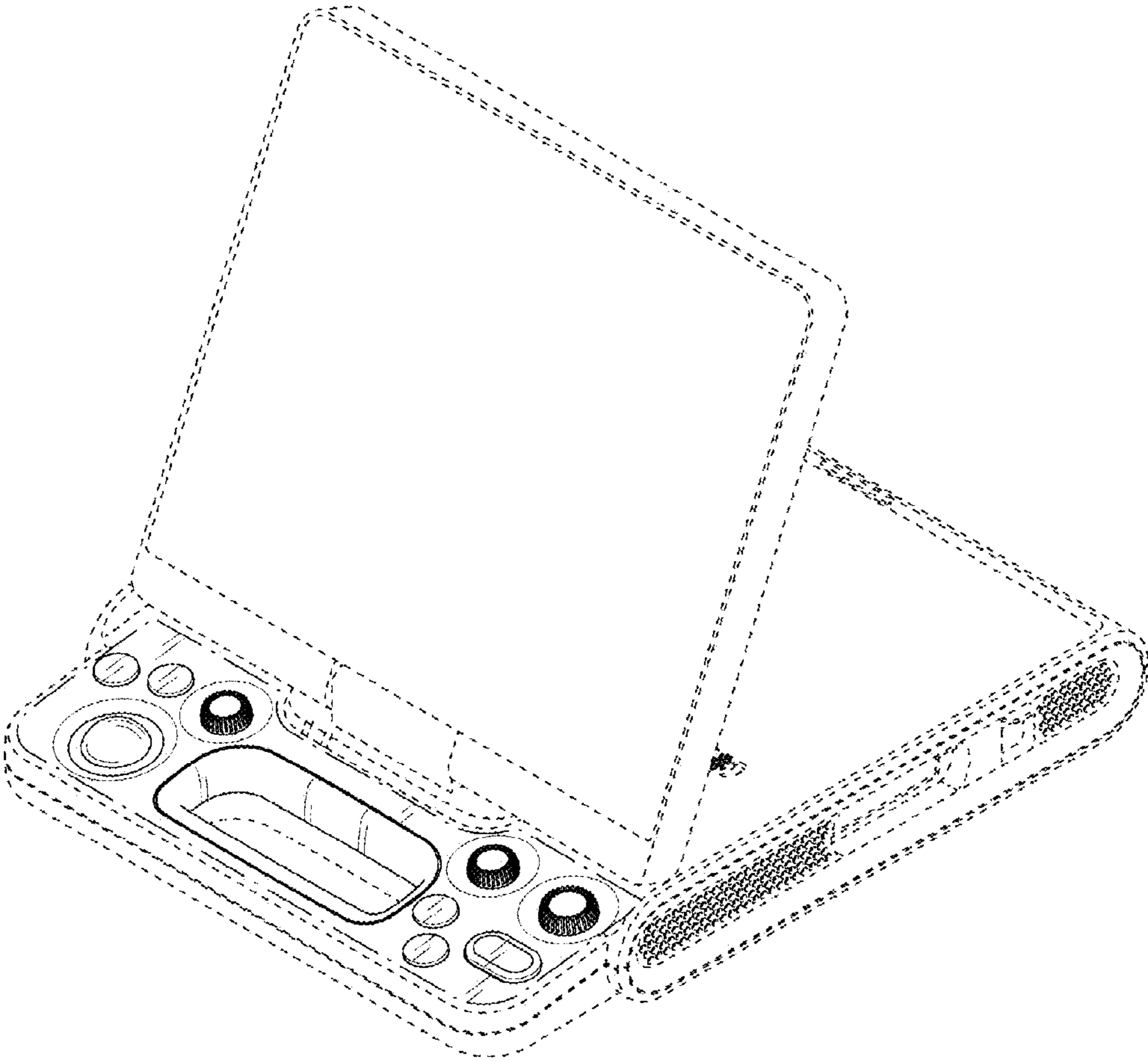


FIG.1

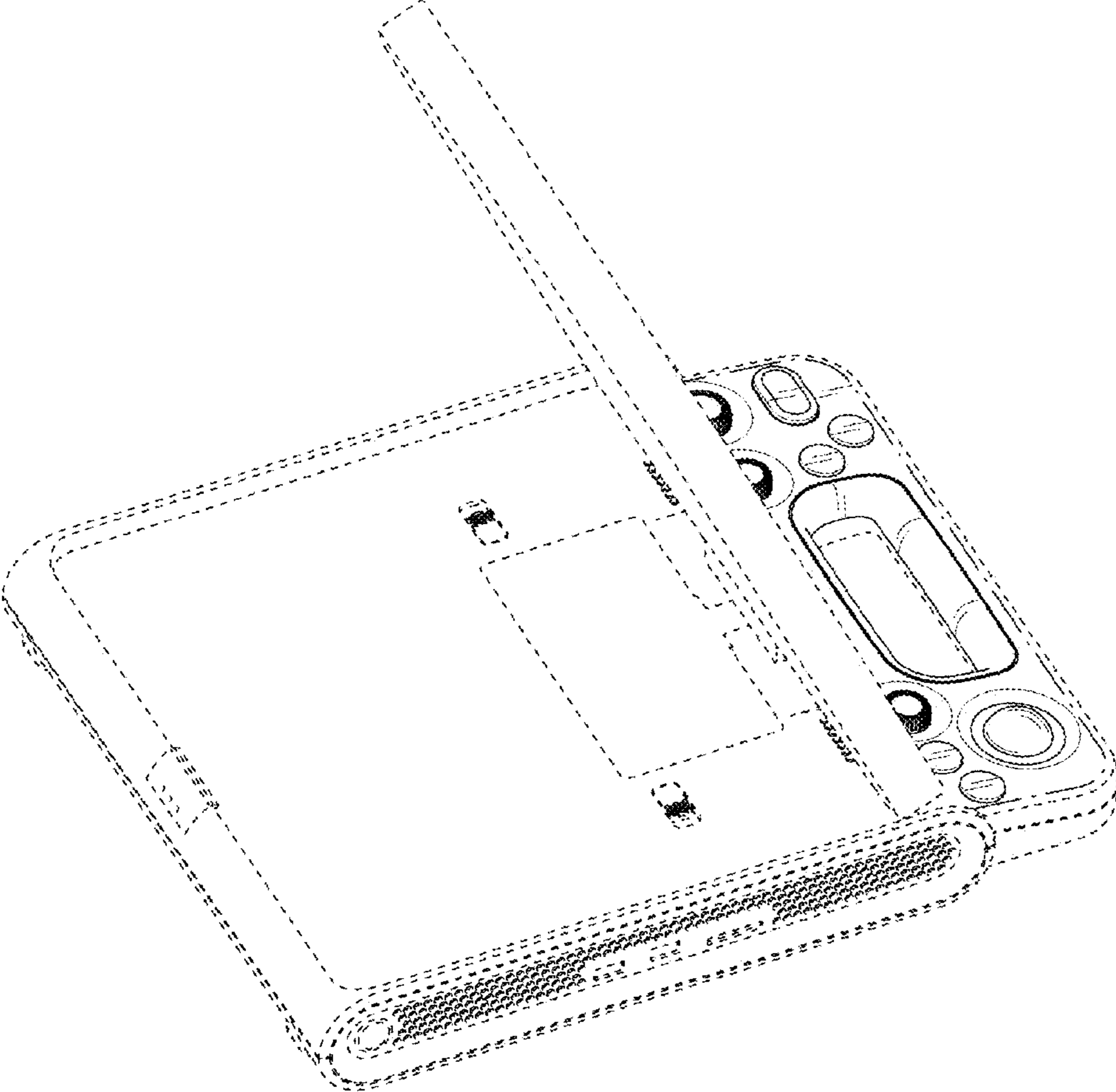


FIG.2

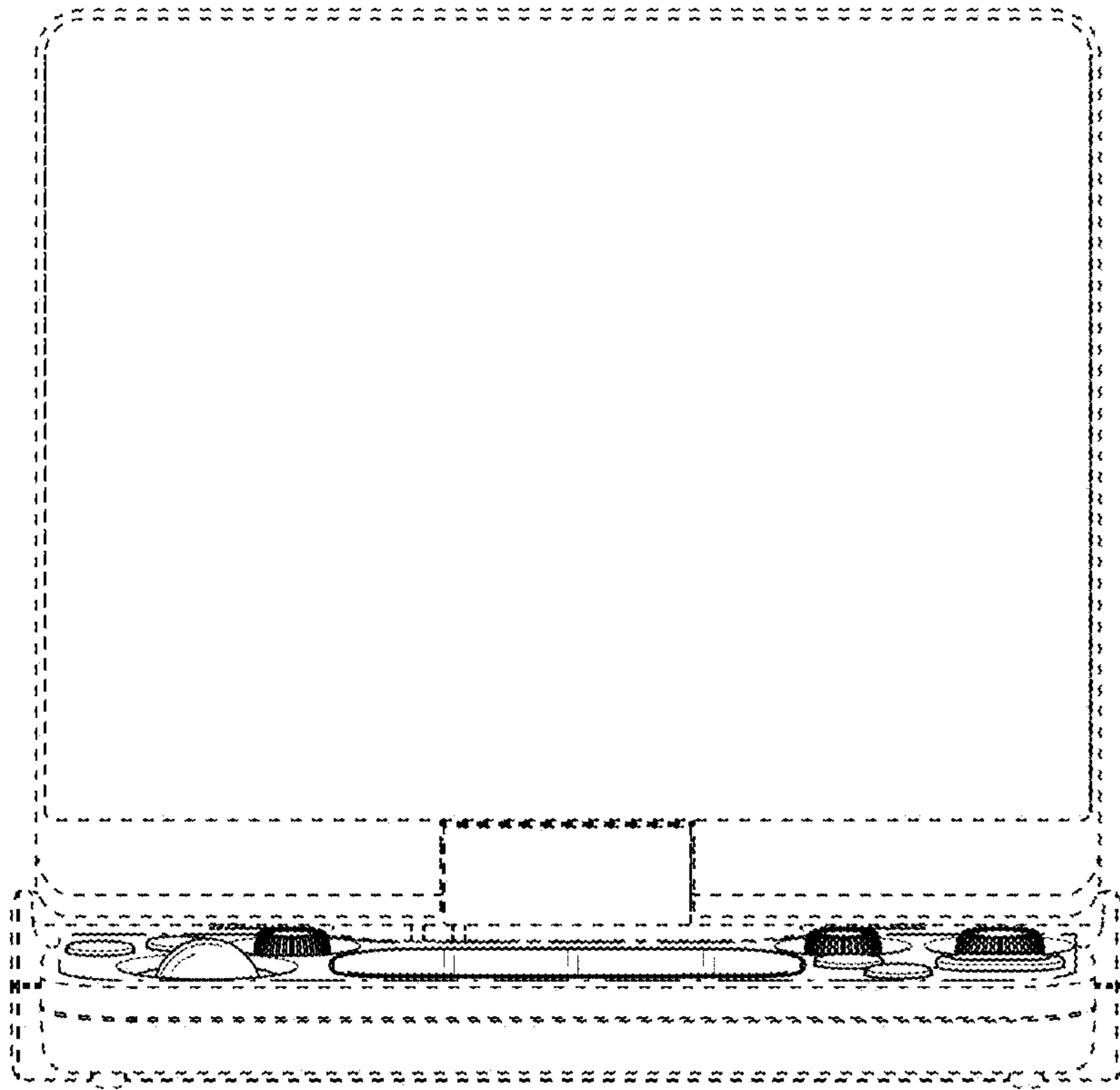


FIG. 3

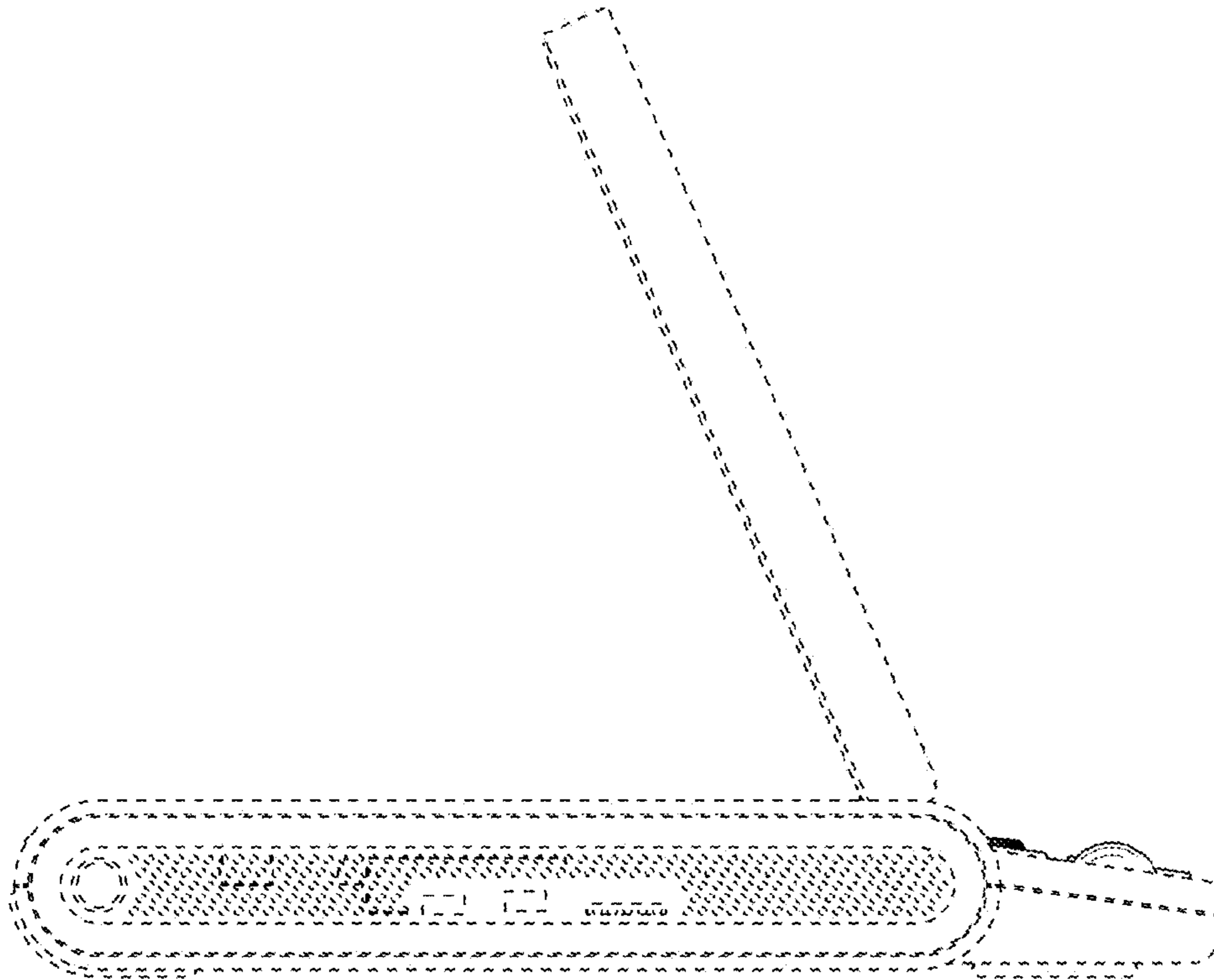


FIG. 4

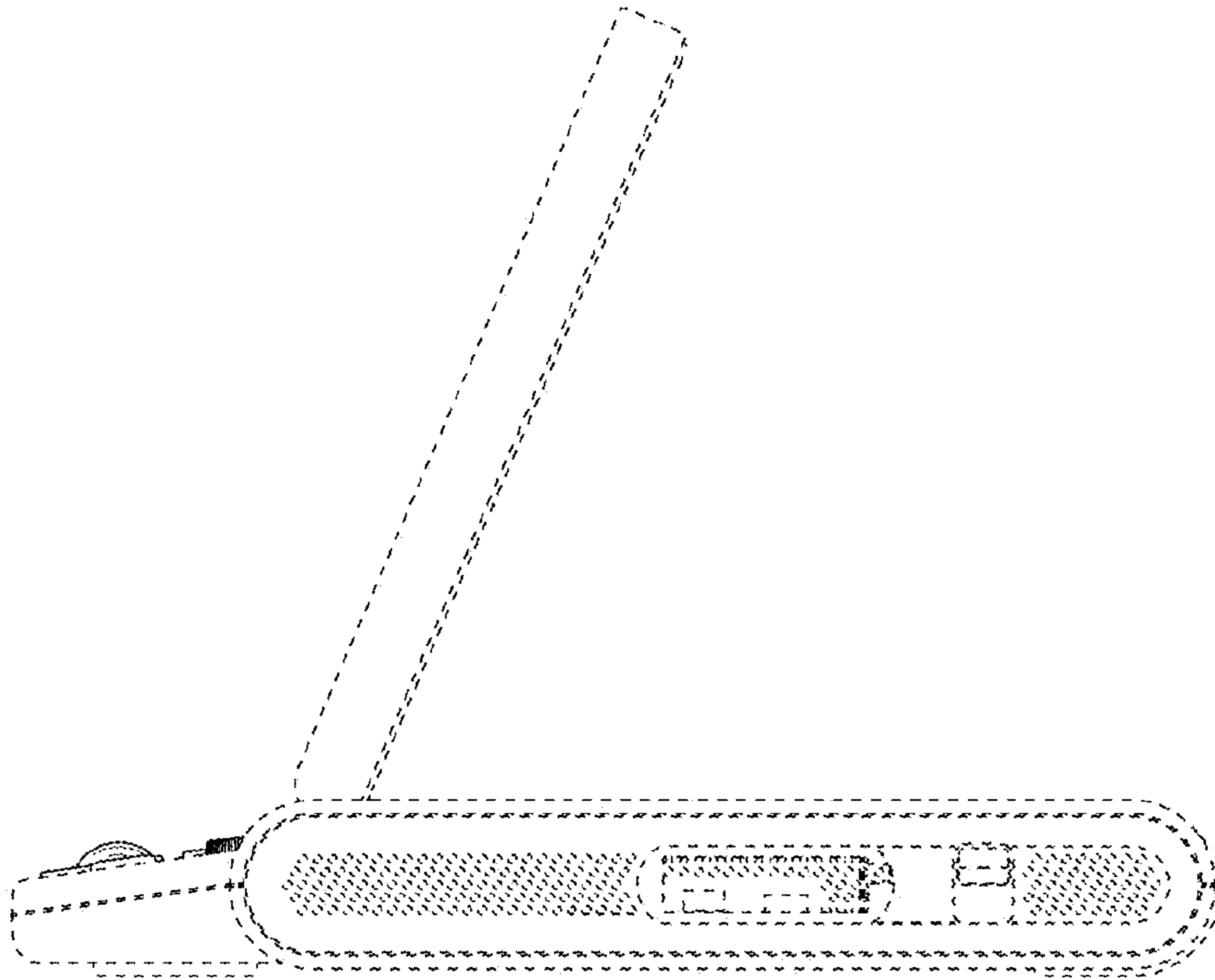


FIG. 5

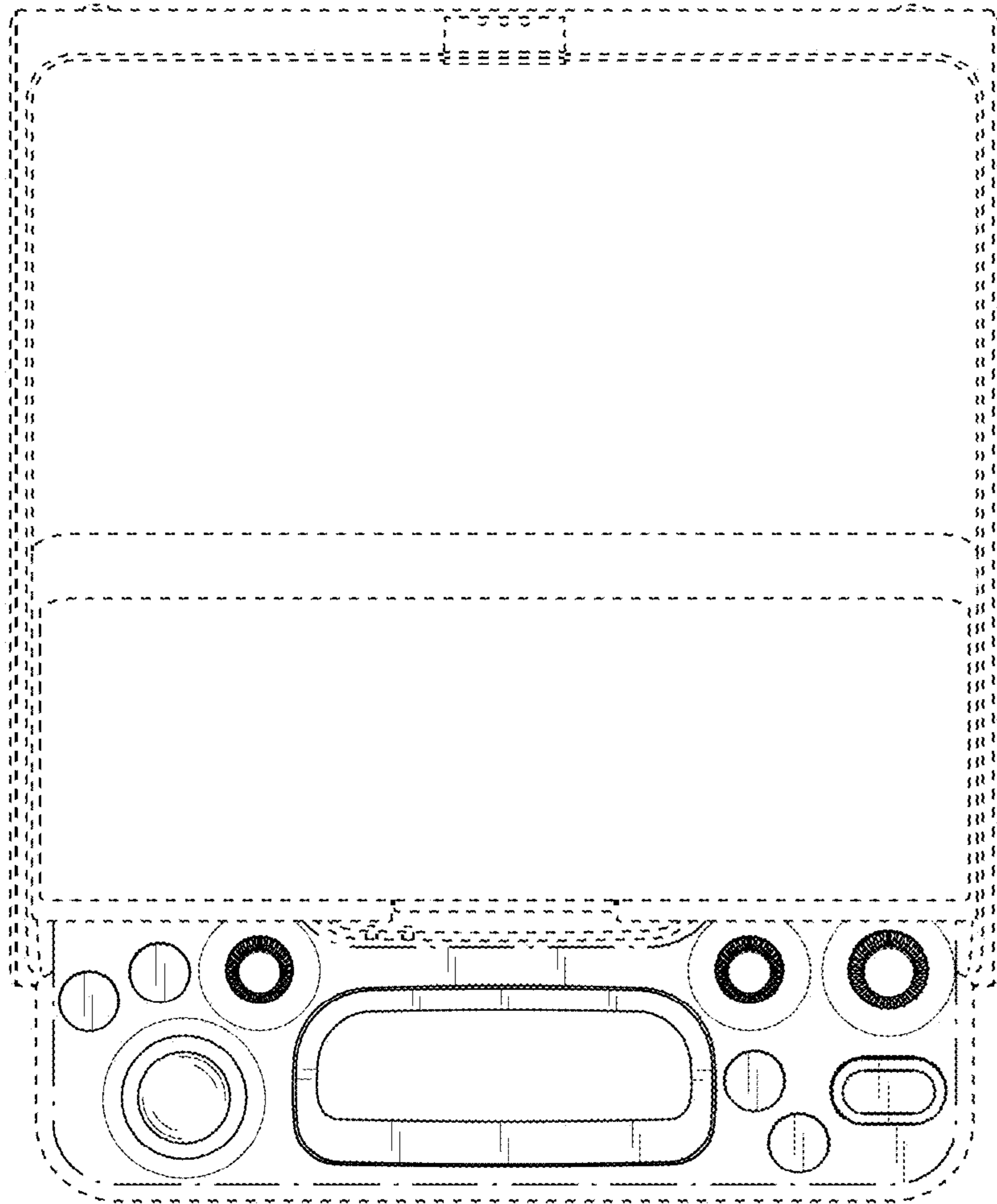


FIG. 6