



US00D725271S

(12) **United States Design Patent**
Chechik

(10) **Patent No.:** **US D725,271 S**

(45) **Date of Patent:** **** Mar. 24, 2015**

(54) **PUMP BULB WITH THREE LOBES FOR AN IMPLANTABLE PENILE PROSTHETIC**

7,946,975 B2 * 5/2011 George et al. 600/30
8,167,788 B2 * 5/2012 Fogarty et al. 600/40
8,337,392 B2 * 12/2012 Morningstar 600/40
8,617,050 B2 * 12/2013 Morningstar 600/37

(71) Applicant: **Coloplast A/S, Humlebaek (DK)**

(Continued)

(72) Inventor: **Joel Chechik, Minneapolis, MN (US)**

FOREIGN PATENT DOCUMENTS

(73) Assignee: **Coloplast A/S, Humlebaek (DK)**

EP 0065853 A1 12/1982
EP 0714300 A1 6/1996
EP 1220666 A2 7/2002

(**) Term: **14 Years**

(Continued)

(21) Appl. No.: **29/466,003**

OTHER PUBLICATIONS

(22) Filed: **Sep. 4, 2013**

AMS 700 Series Penile Prosthesis Users Guide 2001.
Extended Search Report of Nov. 5, 2013 from EPO.
Office Action mailed on Oct. 3, 2014 in U.S. Appl. No. 29/466,004.

Related U.S. Application Data

(63) Continuation of application No. 13/972,932, filed on Aug. 22, 2013.

(51) **LOC (10) Cl.** **24-02**

(52) **U.S. Cl.**
USPC **D24/155**

(58) **Field of Classification Search**
USPC D24/155-157, 165; D21/373, 386;
D9/769; D11/24; 600/30, 37, 40
See application file for complete search history.

Primary Examiner — Ian Simmons

Assistant Examiner — Charles Hanson

(74) *Attorney, Agent, or Firm* — Coloplast Corp., Coloplast A/S; Nick Baumann

(56) **References Cited**

(57) **CLAIM**

The ornamental design for a pump bulb with three lobes for an implantable penile prosthetic, as shown and described.

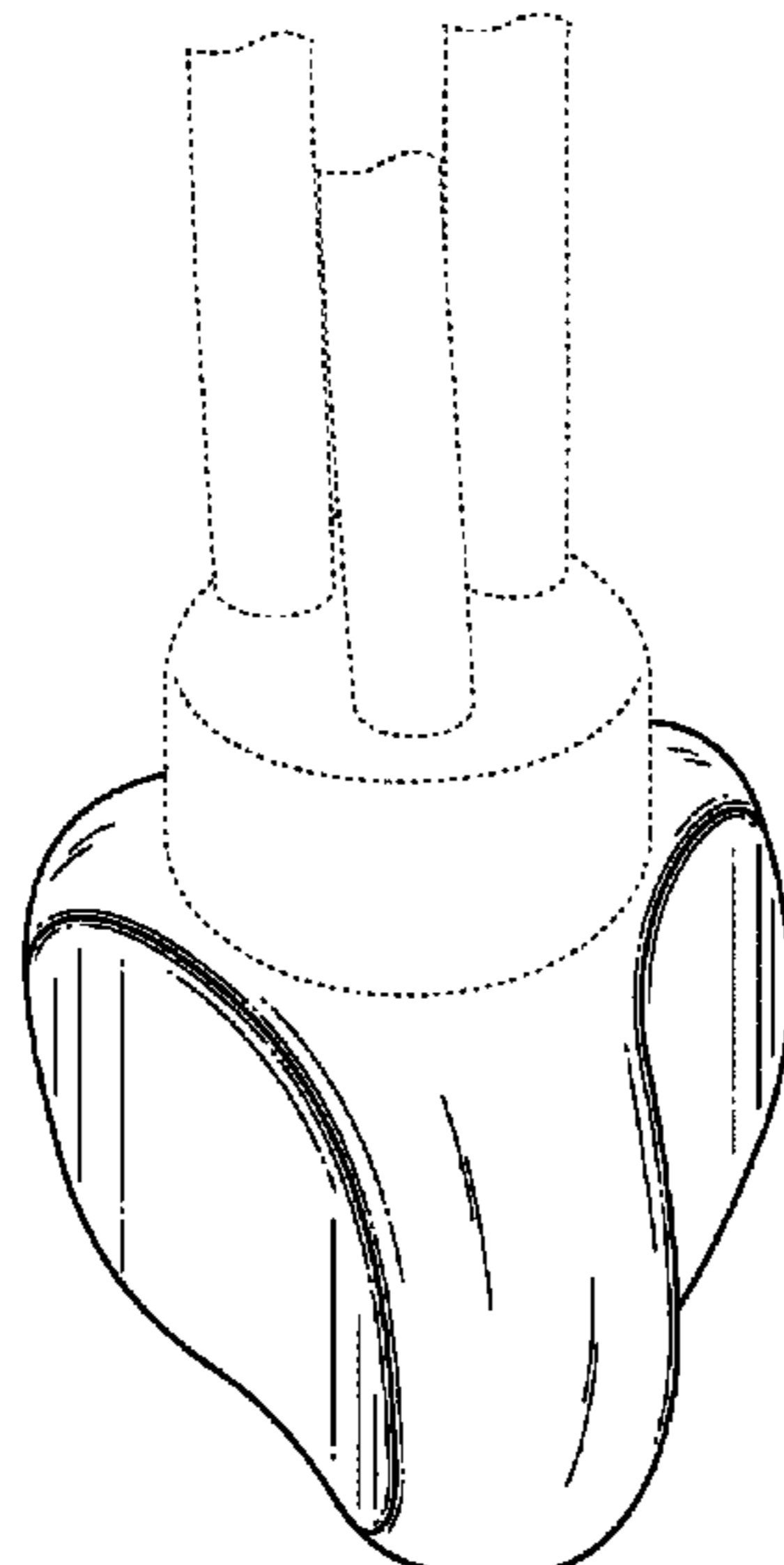
U.S. PATENT DOCUMENTS

DESCRIPTION

D233,898 S * 12/1974 Warren D21/373
4,407,278 A 10/1983 Burton et al.
4,881,530 A 11/1989 Trick
D314,018 S * 1/1991 Rosenthal D21/373
5,062,417 A 11/1991 Cowen
5,167,611 A 12/1992 Cowan
5,250,020 A 10/1993 Bley
5,263,981 A * 11/1993 Polyak et al. 623/23.67
5,704,895 A * 1/1998 Scott et al. 600/40
D412,537 S * 8/1999 Underwood D21/373
D414,219 S * 9/1999 Karls D21/386
6,015,380 A * 1/2000 Subrini 600/40
7,914,439 B2 * 3/2011 Kuyava et al. 600/40

FIG. 1 is a perspective view of a pump bulb with three lobes for an implantable penile prosthetic showing my new design; FIG. 2 is a front view thereof; FIG. 3 is a back side view thereof; FIG. 4 is a left side view thereof; the right side being a mirror image, FIG. 5 is a top view thereof; and, FIG. 6 is a bottom view thereof. In FIGS. 1-5 the broken lines illustrate conduits connected to the pump bulb and form no part of the claimed design.

1 Claim, 4 Drawing Sheets



(56)

References Cited

FOREIGN PATENT DOCUMENTS

U.S. PATENT DOCUMENTS

8,641,601 B2 * 2/2014 Ellering 600/40
2004/0138523 A1 7/2004 Kuyava et al.

WO 9505172 A1 2/1995
WO 0059491 A2 10/2000

* cited by examiner

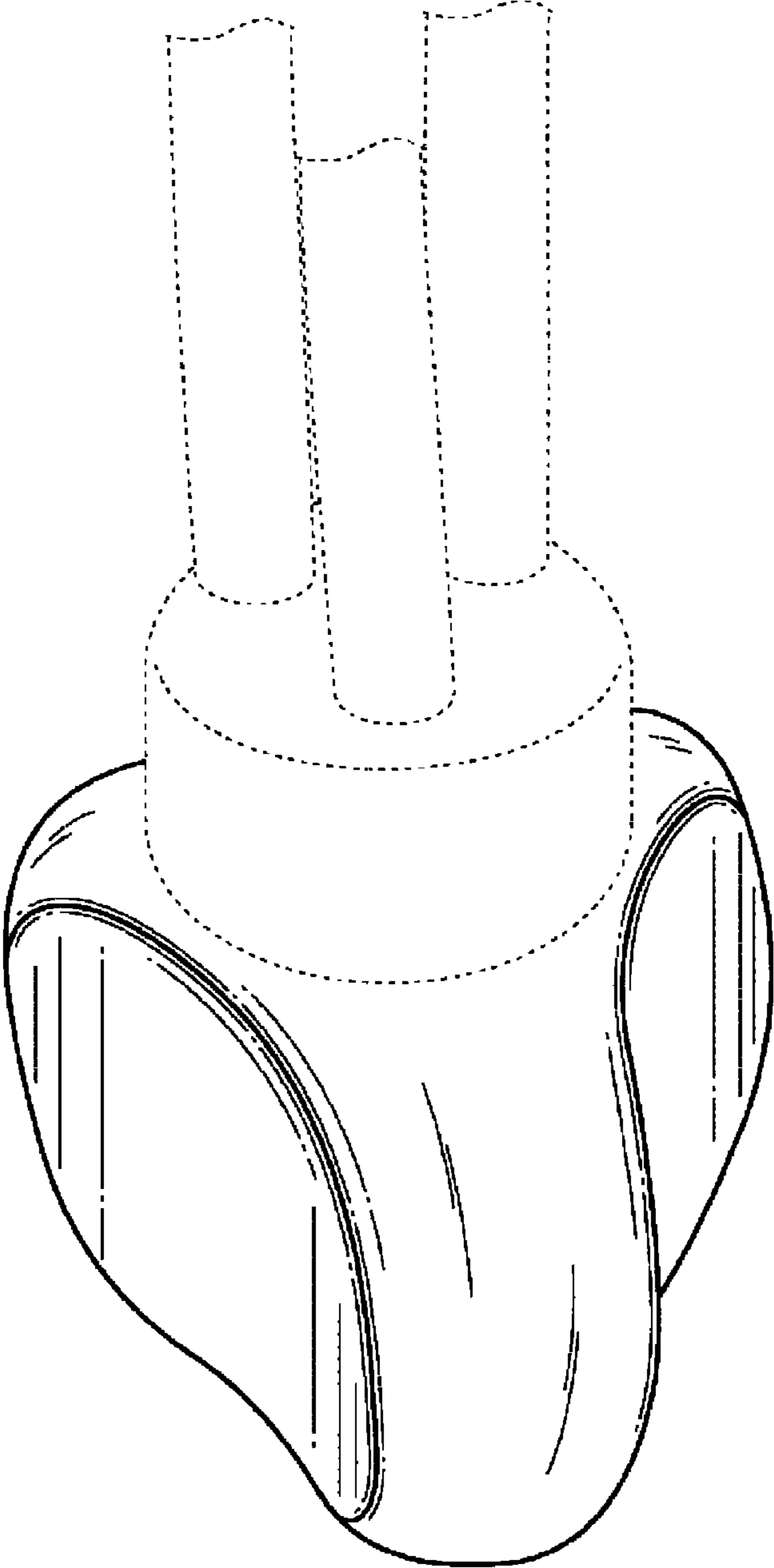


Fig. 1

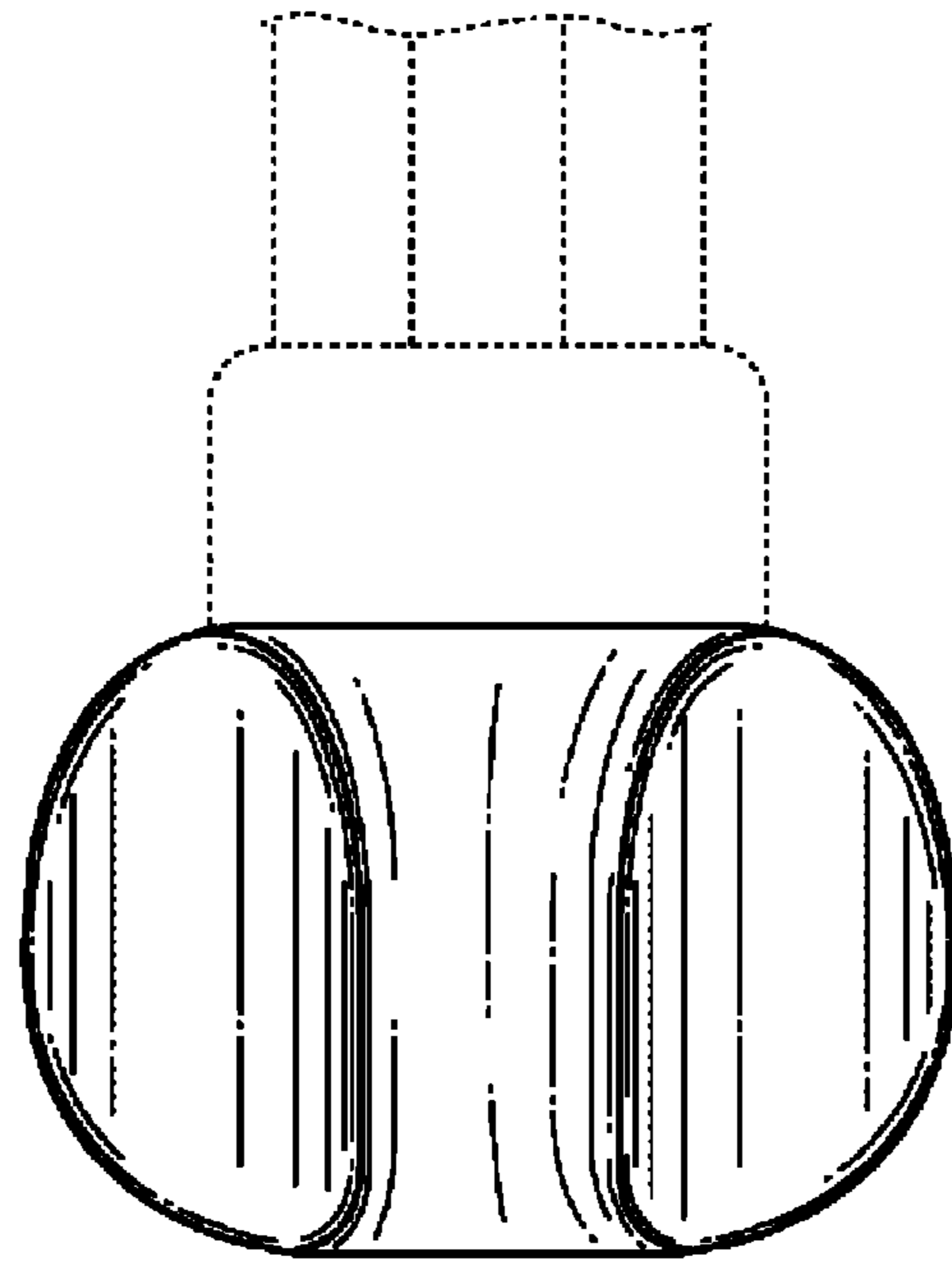


Fig. 2

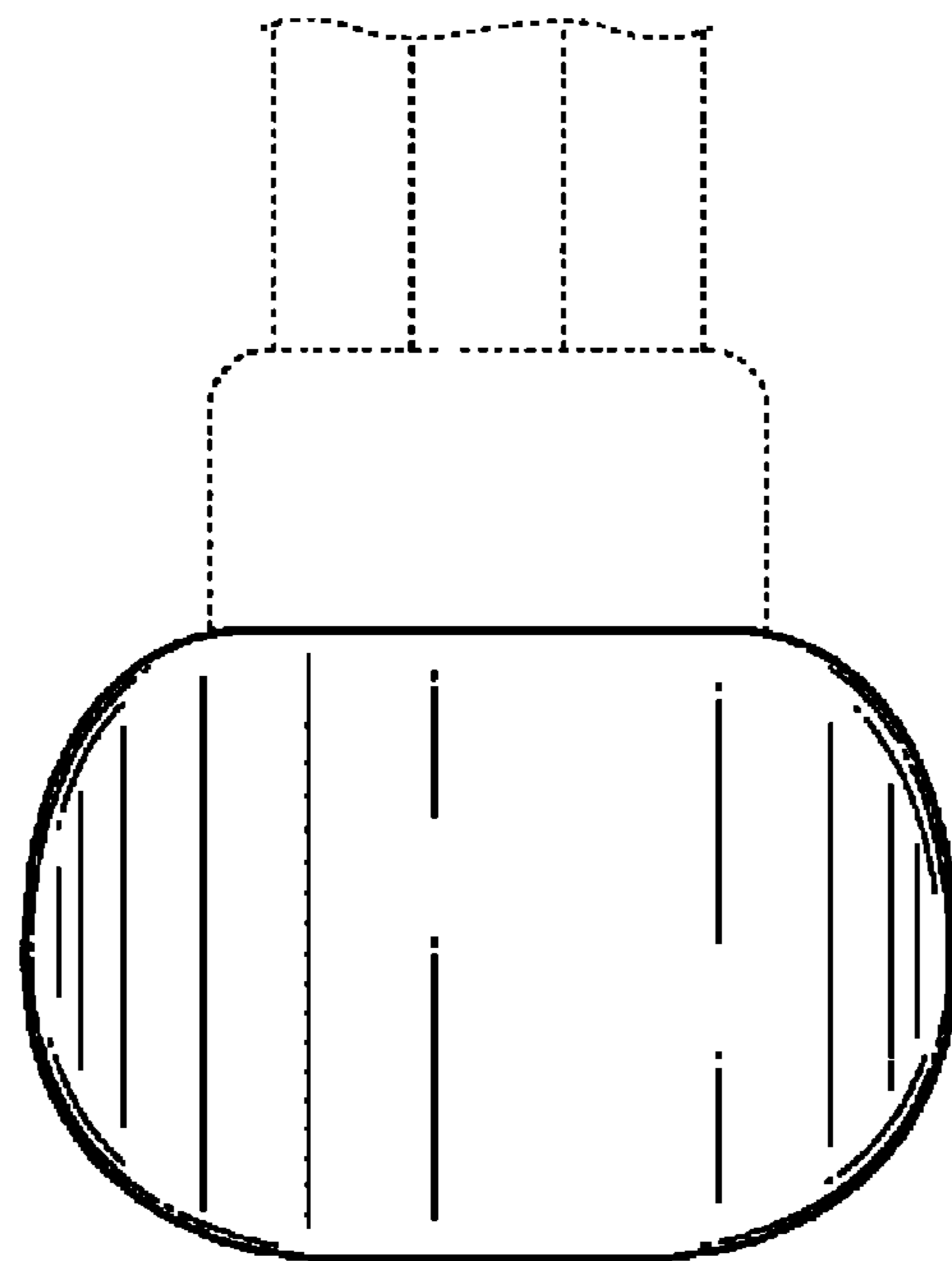


Fig. 3

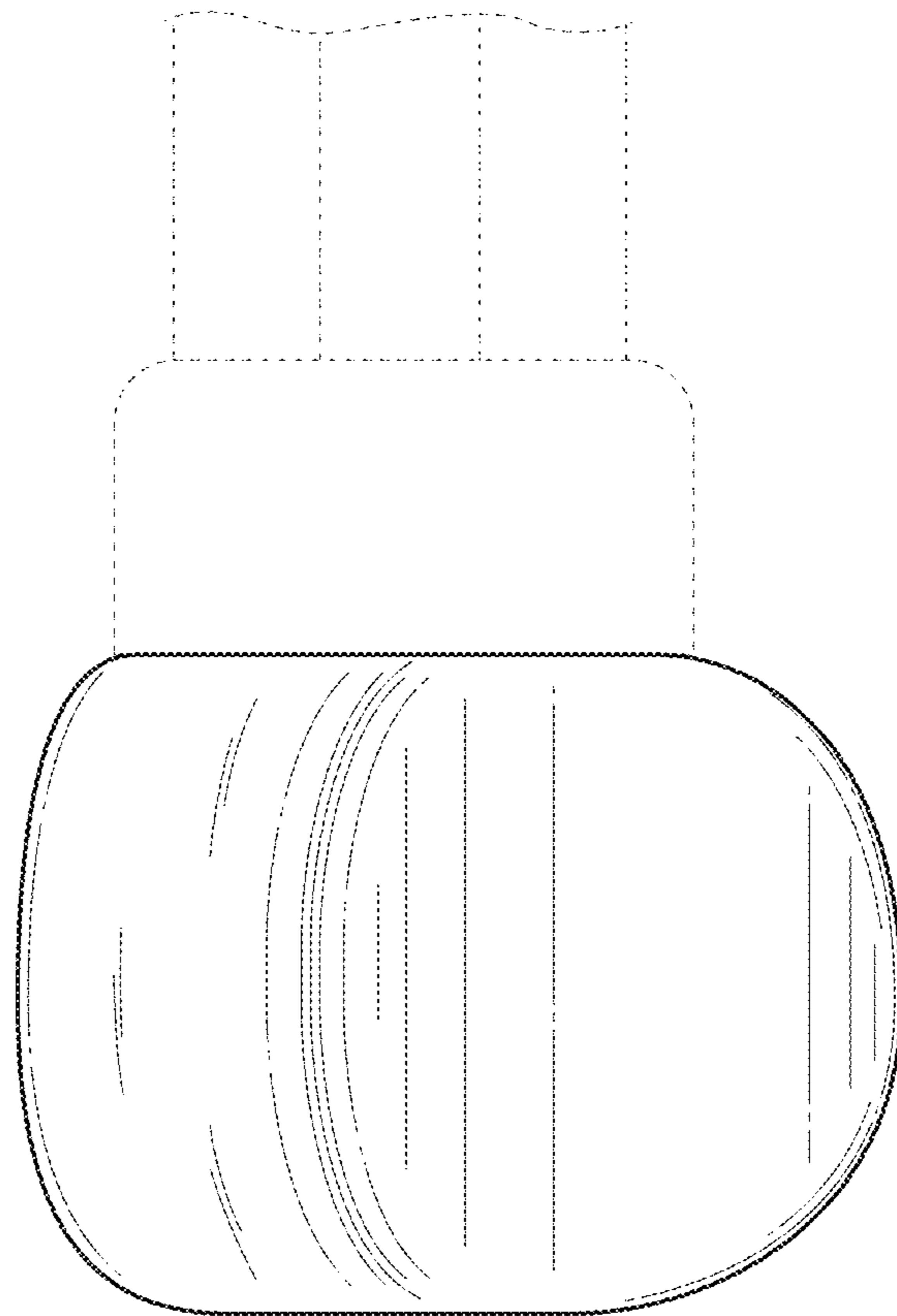


Fig. 4

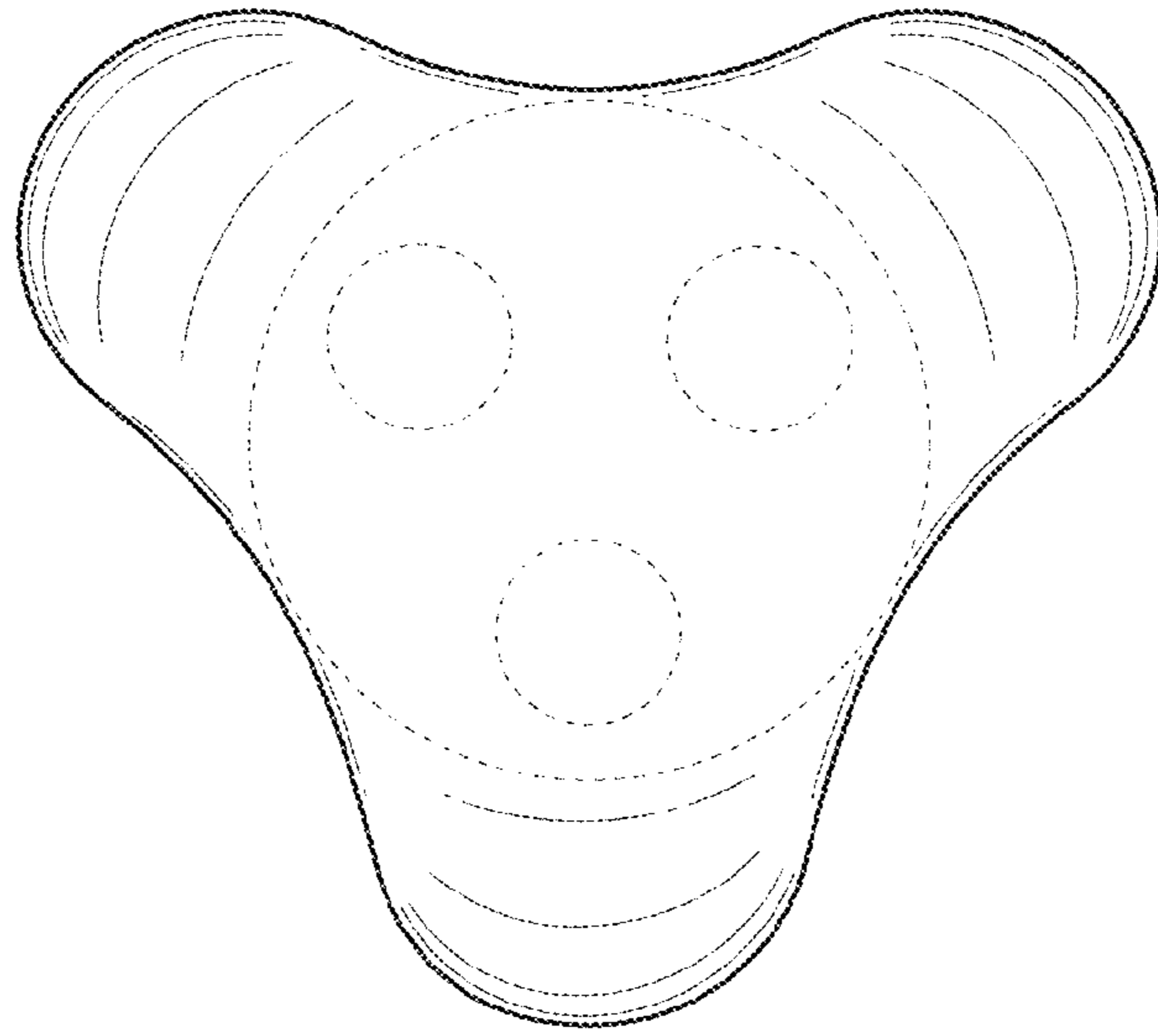


Fig. 5

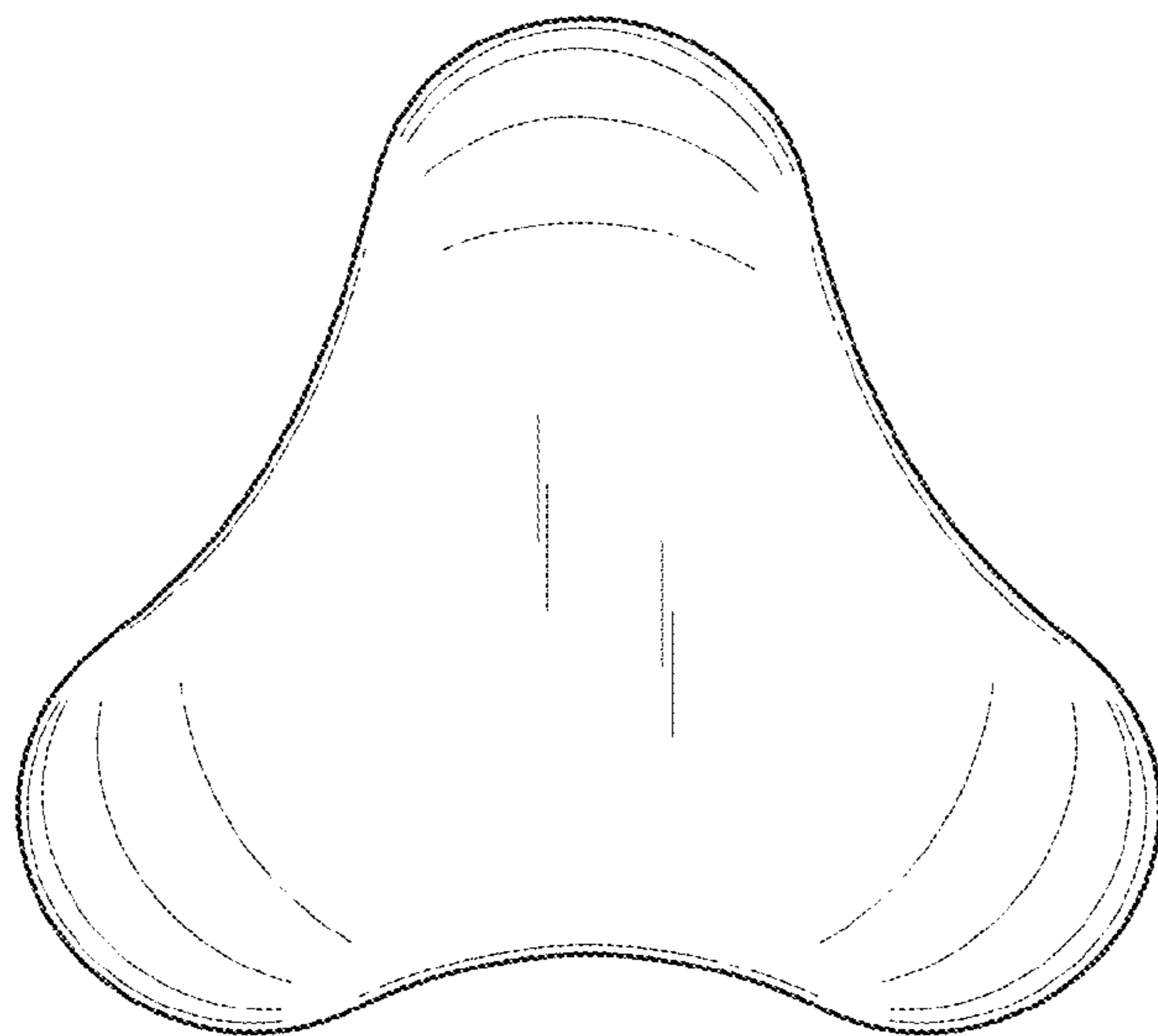


Fig. 6