



US00D725270S

(12) **United States Design Patent**
Malik et al.

(10) **Patent No.:** **US D725,270 S**
(45) **Date of Patent:** **** Mar. 24, 2015**

(54) **INTERVERTEBRAL IMPLANT**

- (71) Applicant: **NuVasive, Inc.**, San Diego, CA (US)
- (72) Inventors: **Jeremy Malik**, San Diego, CA (US);
Hyun W. Bae, Los Angeles, CA (US);
Nitin Khanna, Chicago, IL (US);
Benjamin Arnold, San Diego, CA (US);
David Reveley, San Diego, CA (US)
- (73) Assignee: **NuVasive, Inc.**, San Diego, CA (US)
- (**) Term: **14 Years**
- (21) Appl. No.: **29/459,170**
- (22) Filed: **Jun. 26, 2013**

Related U.S. Application Data

- (63) Continuation of application No. 13/312,980, filed on Dec. 6, 2011, now abandoned.
- (51) **LOC (10) Cl.** **24-02**
- (52) **U.S. Cl.**
USPC **D24/155**
- (58) **Field of Classification Search**
USPC D24/155, 133; 623/17.11, 17.15, 17.16,
623/17.12; 606/90, 86 A, 248, 249
See application file for complete search history.

(56) **References Cited**

U.S. PATENT DOCUMENTS

D340,982 S *	11/1993	Terino	D24/155
6,626,944 B1 *	9/2003	Taylor	623/17.16
7,621,951 B2 *	11/2009	Glenn et al.	623/17.11
7,632,313 B2 *	12/2009	Bhatnagar et al.	623/17.16
D623,746 S *	9/2010	Laskowitz et al.	D24/155
D681,204 S *	4/2013	Farris et al.	D24/155
D700,333 S *	2/2014	Fessler	D24/155

* cited by examiner

Primary Examiner — Ian Simmons

Assistant Examiner — Charles Hanson

(74) *Attorney, Agent, or Firm* — Jonathan Spangler; Jennifer Russell

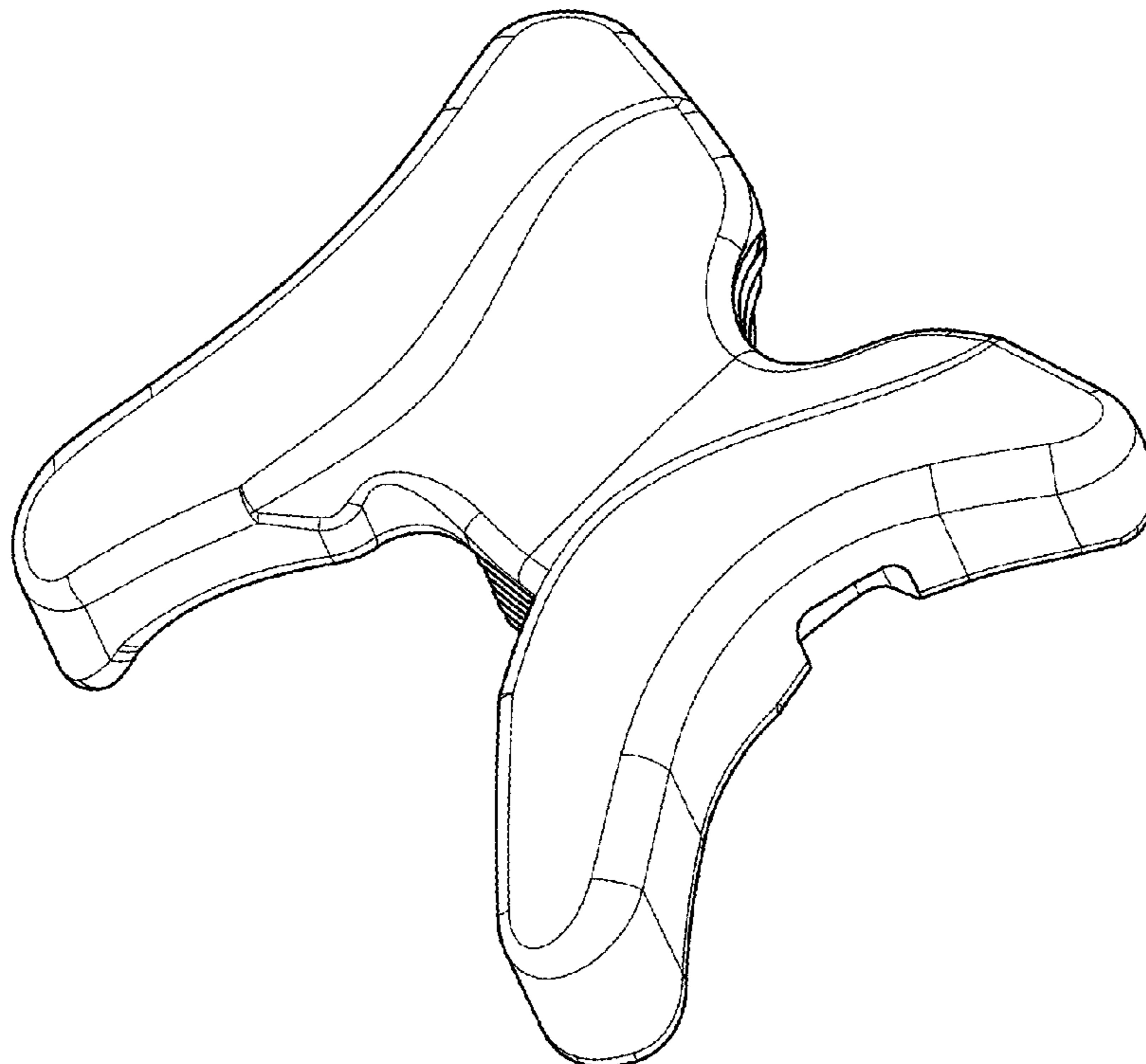
(57) **CLAIM**

The ornamental design for an intervertebral implant, substantially as shown and described.

DESCRIPTION

FIG. 1 is a front view of an intervertebral implant showing our new design;
 FIG. 2 is a back view thereof;
 FIG. 3 is a side view thereof;
 FIG. 4 is a top view thereof;
 FIG. 5 is a bottom view thereof;
 FIG. 6 is a perspective front view thereof;
 FIG. 7 is a perspective bottom and back view thereof; and,
 FIG. 8 is a perspective top and back view thereof.

1 Claim, 5 Drawing Sheets



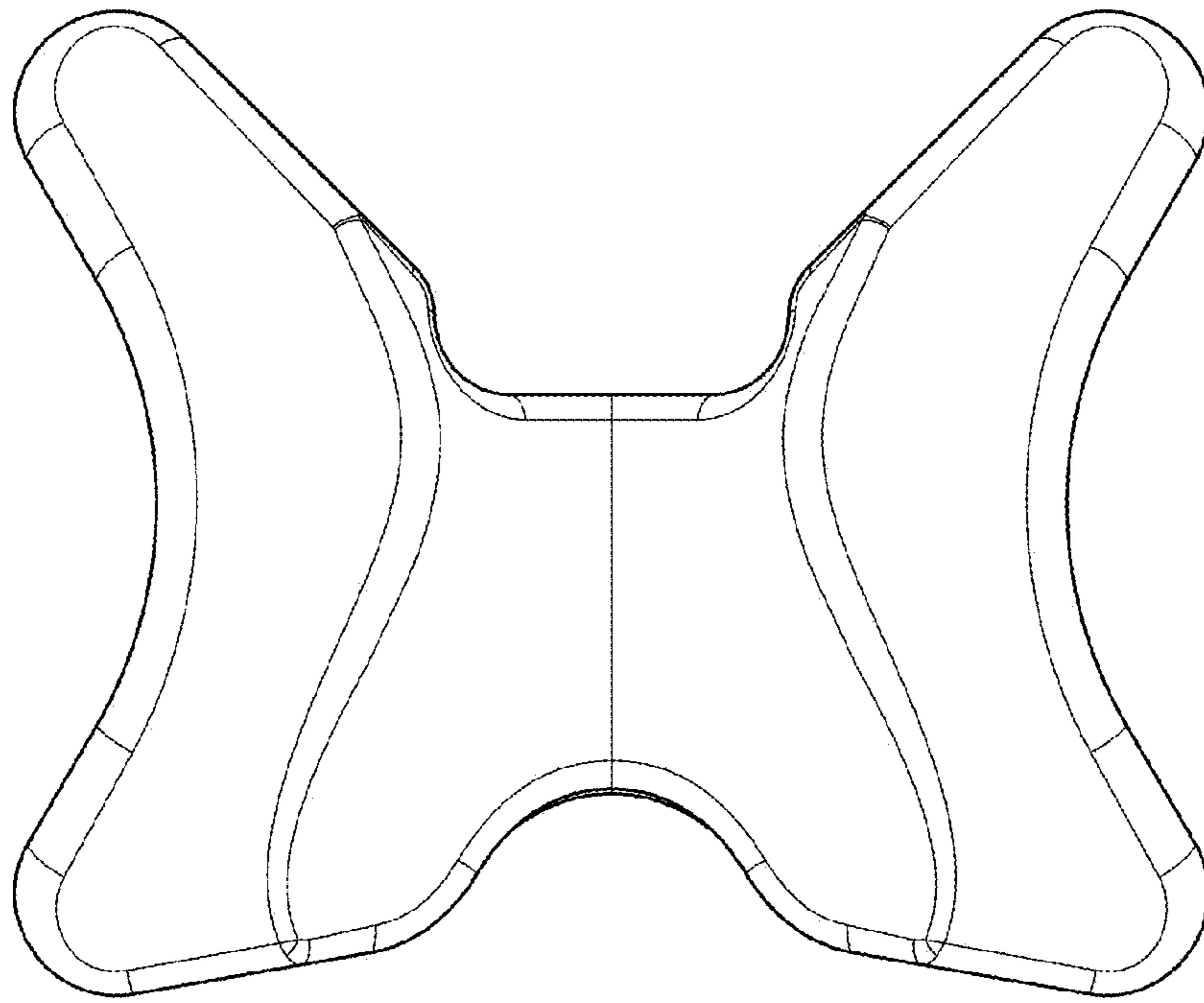


FIG. 1

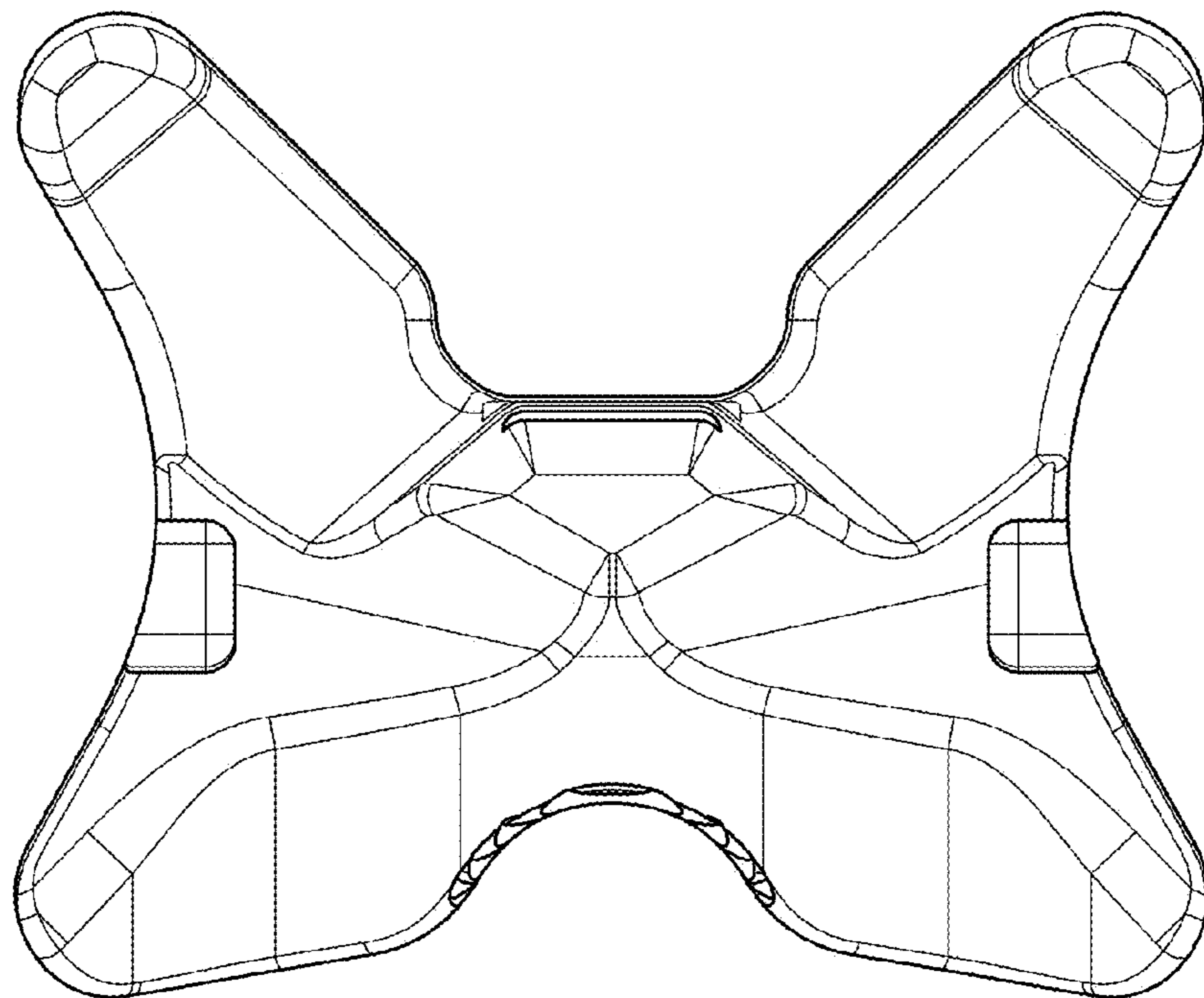


FIG. 2

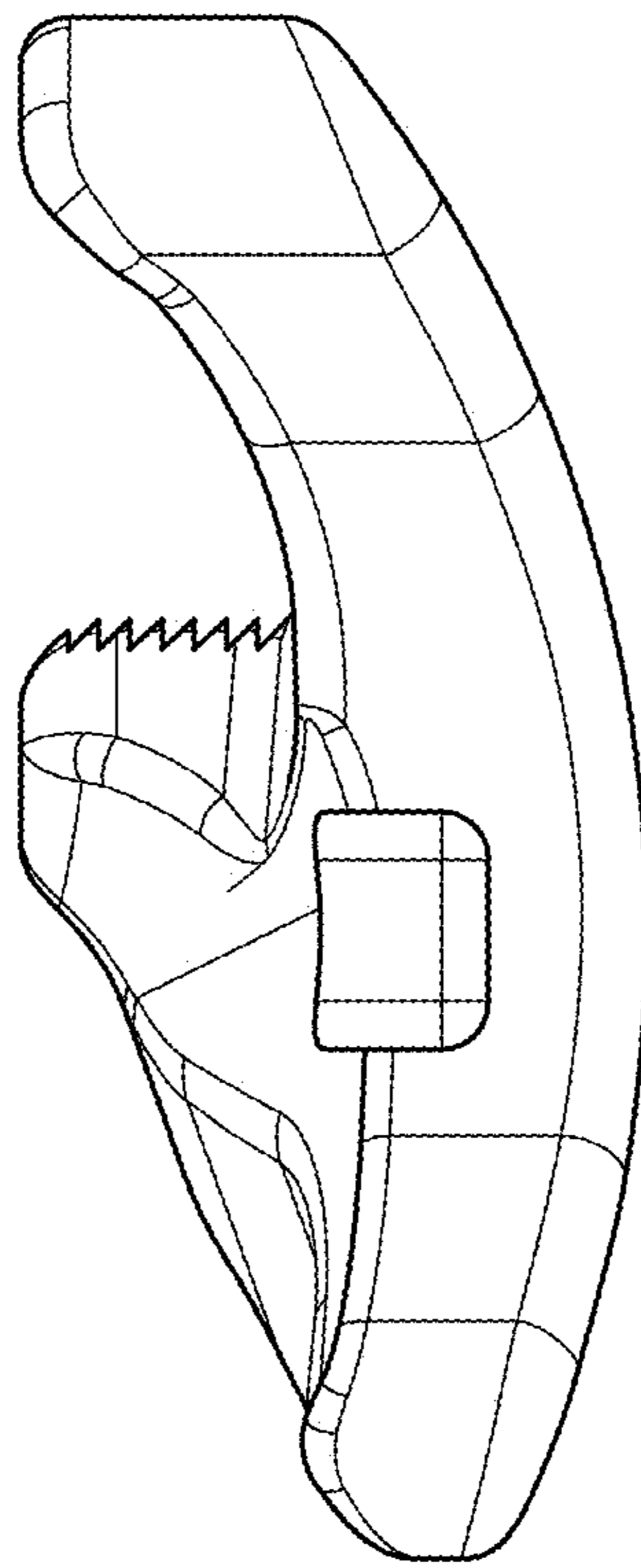


FIG. 3

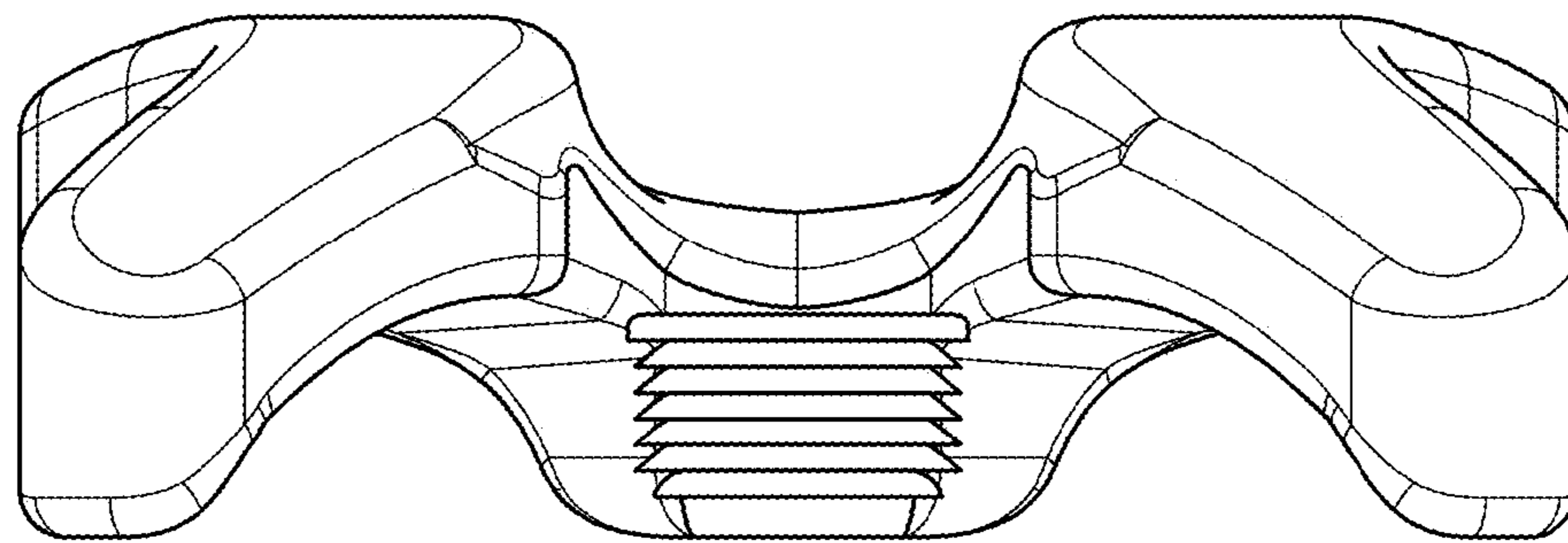


FIG. 4

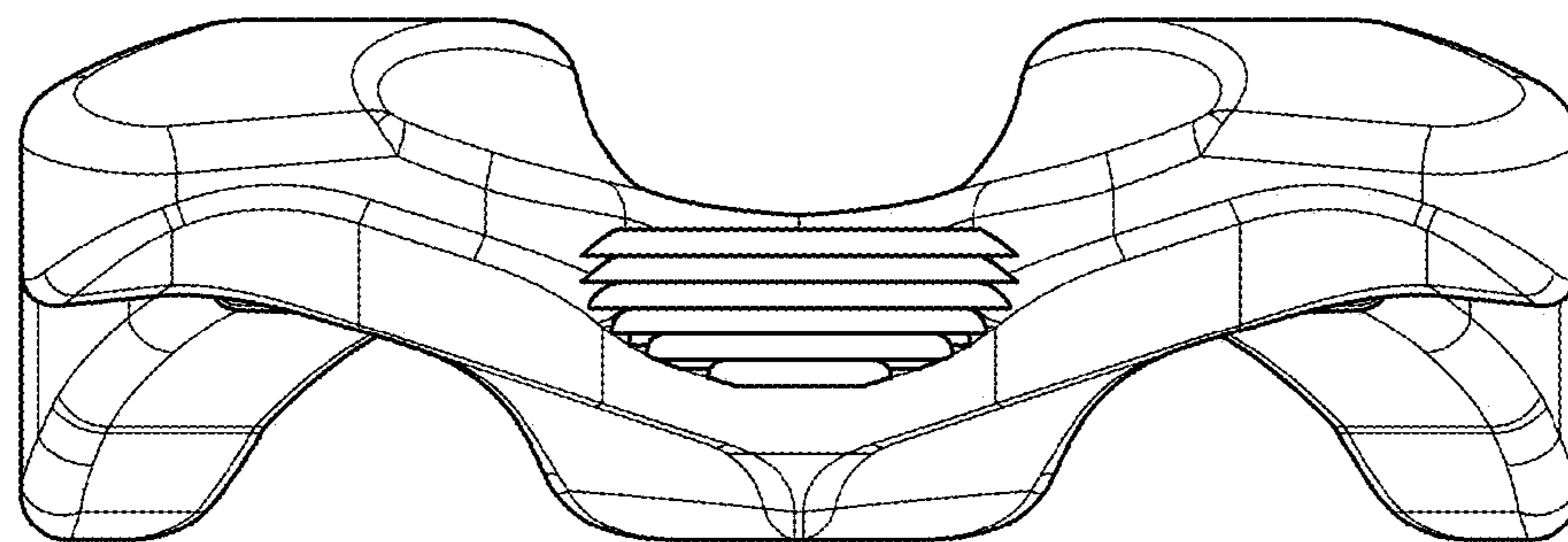


FIG. 5

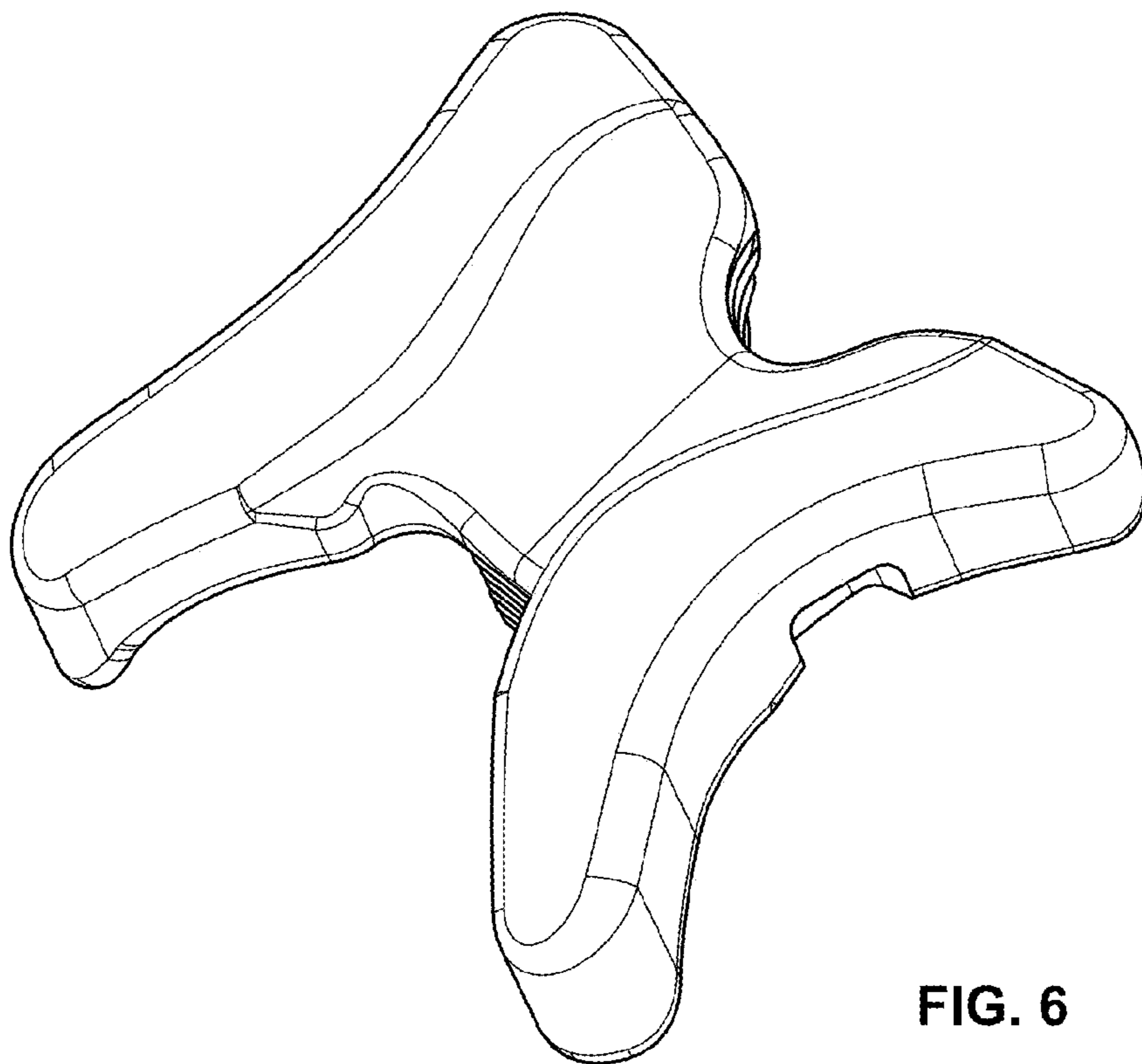


FIG. 6

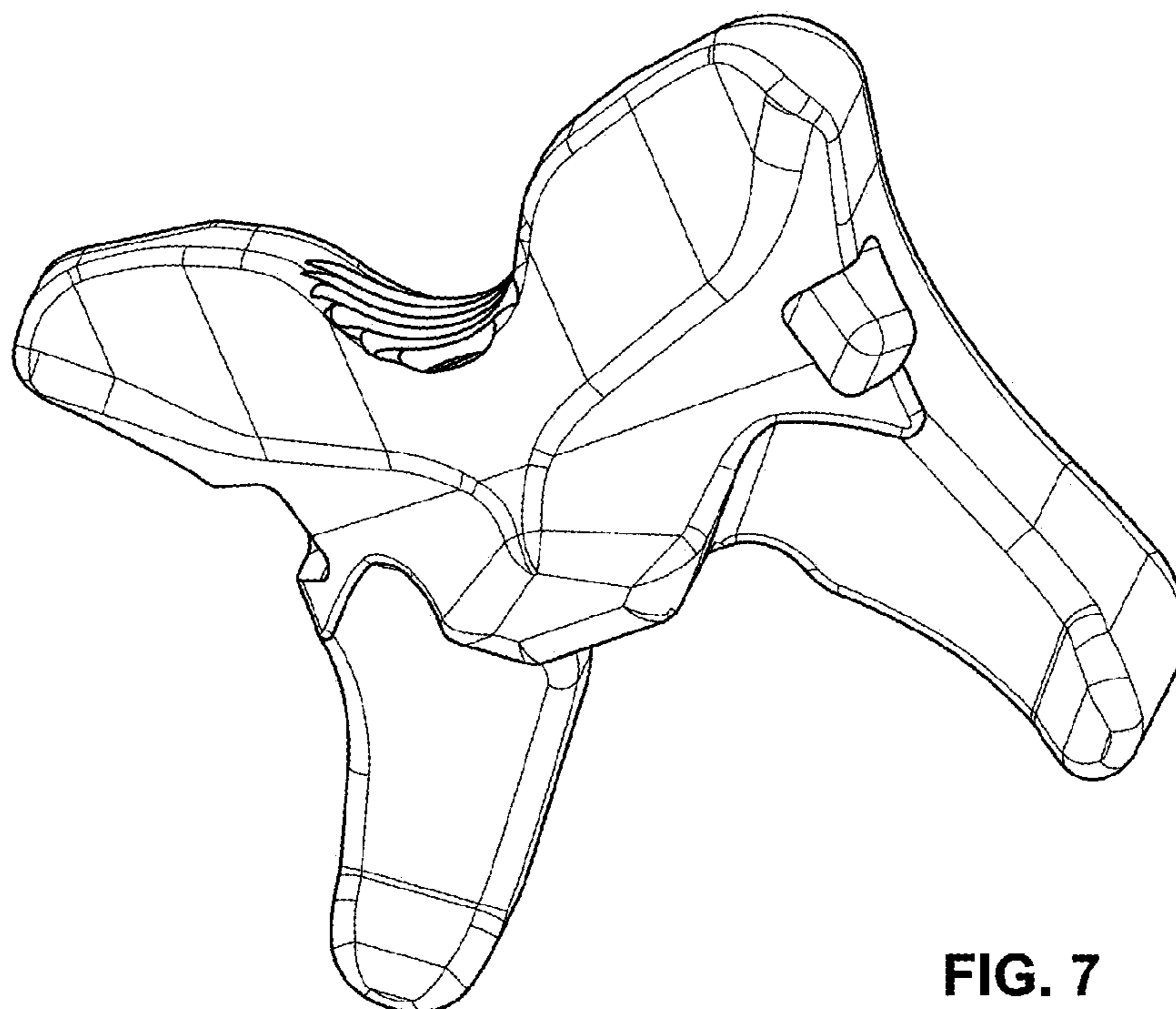


FIG. 7

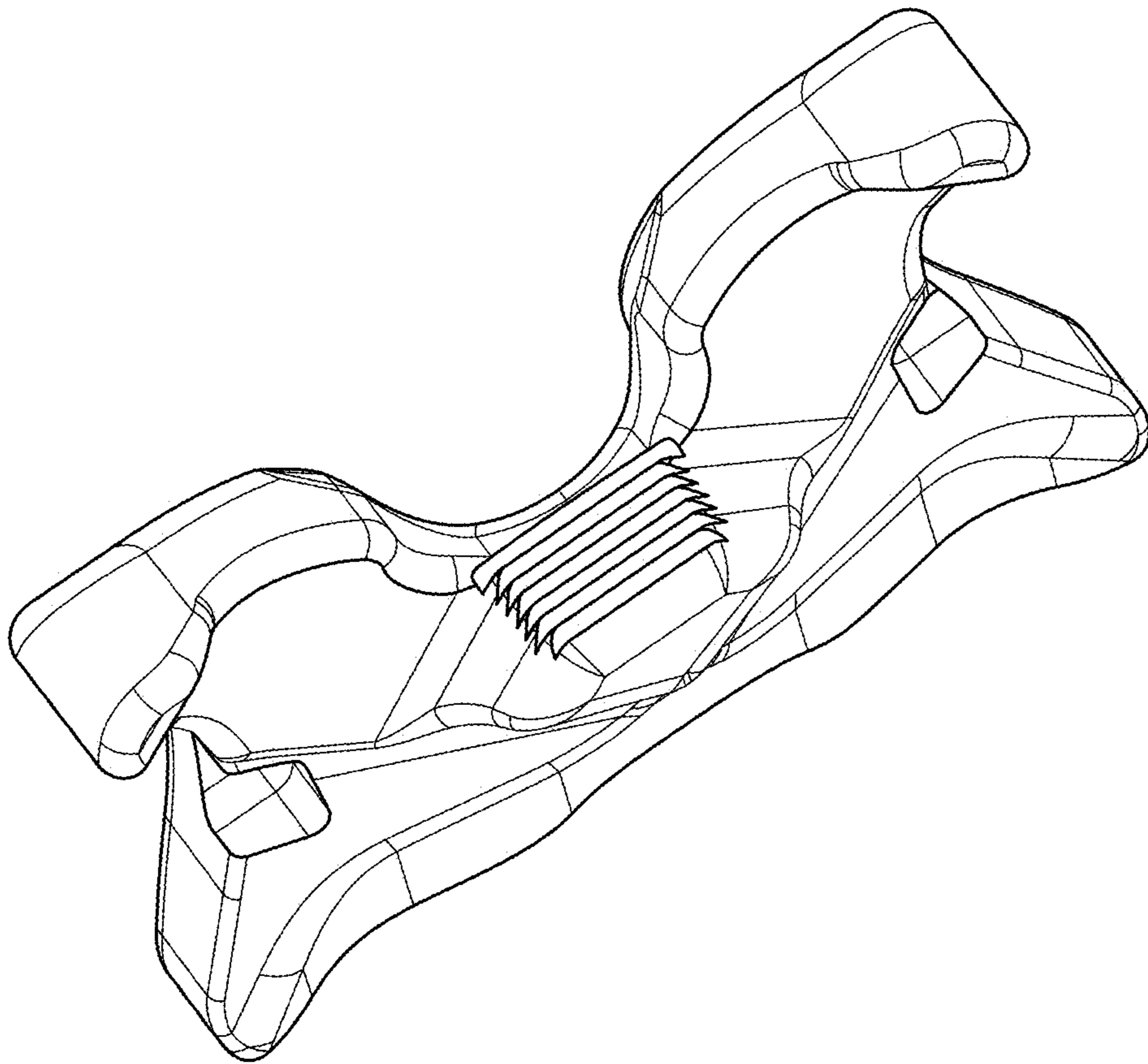


FIG. 8