



US00D725265S

(12) **United States Design Patent**  
**John et al.**

(10) **Patent No.:** **US D725,265 S**  
(45) **Date of Patent:** **\*\* Mar. 24, 2015**

(54) **GRASPER**

(71) Applicant: **United States Endoscopy Group, Inc.**,  
Mentor, OH (US)

(72) Inventors: **Keith R. John**, Chardon, OH (US);  
**Stephen T. Pastor**, Sagamore Hills, OH  
(US); **Scott Haack**, Chardon, OH (US);  
**Steven J. Torer**, Willoughby, OH (US)

(73) Assignee: **United States Endoscopy Group, Inc.**,  
Mentor, OH (US)

(\*\*) Term: **14 Years**

(21) Appl. No.: **29/493,931**

(22) Filed: **Jun. 16, 2014**

**Related U.S. Application Data**

(63) Continuation of application No. 29/462,413, filed on  
Aug. 2, 2013, now Pat. No. Des. 710,006, which is a  
continuation of application No. 29/401,032, filed on  
Sep. 6, 2011, now Pat. No. Des. 689,606.

(51) **LOC (10) Cl.** ..... **24-02**

(52) **U.S. Cl.**  
USPC ..... **D24/133; D24/143**

(58) **Field of Classification Search**

USPC ..... D24/133, 143, 144, 145, 146-149, 153,  
D24/138; 606/142, 143, 205, 207, 49-52,  
606/107, 206, 208, 101  
See application file for complete search history.

(56) **References Cited**

**U.S. PATENT DOCUMENTS**

D351,653 S \* 10/1994 Koros et al. .... D24/143  
8,066,721 B2 \* 11/2011 Kortenbach et al. .... 606/142  
8,070,759 B2 \* 12/2011 Stefanchik et al. .... 606/139

*Primary Examiner* — Mark Goodwin

(74) *Attorney, Agent, or Firm* — Calfee, Halter & Griswold  
LLP

(57) **CLAIM**

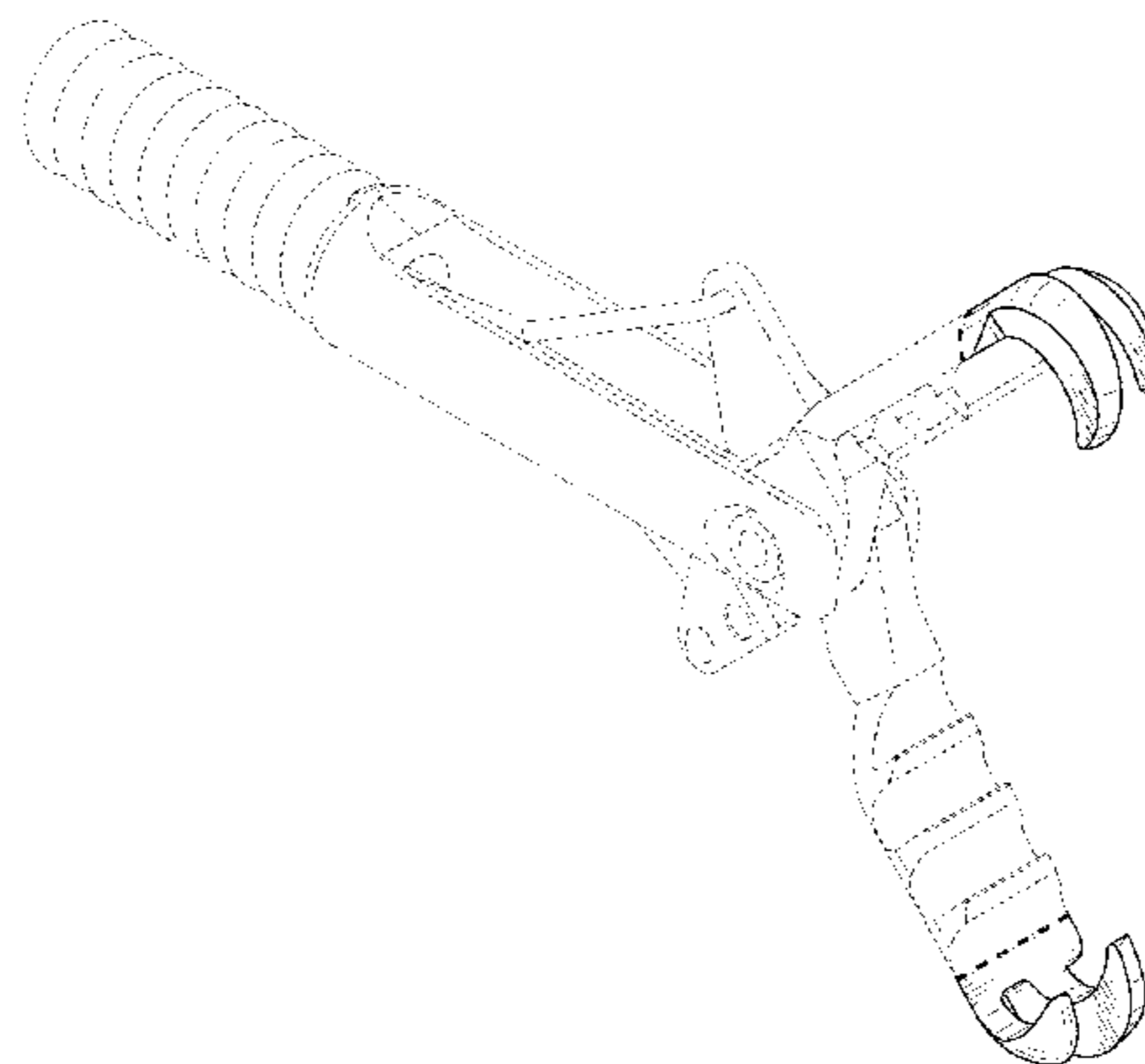
The ornamental design for a grasper, as shown and described.

**DESCRIPTION**

FIG. 1 is a right perspective view of a grasper showing the new design, with a pair of jaws in an open position; FIG. 2 is a right perspective view of the grasper of FIG. 1, showing the pair of jaws in a closed position; FIG. 3 is a right side view of the grasper of FIG. 1, showing the pair of jaws in the open position; FIG. 4 is a front view of the grasper of FIG. 1, showing the pair of jaws in the open position; FIG. 5 is a front view of the grasper of FIG. 1, showing the pair of jaws in the closed position; FIG. 6 is a right side view of the grasper of FIG. 1, showing the pair of jaws in the closed position; FIG. 7 is a perspective exploded view of the grasper of FIG. 1, showing the upper jaw in the foreground and the lower jaw in the background; FIG. 8 is a right side view of the upper jaw of FIG. 7; FIG. 9 is a front view of the upper jaw of FIG. 7; FIG. 10 is a bottom view of the upper jaw of FIG. 7; FIG. 11 is a right side view of the lower jaw of FIG. 7; FIG. 12 is a bottom view of the lower jaw of FIG. 7; FIG. 13 is a rear view of the lower jaw of FIG. 7; FIG. 14 is a front perspective view of the lower jaw of FIG. 7; FIG. 15 is a rear perspective view of the lower jaw of FIG. 7; FIG. 16 is an enlarged view of the lower jaw, as shown in the perspective view of FIG. 7; FIG. 17 is an enlarged view of the upper jaw, as shown in the perspective view of FIG. 7; FIG. 18 is an enlarged view of the upper jaw, as shown in the right side view of FIG. 8; FIG. 19 is an enlarged view of the upper jaw, as shown in the bottom view of FIG. 10; FIG. 20 is an enlarged view of the lower jaw, as shown in the right side view of FIG. 11; and, FIG. 21 is an enlarged view of the lower jaw, as shown in the bottom view of FIG. 12.

The portions of the Figures shown in phantom lines are for illustrative purpose only and form no part of the claimed design. The dash-dot-dashed lines are boundary lines and identify the boundary between the claimed design and the unclaimed part of the figures. The boundary lines are located on lines that were solid lines in the priority application and form no part of the claimed design.

**1 Claim, 7 Drawing Sheets**



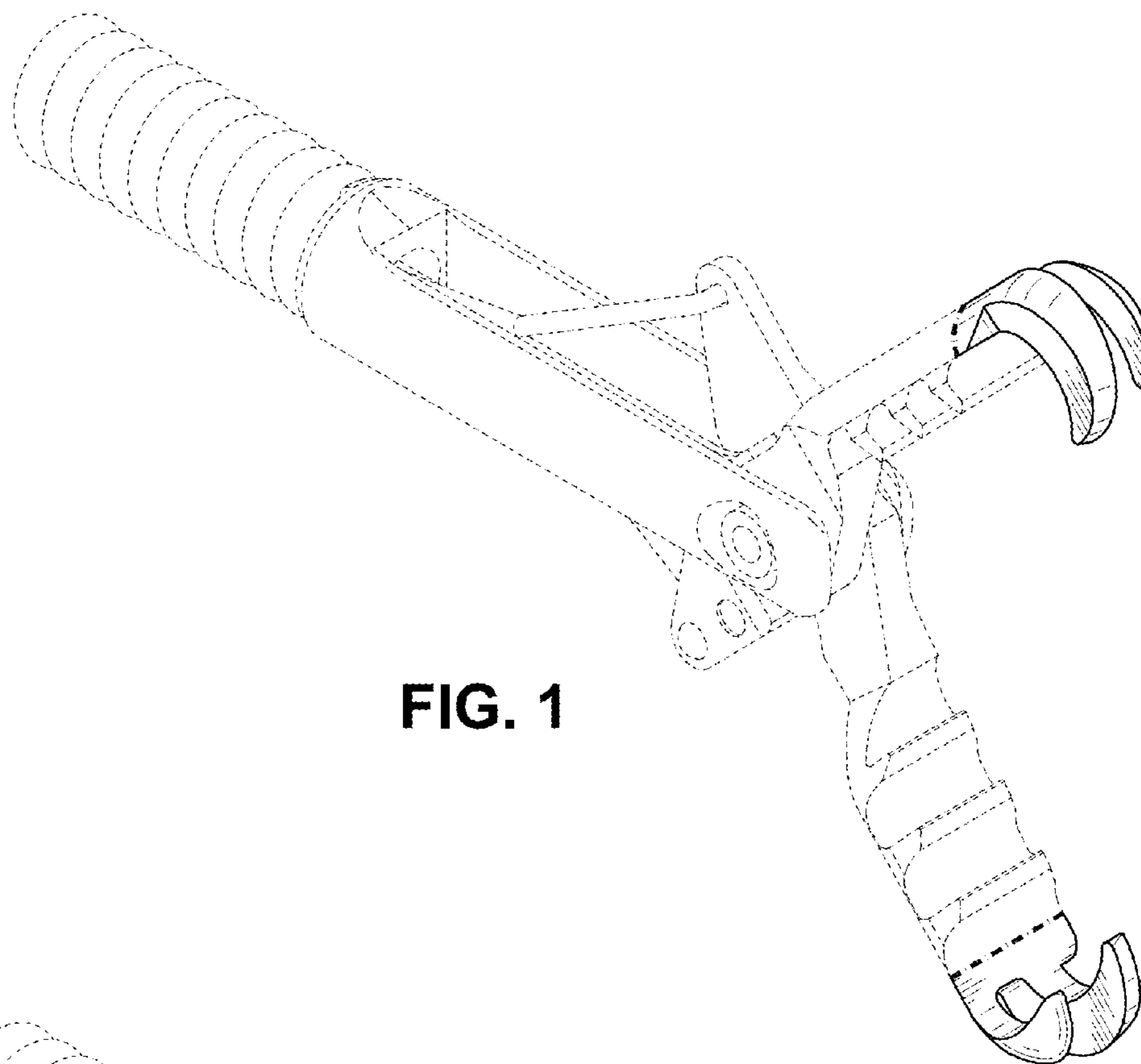


FIG. 1

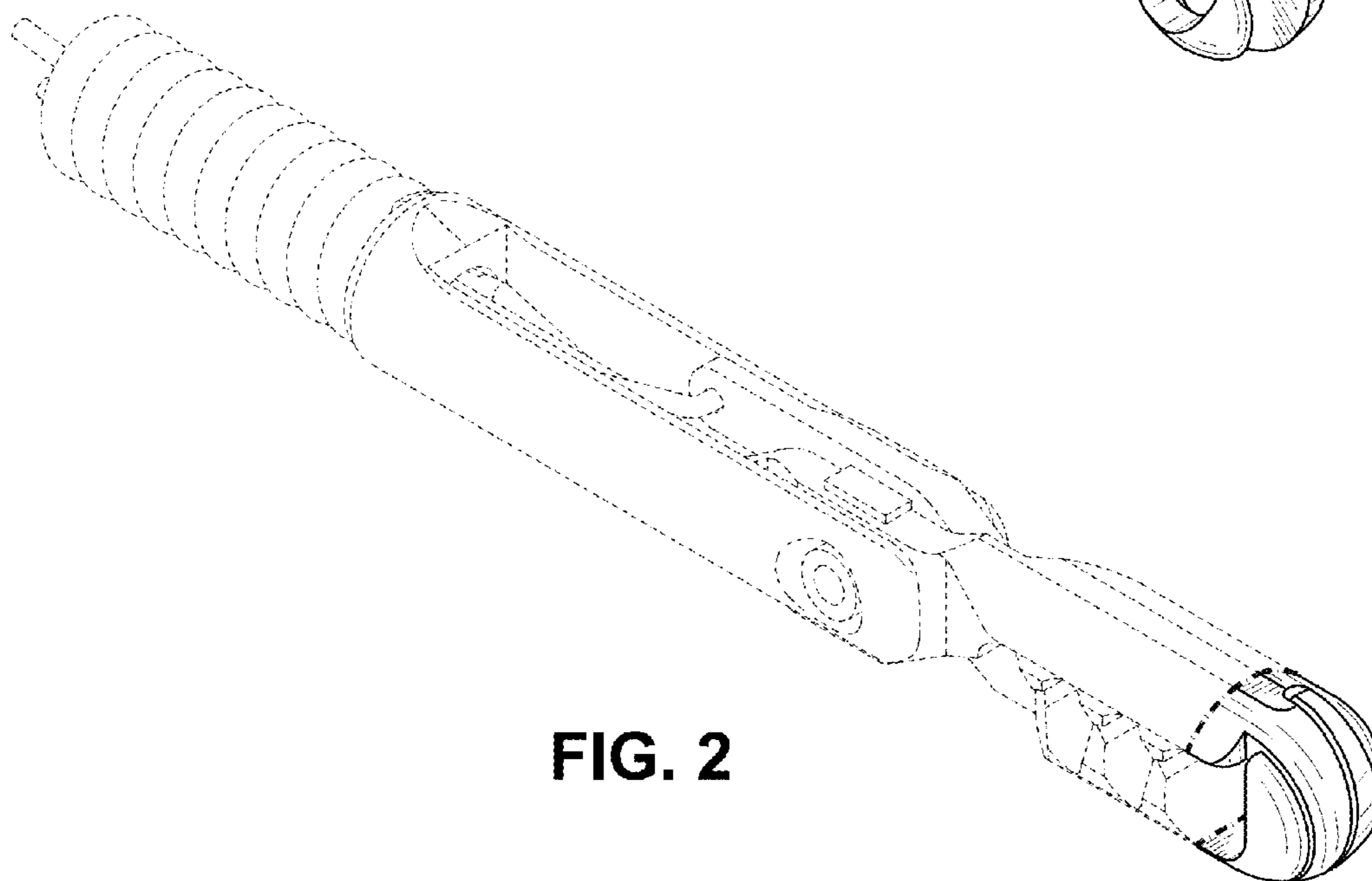


FIG. 2

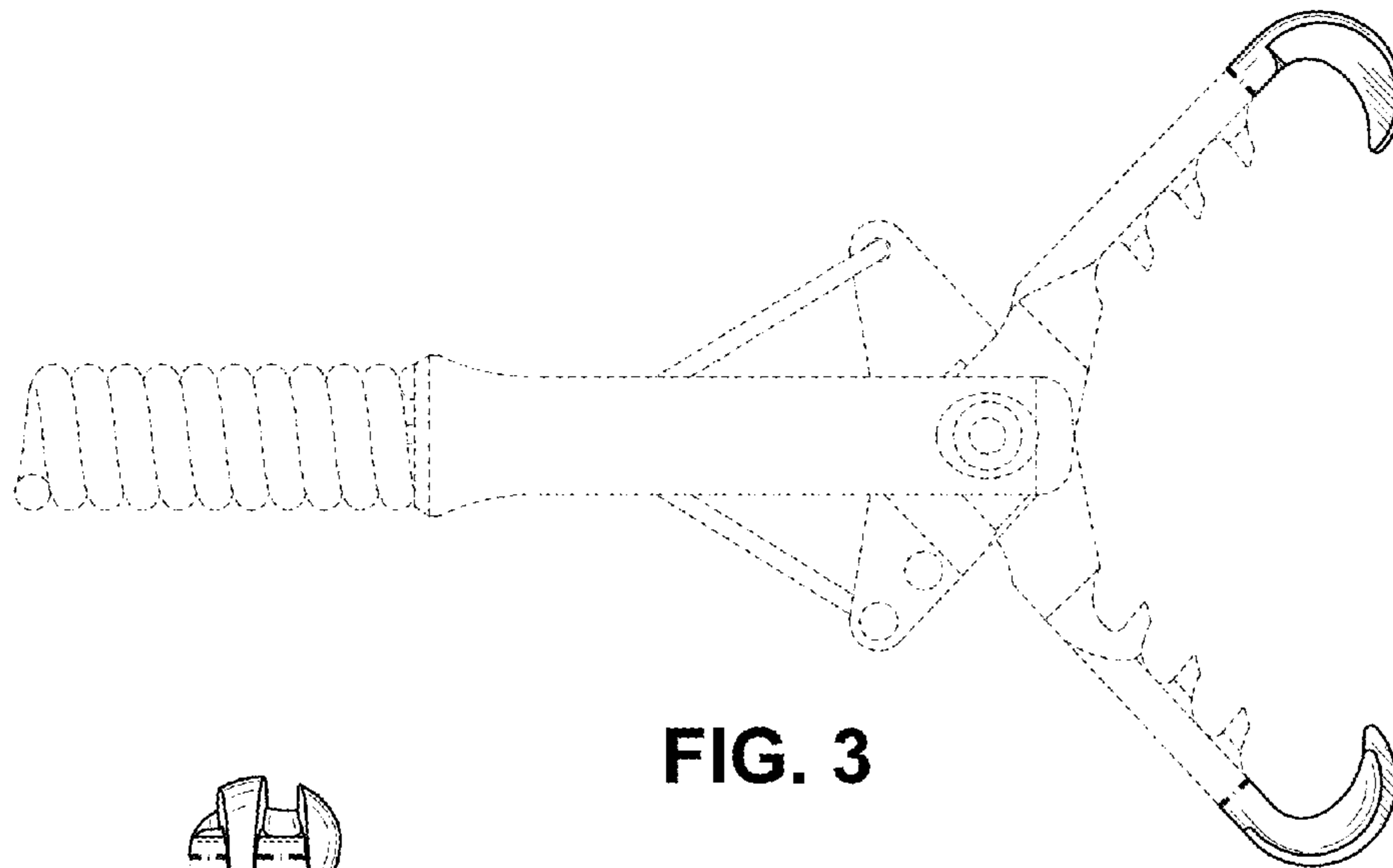


FIG. 3

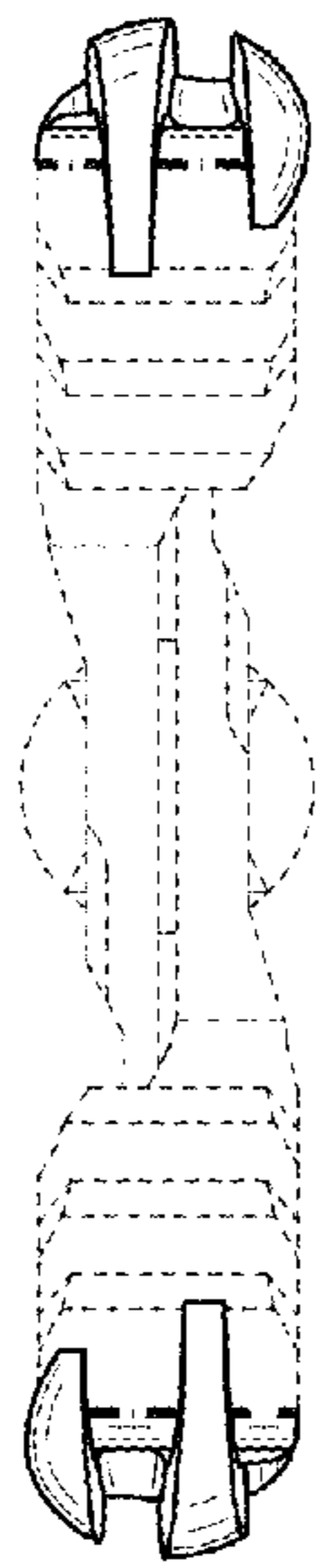


FIG. 4

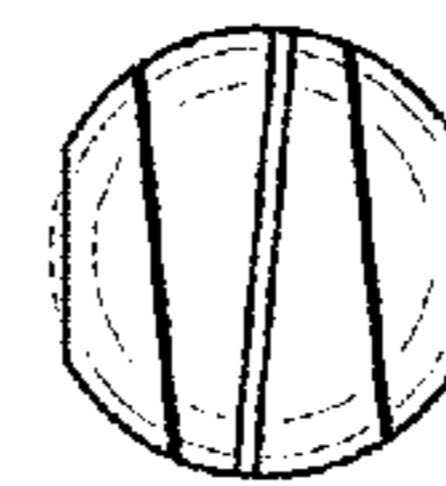


FIG. 5

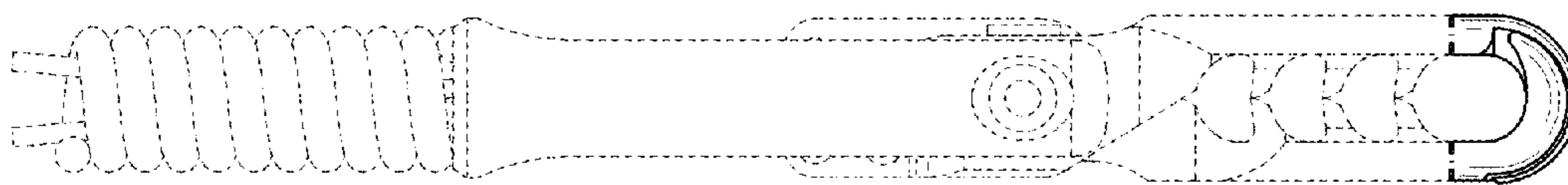


FIG. 6

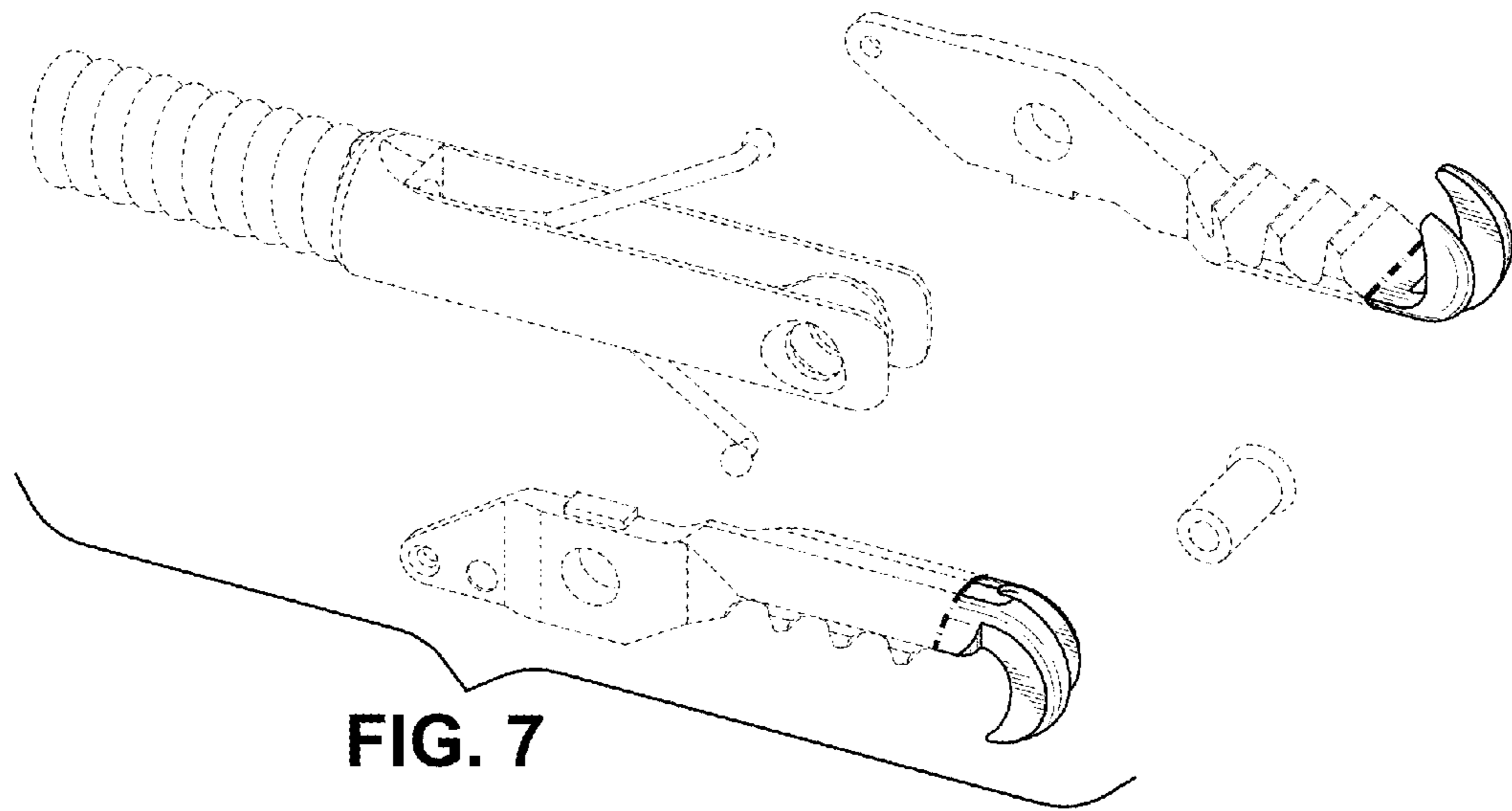


FIG. 7

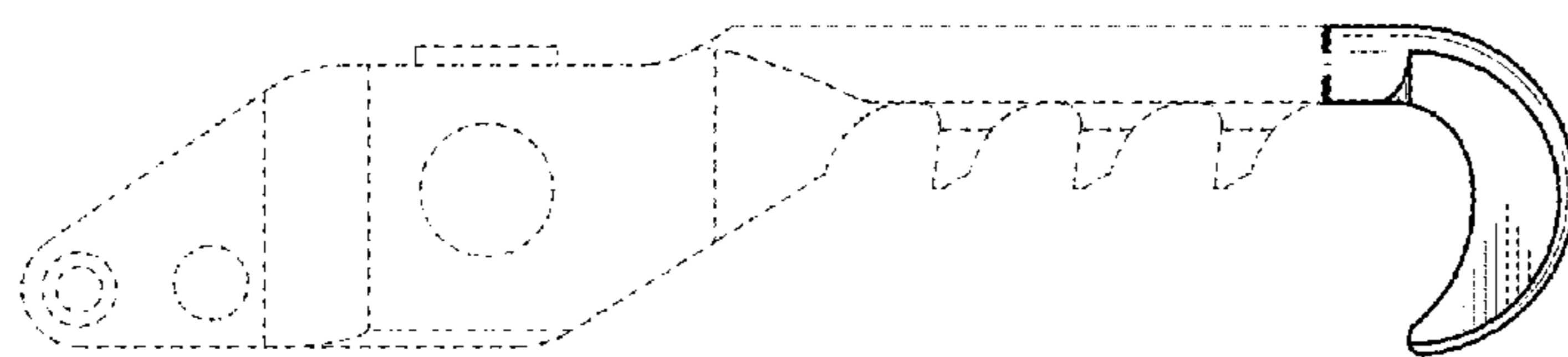


FIG. 8

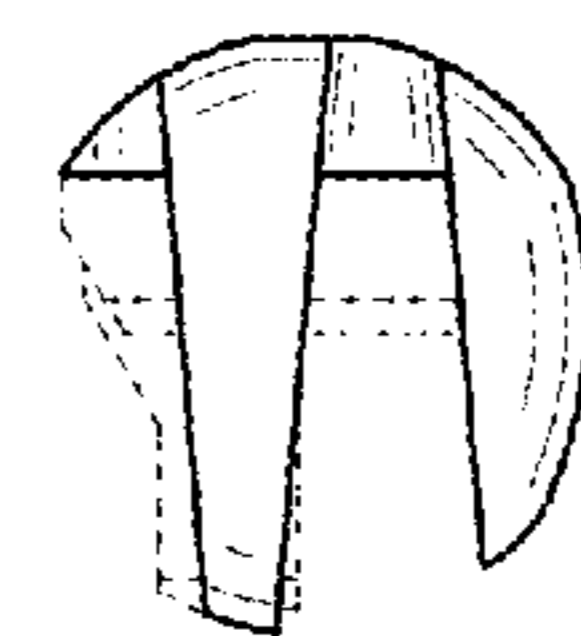


FIG. 9

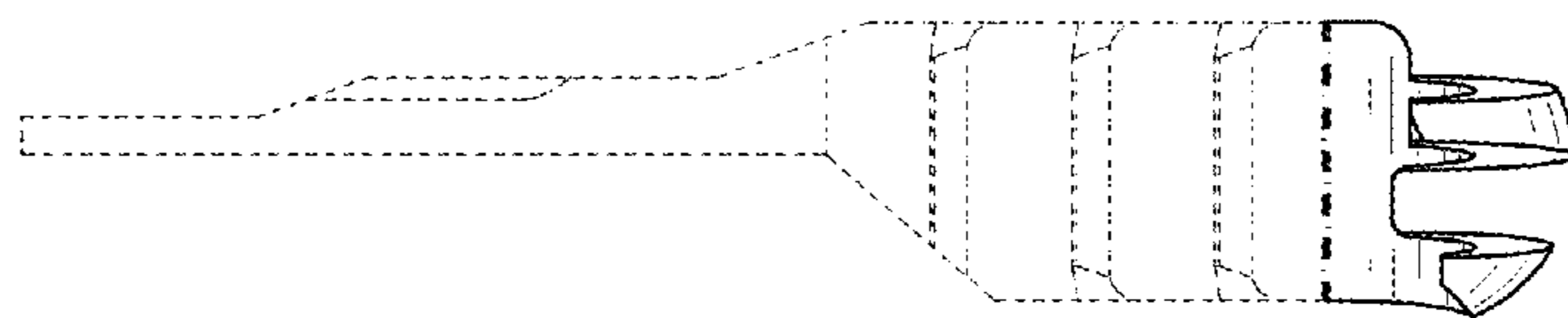
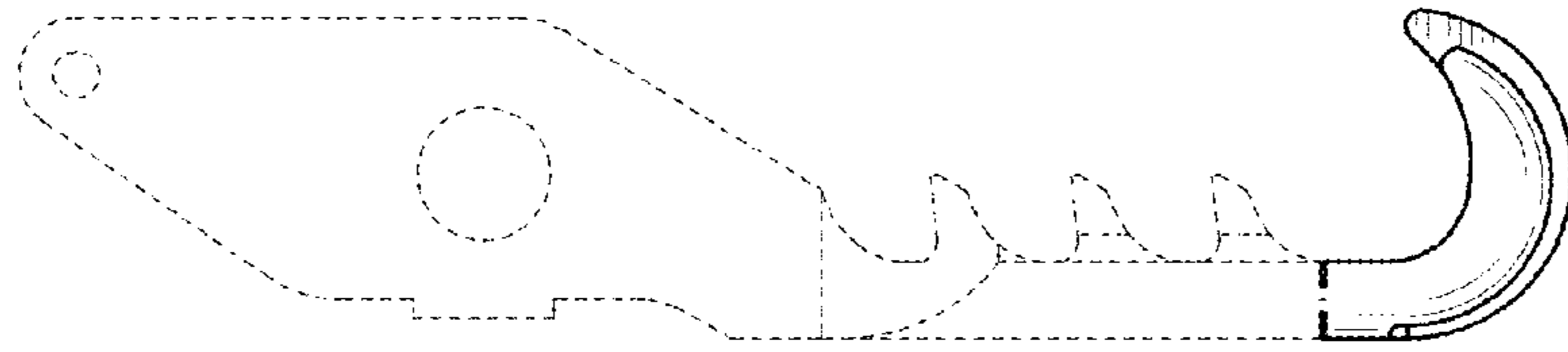
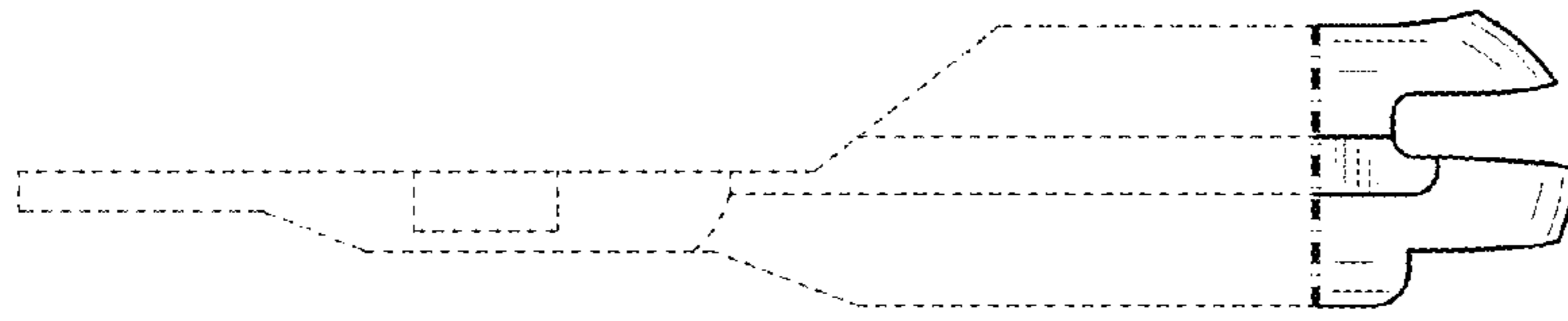


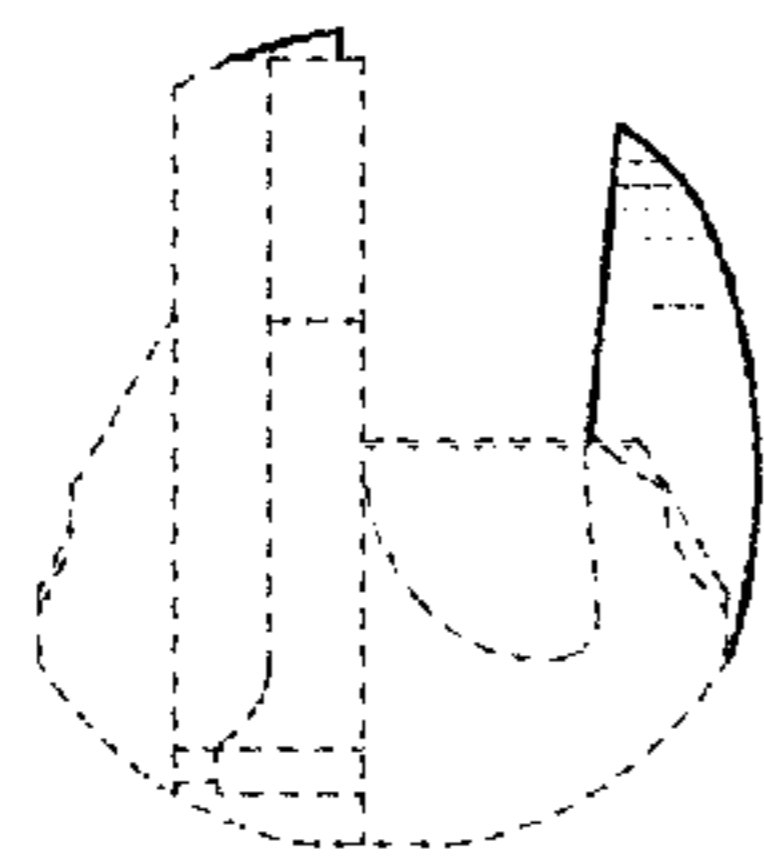
FIG. 10



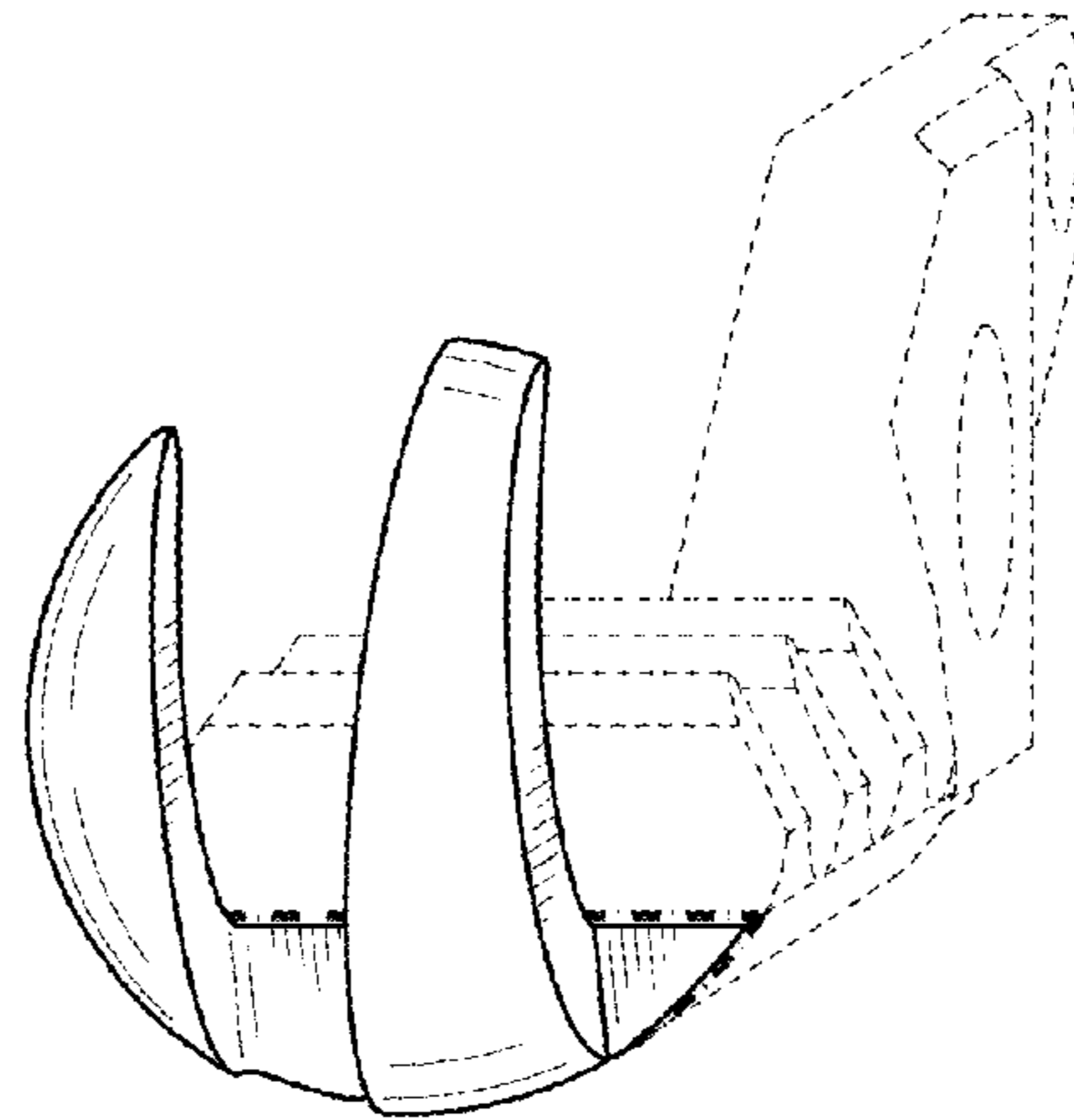
**FIG. 11**



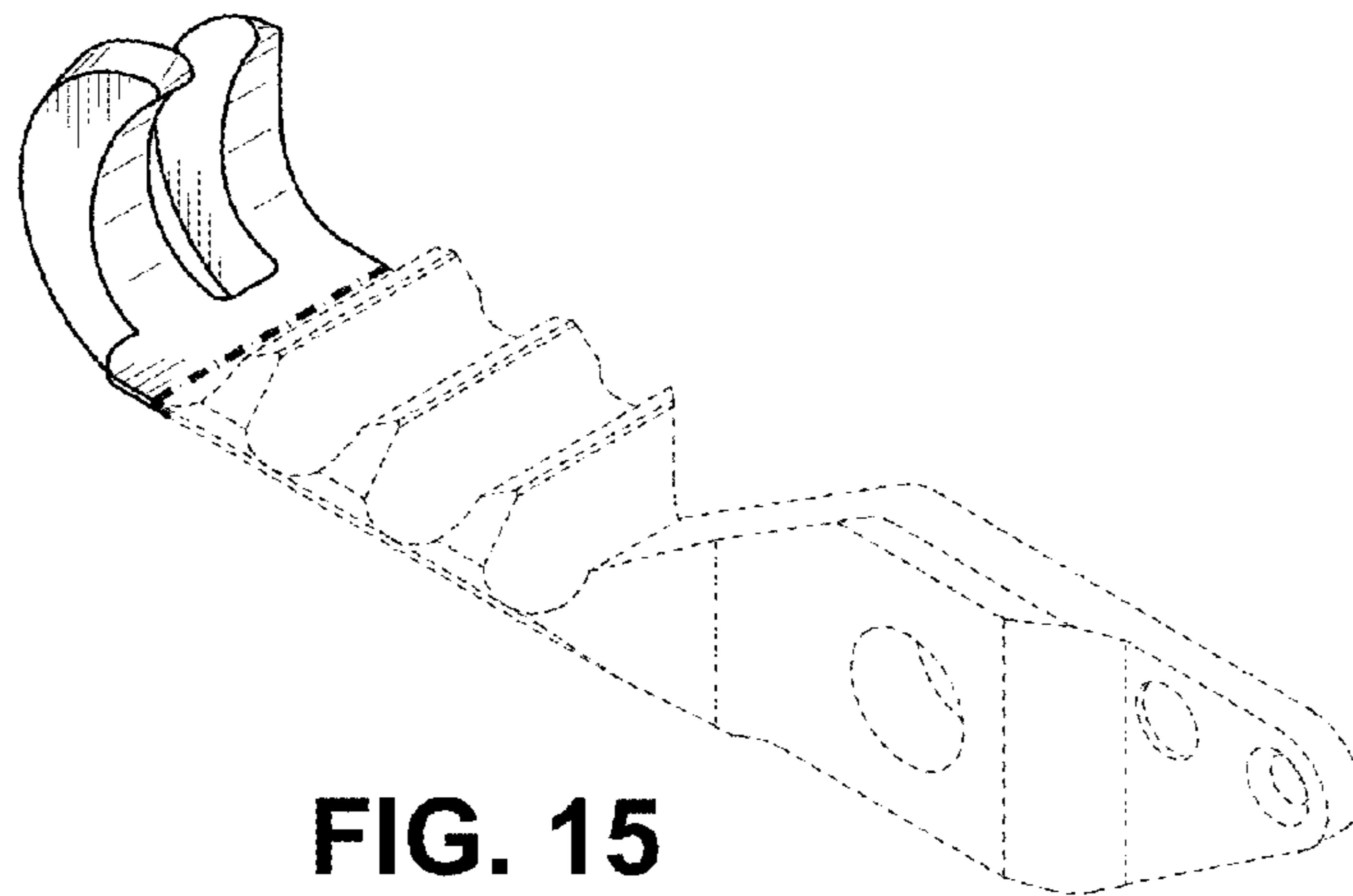
**FIG. 12**



**FIG. 13**



**FIG. 14**



**FIG. 15**

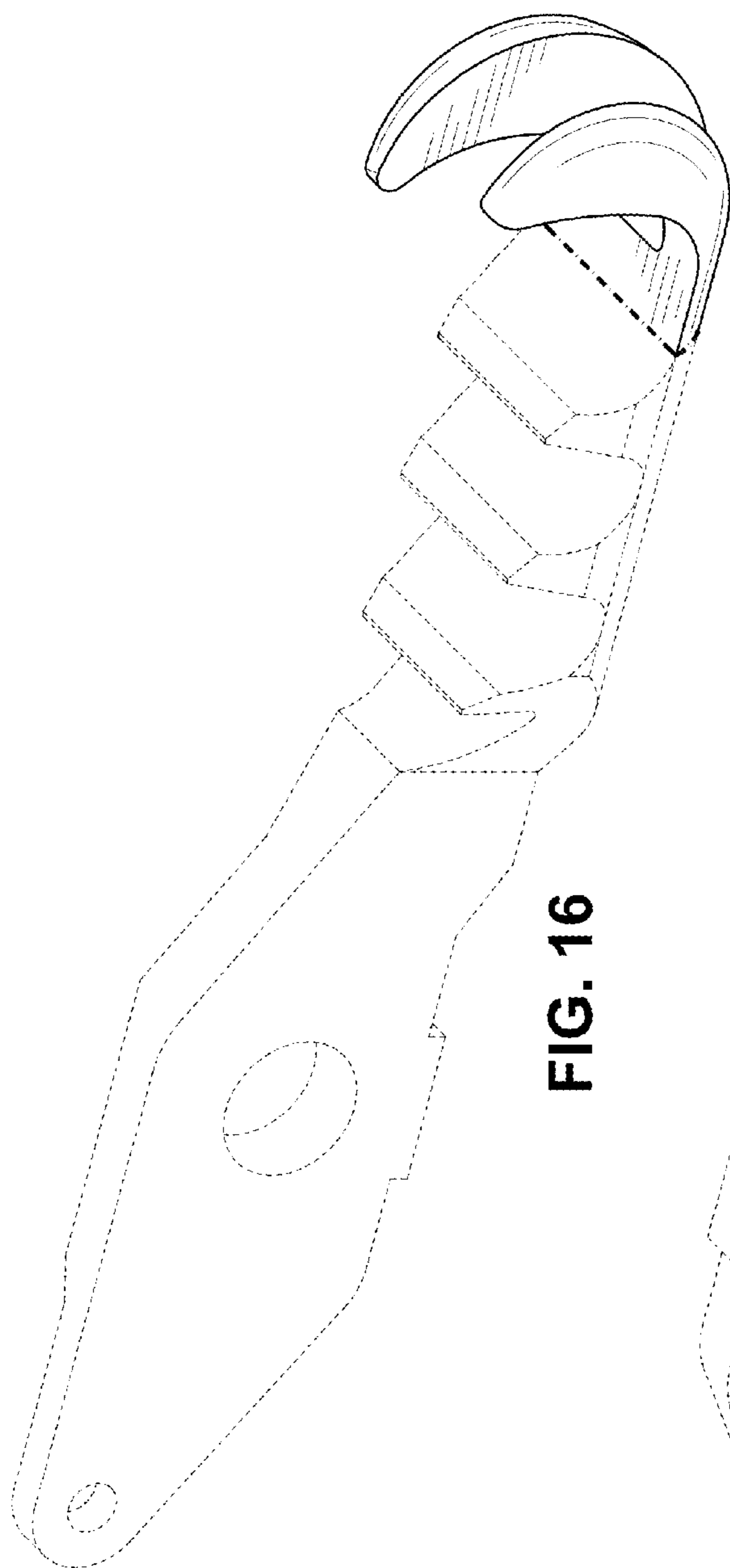


FIG. 16

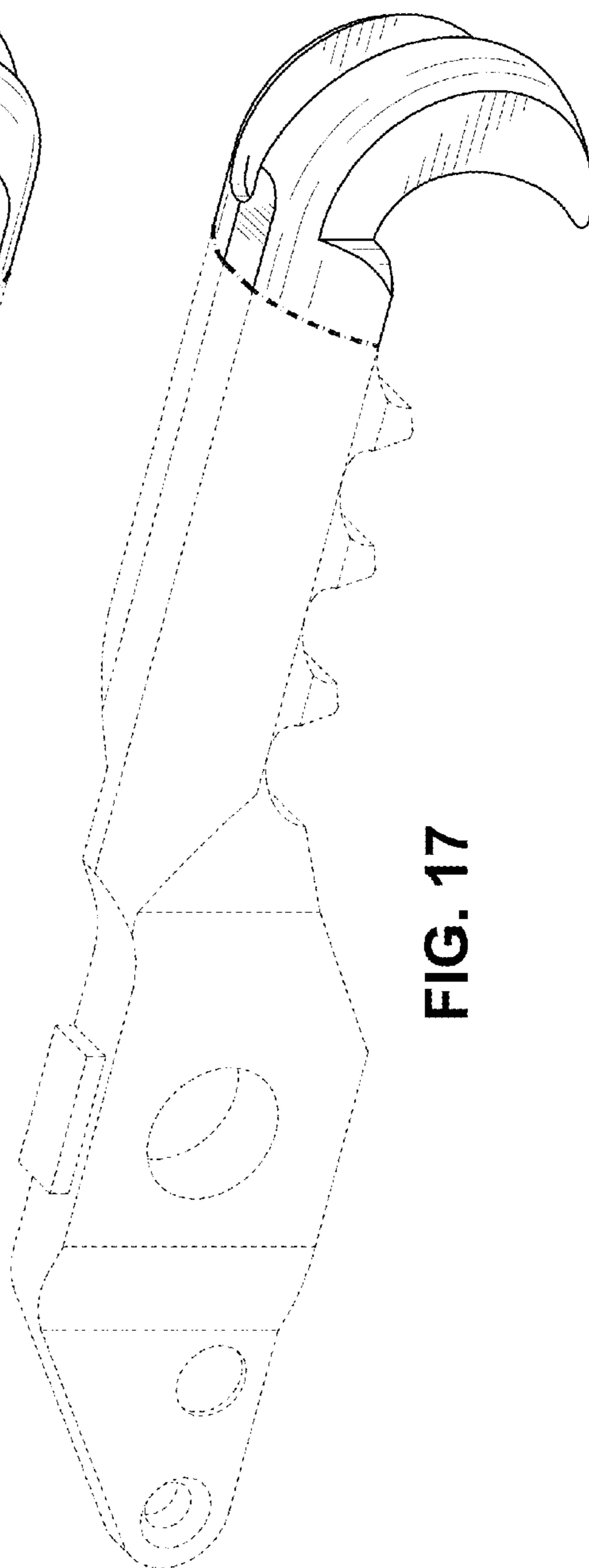
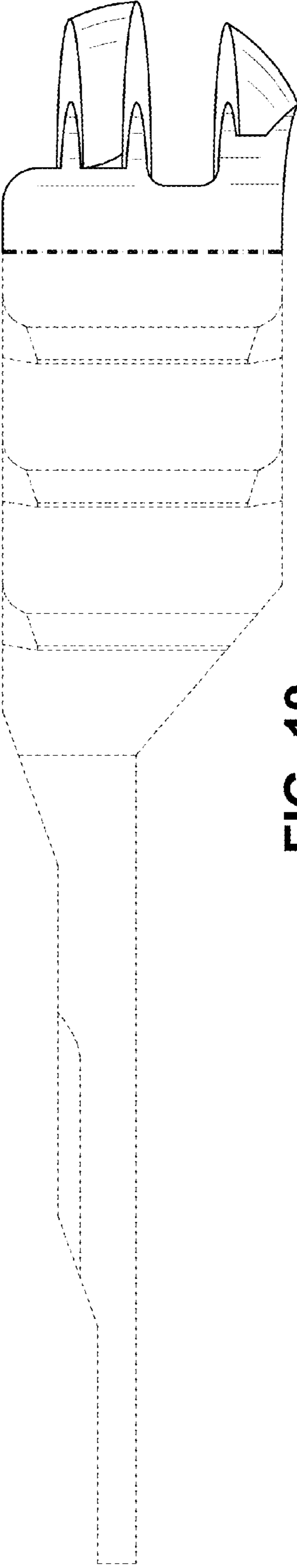
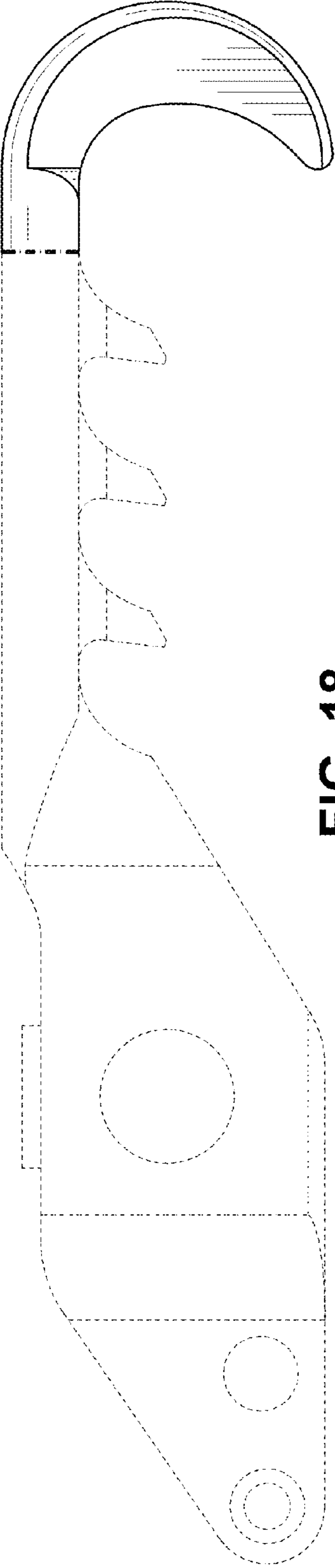


FIG. 17



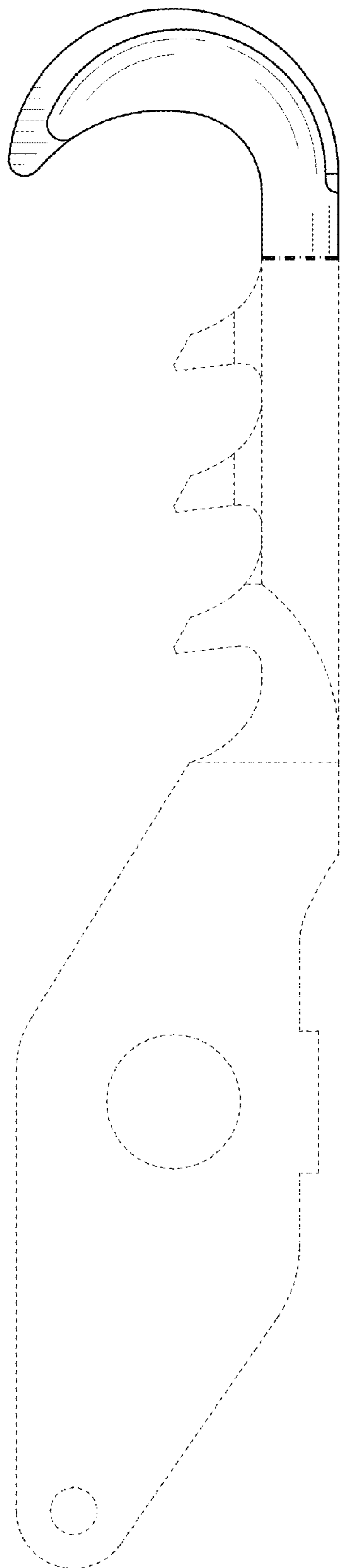


FIG. 20

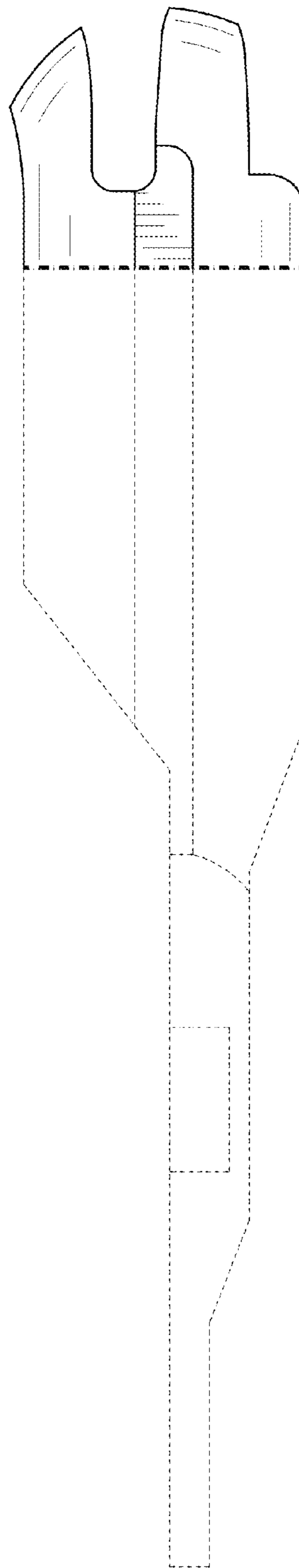


FIG. 21