



US00D725262S

(12) **United States Design Patent**  
**Chowdhury**

(10) **Patent No.:** **US D725,262 S**  
(45) **Date of Patent:** **\*\* Mar. 24, 2015**

(54) **MICRONEEDLE APPLICATOR**  
(71) Applicant: **NDM Technologies Limited,**  
Loughborough (GB)  
(72) Inventor: **Dewan Fazlul Hoque Chowdhury,**  
Loughborough (GB)  
(73) Assignee: **NDM Technologies Limited,**  
Loughborough, Leicestershire (GB)

D582,048 S 12/2008 Chiu  
7,530,978 B2 \* 5/2009 Okawa ..... 606/9  
D608,897 S \* 1/2010 Cole ..... D24/200  
D610,694 S \* 2/2010 Baldacchini ..... D24/209  
D620,597 S 7/2010 Cole et al.  
D621,950 S 8/2010 Seki et al.  
D629,902 S \* 12/2010 Palmer et al. .... D24/146  
D636,088 S \* 4/2011 Loew et al. .... D24/200  
D636,089 S \* 4/2011 Yoo ..... D24/200  
D649,646 S 11/2011 Yoo  
D670,179 S 11/2012 Yarden et al.

(Continued)

(\*\*) Term: **14 Years**

**OTHER PUBLICATIONS**

(21) Appl. No.: **29/455,099**

Dewan Fazlul Hoque Chowdhury, OHIM Registered Community Design No. 001789942-0001 (3 pages).

(22) Filed: **May 16, 2013**

(Continued)

(30) **Foreign Application Priority Data**

Nov. 16, 2012 (EM) ..... 002137356-0001

(51) **LOC (10) Cl.** ..... **24-02**

(52) **U.S. Cl.**  
USPC ..... **D24/130**

(58) **Field of Classification Search**  
USPC ..... D24/112-114, 133, 186, 104, 130, 127,  
D24/209, 146, 200, 188; 604/20, 22, 264,  
604/272, 115, 232, 187, 158, 164.08, 192,  
604/263, 163, 181, 184, 198, 227, 506;  
607/88-90, 94; D28/58  
See application file for complete search history.

*Primary Examiner* — David Muller

(74) *Attorney, Agent, or Firm* — McCracken & Gillen LLC

(57) **CLAIM**

The ornamental design for a microneedle applicator, as shown and described herein.

**DESCRIPTION**

FIG. 1 is an isometric view of a top, front, and left side of an ornamental design for a microneedle applicator;  
FIG. 2 is a front elevational view of the microneedle applicator of FIG. 1;  
FIG. 3 is a left side elevational view of the microneedle applicator of FIG. 1, the right side elevational view of such microneedle applicator being identical thereto;  
FIG. 4 is a top plan view of the microneedle applicator of FIG. 1; and,  
FIG. 5 is a bottom plan view of the microneedle applicator of FIG. 1.

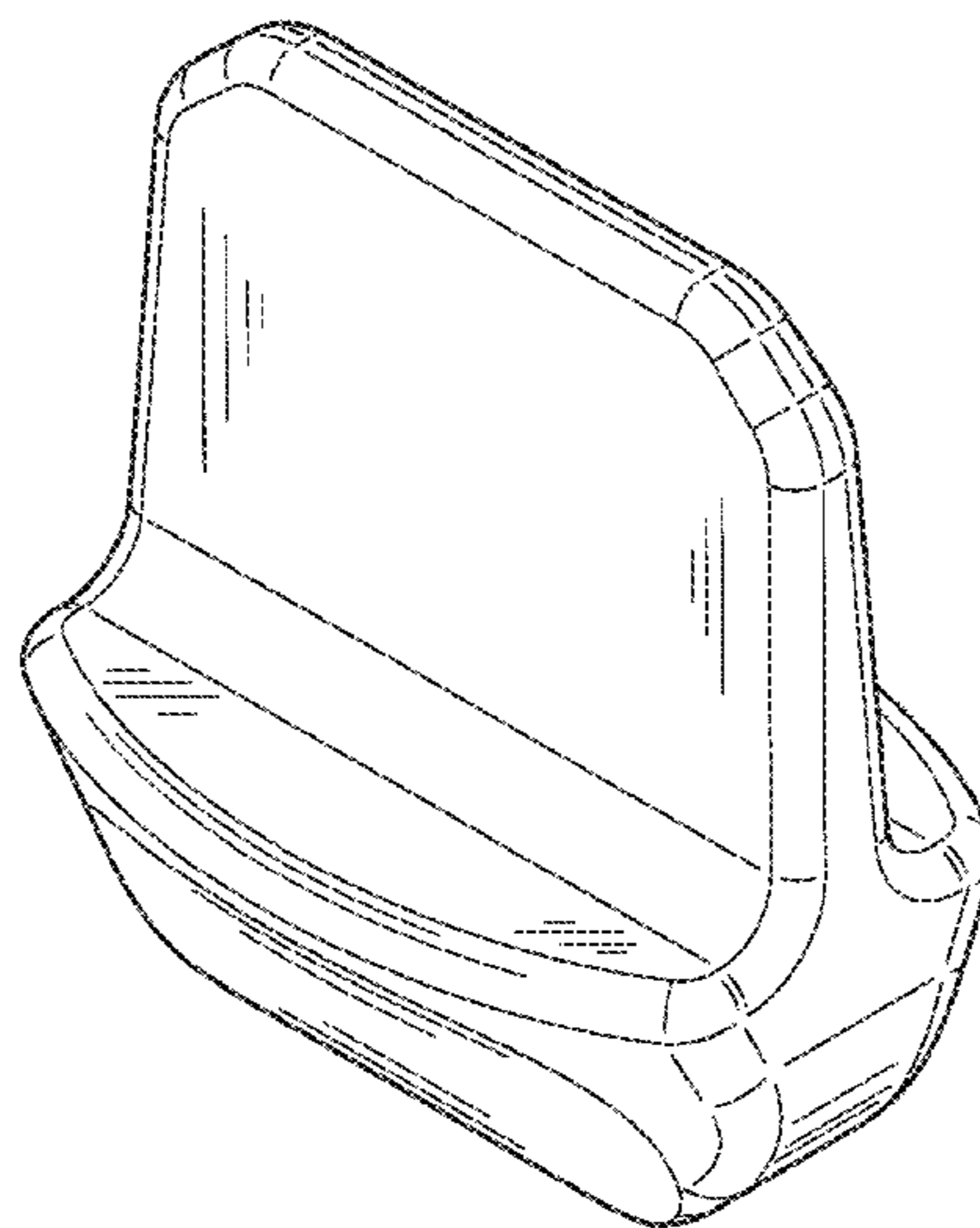
The broken line showing of parts of the drawings is included for the purpose of illustrating use and environment and forms no part of the claimed design.

**1 Claim, 5 Drawing Sheets**

(56) **References Cited**

**U.S. PATENT DOCUMENTS**

D208,079 S 7/1967 Panicci  
D365,880 S 1/1996 Tiefenthal et al.  
D490,528 S \* 5/2004 Cook et al. .... D24/200  
D518,576 S \* 4/2006 Sevier et al. .... D24/214  
7,131,960 B2 11/2006 Trautman et al.  
D542,408 S 5/2007 Oldenburg et al.  
D550,842 S 9/2007 Koch et al.  
D569,987 S 5/2008 Oberreiter et al.  
D576,285 S \* 9/2008 Kennedy ..... D24/209



(56)

**References Cited**

U.S. PATENT DOCUMENTS

D672,507 S 12/2012 Szymanski  
D688,802 S 8/2013 Boege et al.  
D702,835 S \* 4/2014 Vinchon ..... D24/130  
D705,484 S \* 5/2014 Bourgeois ..... D24/133  
8,721,697 B2 \* 5/2014 Hottinger et al. .... 607/90  
8,728,136 B2 \* 5/2014 Feldman ..... 607/92  
2007/0060837 A1 3/2007 Cho et al.  
2008/0161735 A1 7/2008 Lee et al.  
2008/0172112 A1 7/2008 Gourgouliatos et al.  
2008/0172113 A1 7/2008 Gourgouliatos et al.  
2008/0172115 A1 7/2008 Gourgouliatos et al.  
2010/0292723 A1 11/2010 Lee  
2011/0066131 A1 3/2011 Cabiri  
2011/0098641 A1 4/2011 Haider et al.

OTHER PUBLICATIONS

Dewan Fazlul Hoque Chowdhury, OHIM Registered Community Design No. 001789942-0002 (3 pages).

Dewan Fazlul Hoque Chowdhury, OHIM Registered Community Design No. 001789942-0003 (3 pages).

Dewan Fazlul Hoque Chowdhury, U.S. Appl. No. 29/408,033, filed Dec. 6, 2011 (7 pages).

USPTO Office Action dated Dec. 18, 2013, for U.S. Appl. No. 29/408,033, Applicant, Dewan Fazlul Hoque Chowdhury (19 pages).

Lipstick & Candy Cigarettes, SkinMedix.com Derma Roller Micro Needle review, <http://lipstickcandy.blogspot.com/2011/03/skinmedixcom-derma-roller-micro-needle.html>, Mar. 16, 2011 (1 page).

ebay, Derma Micro Needle Stamp, [http://www.ebay.com/itmlDerma-Micro-Needle-Stamp-Acne-Pits-Wrinkles-2mm-a-/120670698639?pt=US\\_Skin\\_Care&hash=item\\_1c1888bc8f#ht\\_2706wt\\_974](http://www.ebay.com/itmlDerma-Micro-Needle-Stamp-Acne-Pits-Wrinkles-2mm-a-/120670698639?pt=US_Skin_Care&hash=item_1c1888bc8f#ht_2706wt_974), Jan. 29, 2011 (4 pages).

White Lotus, Dermastamp, <http://www.whitelotusantiaging.co.uk/blog/2011/06/09/dermastamp/>, Jun. 9, 2011 (2 pages).

\* cited by examiner

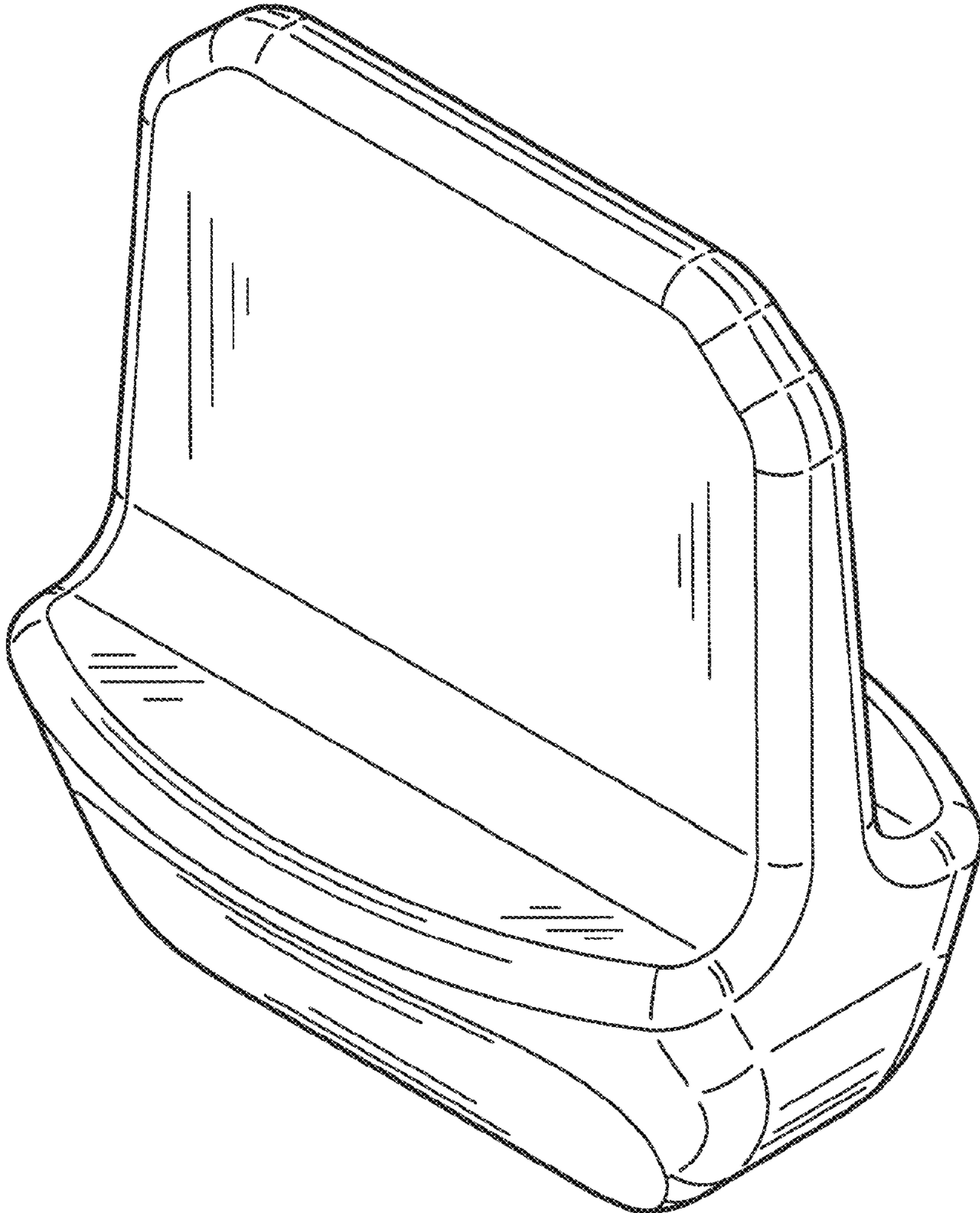


FIG.1

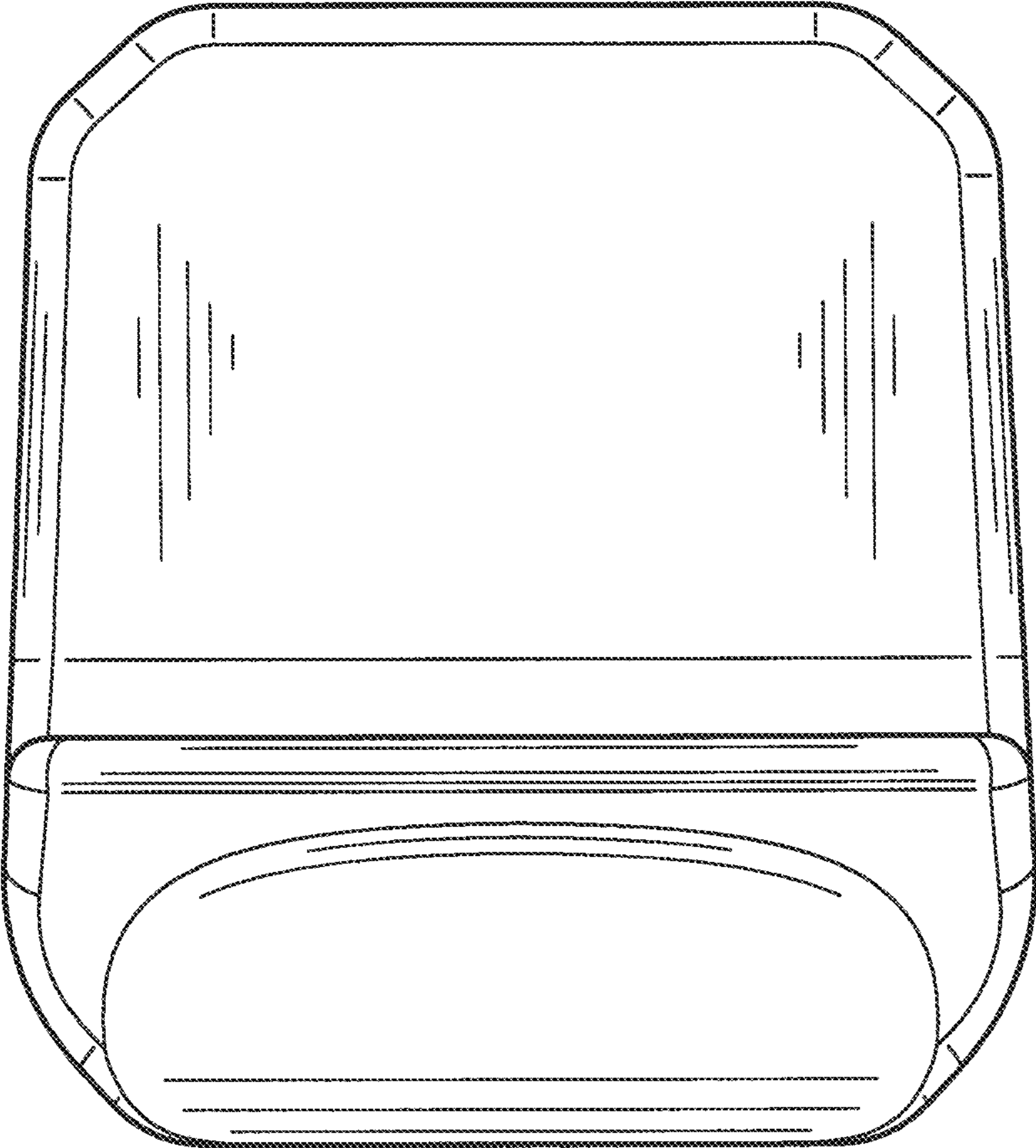


FIG. 2



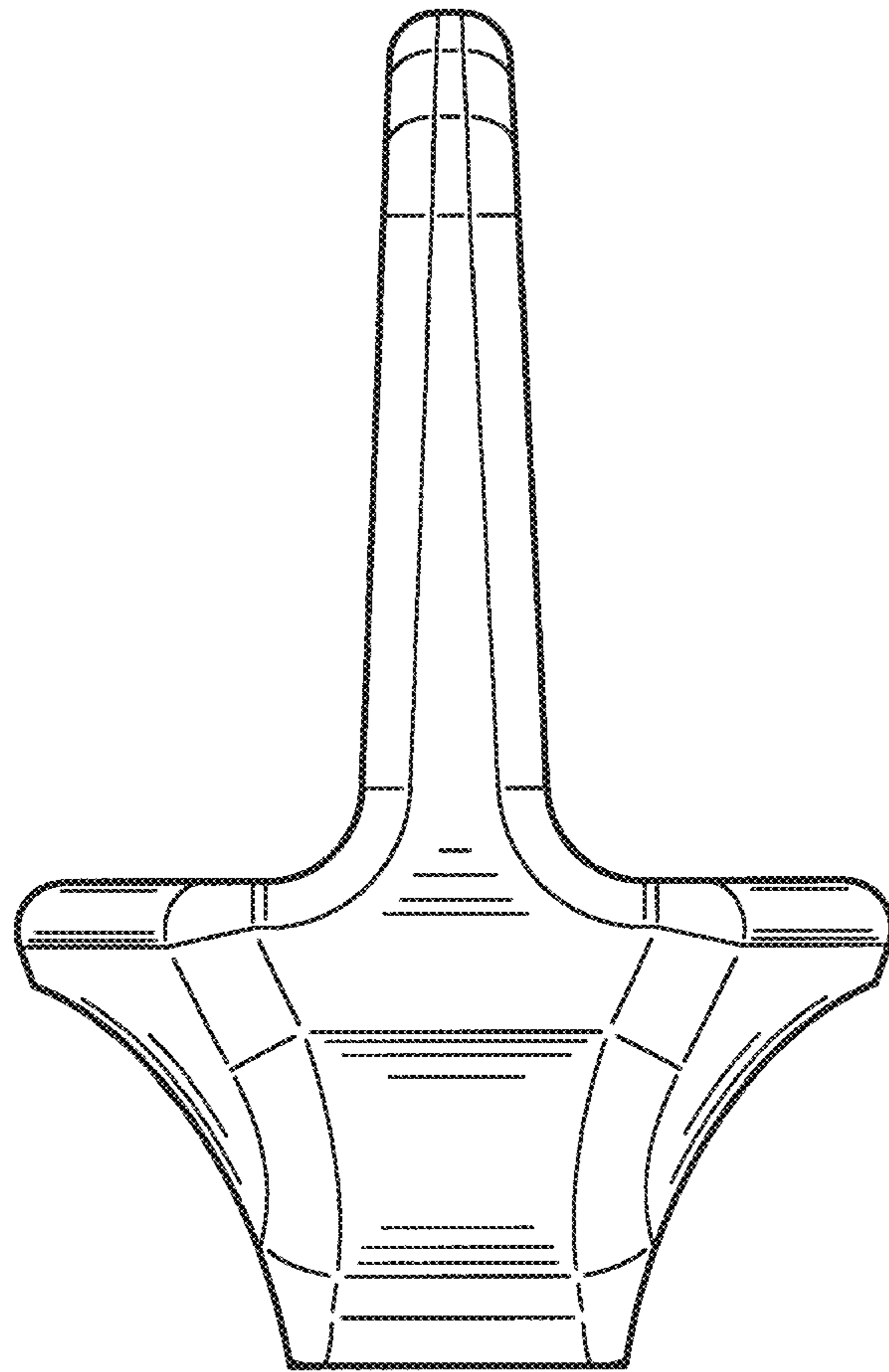


FIG. 3

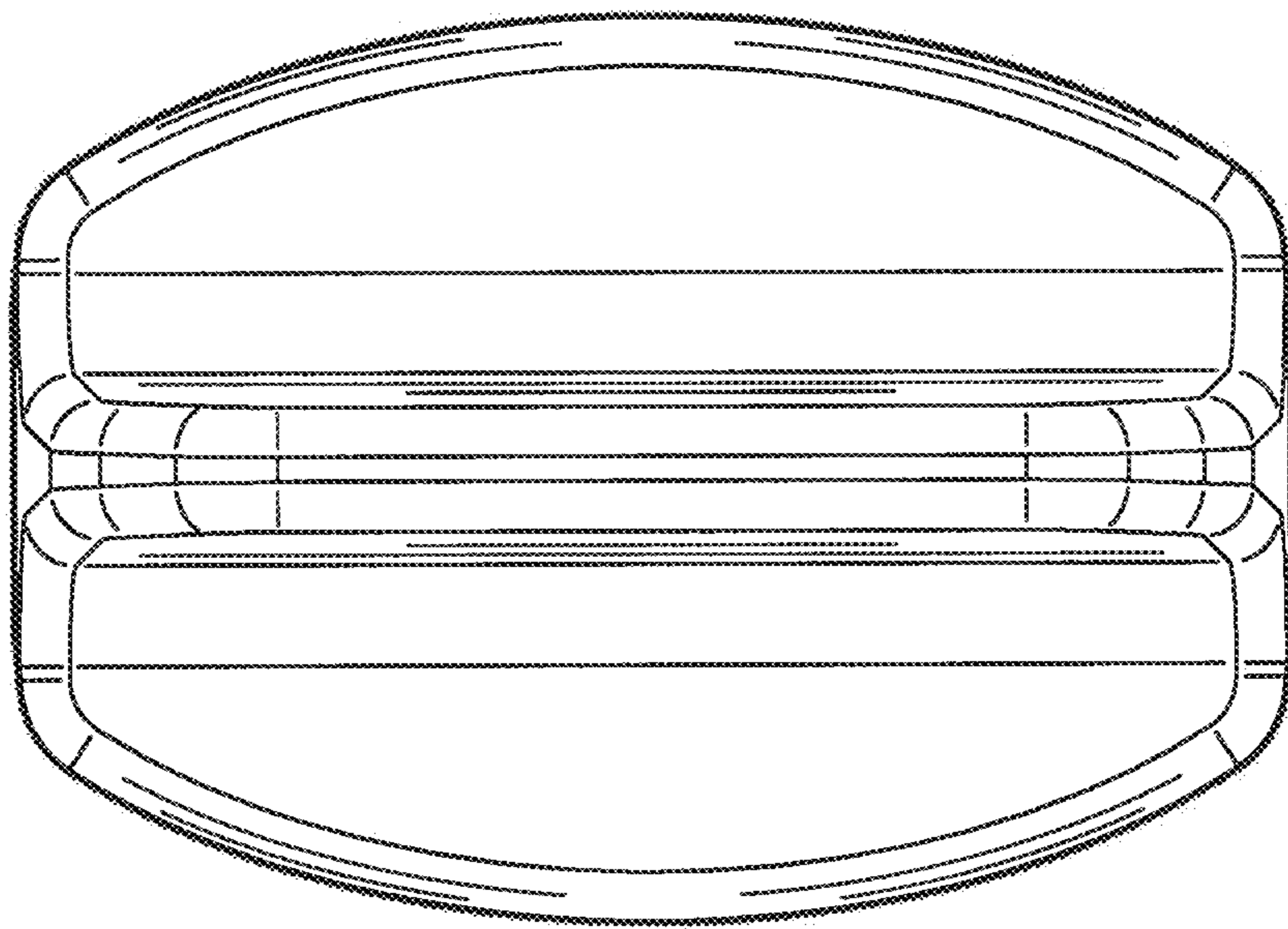


FIG. 4

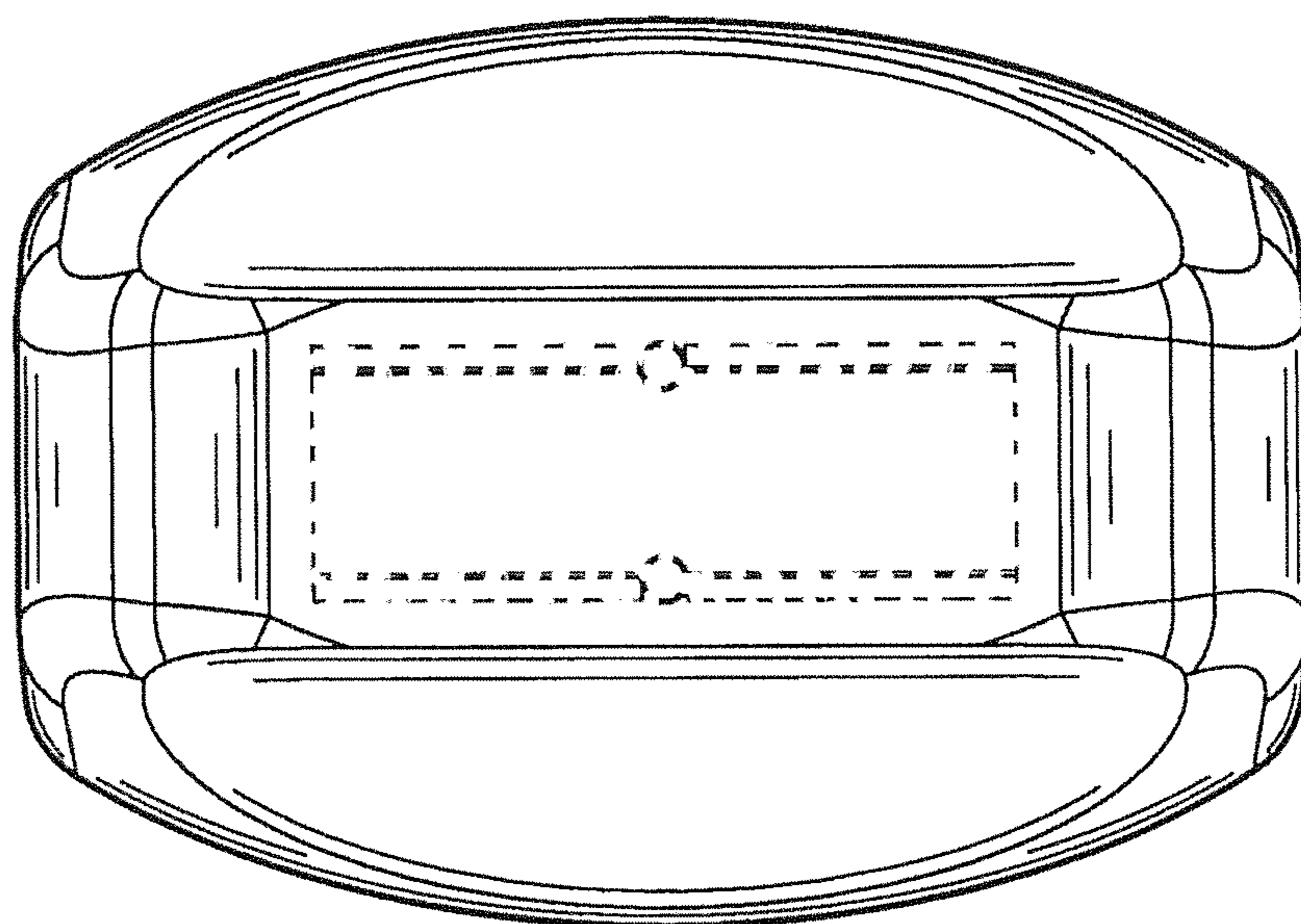


FIG. 5