



US00D725258S

(12) **United States Design Patent**
Harris

(10) **Patent No.:** **US D725,258 S**
(45) **Date of Patent:** **** Mar. 24, 2015**

(54) **WOODBURNING FIREPLACE GRATE**

(71) Applicant: **Willard P. Harris**, Santa Ana, CA (US)

(72) Inventor: **Willard P. Harris**, Santa Ana, CA (US)

(**) Term: **14 Years**

(21) Appl. No.: **29/472,502**

(22) Filed: **Nov. 13, 2013**

(51) **LOC (10) Cl.** **23-03**

(52) **U.S. Cl.**
USPC **D23/398**

(58) **Field of Classification Search**
CPC F24B 1/193; F24B 1/1886; E03F 5/06;
A47J 37/067; A47J 37/0694; A47J 33/00
USPC D23/397-403, 386; 126/152 R,
126/540-543; D25/152, 153, 156; 210/163;
404/2, 4; 4/507

See application file for complete search history.

(56) **References Cited**

U.S. PATENT DOCUMENTS

4,046,320	A *	9/1977	Johnson et al.	237/8 C
D249,358	S *	9/1978	Mellow, Jr.	D23/399
D252,316	S *	7/1979	Cagle	D23/399
4,161,168	A *	7/1979	Cagle	126/524
D304,074	S *	10/1989	Moroney	D23/398
D345,416	S *	3/1994	Steele et al.	D23/398

5,513,625	A *	5/1996	Landman	126/152 R
5,562,023	A *	10/1996	Harrison	99/426
5,722,389	A *	3/1998	Cranberg	126/540
D438,949	S *	3/2001	Nathan	D23/398
D489,444	S *	5/2004	Chandaria	D23/398
7,886,736	B2 *	2/2011	Eiklor	126/512
8,776,774	B2 *	7/2014	Hsu	126/25 AA

* cited by examiner

Primary Examiner — David Muller

(74) *Attorney, Agent, or Firm* — Eric Hanscom; Todd J. Langford

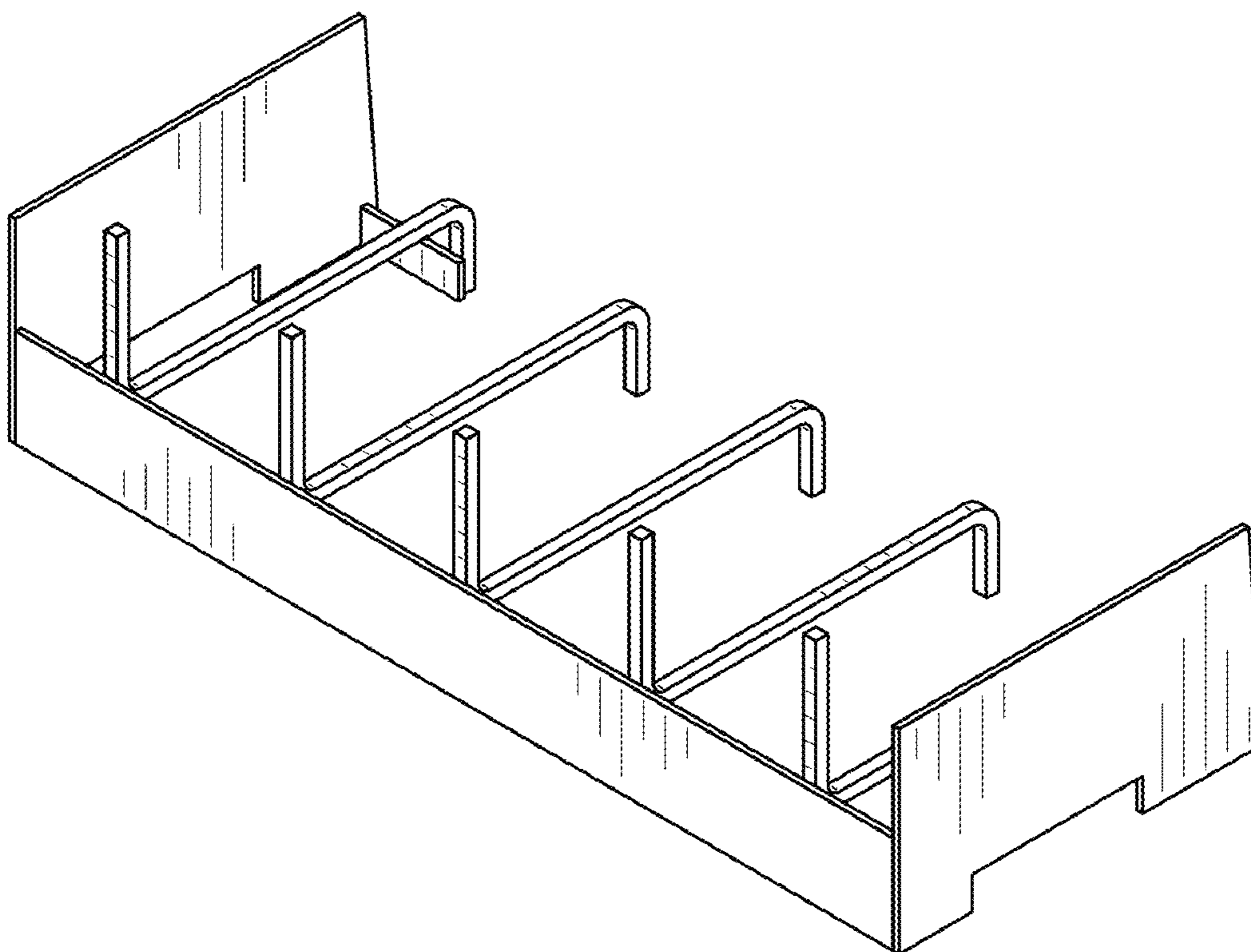
(57) **CLAIM**

The ornamental design for a woodburning fireplace grate, as shown and described.

DESCRIPTION

FIG. 1 is a perspective view of a woodburning fireplace grate showing my new design;
FIG. 2 is a front view thereof;
FIG. 3 is a back view thereof;
FIG. 4 is a left-side view thereof;
FIG. 5 is a right-side view thereof;
FIG. 6 is a top view thereof; and,
FIG. 7 is a bottom view thereof.

1 Claim, 4 Drawing Sheets



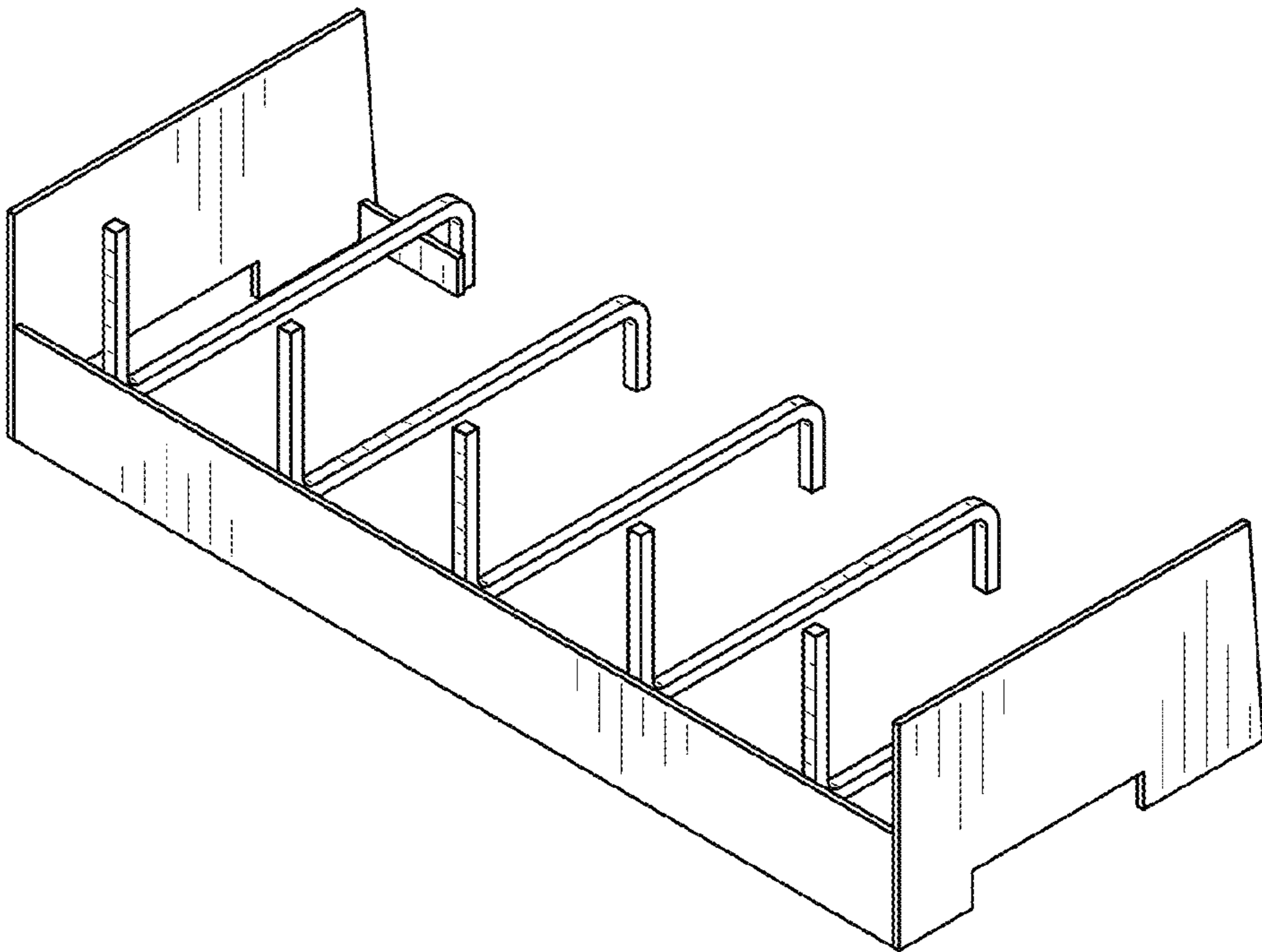


FIG. 1

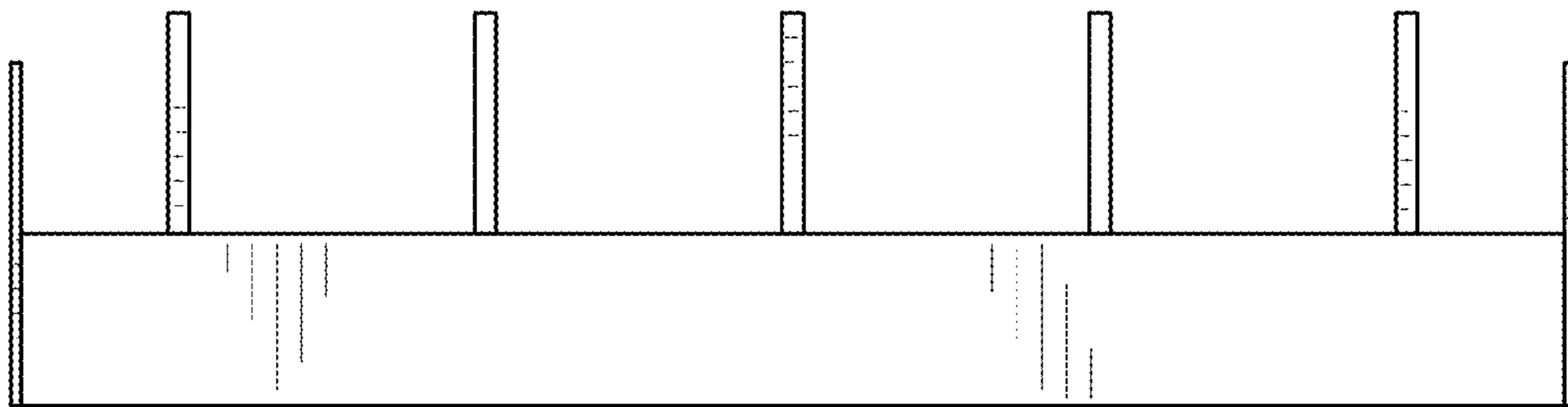


FIG. 2

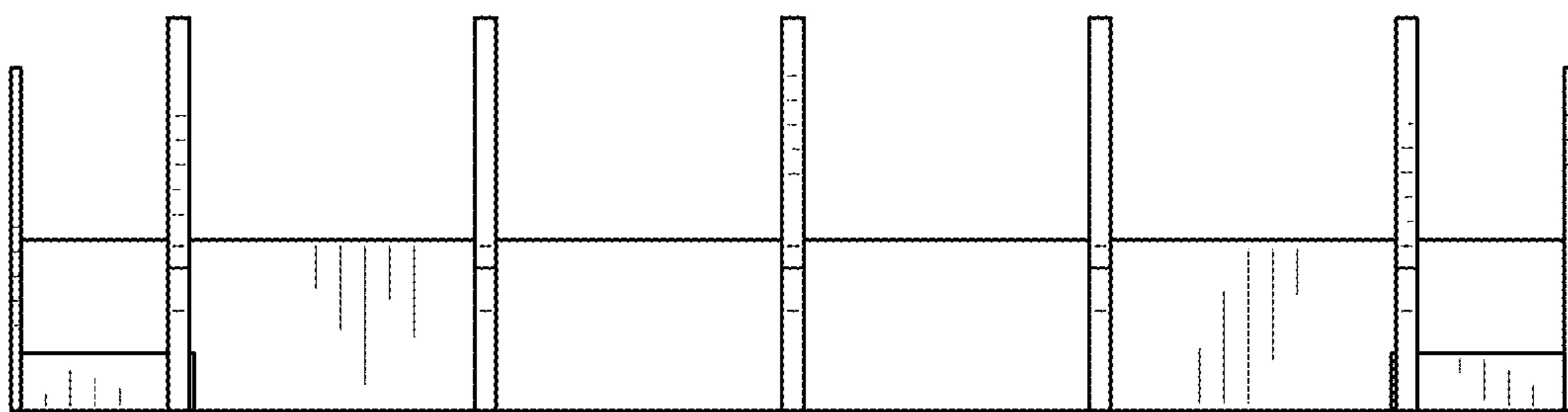


FIG. 3

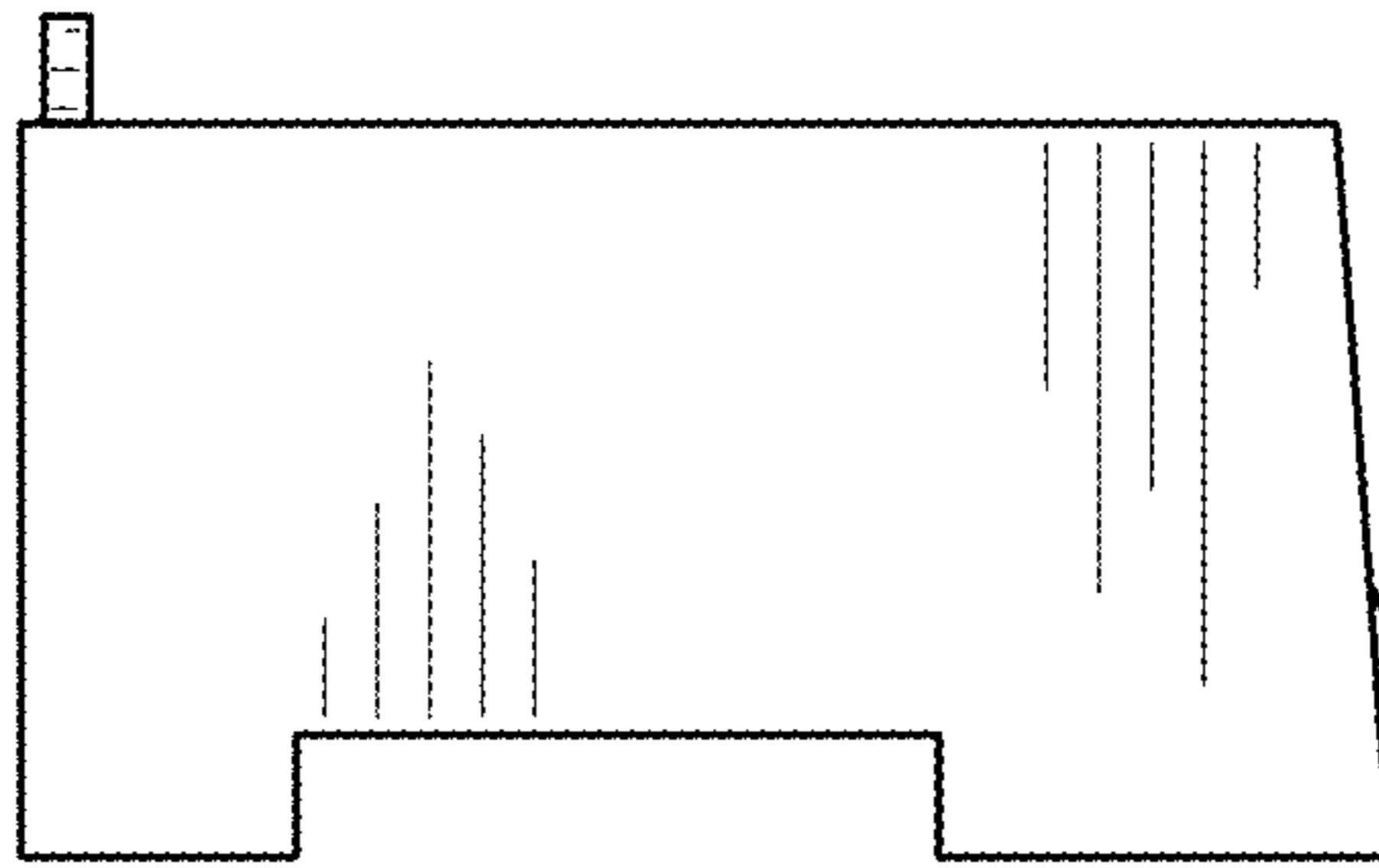


FIG. 4

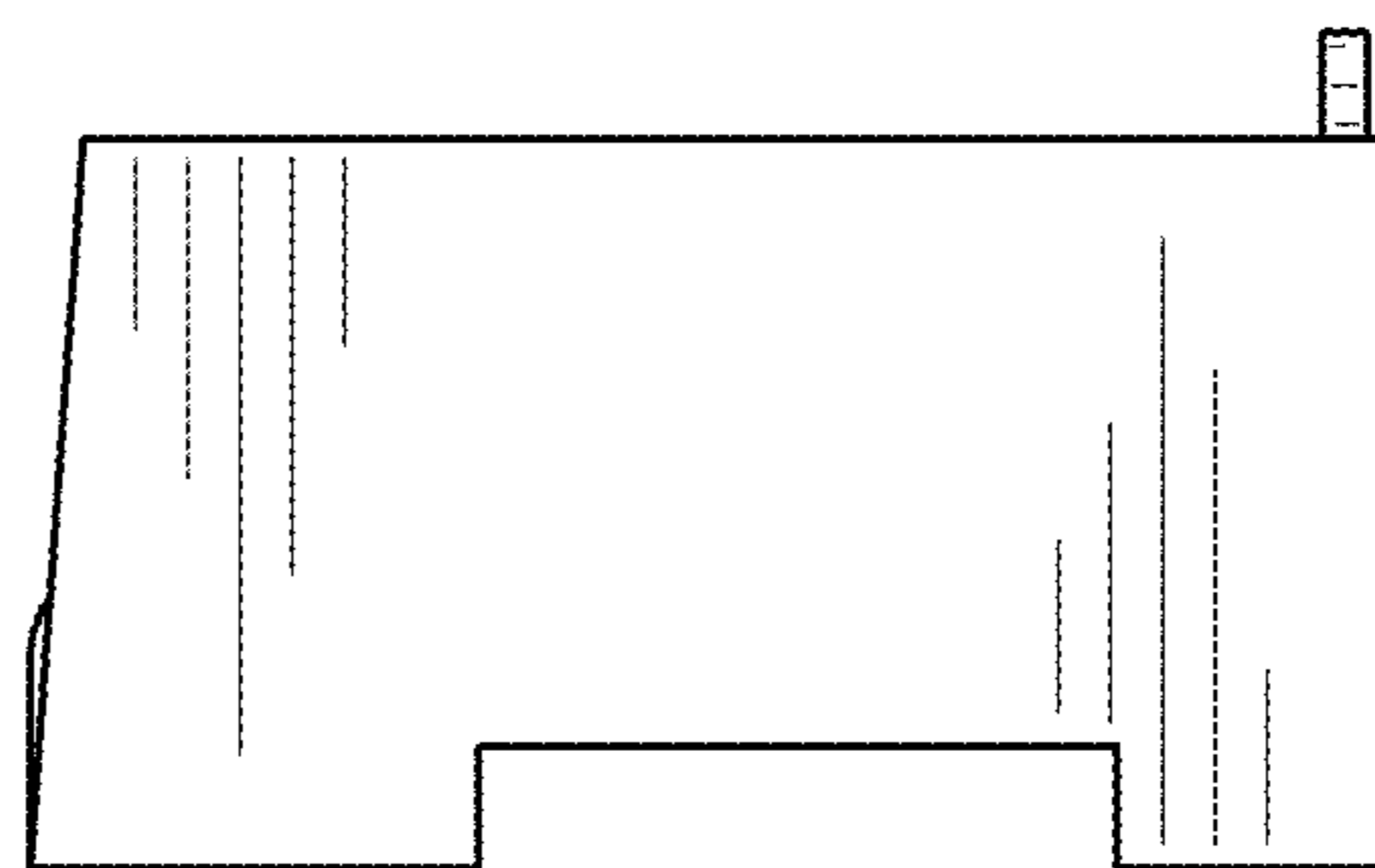


FIG. 5

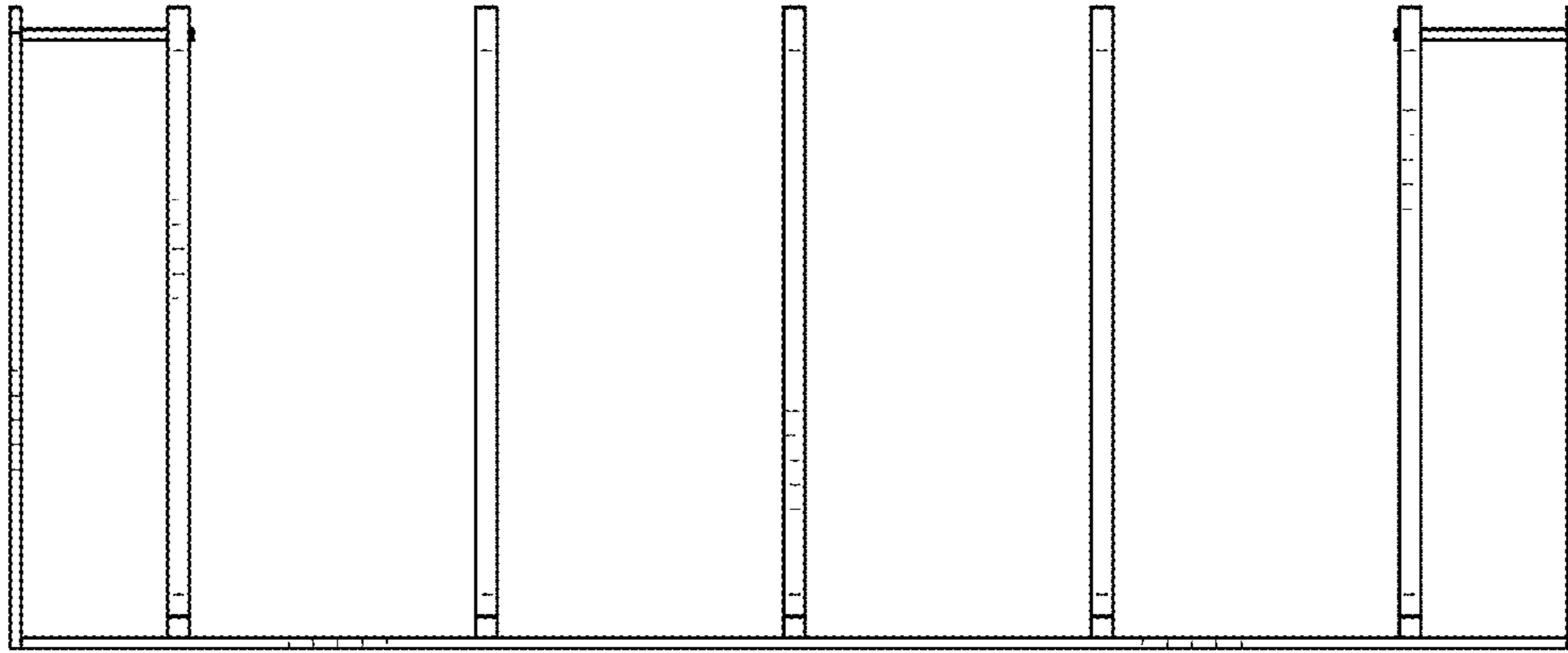


FIG. 6

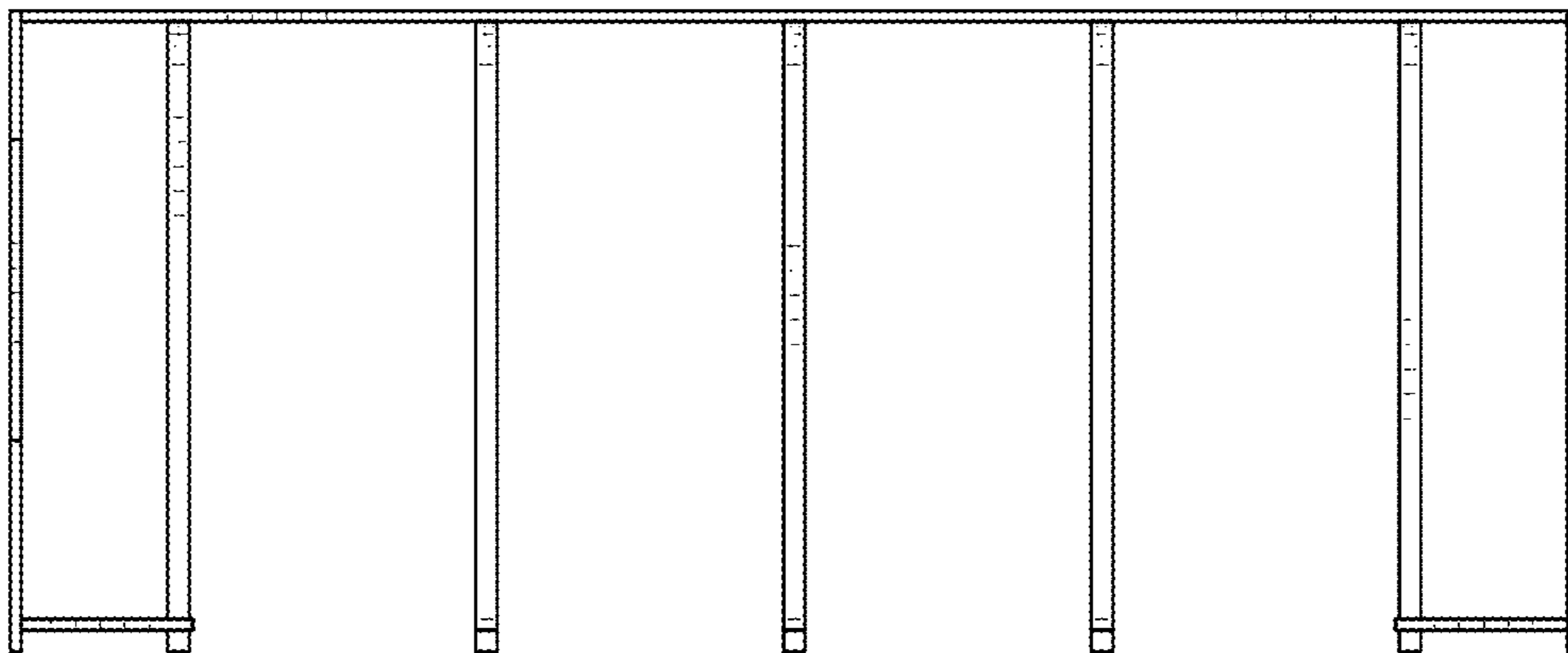


FIG. 7