



US00D725255S

(12) **United States Design Patent**
Chan

(10) **Patent No.:** **US D725,255 S**
(45) **Date of Patent:** **** Mar. 24, 2015**

- (54) **ELECTRONIC INCENSE**
- (71) Applicant: **Sithon Chan**, Stockton, CA (US)
- (72) Inventor: **Sithon Chan**, Stockton, CA (US)
- (**) Term: **14 Years**
- (21) Appl. No.: **29/502,336**
- (22) Filed: **Sep. 15, 2014**
- (51) **LOC (10) Cl.** **28-99**
- (52) **U.S. Cl.**
USPC **D23/366**
- (58) **Field of Classification Search**
USPC D23/355-369; D28/5, 6; 261/DIG. 17,
261/DIG. 42, DIG. 65, DIG. 88, DIG. 89;
392/386, 390, 394, 395, 397; 239/34,
239/44, 53, 55, 56, 326; D26/9, 10;
D11/131.1
See application file for complete search history.

- D651,703 S * 1/2012 Ritzenhoff D23/366
- D651,704 S * 1/2012 Ritzenhoff D23/366
- D652,131 S * 1/2012 Ritzenhoff D23/366
- D661,789 S * 6/2012 Brown D23/366
- D711,525 S * 8/2014 Sanders et al. D23/366
- 2009/0039174 A1* 2/2009 Gaines et al. 239/44

* cited by examiner

Primary Examiner — Sandra Snapp

(57) **CLAIM**

I claim, the ornamental design for the electronic incense, as shown and described.

DESCRIPTION

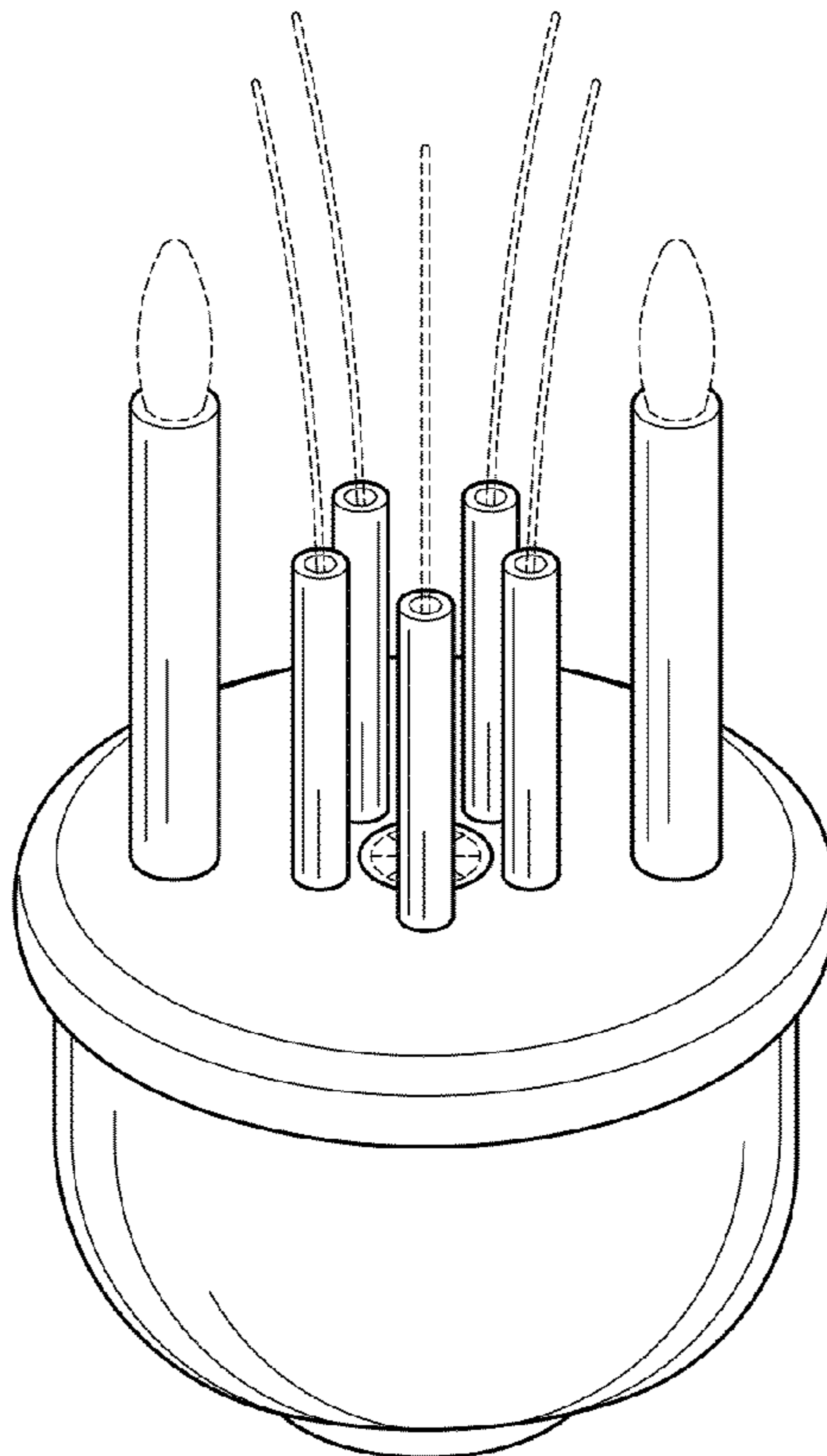
FIG. 1 is a perspective view of the electronic incense showing my new design;
 FIG. 2 is a top plan view of the electronic incense thereof;
 FIG. 3 is a front elevational view of the electronic incense thereof;
 FIG. 4 is a right-side elevational view of the electronic incense thereof;
 FIG. 5 is a left-side elevational view of the electronic incense thereof; and,
 FIG. 6 is a rear elevational view of the electronic incense thereof.
 The broken lines shown in the drawings are for illustrative purposes only and form no part of the claimed design.

1 Claim, 2 Drawing Sheets

(56) **References Cited**

U.S. PATENT DOCUMENTS

- D434,481 S * 11/2000 Bornstein et al. D23/360
- 7,055,764 B1 * 6/2006 Martinez et al. 239/145
- 7,252,244 B2 * 8/2007 Martens, III 239/44
- 7,469,842 B2 * 12/2008 Martens, III 239/44
- D620,574 S * 7/2010 Jorgensen D23/366
- D649,629 S * 11/2011 Ritzenhoff D23/366



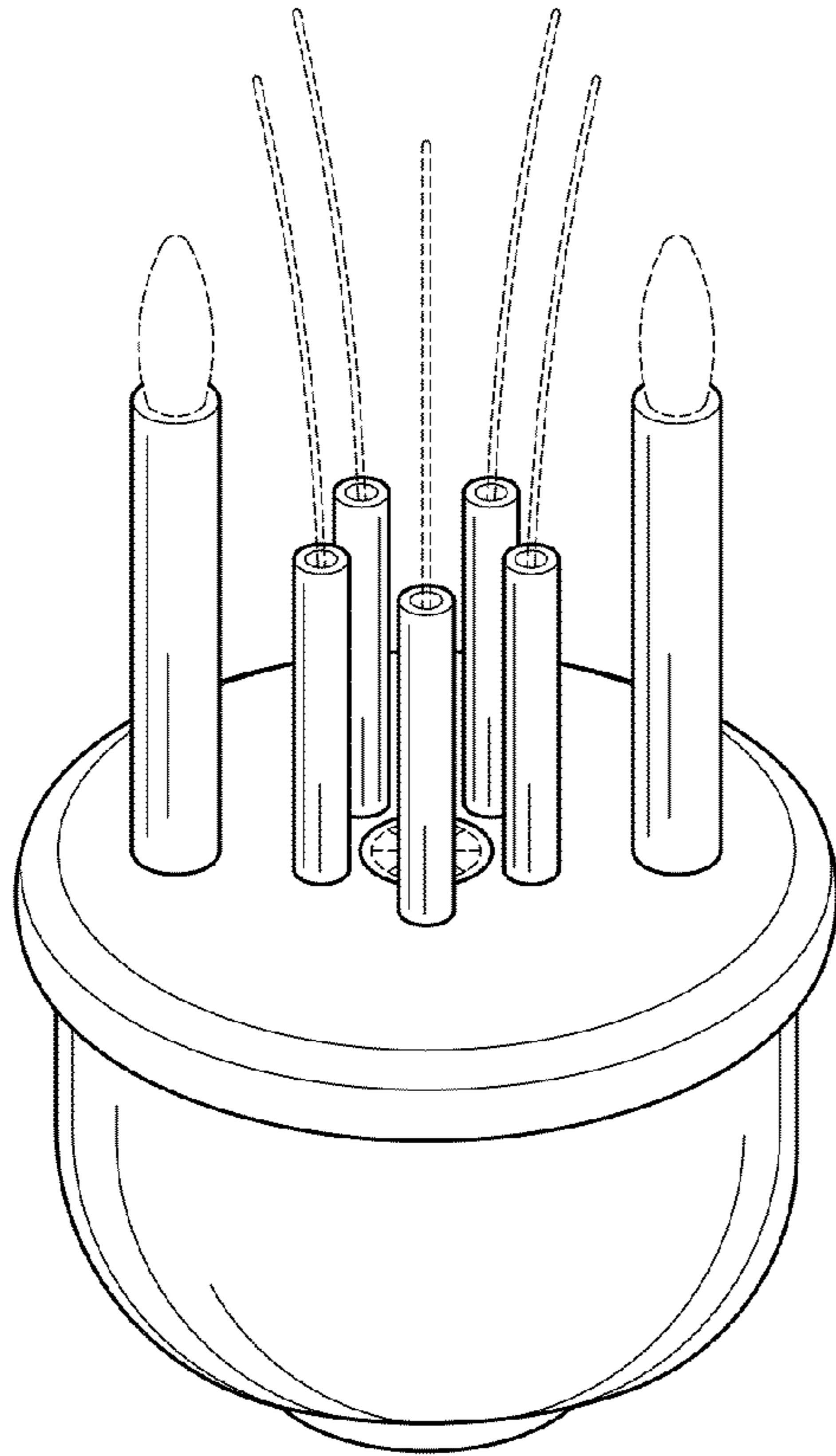


FIG. 1

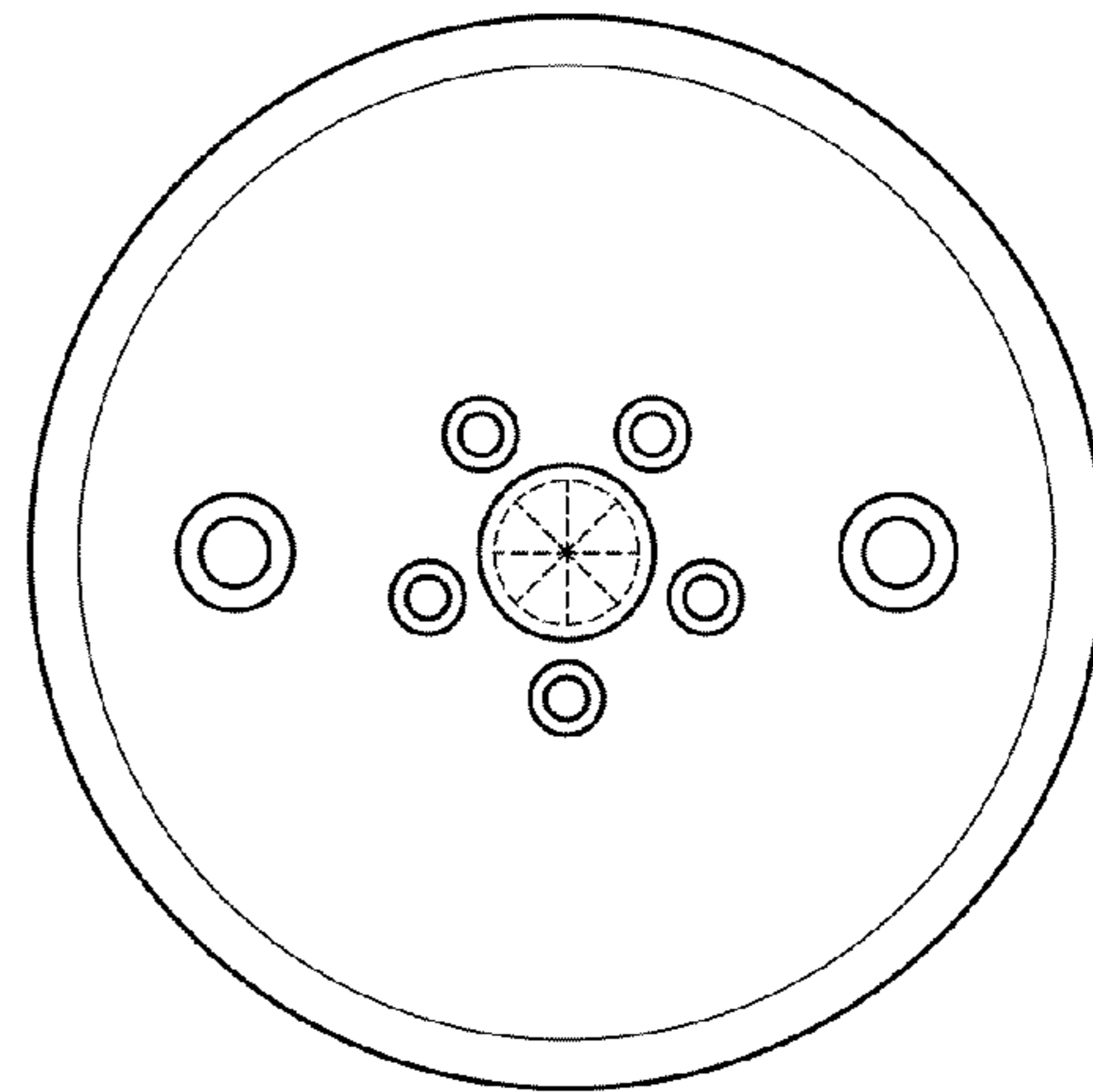


FIG. 2

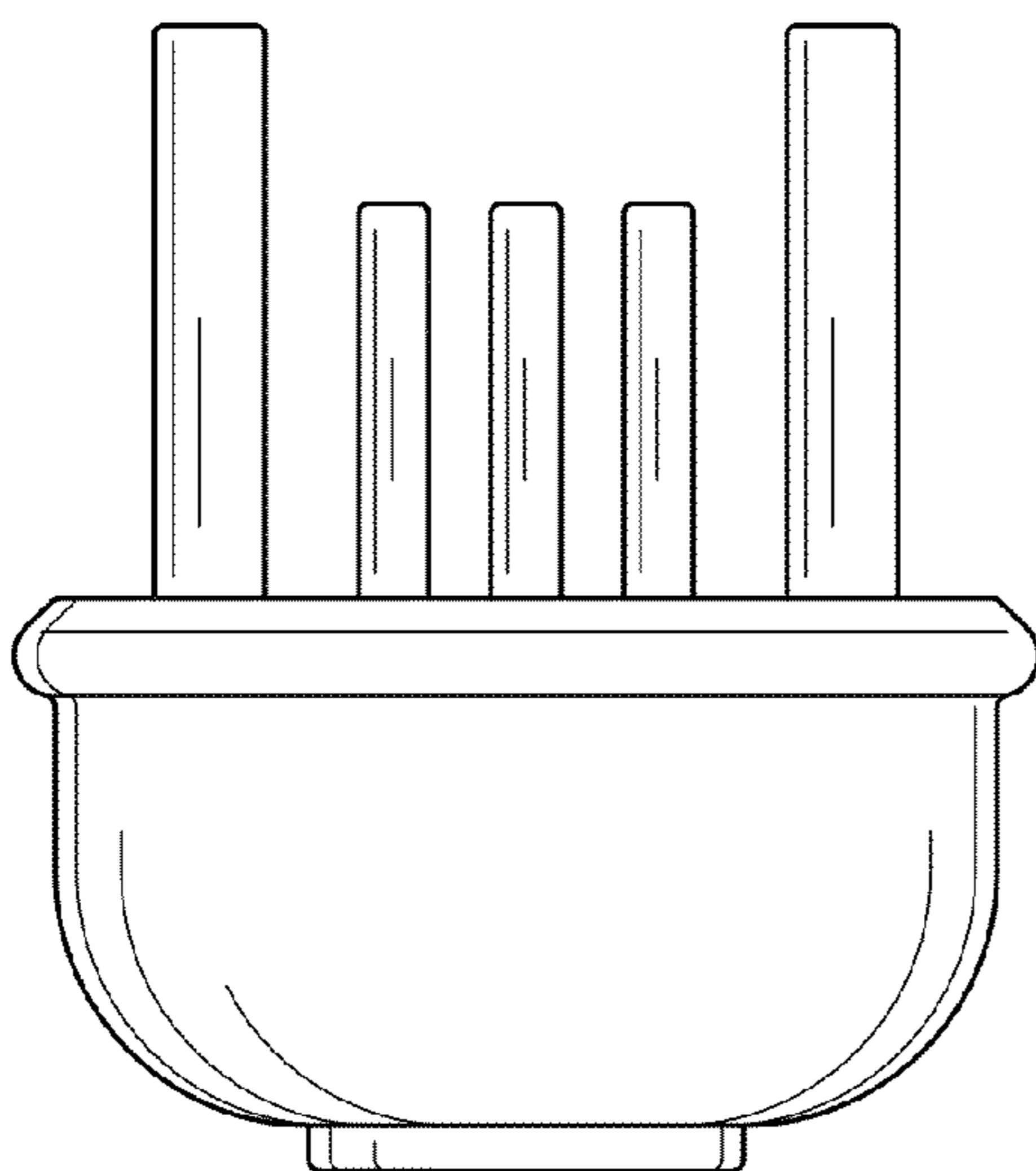


FIG. 3

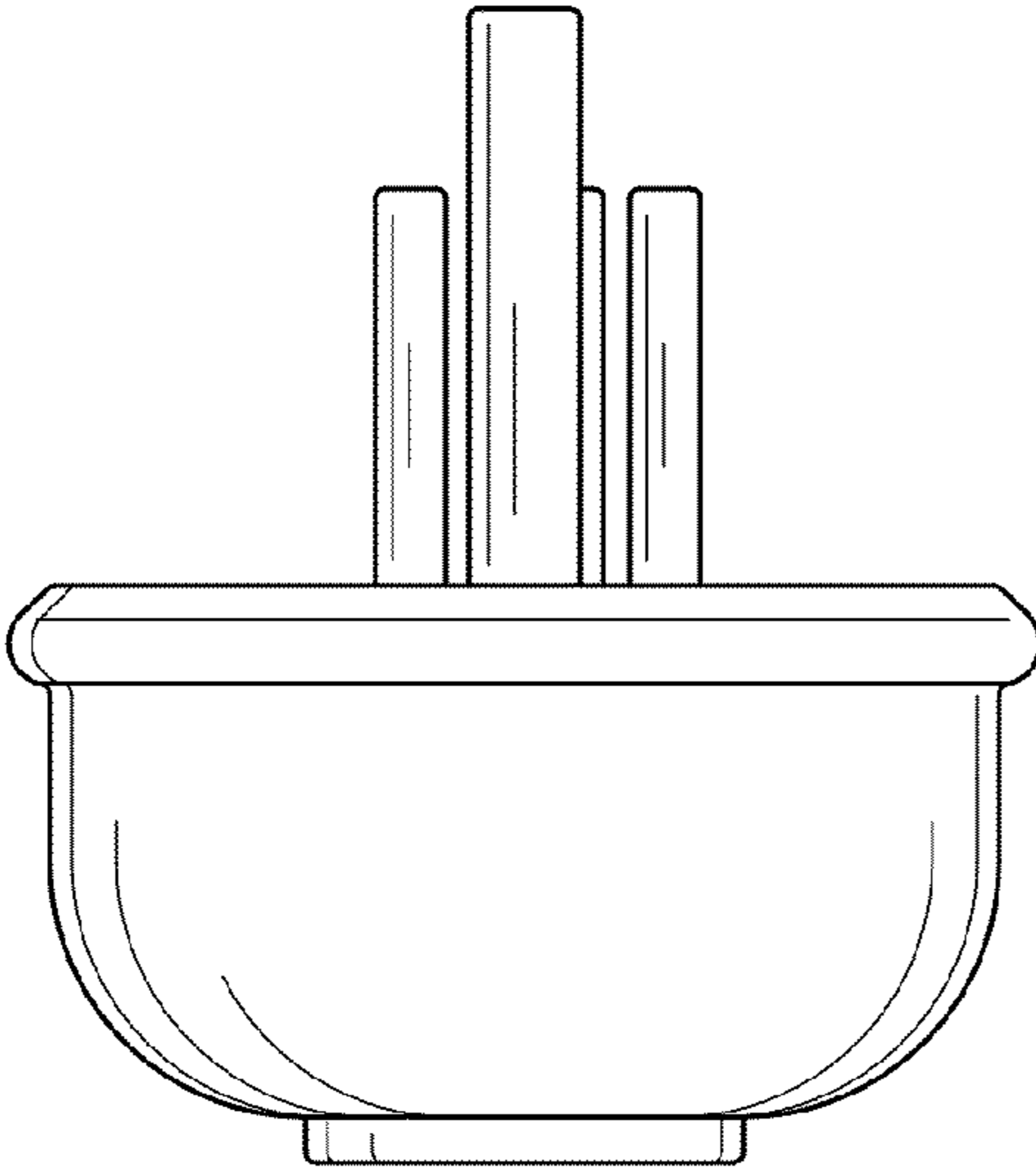


FIG. 4

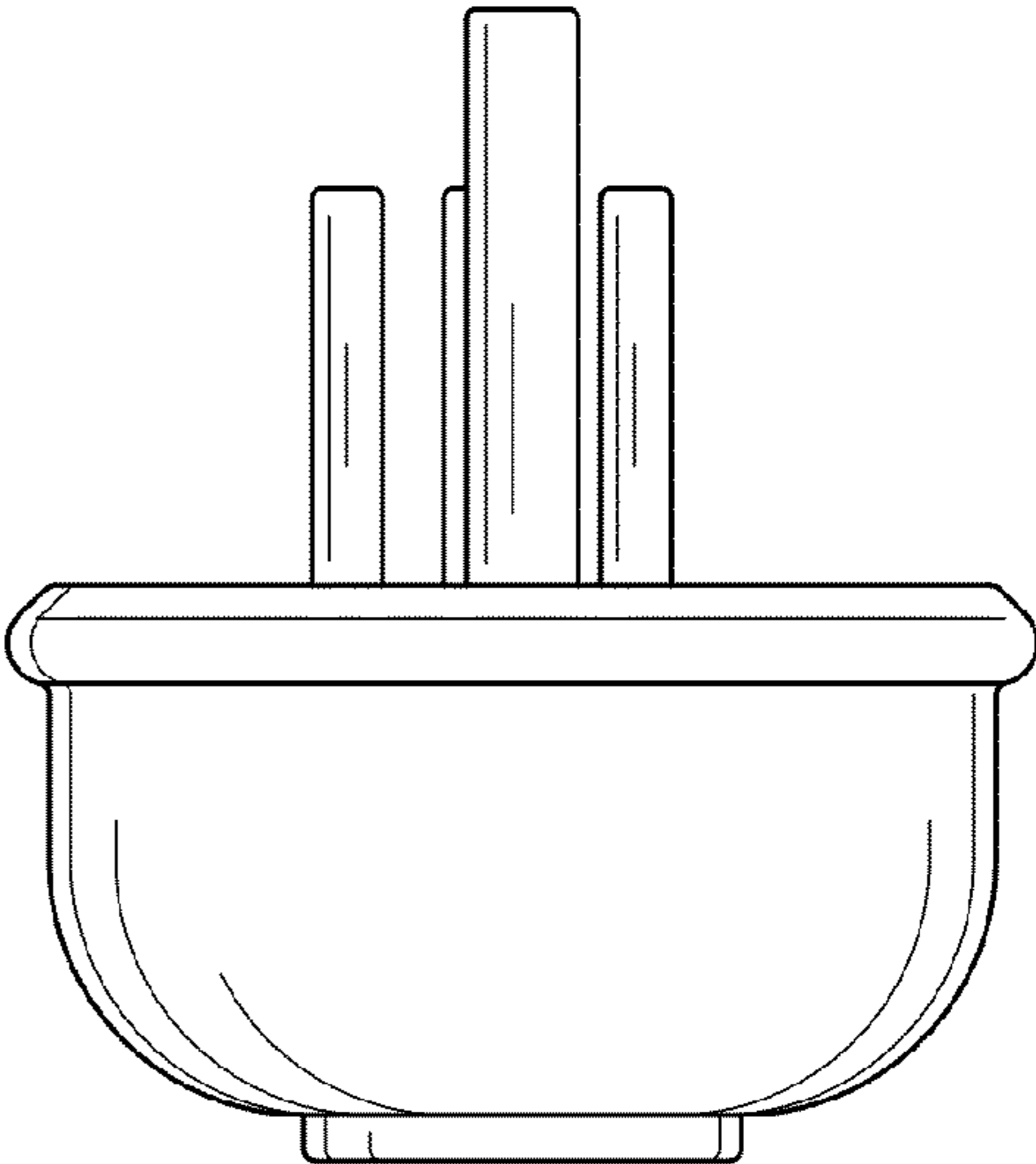


FIG. 5

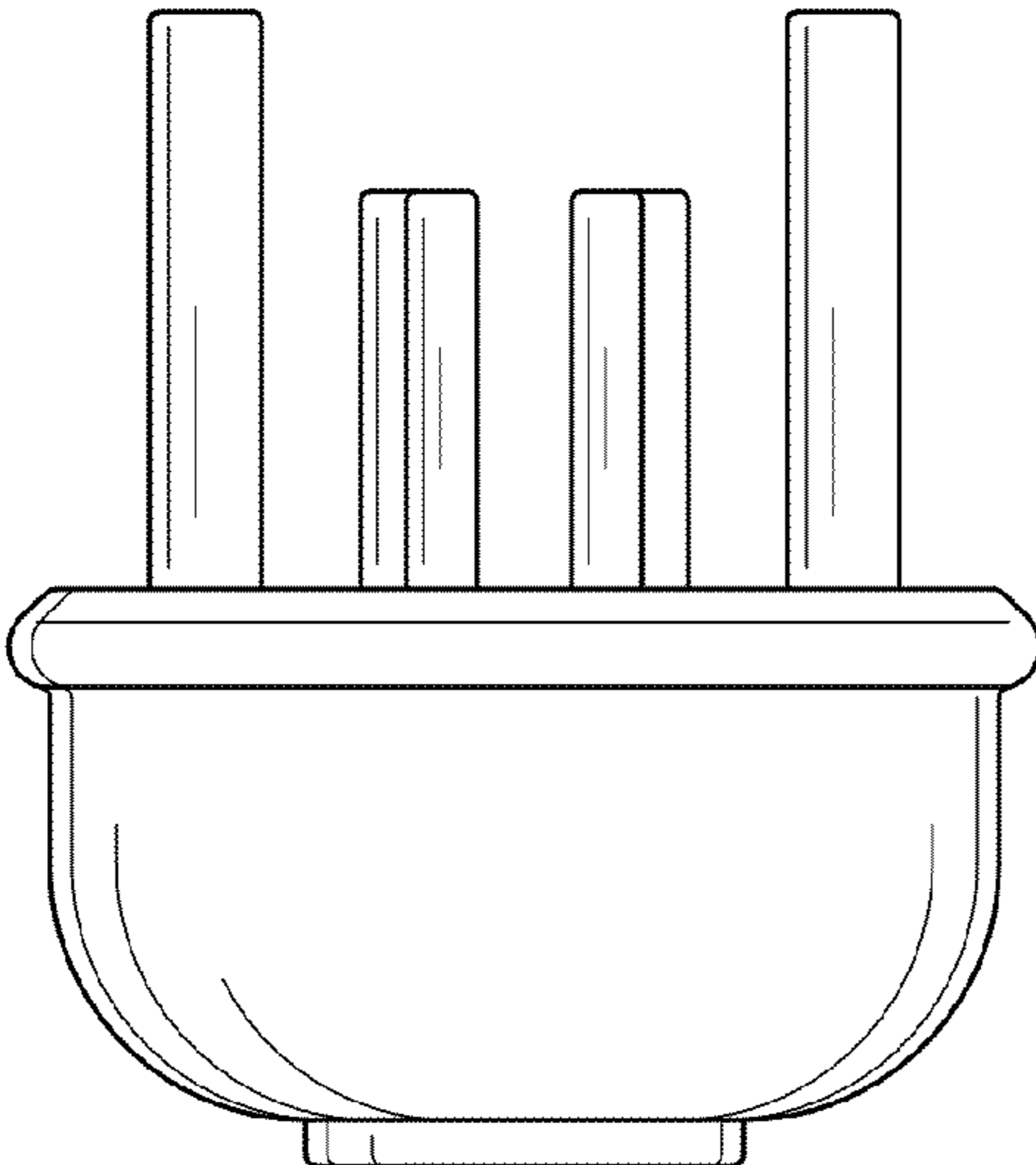


FIG. 6