

US00D725250S

(12) **United States Design Patent**
O'Brien

(10) **Patent No.:** **US D725,250 S**
(45) **Date of Patent:** **** *Mar. 24, 2015**

(54) **BLOWER ASSEMBLY**

(71) Applicant: **TSI Products, Inc.**, Arlington, TX (US)

(72) Inventor: **Stephen William O'Brien**, Fort Worth, TX (US)

(73) Assignee: **TSI Products, Inc.**, Arlington, TX (US)

(*) Notice: This patent is subject to a terminal disclaimer.

(**) Term: **14 Years**

(21) Appl. No.: **29/449,642**

(22) Filed: **Mar. 15, 2013**

(51) **LOC (10) Cl.** **12-13**

(52) **U.S. Cl.**
USPC **D23/325; D23/383**

(58) **Field of Classification Search**
CPC B60H 1/00528; B60H 3/06; B60H 1/0002;
F24F 1/0007; F24F 13/20; F04D 17/04;
H02K 5/24
USPC D23/351, 354, 364, 365, 370, 381-387,
D23/393, 499, 335, 324-328; 415/208.1,
415/108, 129-128, 196, 203-206,
415/213.1-215.1, 94; 416/158, 178;
454/349, 354, 329, 139, 145; 417/411,
417/423.5; D8/29.1, 29.2, 30; D32/15;
D28/13, 15; D24/110; 62/244, 419,
62/426; D12/400

See application file for complete search history.

(56) **References Cited**

U.S. PATENT DOCUMENTS

D118,964 S * 2/1940 Redmond D23/326
3,231,176 A * 1/1966 Bowen 417/350
3,303,666 A * 2/1967 Toper 62/426
D208,404 S * 8/1967 Dixon D23/325
D216,023 S * 11/1969 Dixon D23/325
D216,886 S * 3/1970 Meyers D23/325

D221,148 S * 7/1971 Cary D23/325
3,846,040 A * 11/1974 Dennis 415/204
3,874,191 A * 4/1975 Hudson 62/426
D247,306 S * 2/1978 Magee D23/325
4,171,190 A * 10/1979 Hudson 417/350
D290,747 S * 7/1987 Tigner et al. D23/325
5,308,224 A * 5/1994 Olivero et al. 415/53.1
D363,980 S * 11/1995 Roach D23/325
5,474,422 A * 12/1995 Sullivan 415/206
D367,925 S * 3/1996 Smilo D23/370
D380,043 S * 6/1997 Chiu et al. D23/370
D447,795 S * 9/2001 Hudson D23/327
6,385,984 B2 * 5/2002 Aoki 62/244
6,651,453 B2 * 11/2003 Klingler et al. 62/244

(Continued)

OTHER PUBLICATIONS

K3G097 Power (emb-Papst). embpapst.com. [online] 1 page. Uploaded Oct. 28, 2009 [retrieved on Nov. 4, 2014]. Retrieved from Internet: <http://www.embpapst.com/de/press/press_releases/press_archive/press_archive_detail_1355.php>.*

Primary Examiner — Susan Bennett Hattan
Assistant Examiner — Marie Fast Horse
(74) *Attorney, Agent, or Firm* — Hitchcock Evert LLP

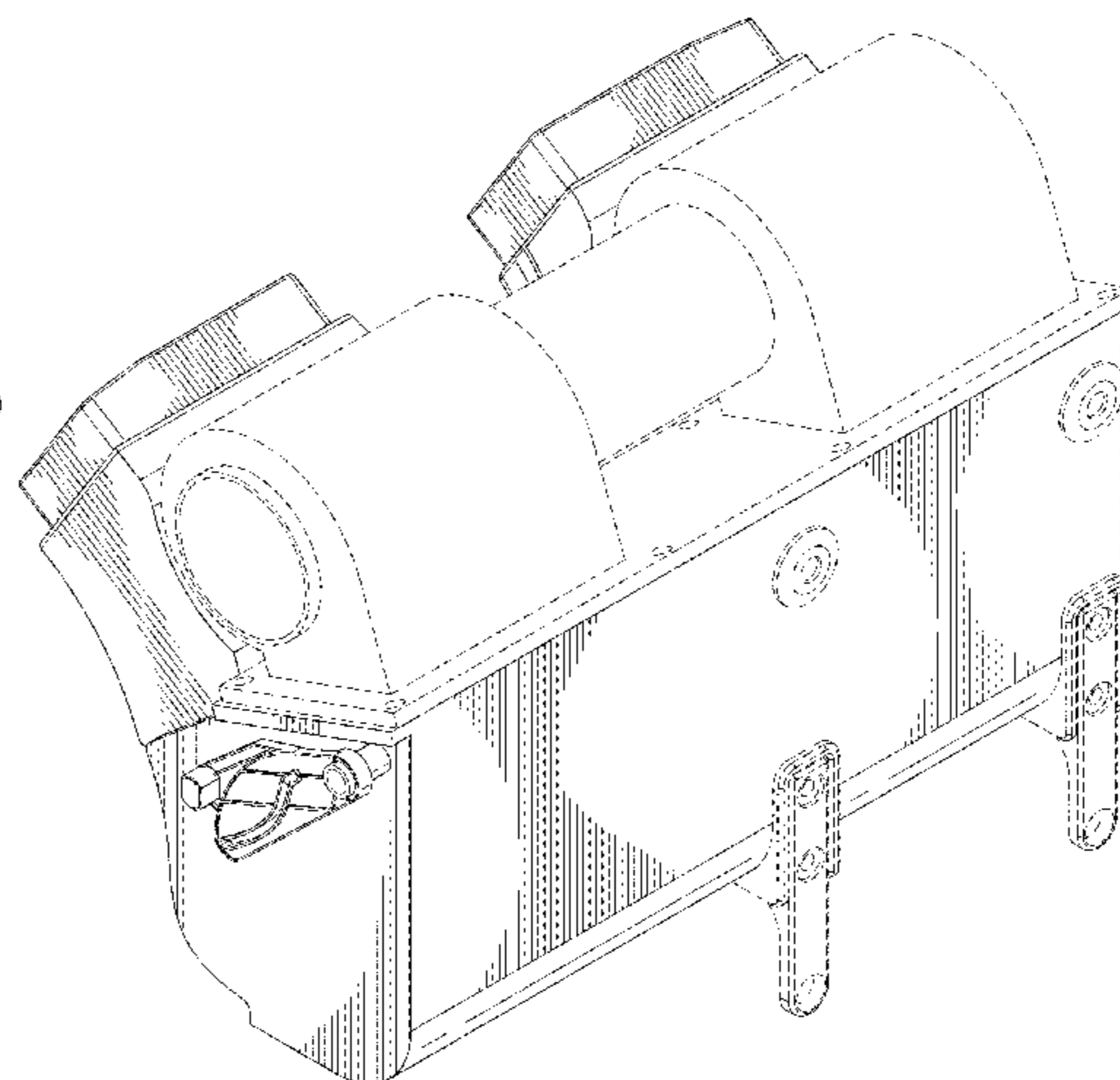
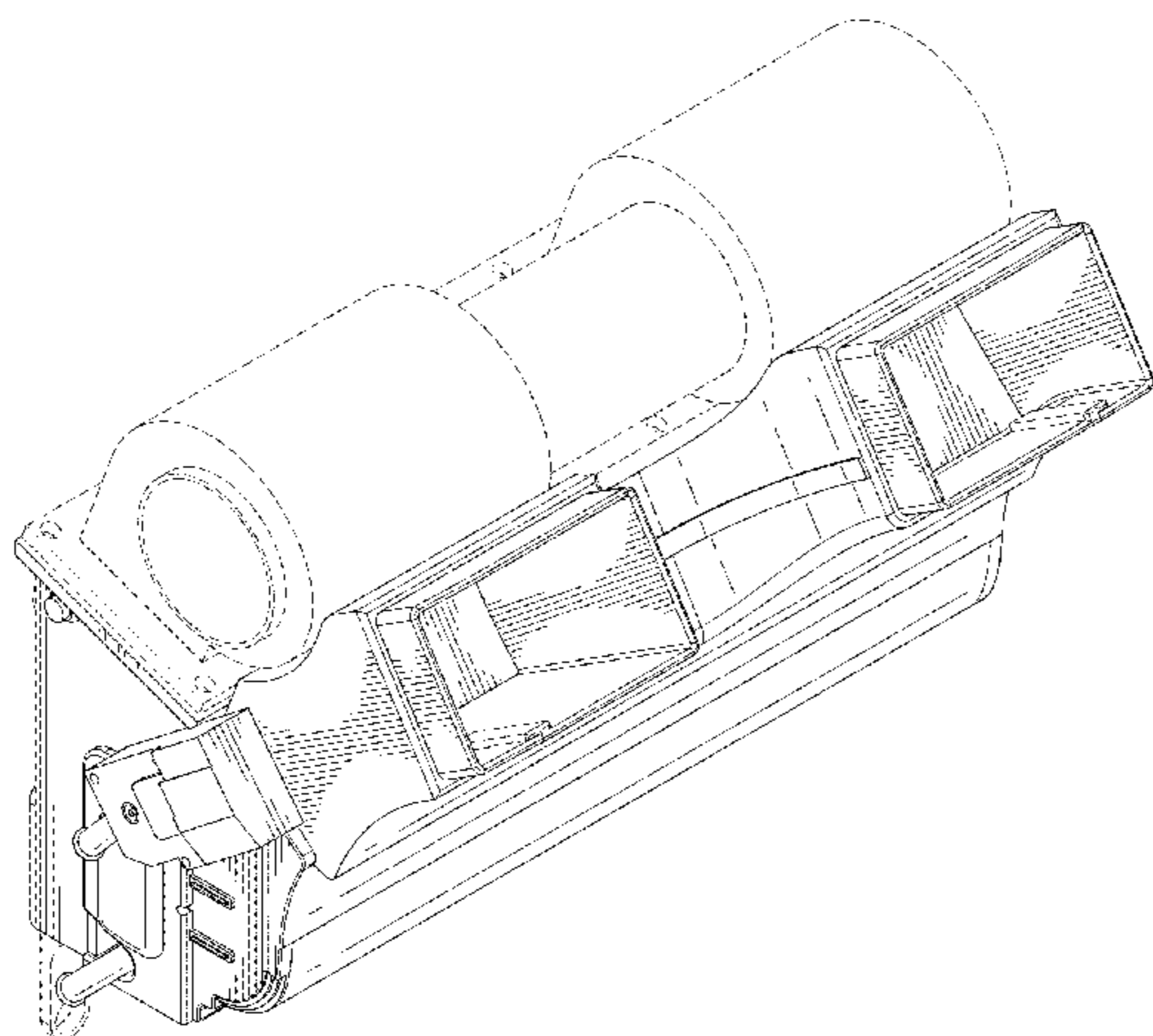
(57) **CLAIM**

The ornamental design for a blower assembly, as shown and described.

DESCRIPTION

FIG. 1 is a perspective view from the top-right of the blower assembly;
FIG. 2 is a back view thereof;
FIG. 3 is a front view thereof;
FIG. 4 is a left side view thereof;
FIG. 5 is a right side view thereof;
FIG. 6 is a top view thereof; and
FIG. 7 is a bottom view thereof; and,
FIG. 8 is a perspective view from the top-left thereof.
The broken lines depict parts of the blower assembly that form no part of the claimed design.

1 Claim, 8 Drawing Sheets



(56)

References Cited

U.S. PATENT DOCUMENTS

D512,500 S *	12/2005	Wilson, Jr.	D23/383	8,240,164 B2 *	8/2012	Tokunaga et al.	62/244
D512,501 S *	12/2005	Wilson, Jr.	D23/383	D687,137 S *	7/2013	Nemes	D23/332
D537,517 S *	2/2007	Hancock	D23/383	2003/0136139 A1 *	7/2003	Matsunaga et al.	62/244
D546,438 S *	7/2007	Demirdjian et al.	D23/383	2003/0143941 A1 *	7/2003	Fujiwara	454/139
D593,192 S *	5/2009	Spaggiari	D23/370	2006/0245920 A1 *	11/2006	Hou	415/206
D609,323 S *	2/2010	Spaggiari	D23/370	2011/0138844 A1 *	6/2011	Yamada et al.	62/419
				2012/0076648 A1 *	3/2012	McBride et al.	415/204
				2013/0101449 A1 *	4/2013	Dickinson et al.	417/423.7
				2014/0271166 A1 *	9/2014	Ghosh et al.	415/204

* cited by examiner

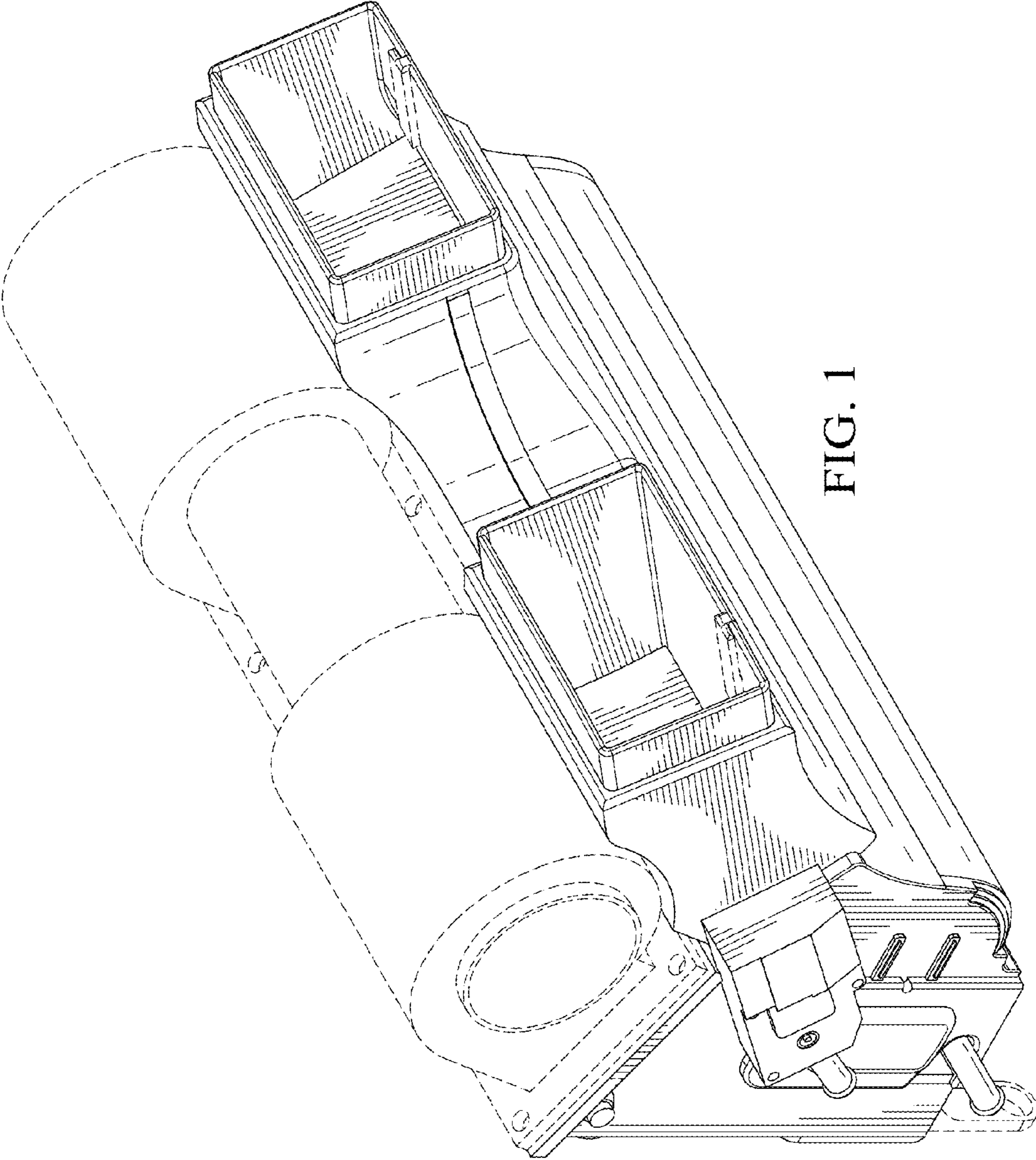


FIG. 1

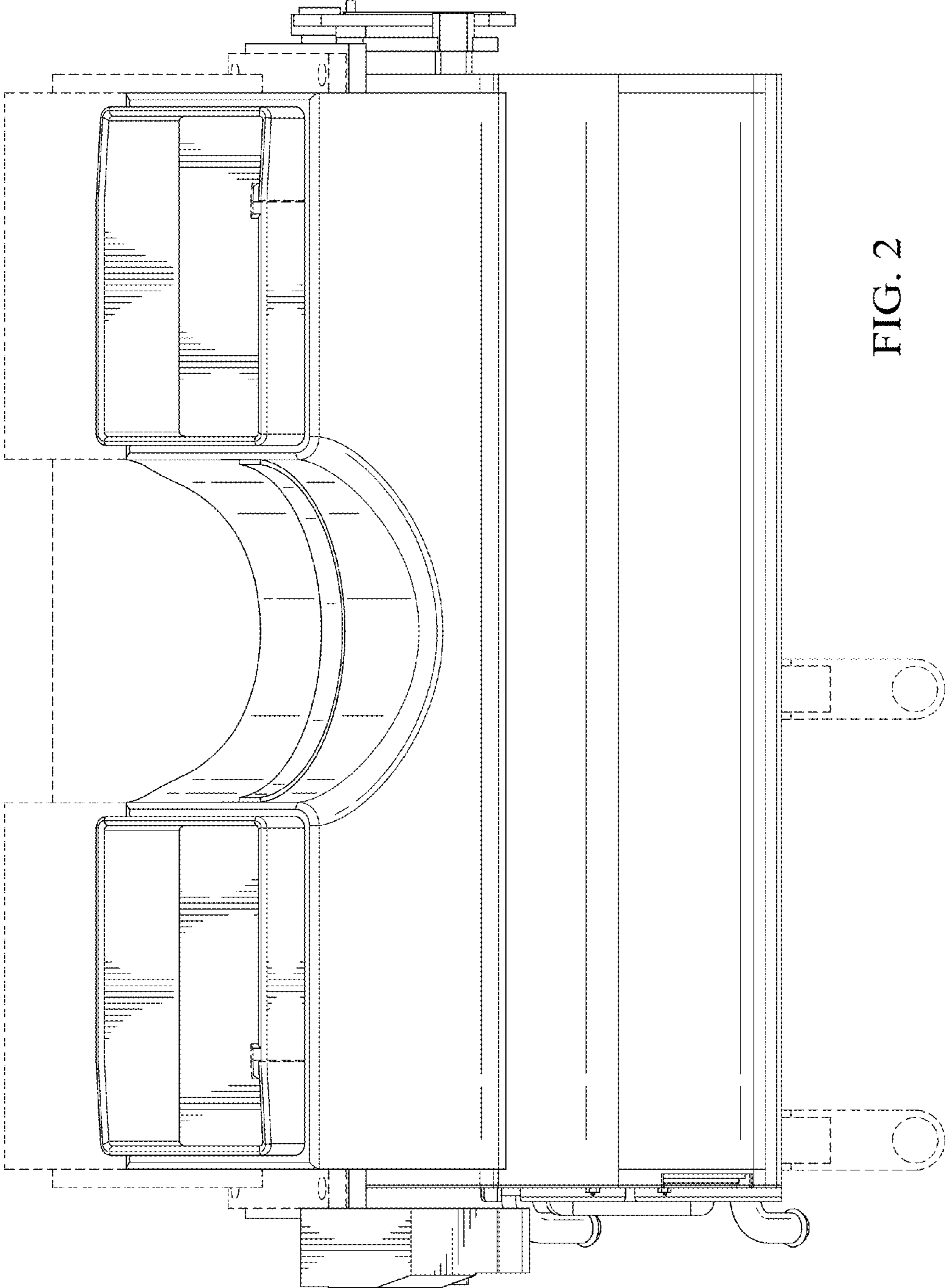


FIG. 2

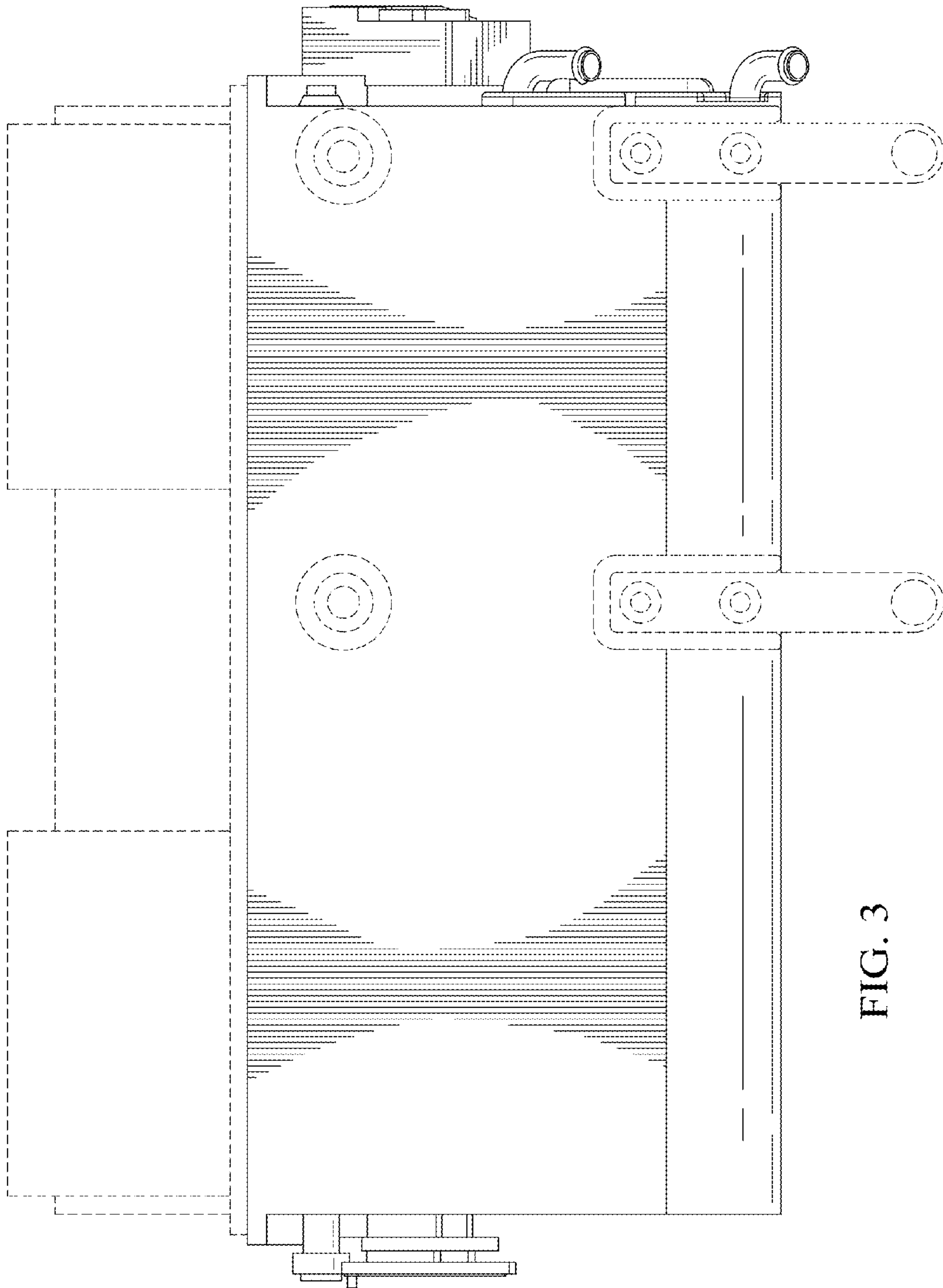


FIG. 3

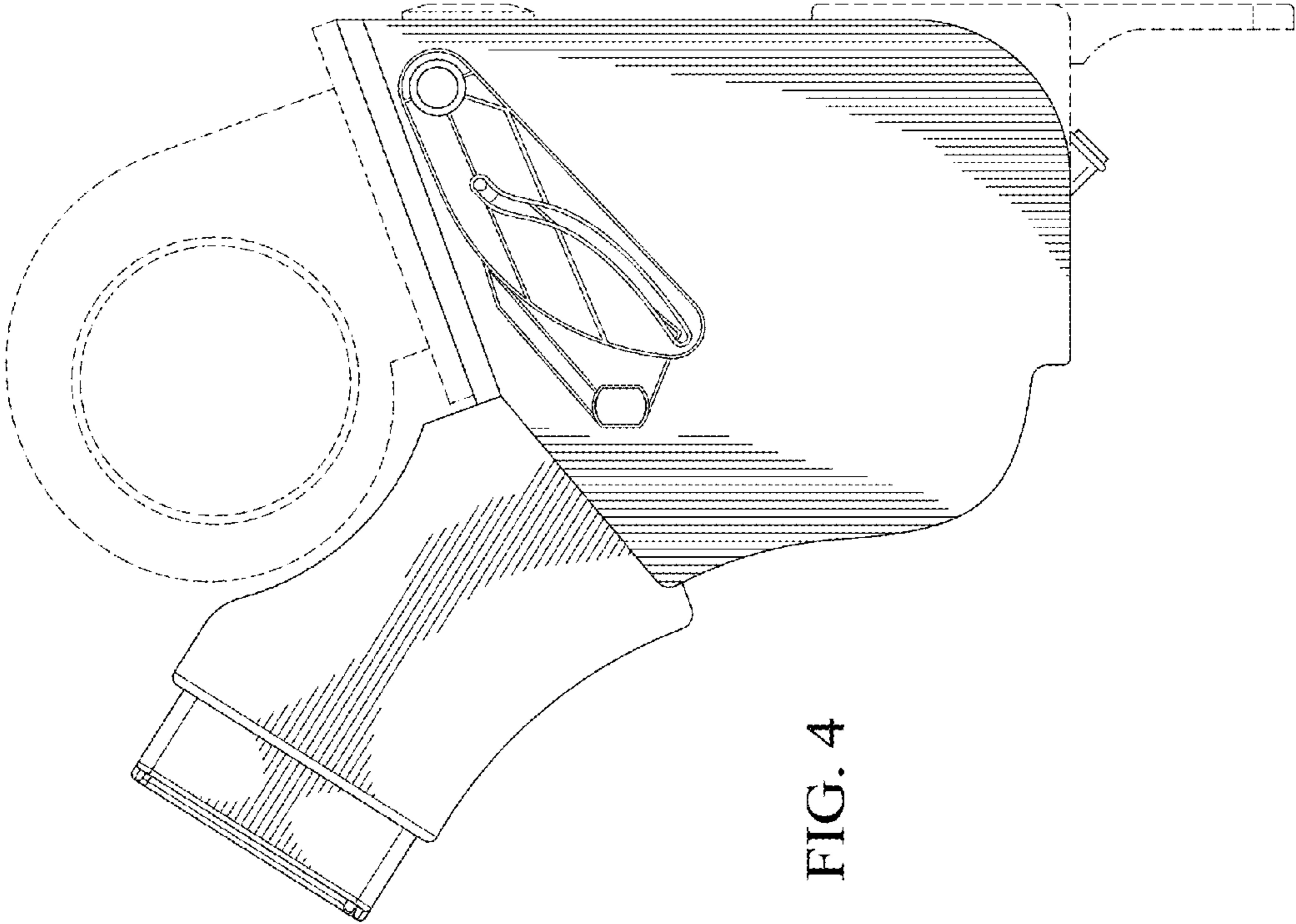


FIG. 4

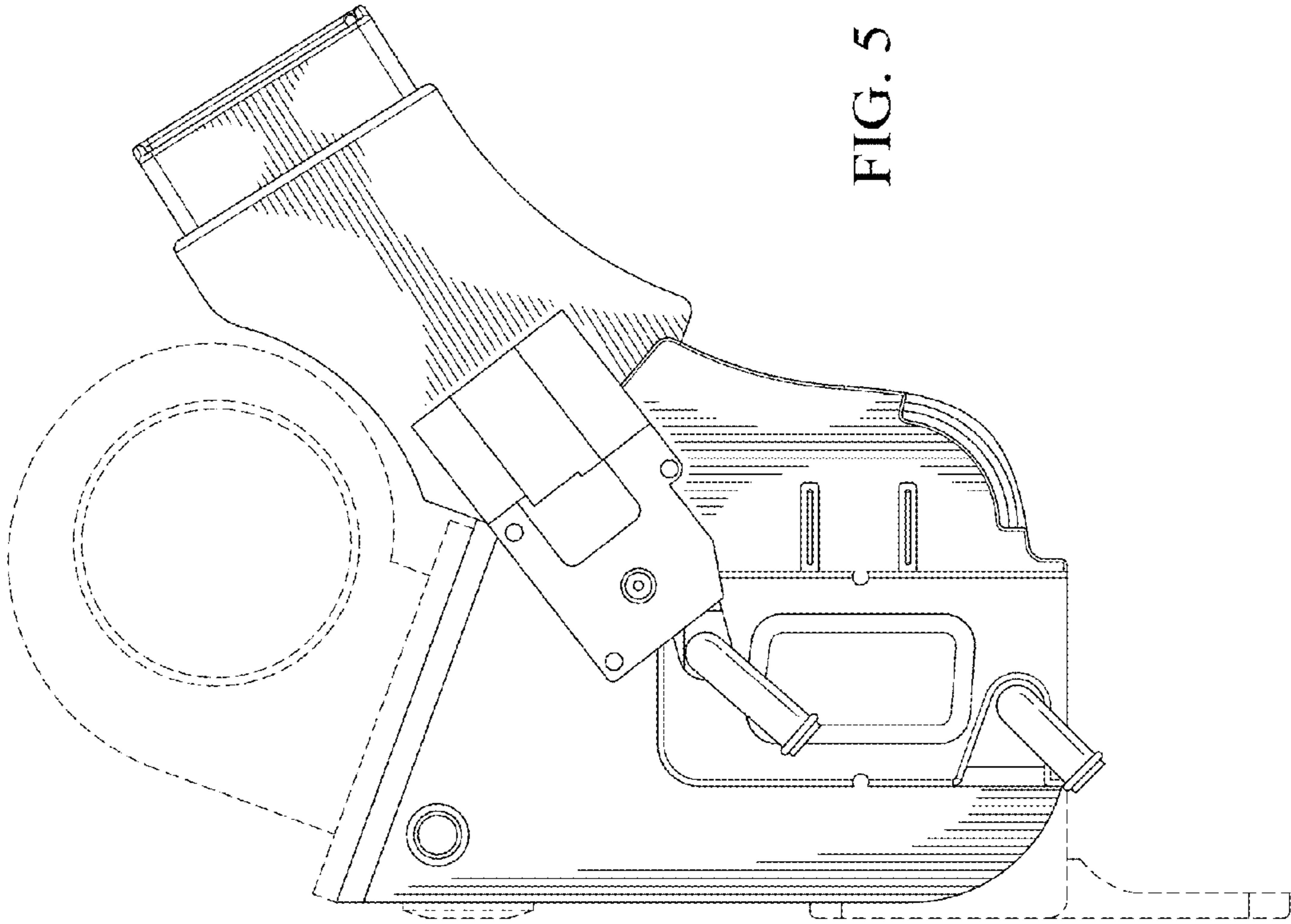


FIG. 5

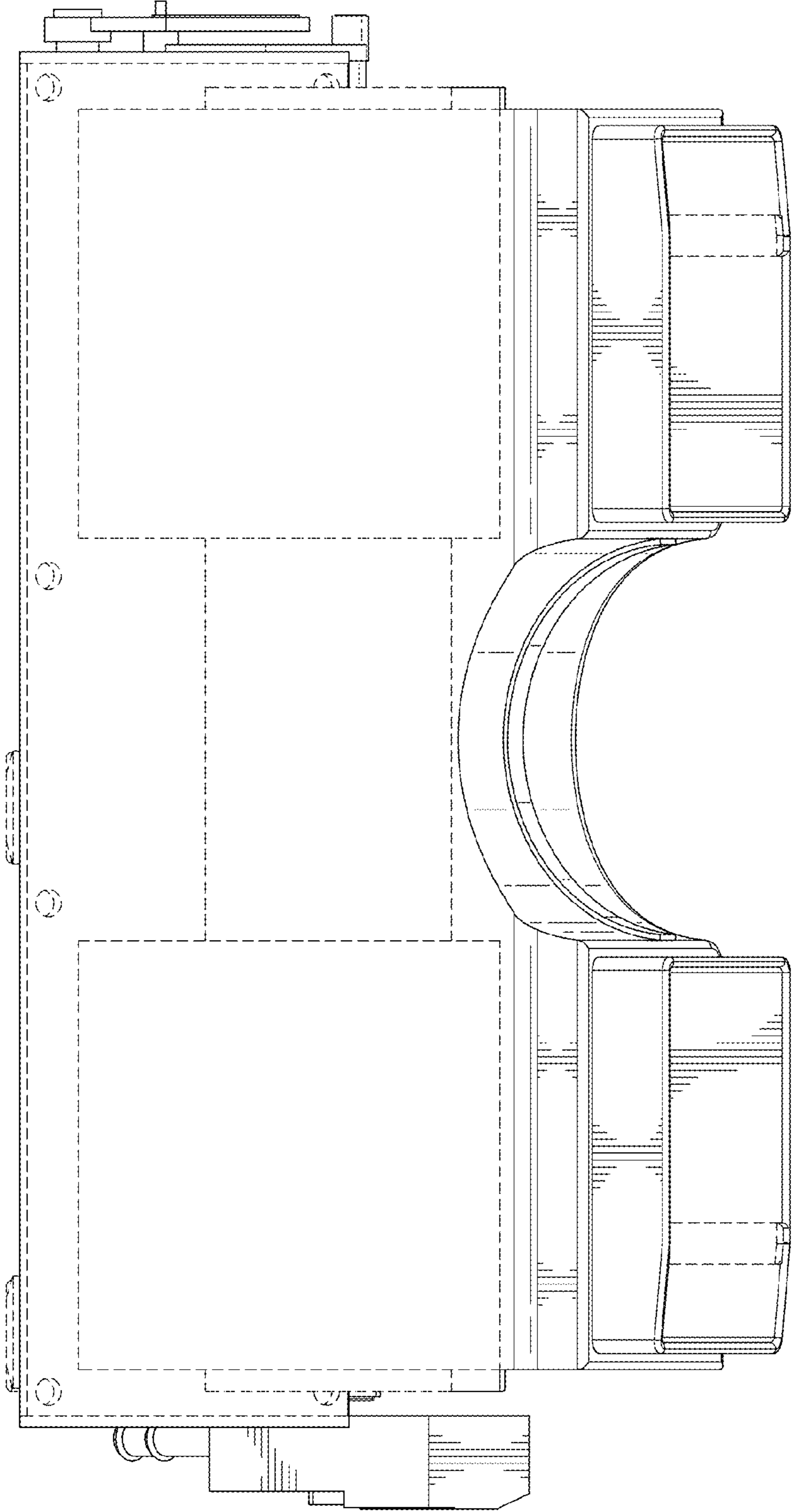


FIG. 6

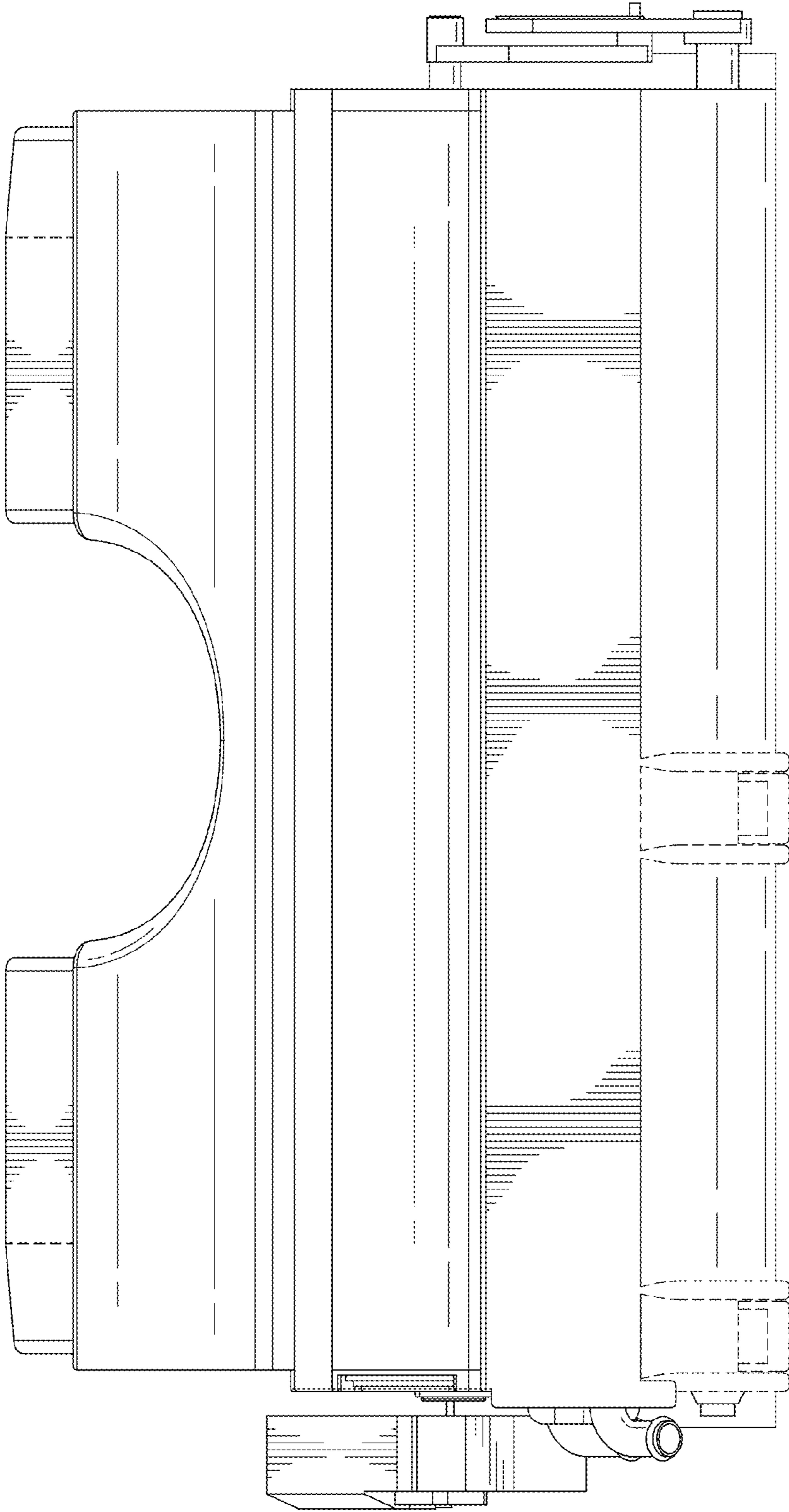


FIG. 7

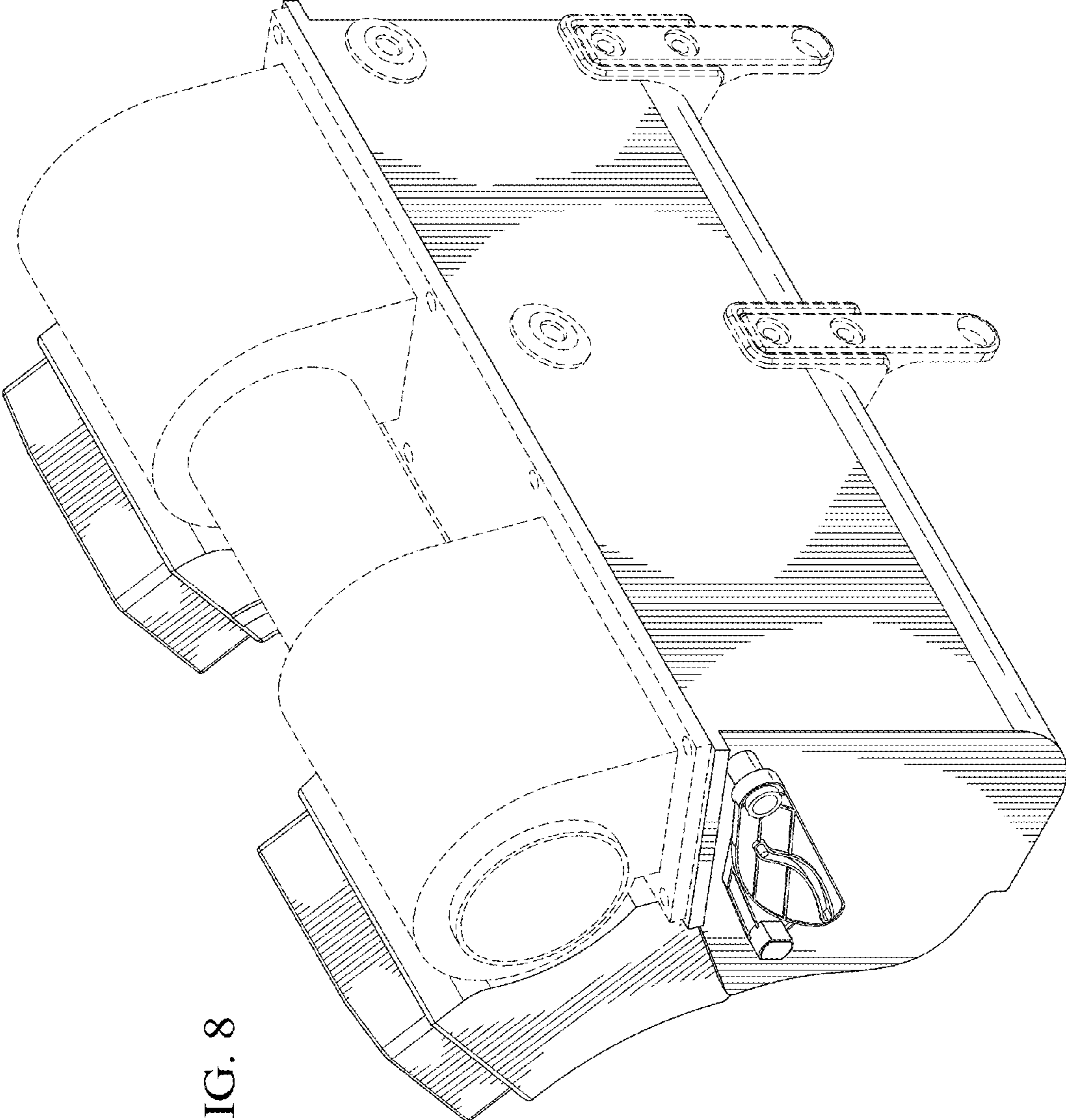


FIG. 8